



US00D874562S

(12) **United States Design Patent** (10) **Patent No.:** **US D874,562 S**
Shirane et al. (45) **Date of Patent:** **** Feb. 4, 2020**

(54) **COPYING MACHINE**

(71) Applicants: **Ryuichi Shirane**, Ohta-ku (JP); **Yuki Sato**, Ohta-ku (JP)

(72) Inventors: **Ryuichi Shirane**, Ohta-ku (JP); **Yuki Sato**, Ohta-ku (JP)

(73) Assignee: **Ricoh Company, Ltd.**, Tokyo (JP)

(**) Term: **15 Years**

(21) Appl. No.: **29/667,455**

(22) Filed: **Oct. 22, 2018**

(30) **Foreign Application Priority Data**

Apr. 24, 2018 (JP) 2018-008998

(51) **LOC (12) Cl.** **16-03**

(52) **U.S. Cl.**
USPC **D18/39; D18/40**

(58) **Field of Classification Search**
USPC D18/36, 38, 39, 50, 53, 40
CPC .. G06K 15/12; G06K 15/14; B41J 3/28; B41J 3/445; B41J 3/46; B41J 11/00; B41J 15/00; B41J 15/12; B41J 15/42
See application file for complete search history.

(56) **References Cited**

U.S. PATENT DOCUMENTS

D320,808 S * 10/1991 Ishida D18/37
D433,439 S * 11/2000 Yoshida D14/421
D443,887 S * 6/2001 Ogawa D18/39
D486,851 S * 2/2004 Ohashi D18/39
D538,330 S * 3/2007 Hatanaka D18/39
D687,089 S * 7/2013 Nagano D18/39

D764,576 S * 8/2016 Cho D18/53
2016/0144645 A1 * 5/2016 Moro G03G 15/6585
358/2.1
2019/0273833 A1 * 9/2019 Sato H04N 1/00631

FOREIGN PATENT DOCUMENTS

JP 2007-078994 3/2007
JP D1545689 3/2016

* cited by examiner

Primary Examiner — Barbara Fox

Assistant Examiner — J. Thorn, Sr.

(74) *Attorney, Agent, or Firm* — Oblon, McClelland, Maier & Neustadt, L.L.P.

(57) **CLAIM**

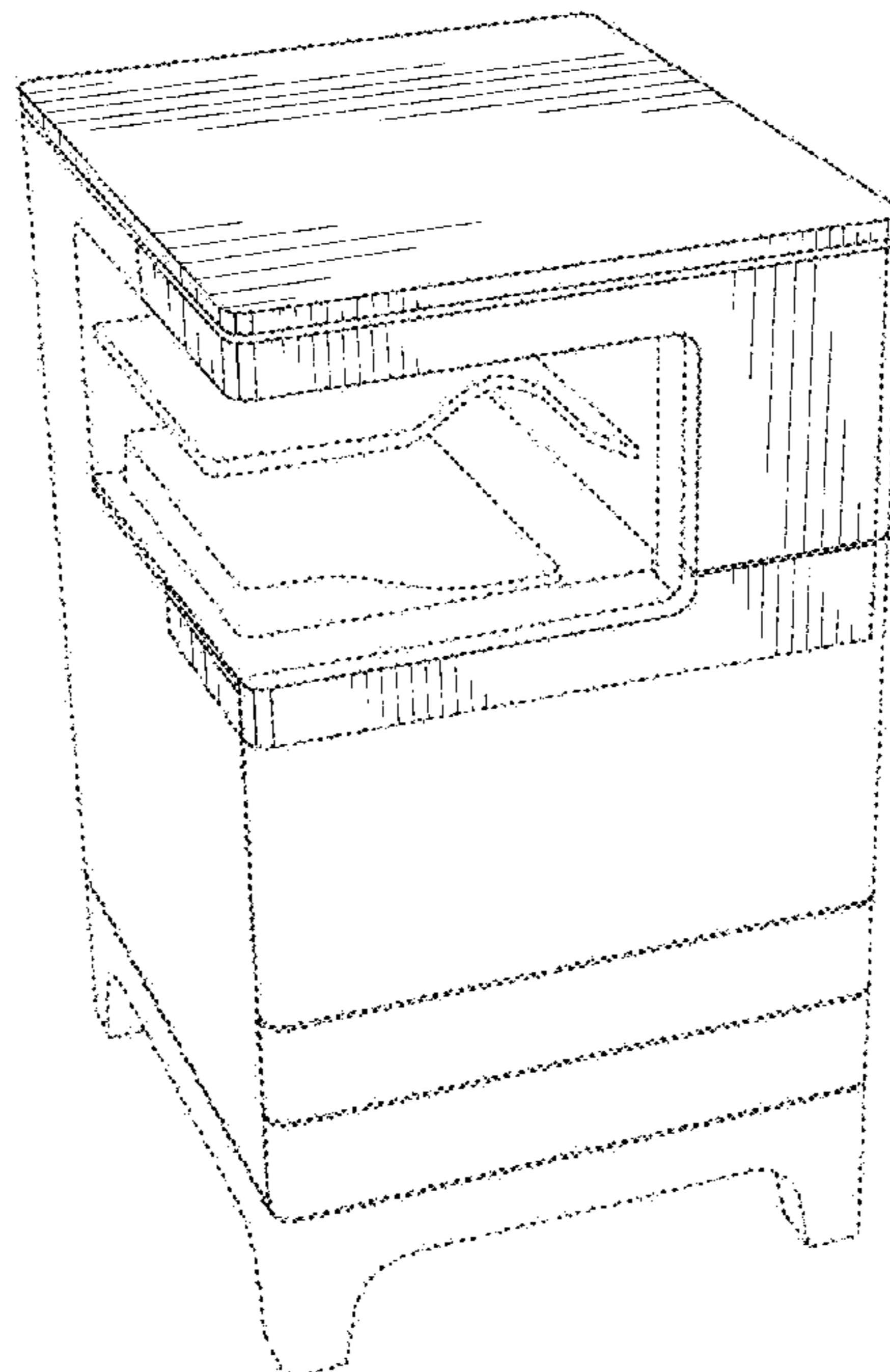
The ornamental design for a copying machine, as shown and described.

DESCRIPTION

FIG. 1 is a front, top, and left side perspective view of a copying machine;
FIG. 2 is a front, top, and right side perspective view thereof;
FIG. 3 is a front elevational view thereof;
FIG. 4 is a rear elevational view thereof;
FIG. 5 is a top plan view thereof;
FIG. 6 is a bottom plan view thereof;
FIG. 7 is a right side elevational view thereof; and,
FIG. 8 is a left side elevational view thereof.

The broken lines shown in the figures are for the purpose of illustrating portions of the copying machine that form no part of the claimed design. The dot-dash lines shown in the figures represent a boundary line that forms no part of the claimed design.

1 Claim, 8 Drawing Sheets



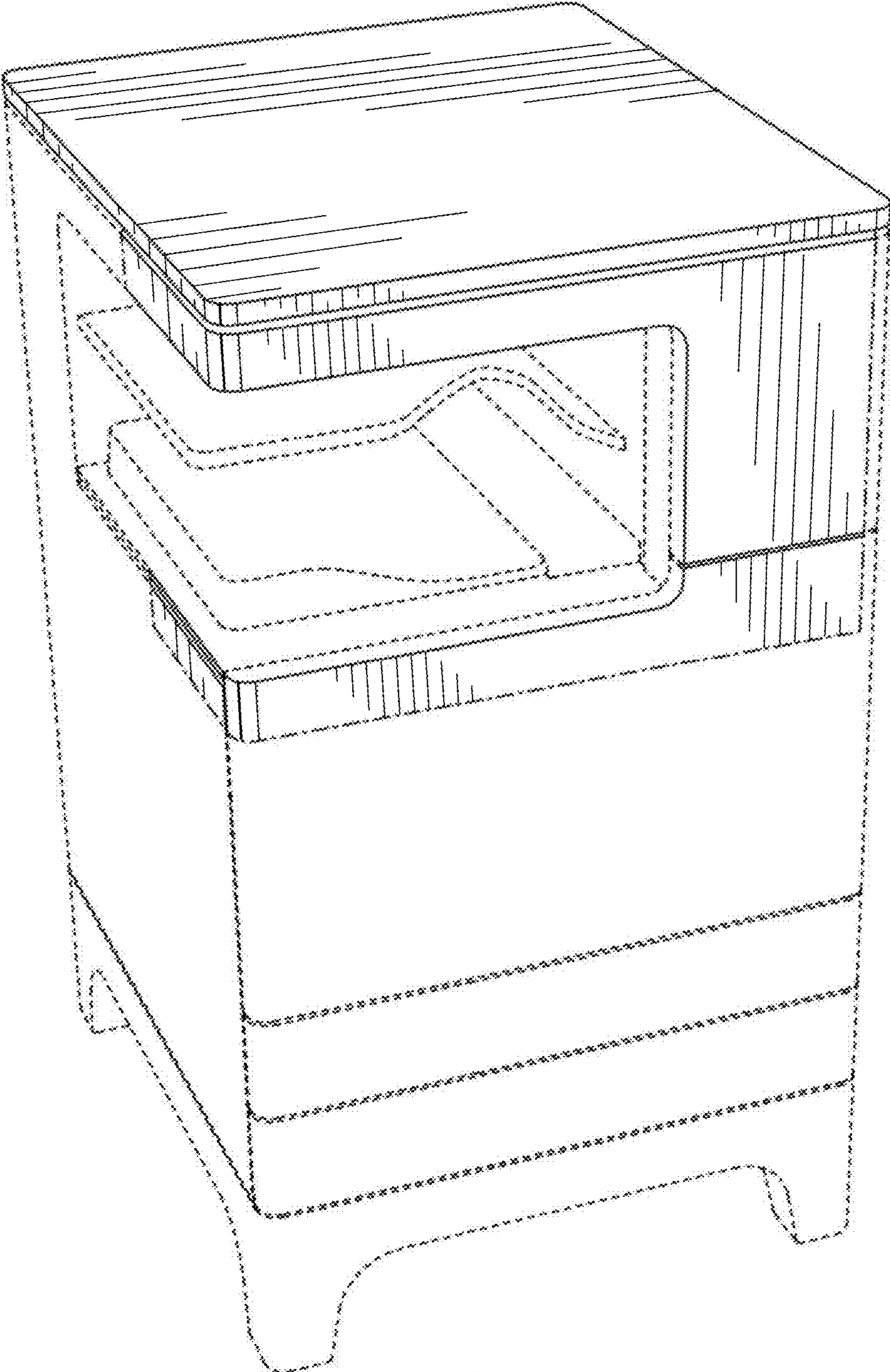


FIG. 1

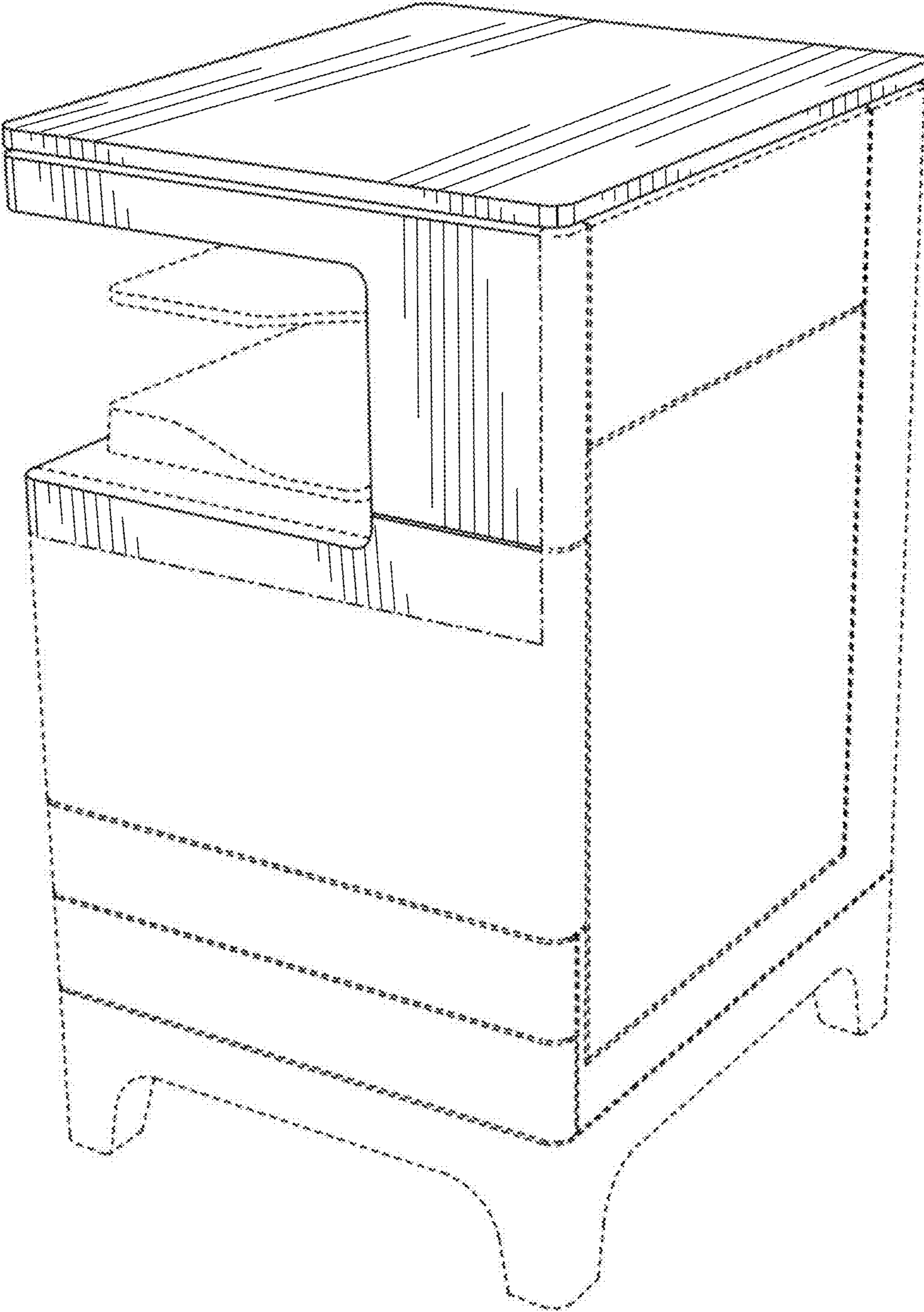


FIG. 2

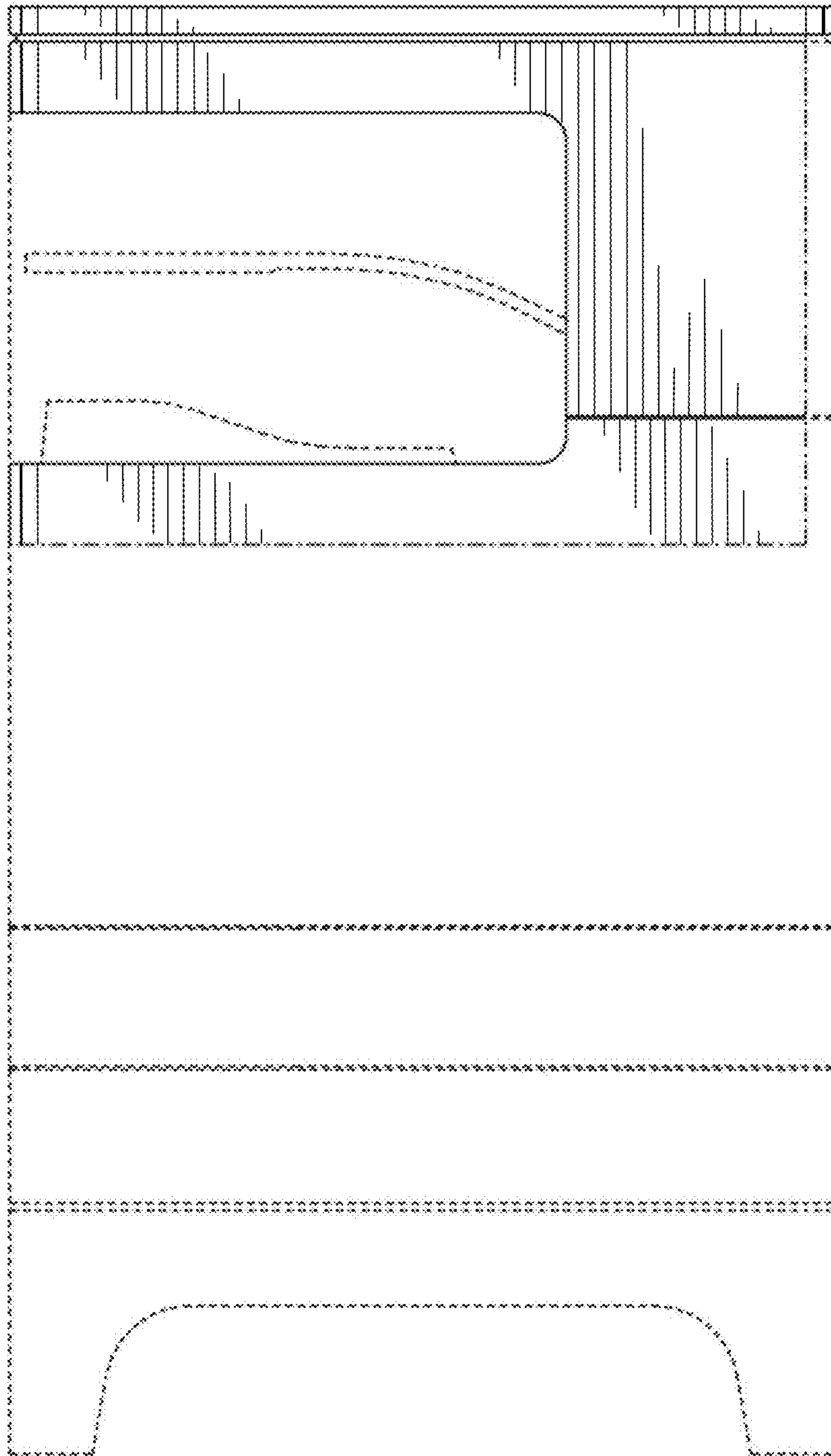


FIG. 3

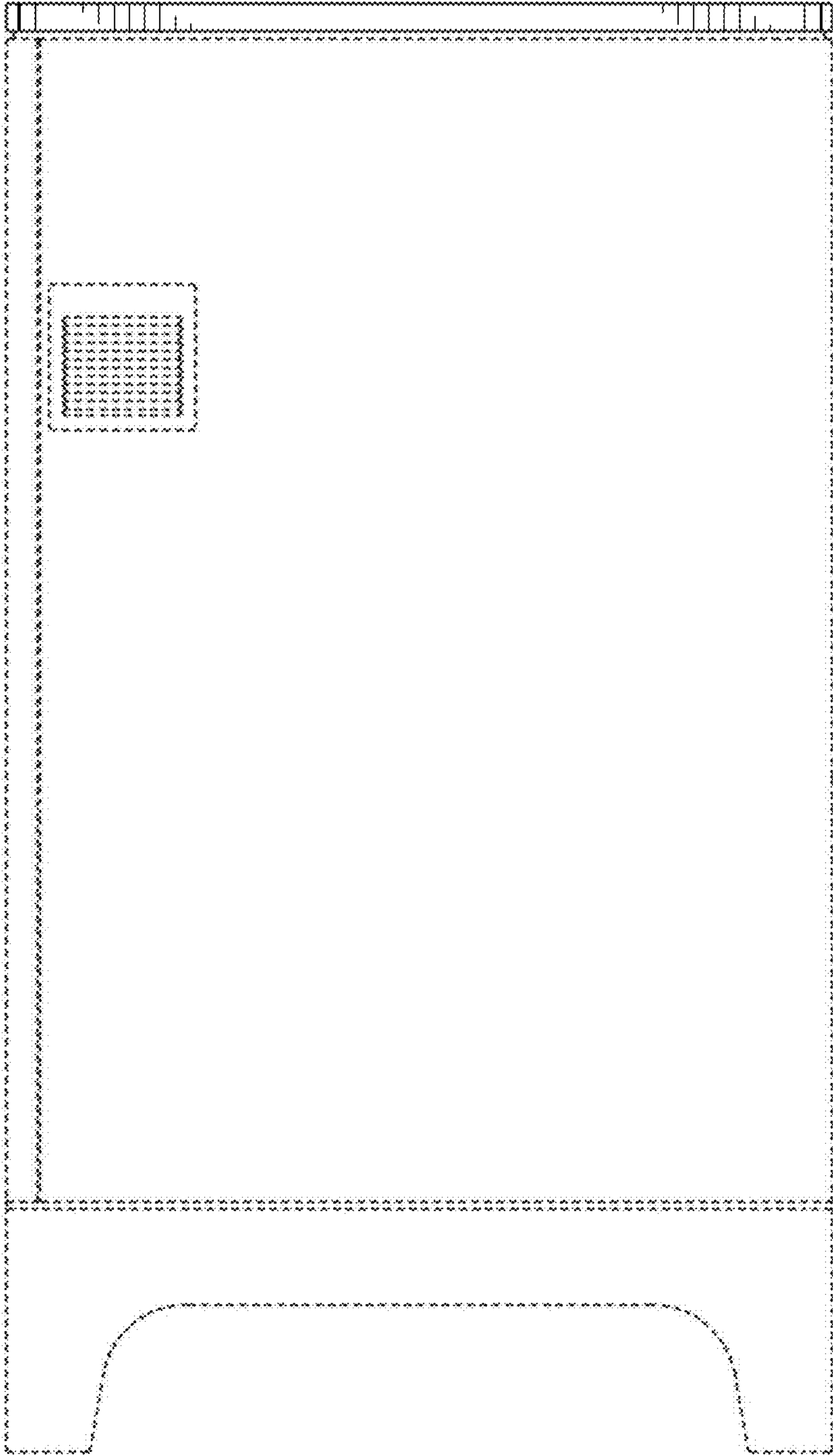


FIG. 4

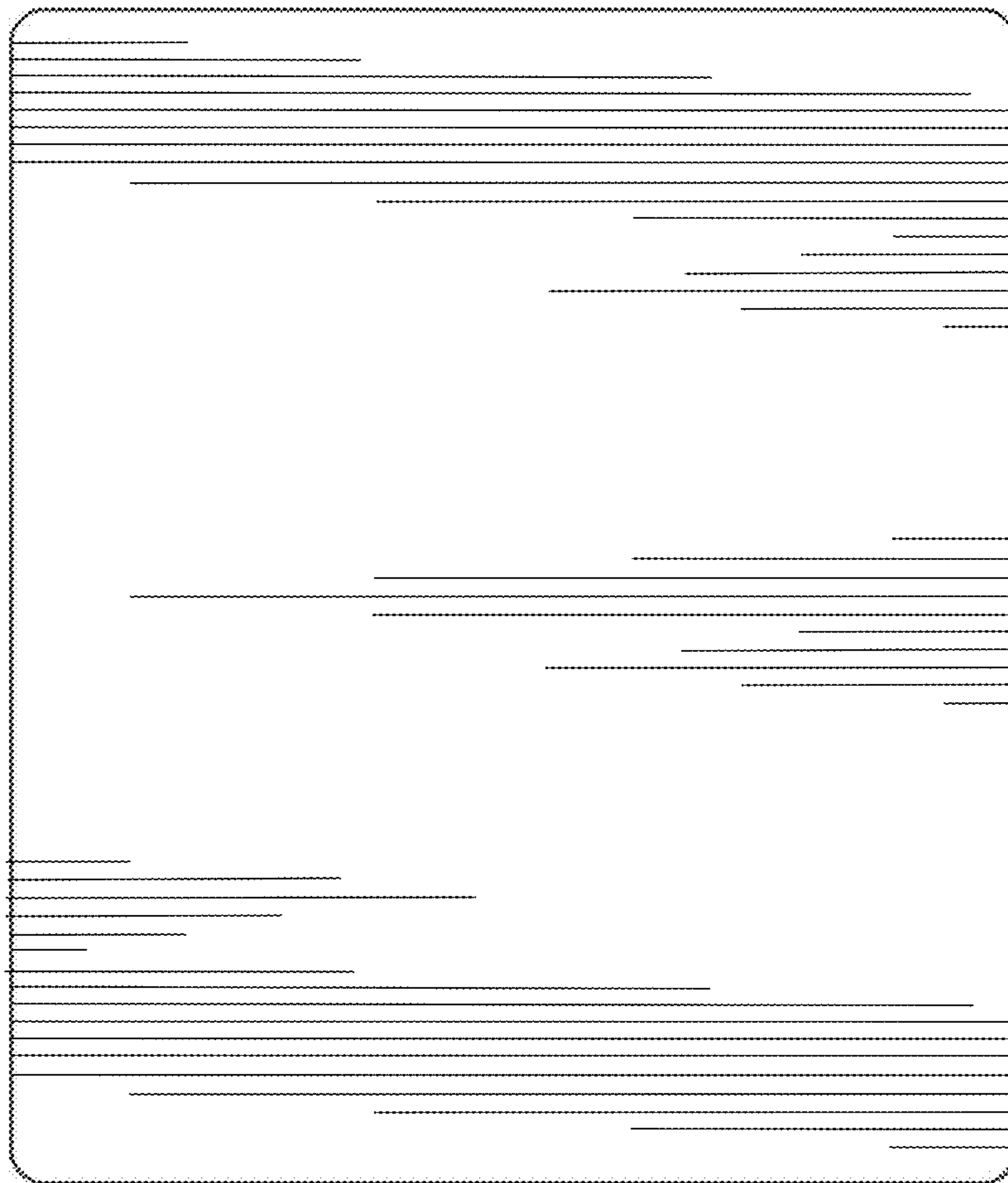


FIG. 5

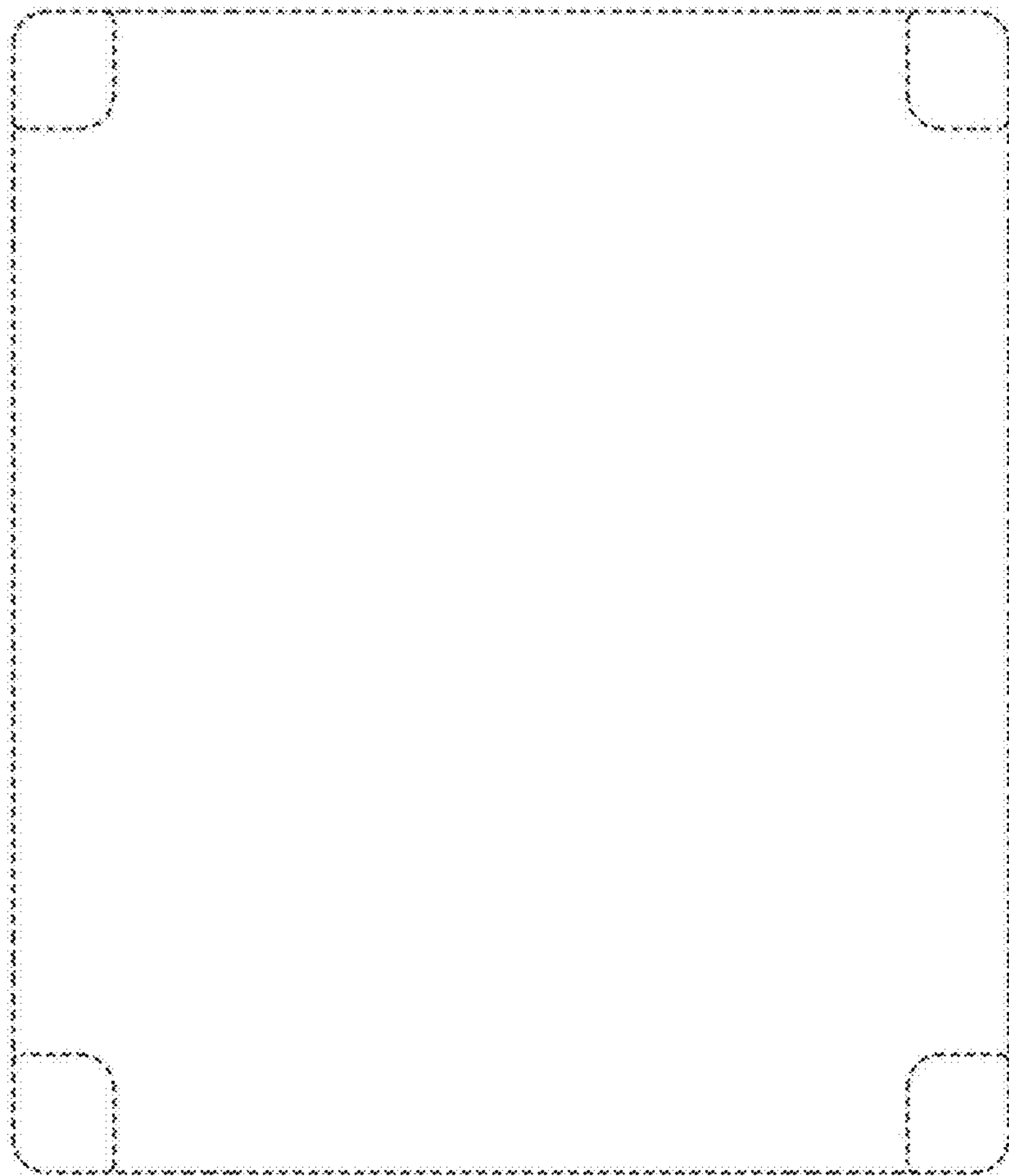


FIG. 6

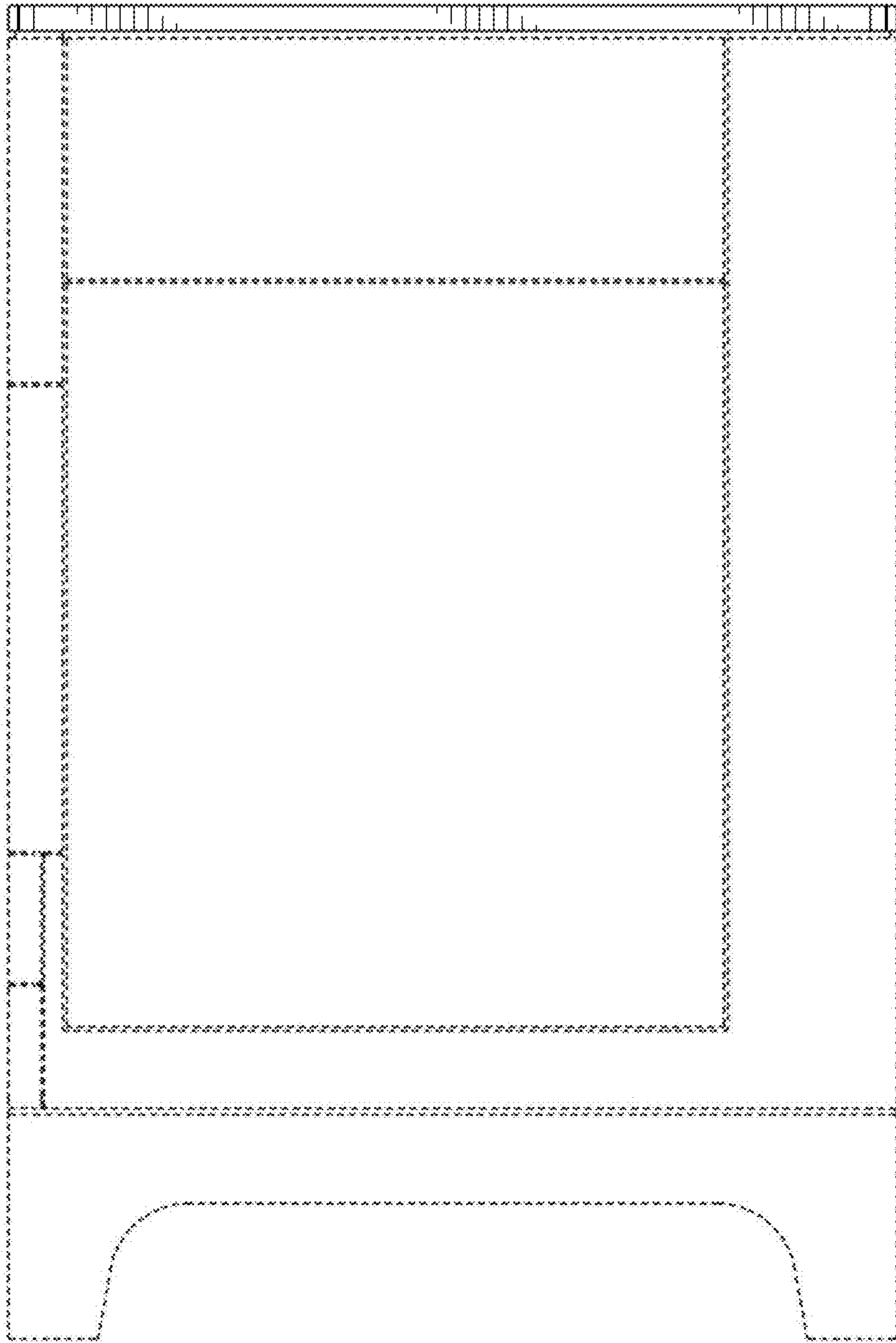


FIG. 7

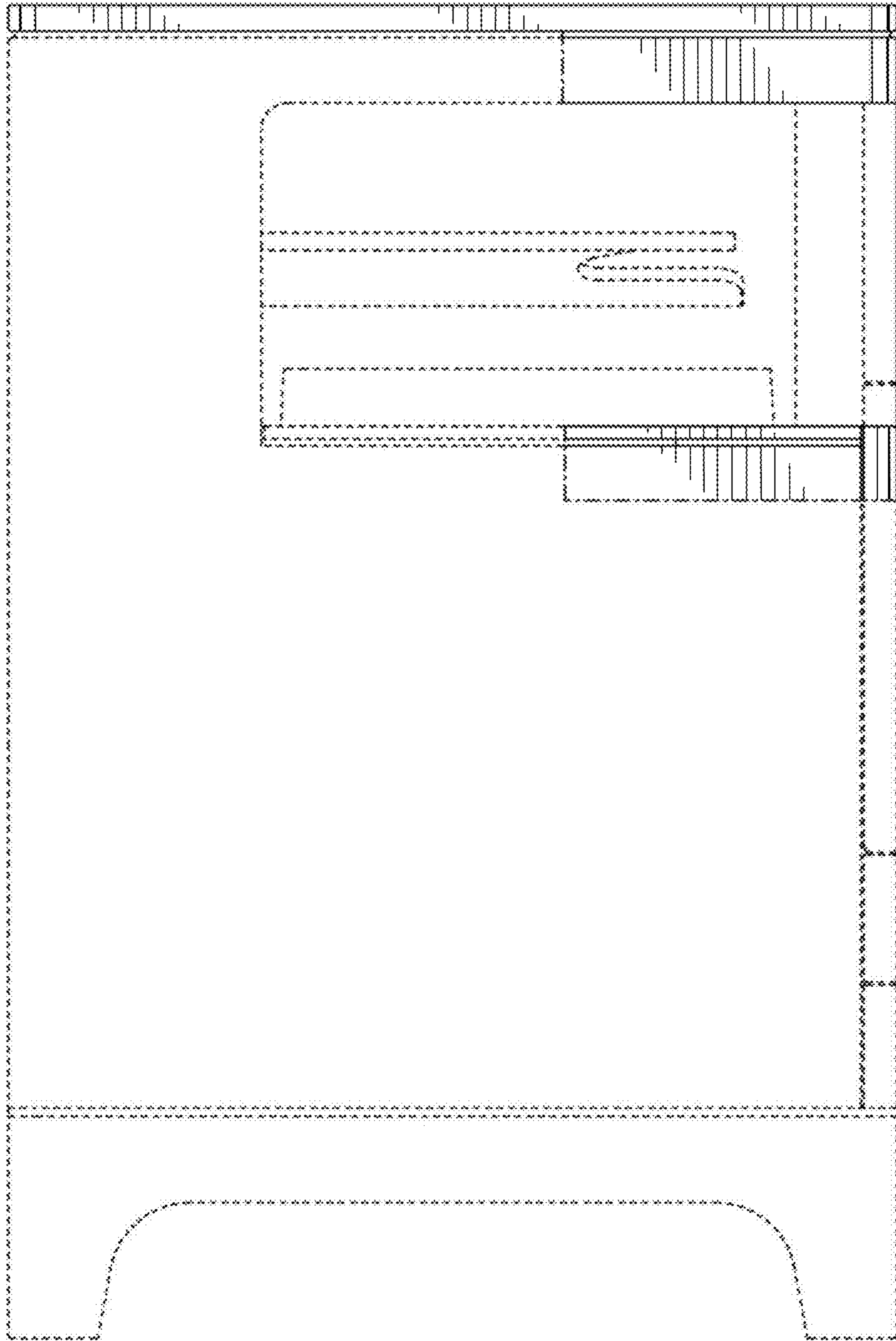


FIG. 8