



US00D874561S

(12) **United States Design Patent** (10) **Patent No.:** **US D874,561 S**
Shirane et al. (45) **Date of Patent:** **** Feb. 4, 2020**

(54) **COPYING MACHINE**

D764,576 S * 8/2016 Cho D18/53
D764,577 S * 8/2016 Cho D18/53
D803,308 S * 11/2017 Takahashi D18/36
2018/0231927 A1* 8/2018 Kunihisa G03G 15/5004

(71) Applicants: **Ryuichi Shirane**, Ohta-ku (JP); **Yuki Sato**, Ohta-ku (JP)

(72) Inventors: **Ryuichi Shirane**, Ohta-ku (JP); **Yuki Sato**, Ohta-ku (JP)

(73) Assignee: **Ricoh Company, Ltd.**, Tokyo (JP)

(**) Term: **15 Years**

(21) Appl. No.: **29/667,441**

(22) Filed: **Oct. 22, 2018**

(30) **Foreign Application Priority Data**

Apr. 24, 2018 (JP) 2018-008996

(51) **LOC (12) Cl.** **18-03**

(52) **U.S. Cl.**
USPC **D18/36; D18/39**

(58) **Field of Classification Search**
USPC D18/36, 39, 50, 53
CPC G03G 21/1633; B41J 15/00; B41J 15/12;
B41J 15/42; B41J 11/00
See application file for complete search history.

(56) **References Cited**

U.S. PATENT DOCUMENTS

D415,791 S * 10/1999 Okamura D18/59
D438,559 S * 3/2001 Matsumoto D18/39
D443,887 S * 6/2001 Ogawa D18/39

FOREIGN PATENT DOCUMENTS

JP 2007-078994 3/2007
JP D1545689 3/2016

* cited by examiner

Primary Examiner — Barbara Fox

Assistant Examiner — J. Thorn, Sr.

(74) *Attorney, Agent, or Firm* — Oblon, McClelland, Maier & Neustadt, LLP

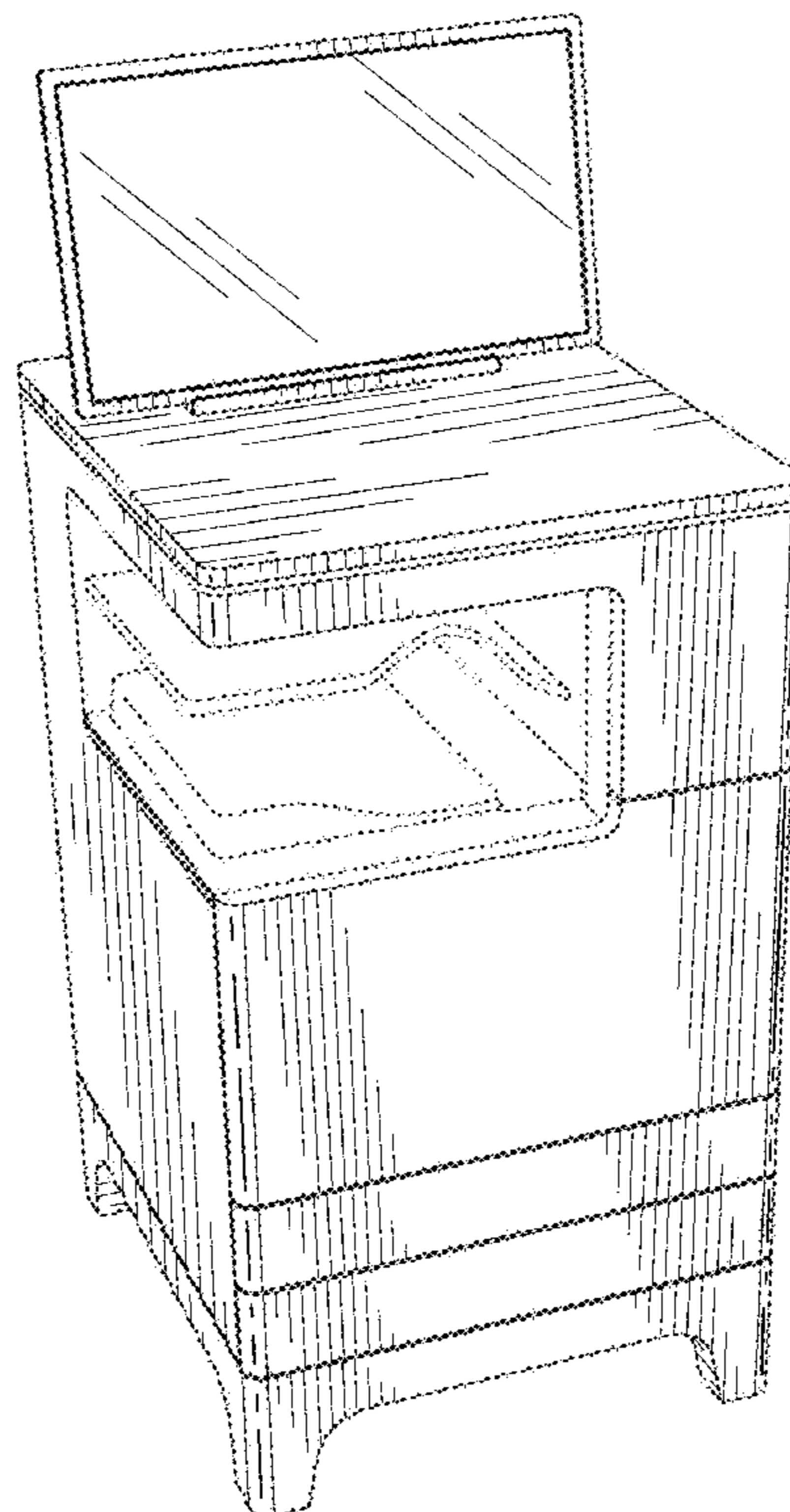
(57) **CLAIM**

The ornamental design for a copying machine, as shown and described.

DESCRIPTION

FIG. 1 is a front, top, and left side perspective view of a copying machine;
FIG. 2 is a front, top, and right side perspective view thereof;
FIG. 3 is a front elevational view thereof;
FIG. 4 is a rear elevational view thereof;
FIG. 5 is a top plan view thereof;
FIG. 6 is a bottom plan view thereof;
FIG. 7 is a right side elevational view thereof; and,
FIG. 8 is a left side elevational view thereof.
The broken lines shown in the figures are for the purpose of illustrating portions of the copying machine that form no part of the claimed design.

1 Claim, 7 Drawing Sheets



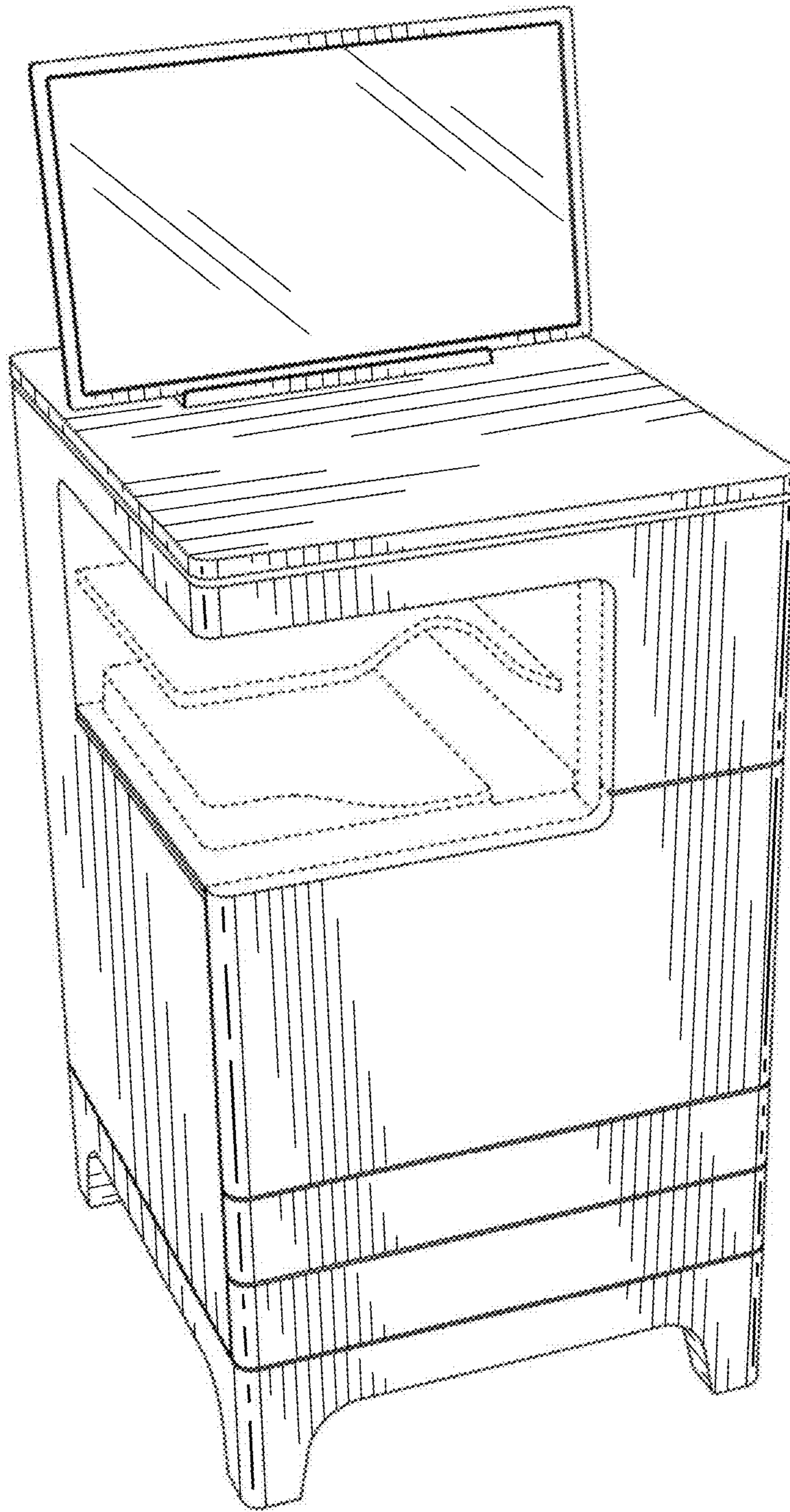


FIG. 1

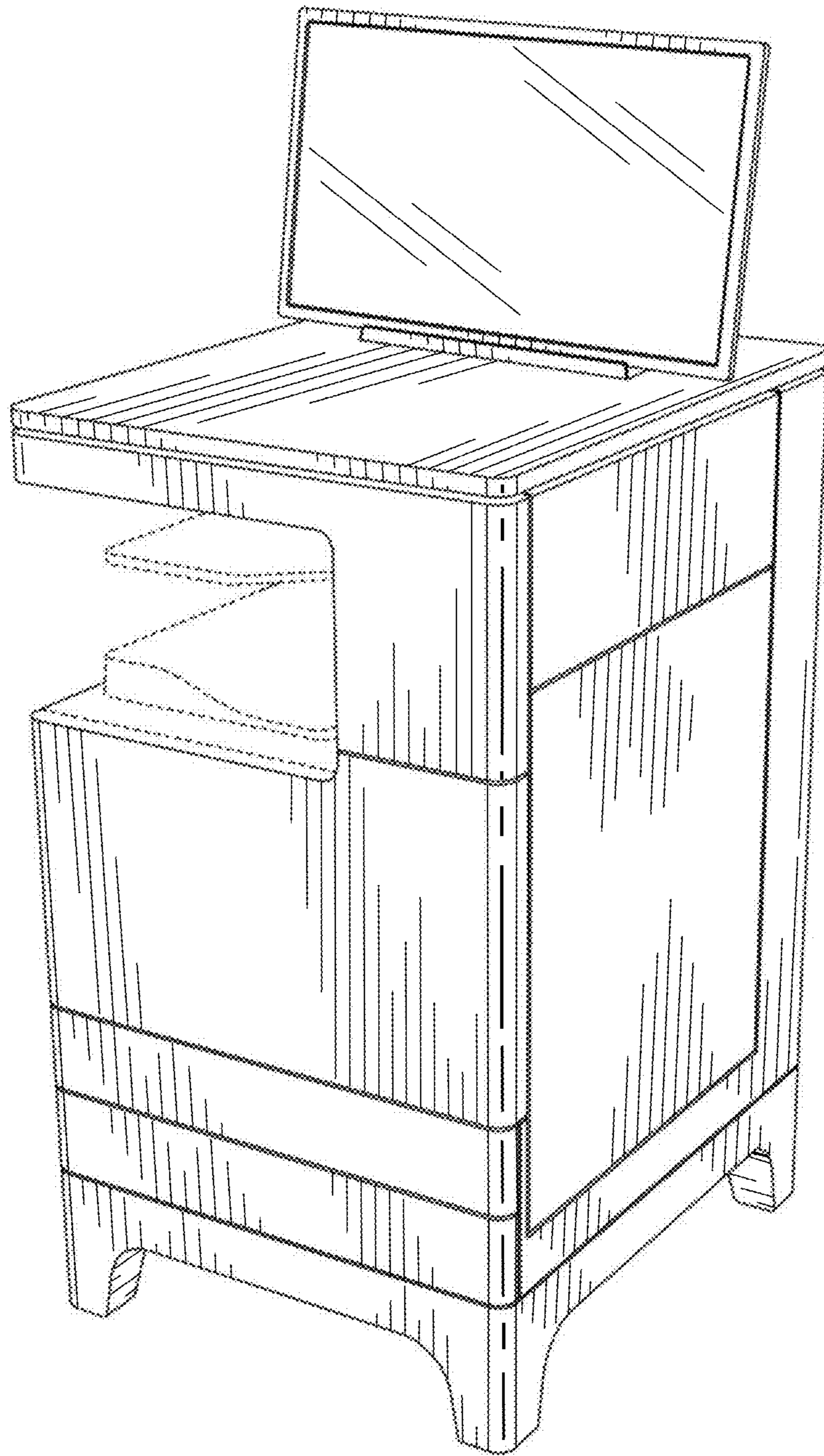


FIG. 2

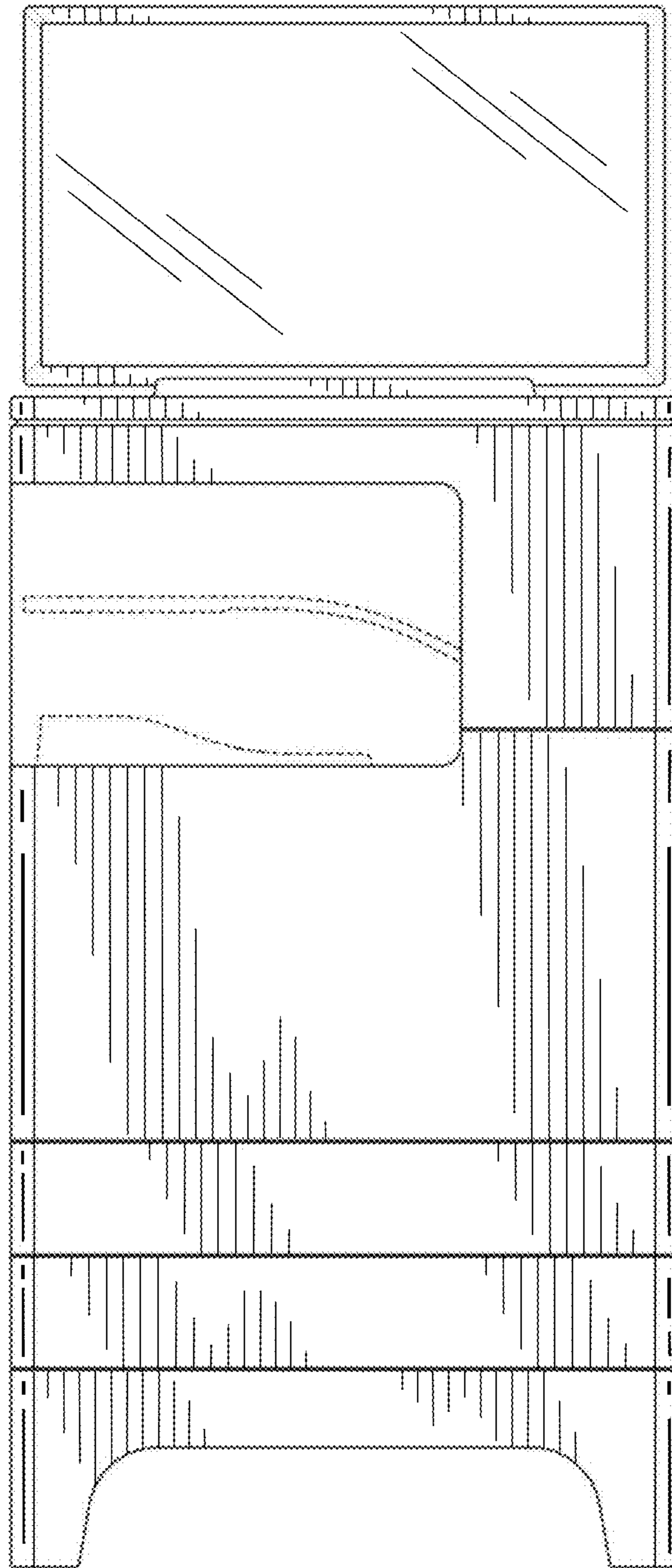


FIG. 3

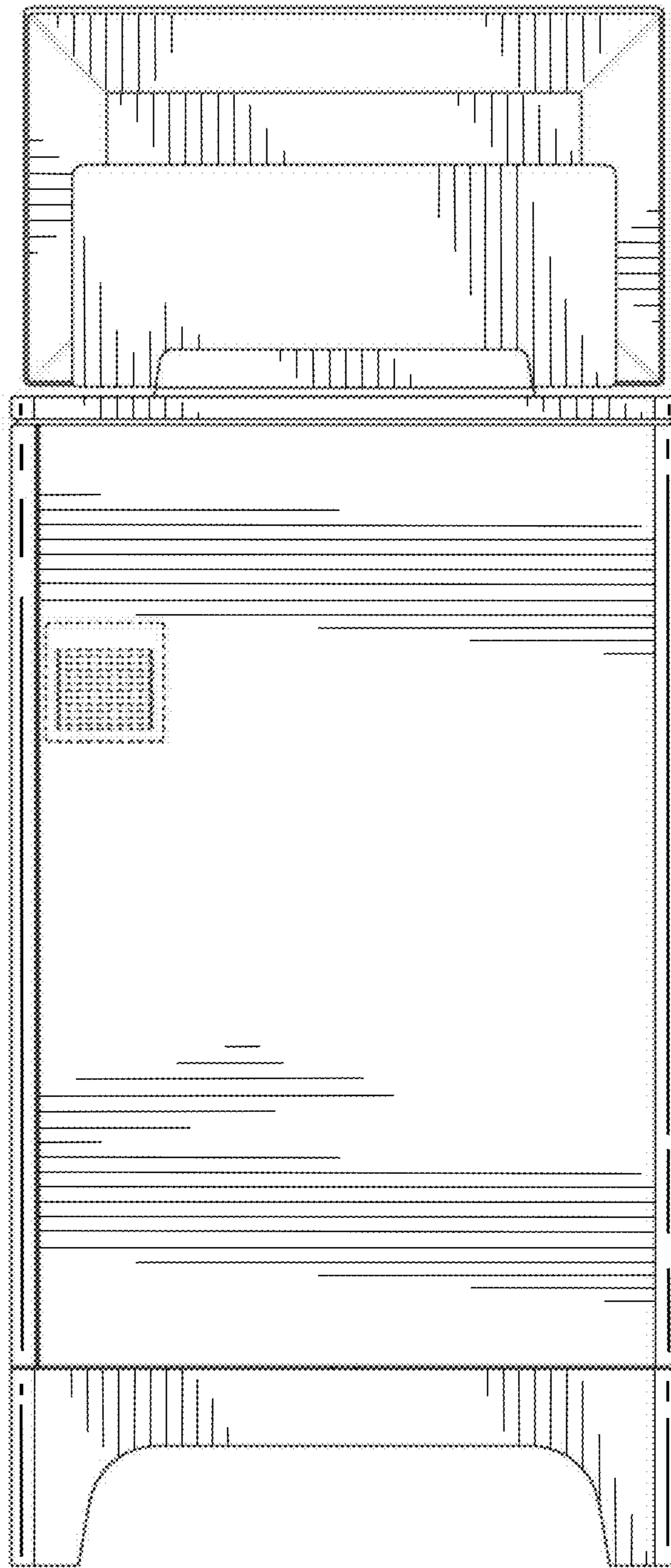


FIG. 4

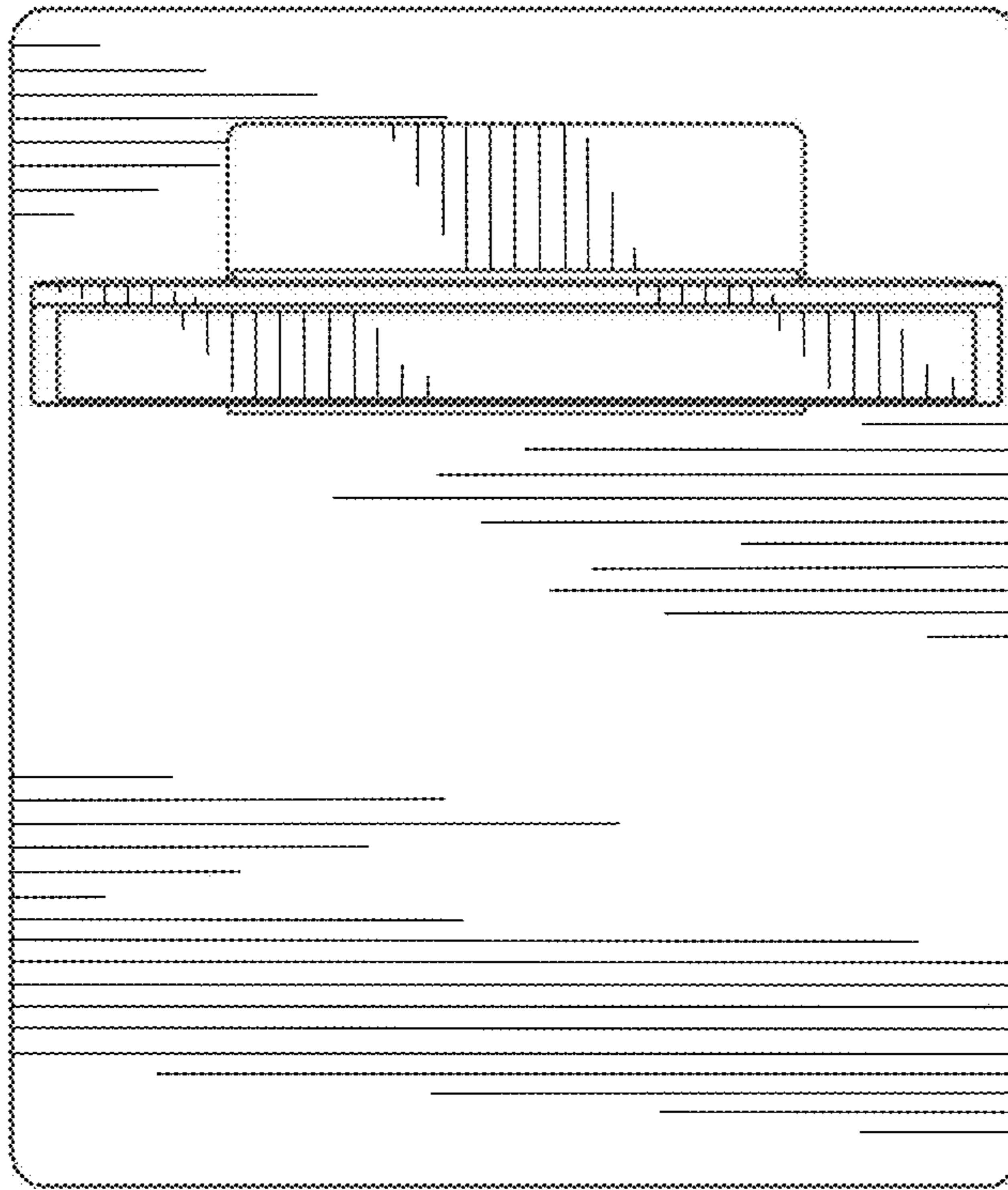


FIG. 5

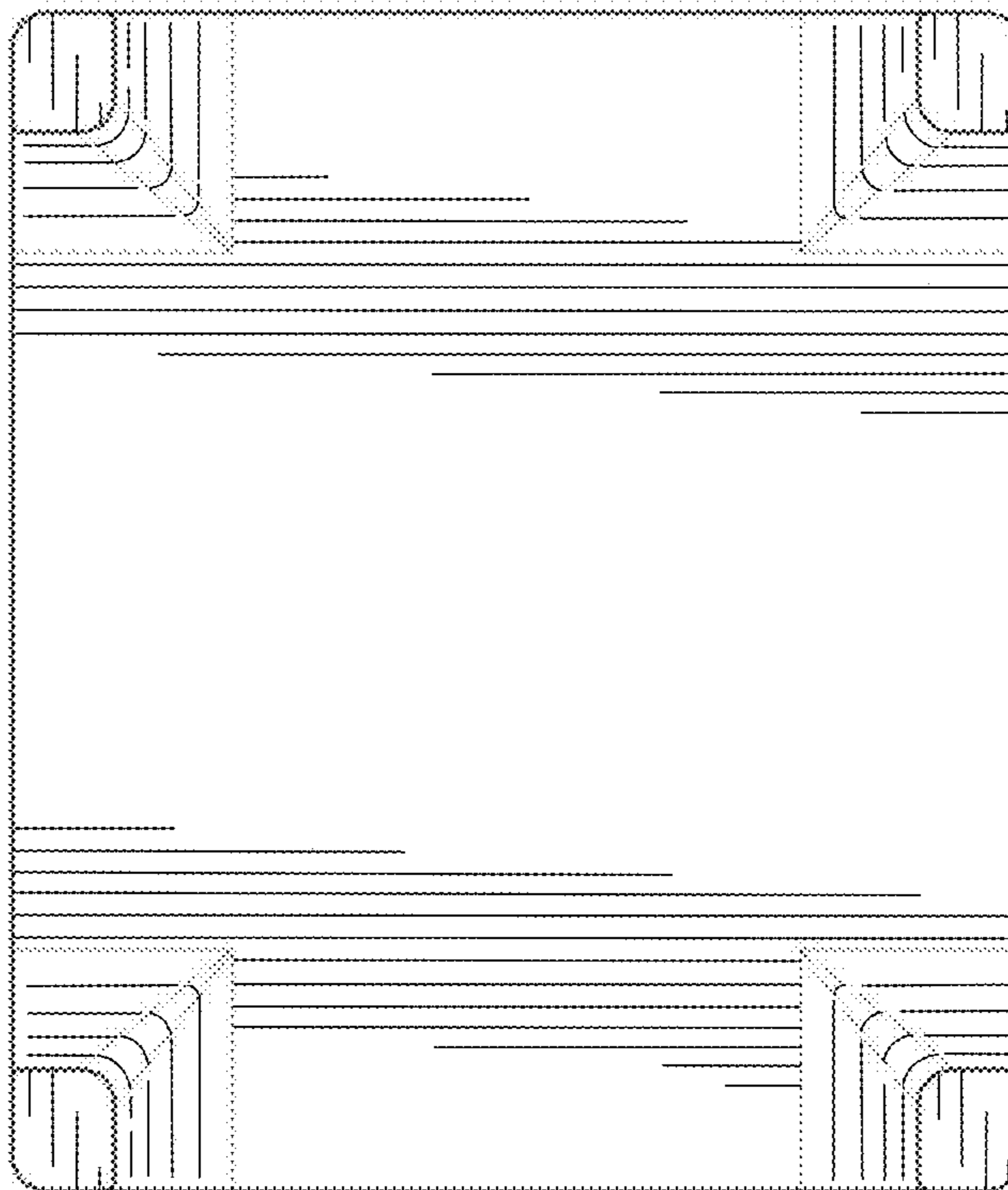


FIG. 6

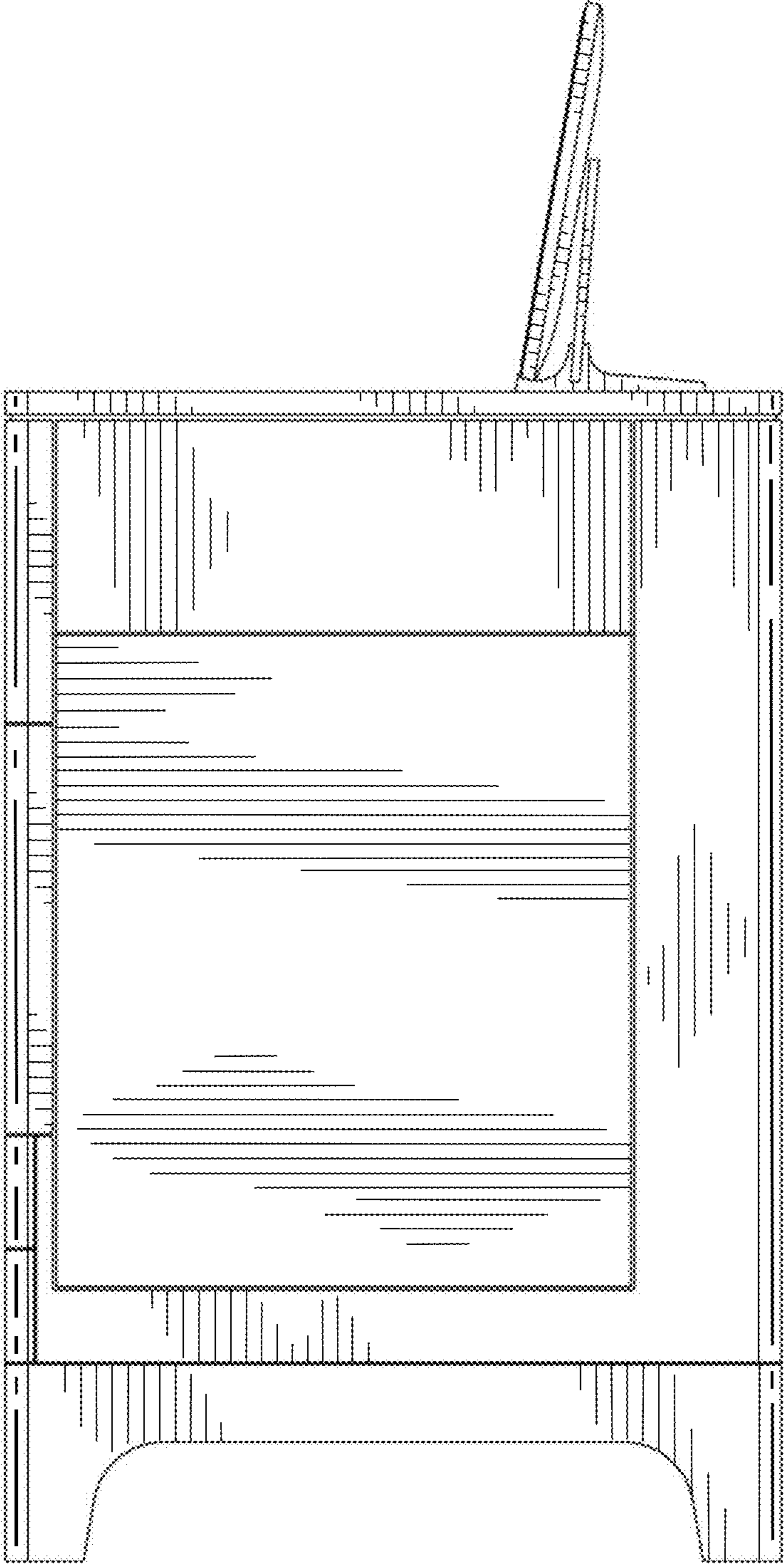


FIG. 7

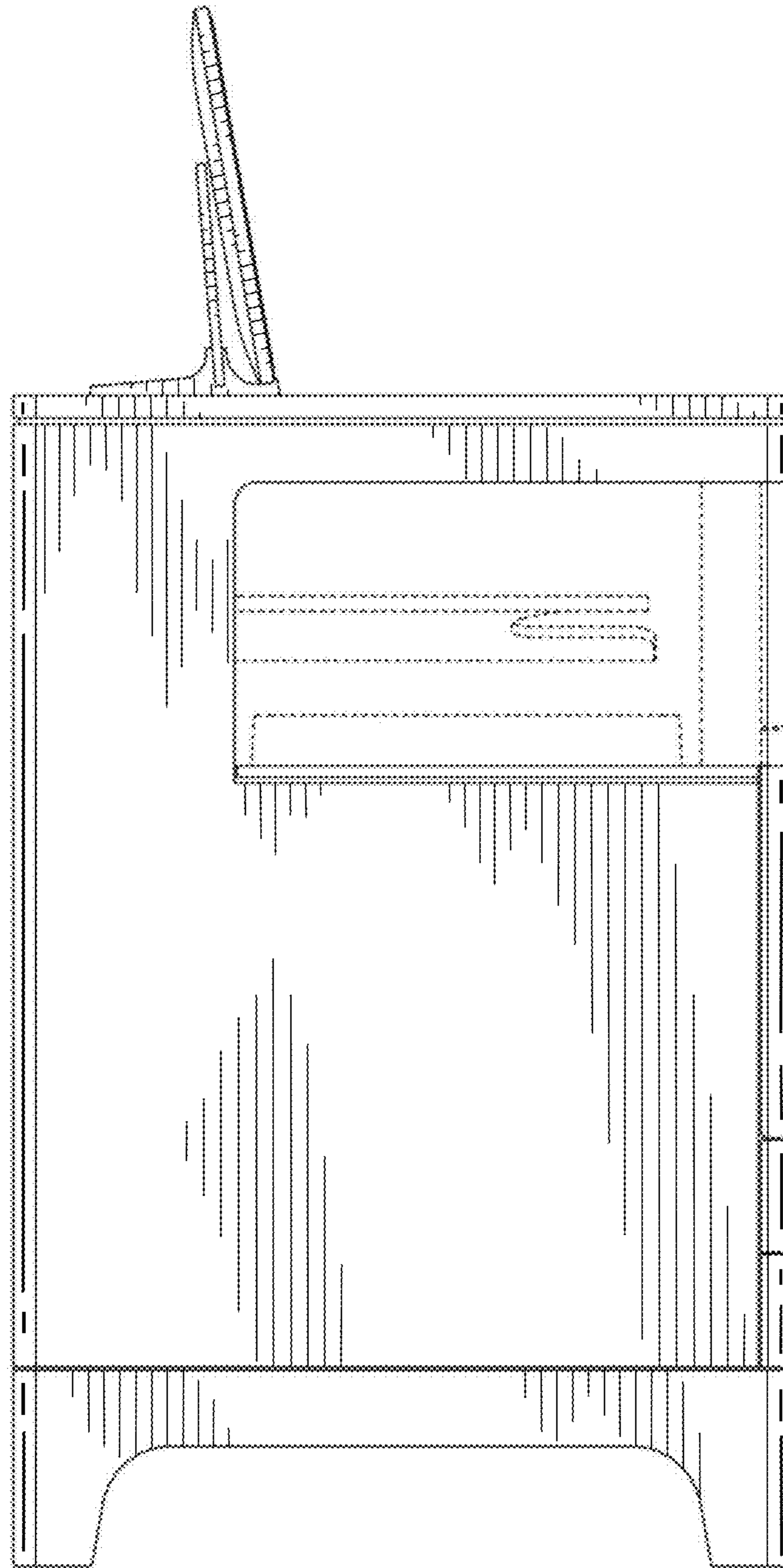


FIG. 8