



US00D874560S

(12) **United States Design Patent** (10) **Patent No.:** **US D874,560 S**  
**Hernandez et al.** (45) **Date of Patent:** **\*\* Feb. 4, 2020**

(54) **SHREDDER**

FOREIGN PATENT DOCUMENTS

(71) Applicant: **Fellowes, Inc.**, Itasca, IL (US)  
(72) Inventors: **Damian Hernandez**, Oak Park, IL (US); **Dominick Padovano**, Chicago, IL (US)

EM 002389866-0001 \* 3/2014  
EM 002389866-0002 \* 3/2014  
EM 002389866-0003 \* 3/2014  
EM 002389866-0004 \* 3/2014

(73) Assignee: **FELLOWES, INC.**, Itasca, IL (US)

OTHER PUBLICATIONS

(\*\*) Term: **15 Years**

Amazon. Link: [https://www.amazon.com/GoECOLife-GMW120Pii-12-Sheet-Security-Microcut/dp/B0193IOAZ0/ref=sr\\_1\\_25?keywords=office+shredders+with+side+handle&qid=1555369312&s=gateway&sr=8-25](https://www.amazon.com/GoECOLife-GMW120Pii-12-Sheet-Security-Microcut/dp/B0193IOAZ0/ref=sr_1_25?keywords=office+shredders+with+side+handle&qid=1555369312&s=gateway&sr=8-25). Dec. 8, 2015. GoECOLife GMW120Pii Limited Edition 12-Sheet High Security Microcut Paper Shredder, Red (Year: 2015).\*

(21) Appl. No.: **29/632,957**

(22) Filed: **Jan. 11, 2018**

\* cited by examiner

(51) **LOC (12) Cl.** ..... **18-04**

(52) **U.S. Cl.**  
USPC ..... **D18/34.5**

*Primary Examiner* — Susan Bennett Hattan  
*Assistant Examiner* — Lauren D McVey

(58) **Field of Classification Search**  
USPC ..... D18/34.1, 34.2, 34.3, 34.4, 34.5, 34.6,  
D18/34.7, 34.8, 34.9; D14/314, 332,  
D14/348-349, 351, 352  
CPC ..... B02C 18/00; B02C 18/0007; B02C  
2018/164; B02C 2018/168; B02C  
2018/0015

(74) *Attorney, Agent, or Firm* — Pillsbury Winthrop Shaw Pittman LLP

See application file for complete search history.

(57) **CLAIM**

The ornamental design for a shredder, as shown and described.

(56) **References Cited**

**DESCRIPTION**

U.S. PATENT DOCUMENTS

D556,250 S *	11/2007	Kent	.....	D18/34.6
D660,907 S *	5/2012	Wing	.....	D18/34.5
D679,319 S *	4/2013	Romanovich	.....	D18/34.5
D686,657 S *	7/2013	Applegate	.....	D18/34.5
D688,740 S *	8/2013	Applegate	.....	D18/34.5
D694,813 S *	12/2013	Choi	.....	D18/34.5
D715,354 S *	10/2014	Bell	.....	D18/34.5
D748,192 S *	1/2016	Weinberg	.....	D18/34.5
D752,132 S *	3/2016	Bordy	.....	D18/34.5
D835,713 S *	12/2018	Xu	.....	D18/34.6
2008/0054110 A1 *	3/2008	Wang	.....	B02C 18/0007 241/100
2013/0105608 A1 *	5/2013	Aries	.....	B02C 18/0007 241/81
2014/0263773 A1 *	9/2014	Barthel	.....	B02C 18/0007 241/25

FIG. 1 is a perspective view of a shredder, showing our new design;

FIG. 2 is a front view of the shredder of FIG. 1;

FIG. 3 is a back view of the shredder of FIG. 1;

FIG. 4 is a right side view of the shredder of FIG. 1;

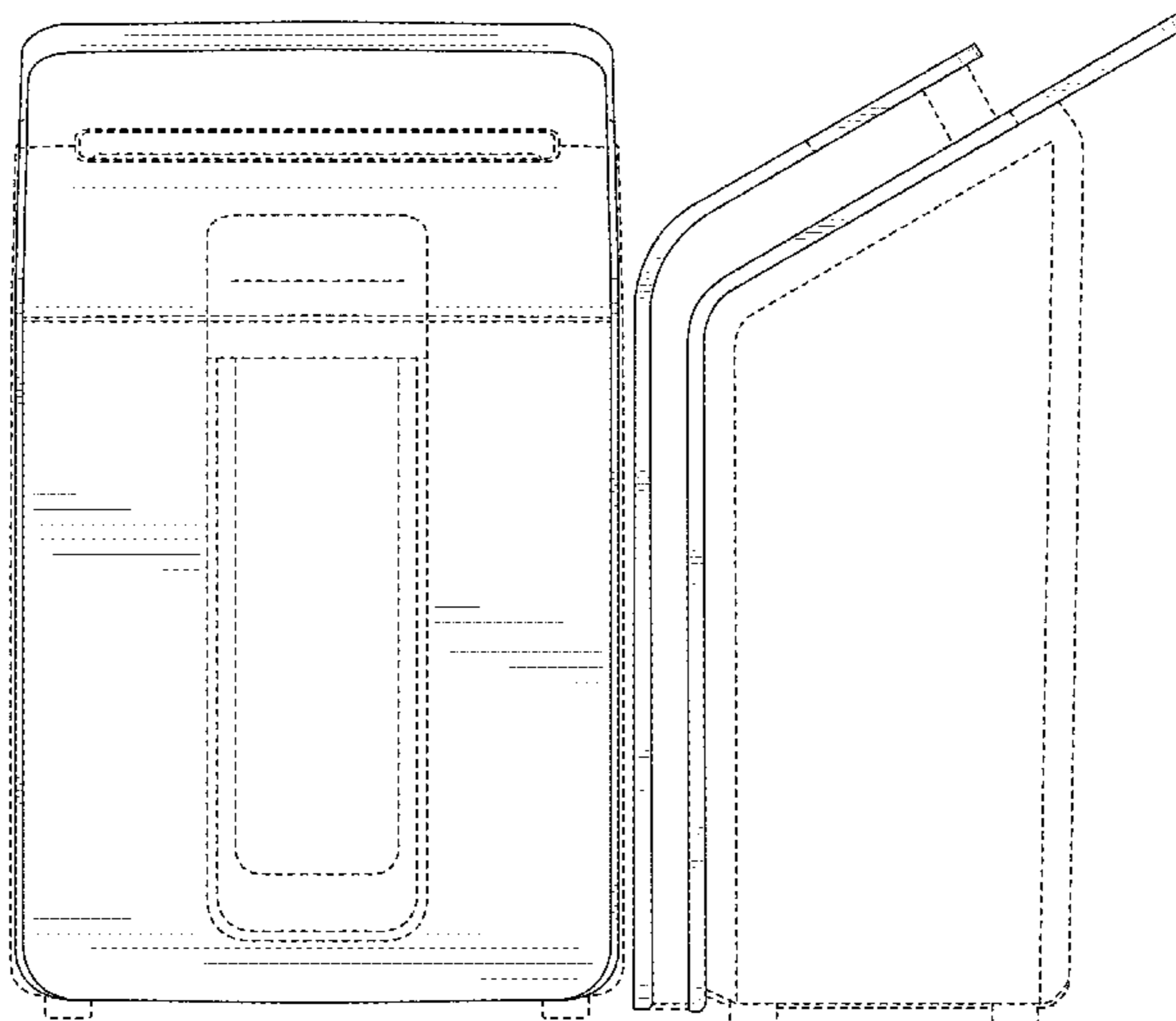
FIG. 5 is a left side view of the shredder of FIG. 1;

FIG. 6 is a top view of the shredder of FIG. 1; and,

FIG. 7 is a bottom view of the shredder of FIG. 1.

The broken lines immediately adjacent to the shaded areas and define unshaded regions depict the bounds of the claimed design, while all other broken lines are directed to environment. The broken lines form no part of the claimed design.

**1 Claim, 7 Drawing Sheets**



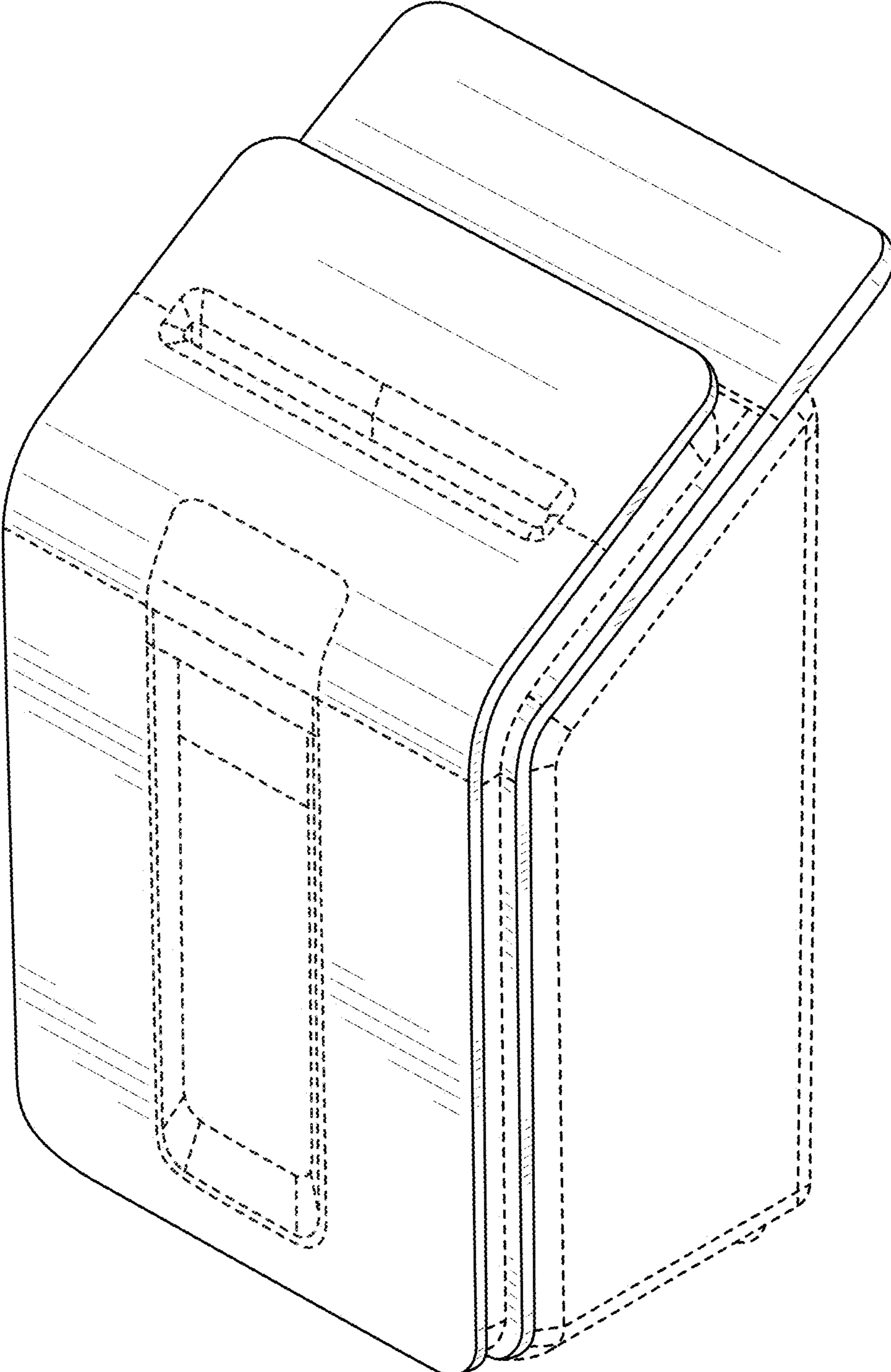


FIG. 1

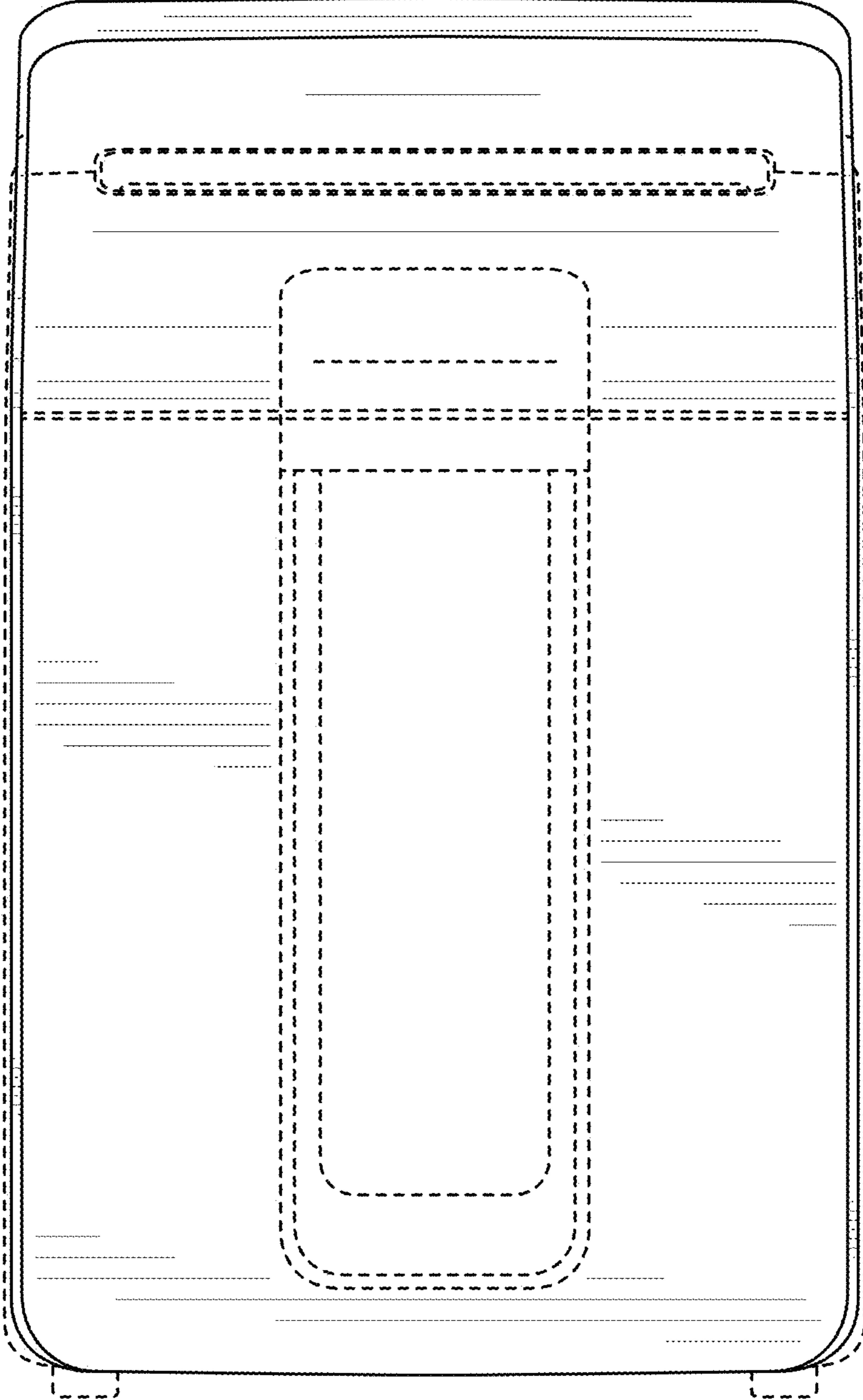


FIG. 2

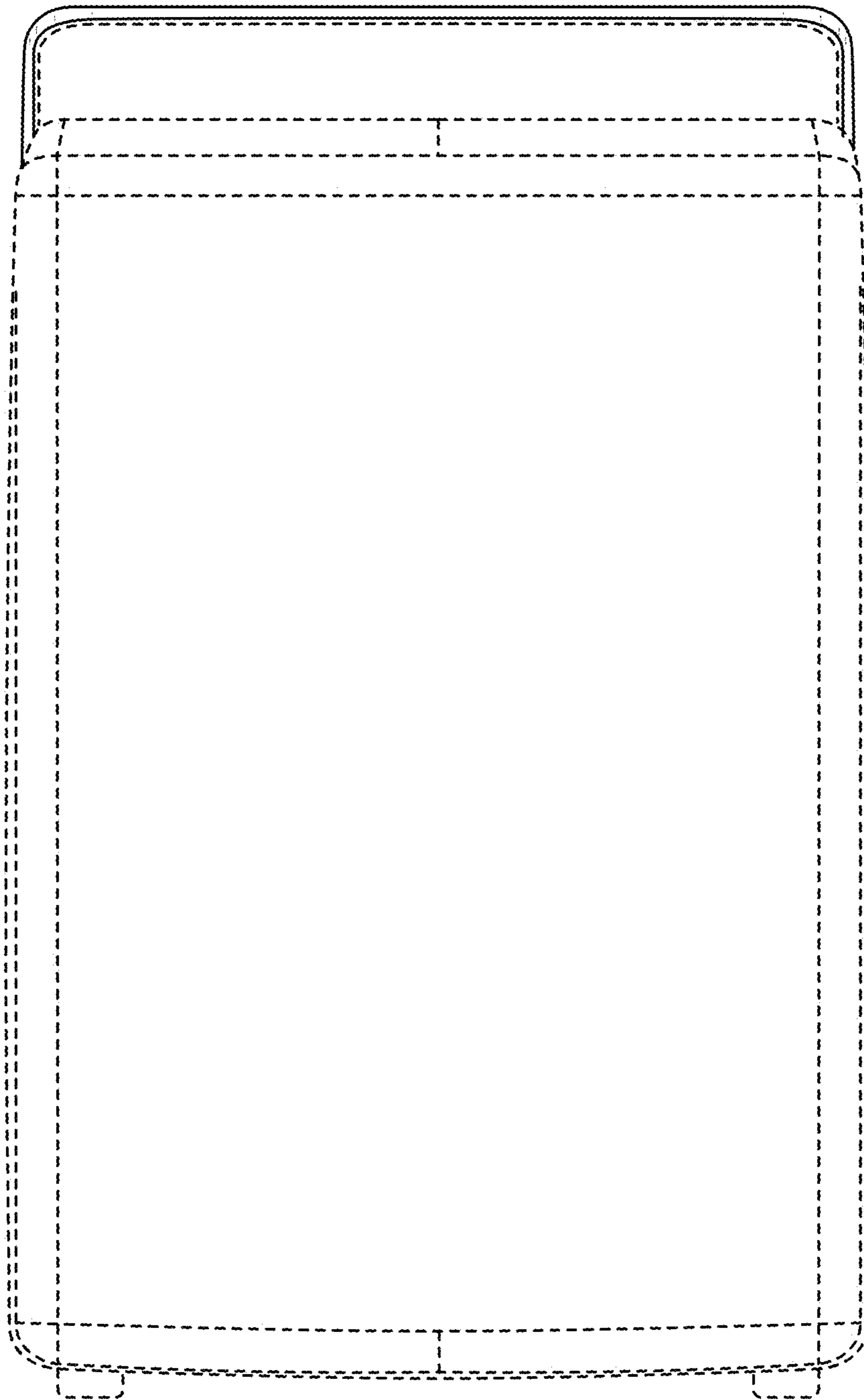


FIG. 3

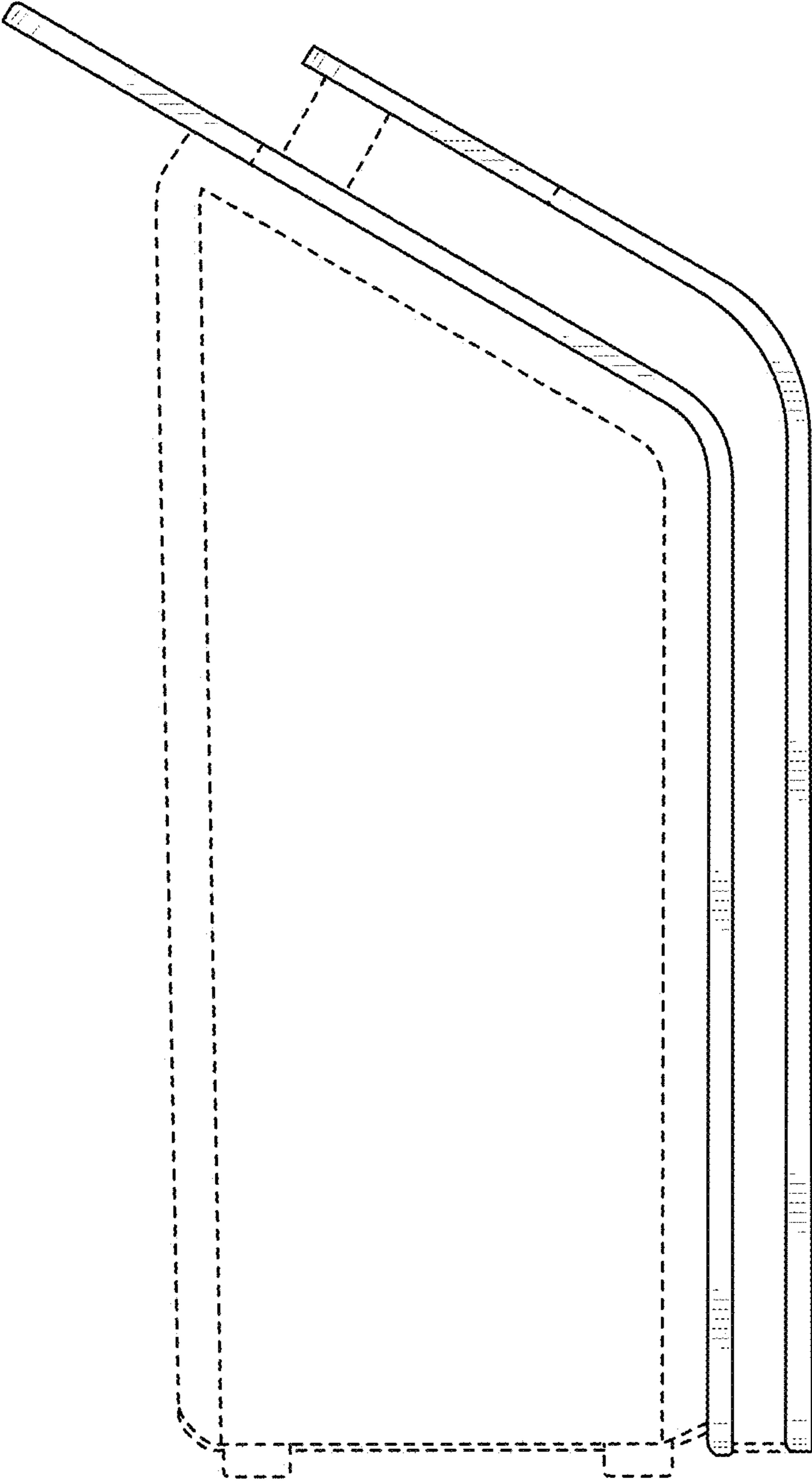


FIG. 4

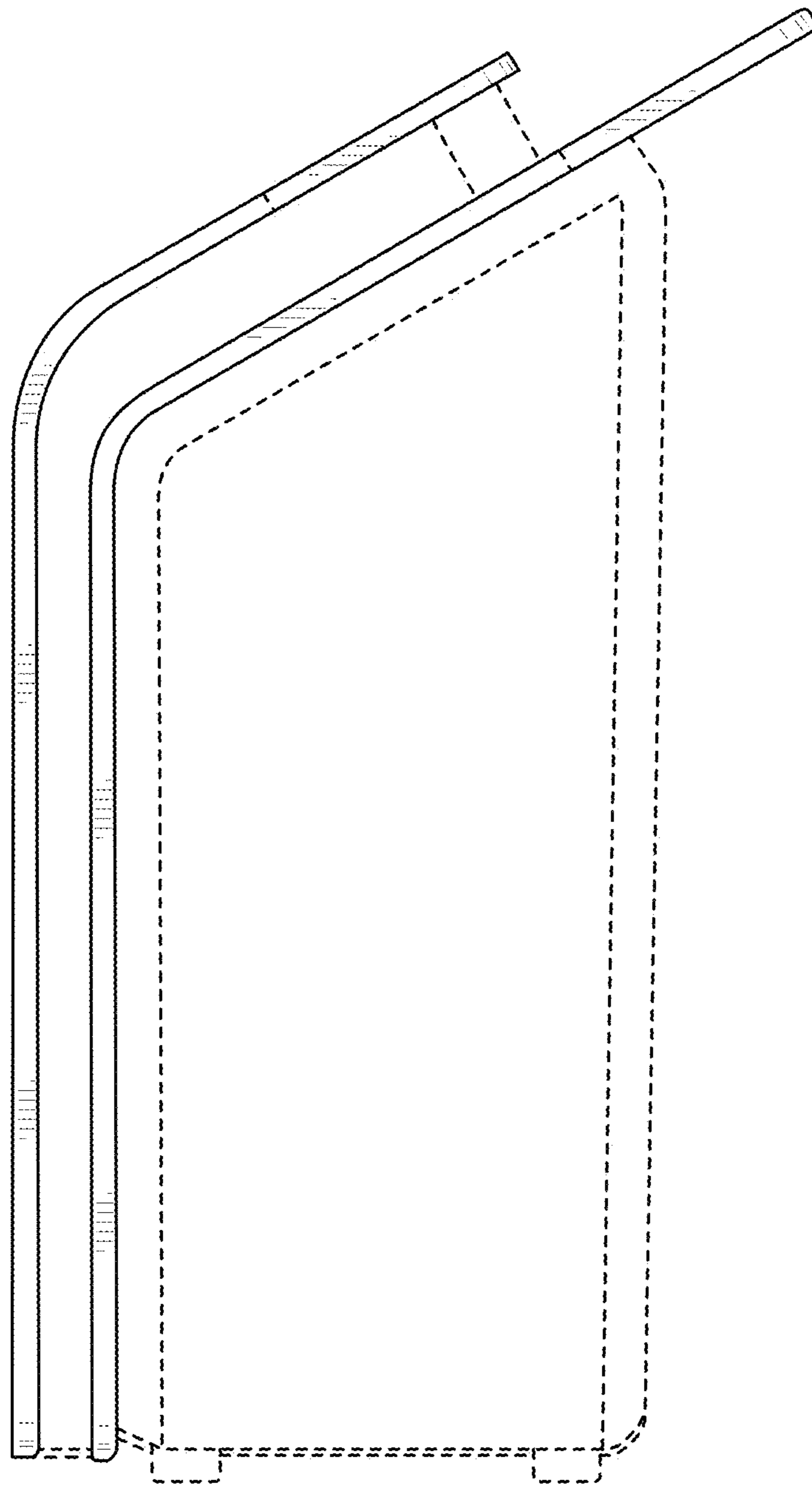


FIG. 5

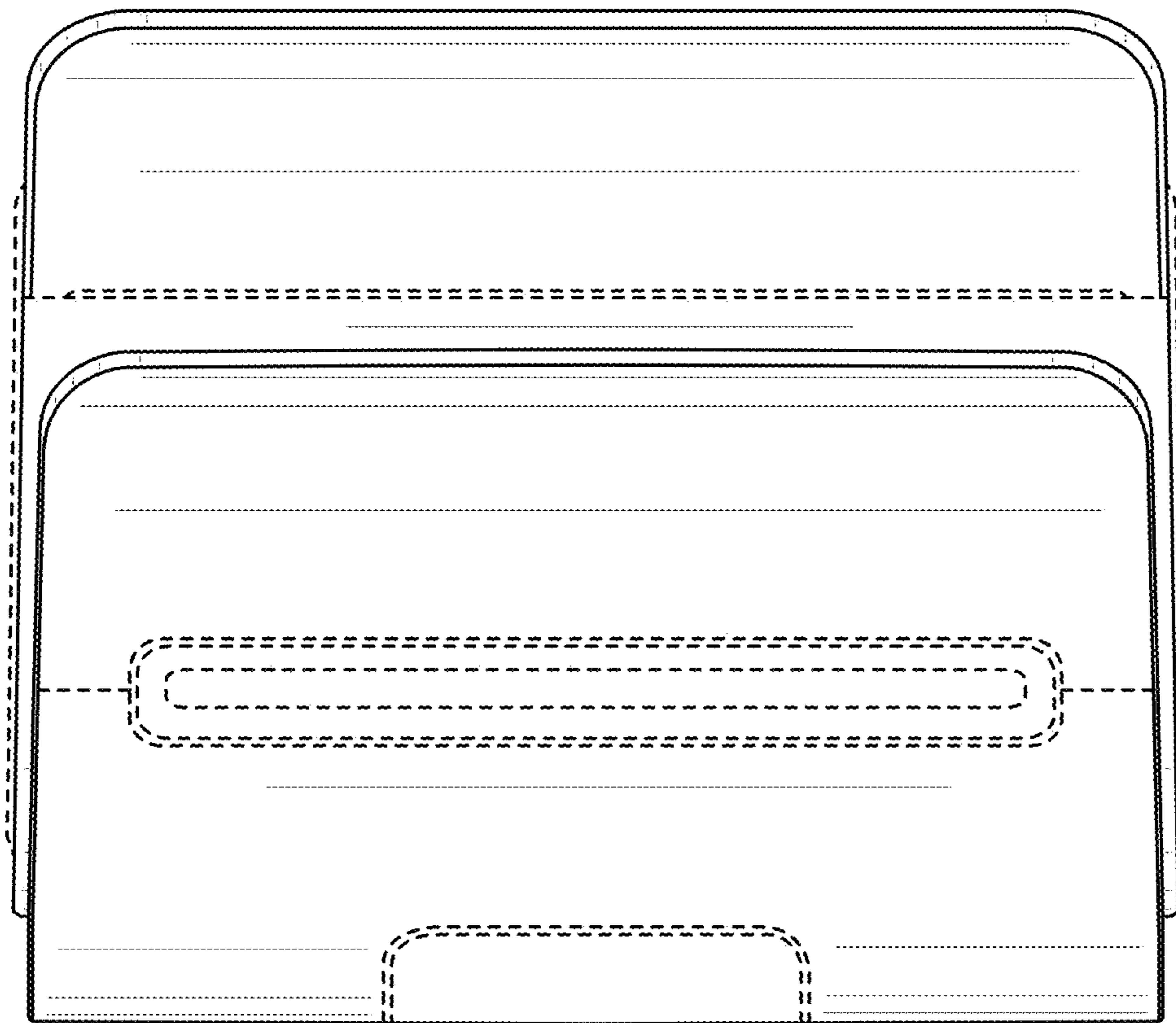


FIG. 6

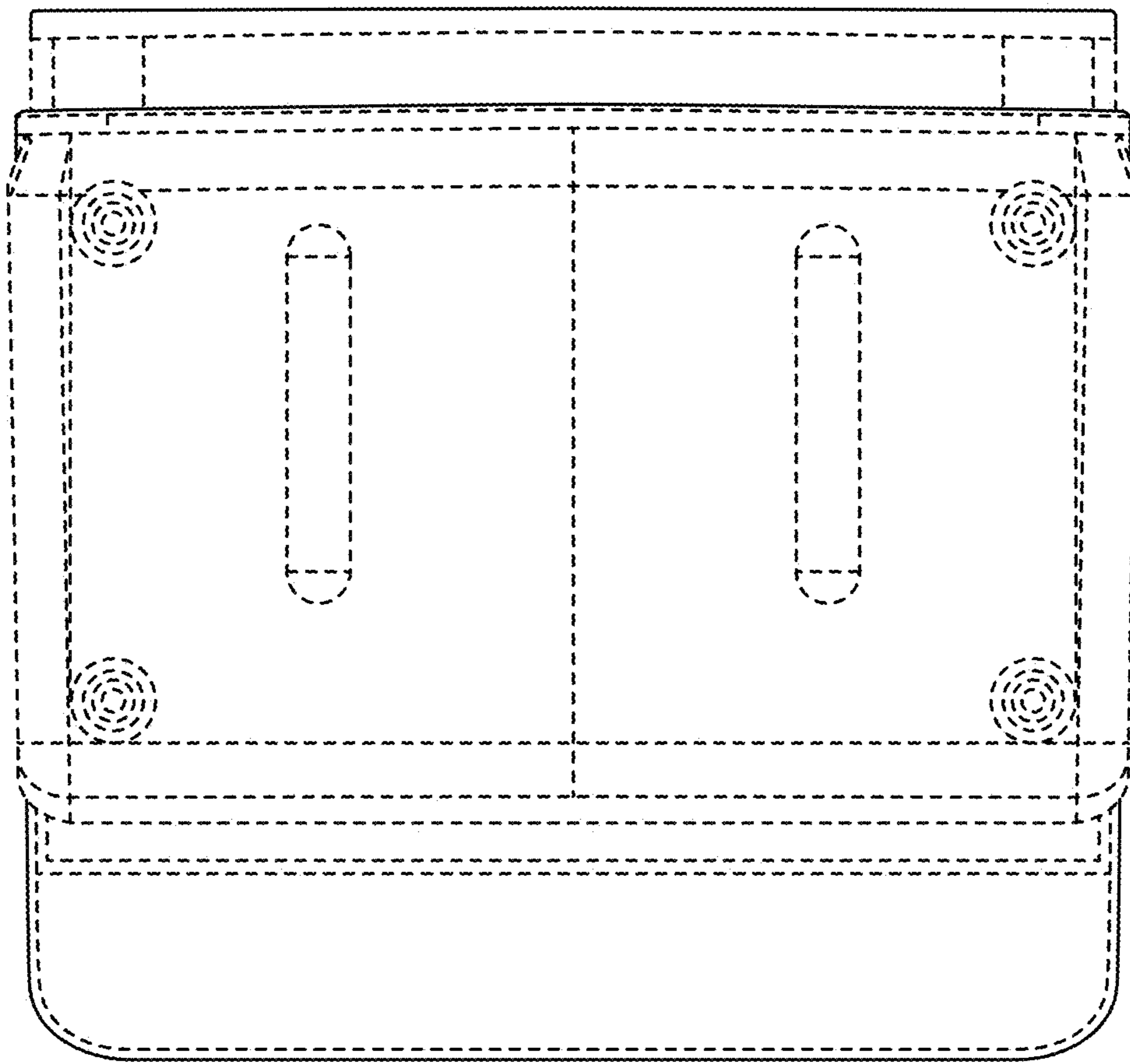


FIG. 7