



US00D874559S

(12) **United States Design Patent** (10) **Patent No.:** **US D874,559 S**
Umezawa et al. (45) **Date of Patent:** **** Feb. 4, 2020**

(54) **X-Y PLOTTER FOR CUTTING**
 (71) Applicant: **Graphtec Corporation**, Kanagawa (JP)
 (72) Inventors: **Takahisa Umezawa**, Kanagawa (JP);
Yuzuru Sekiguchi, Kanagawa (JP)
 (73) Assignee: **Graphtec Corporation**, Kanagawa (JP)
 (**) Term: **15 Years**
 (21) Appl. No.: **29/637,526**
 (22) Filed: **Feb. 20, 2018**

(30) **Foreign Application Priority Data**
 Aug. 21, 2017 (JP) 2017-017817
 (51) **LOC (12) Cl.** **18-04**
 (52) **U.S. Cl.**
 USPC **D18/34.3**
 (58) **Field of Classification Search**
 USPC D18/34.1, 34.2, 34.3, 34.4, 34.5, 34.6,
 D18/34.7, 34.8, 34.9, 50, 53; D15/127
 CPC B26D 2007/005; B26D 2007/0087; B26D
 2001/0053; B26D 1/025; B26D 1/035;
 B26D 1/045; B26D 1/065; B26D 1/08;
 B26D 1/085; B26D 1/10; B26D 1/105;
 B26D 1/125; B26D 1/147; B26D 1/1475;
 B26D 1/15; B26D 1/151; B26D 1/153;
 B26D 1/1535; B26D 1/185; B26D 1/305;
 B26D 1/34; B26D 1/345; B26D 1/36;
 B26D 1/365; B26D 1/38; B26D 1/385;
 B26D 1/56; B26D 1/565; B26D 1/58;
 B26D 1/585; B26D 5/083; B26D 7/015;
 B26D 7/025; B26D 7/22; B26D 1/0006;
 B26D 5/16; B26D 7/2614; B23D 35/008;
 Y10T 83/7763; Y10T 83/8822; Y10T
 83/885; Y10T 83/8851; Y10T 83/7507;
 Y10T 83/8874; Y10T 83/8814; Y10T
 83/9493; Y10T 83/7533; Y10T 83/8821;
 Y10T 83/828; Y10T 83/872; Y10T
 83/8841; Y10S 83/955

See application file for complete search history.

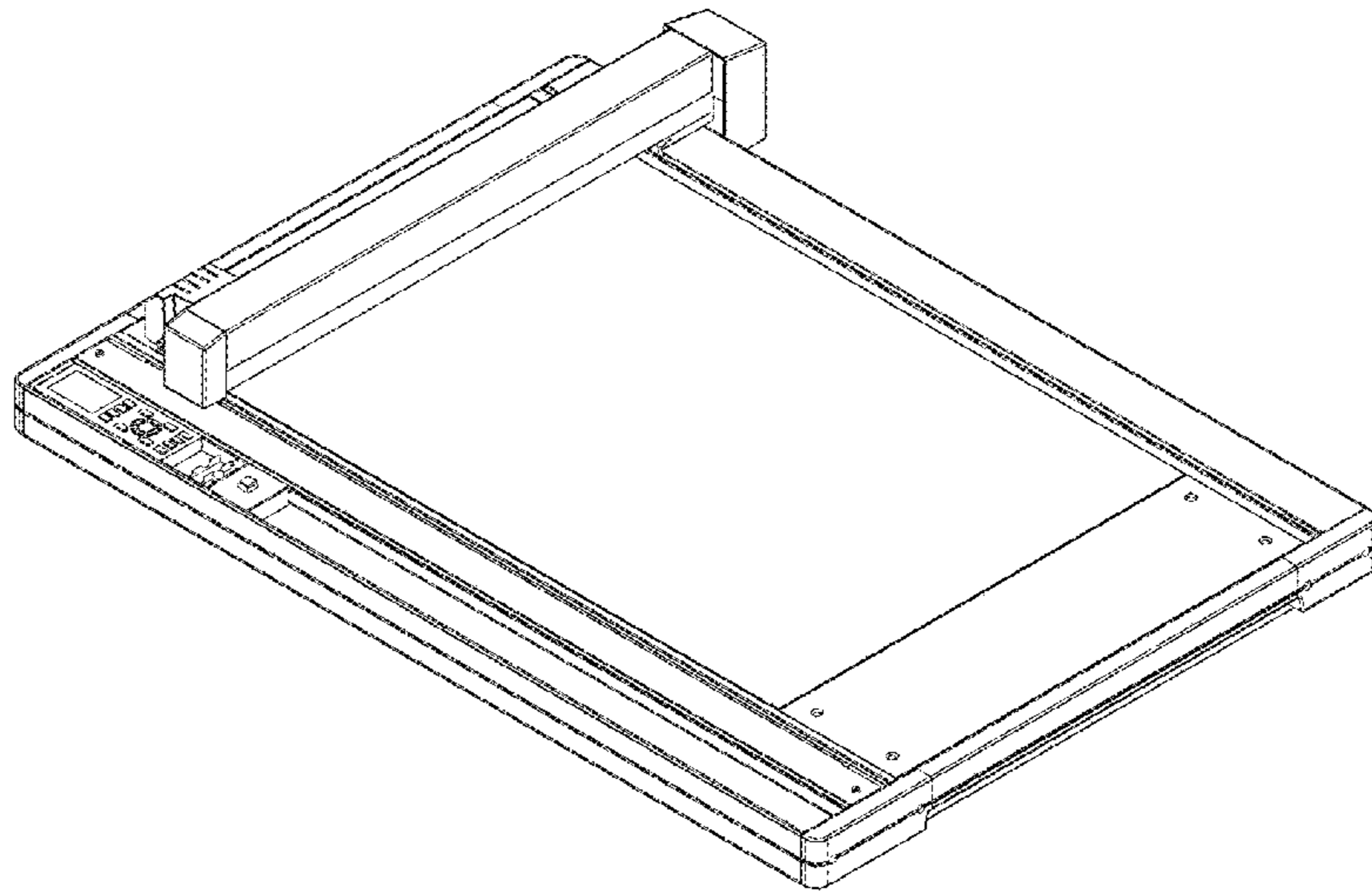
(56) **References Cited**
 U.S. PATENT DOCUMENTS
 4,401,001 A * 8/1983 Gerber B26D 1/185
 83/451
 D322,974 S * 1/1992 Mori D18/34.8
 D348,271 S * 6/1994 Mori D15/129
 5,322,001 A * 6/1994 Boda B23D 35/008
 83/455
 D353,150 S * 12/1994 Mori D18/34.8
 D381,359 S * 7/1997 Mori D18/34.8
 (Continued)

FOREIGN PATENT DOCUMENTS
 EP 1787771 A2 * 5/2007 B26D 1/185
Primary Examiner — Susan Bennett Hattan
Assistant Examiner — Lauren D McVey
 (74) *Attorney, Agent, or Firm* — Kowert, Hood, Munyon,
 Rankin & Goetzel, P.C.; Mark R. DeLuca

(57) **CLAIM**
 The ornamental design for an X-Y plotter for cutting, as shown and described.

DESCRIPTION
 FIG. 1 is a front, top and right side perspective view of an X-Y plotter for cutting showing our new design;
 FIG. 2 is a top plan view thereof;
 FIG. 3 is a bottom plan view thereof;
 FIG. 4 is a front view thereof;
 FIG. 5 is a rear view thereof;
 FIG. 6 is a right side view thereof; and,
 FIG. 7 is a left side view thereof.
 The broken lines that are immediately adjacent to the claim depict the bounds of the claimed design, while all other broken lines are directed to environment. The broken lines form no part of the claimed design.

1 Claim, 5 Drawing Sheets



(56)

References Cited

U.S. PATENT DOCUMENTS

D411,227 S *	6/1999	Mori	D18/34.9
D415,519 S *	10/1999	Mori	D18/34.8
6,672,815 B2 *	1/2004	Parker	B42C 7/005 156/196
D531,204 S *	10/2006	Nakamura	D18/34.8
D559,305 S *	1/2008	Lam	D18/34.8
D701,560 S *	3/2014	Huotari	D18/34.1
D844,701 S *	4/2019	Li	D18/34.8

* cited by examiner

FIG.1

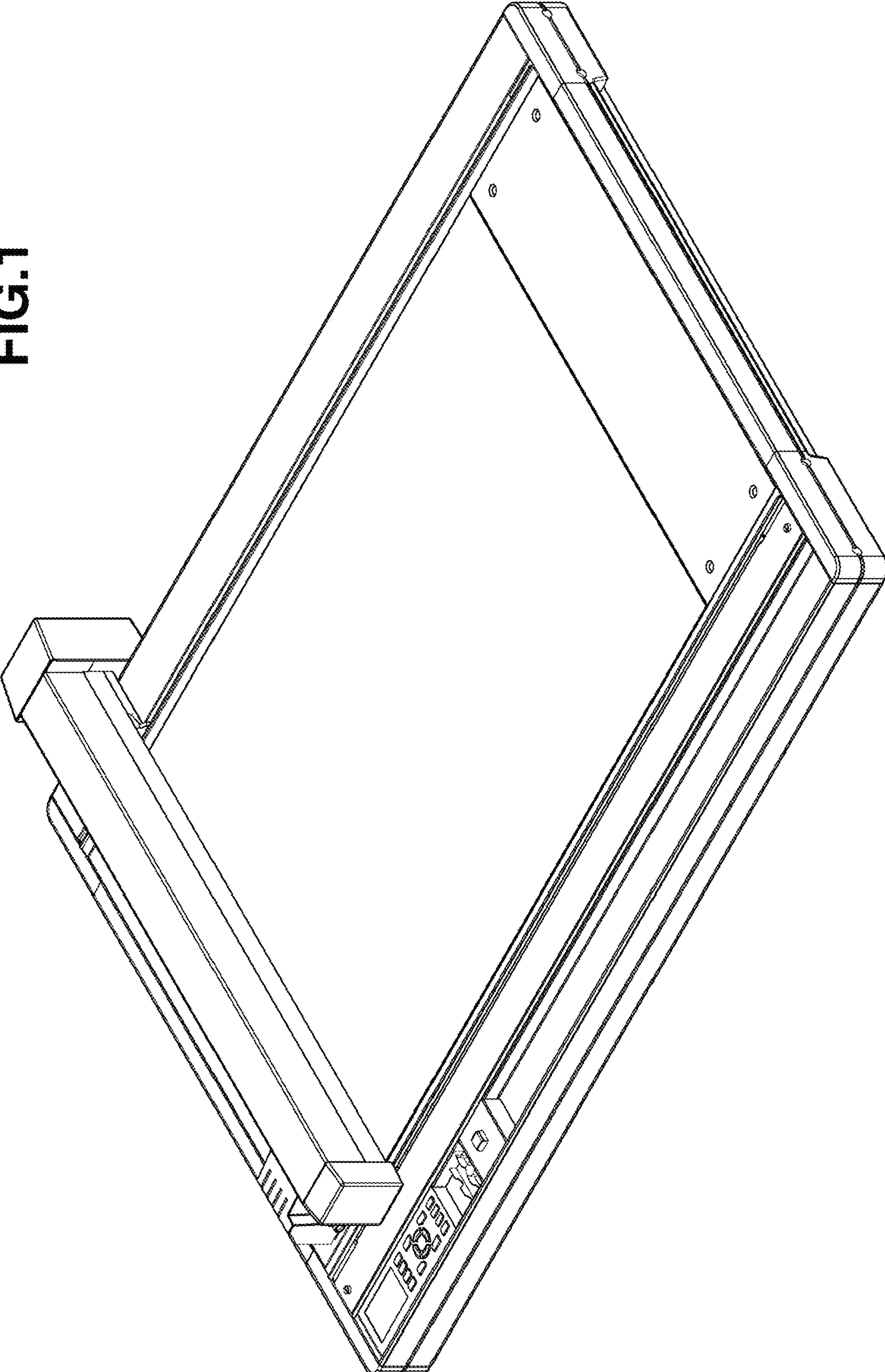


FIG.2

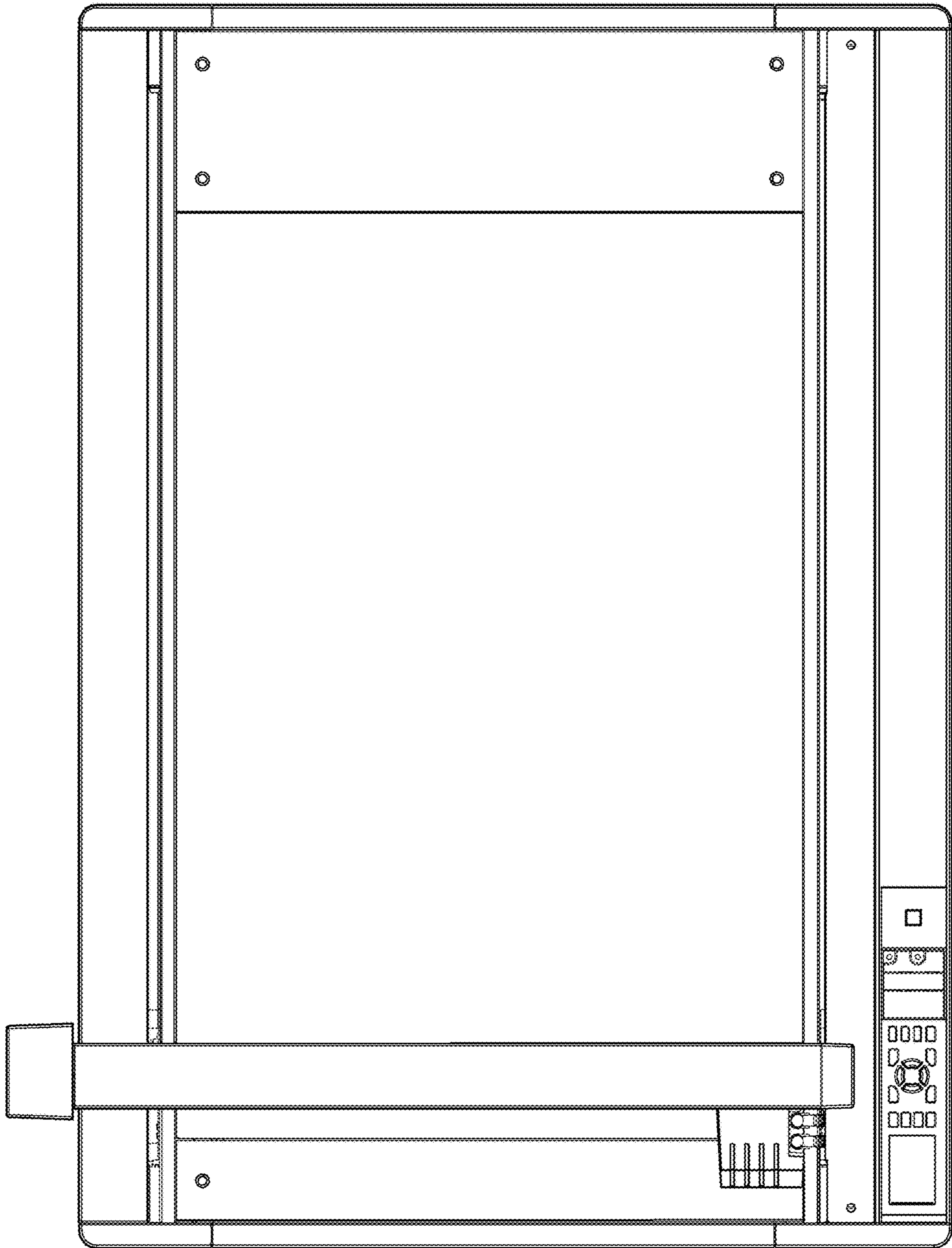


FIG.3

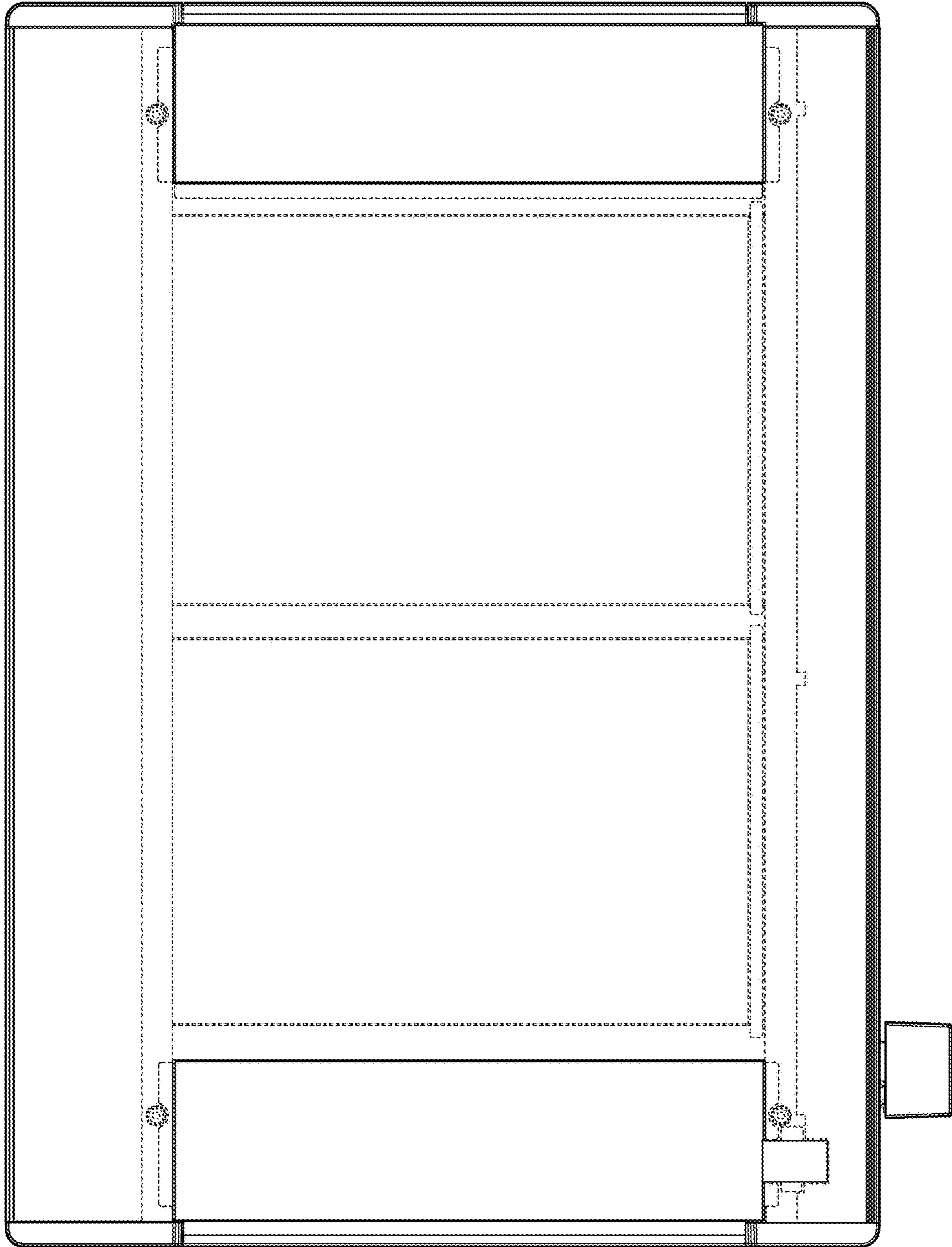


FIG.4

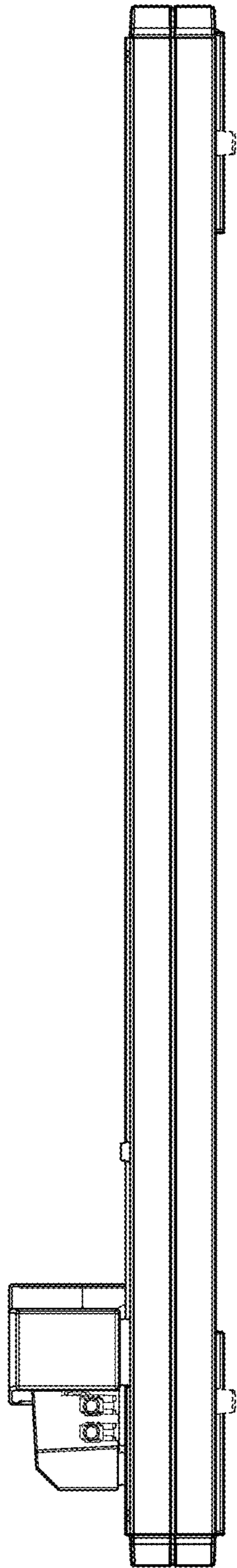


FIG.5

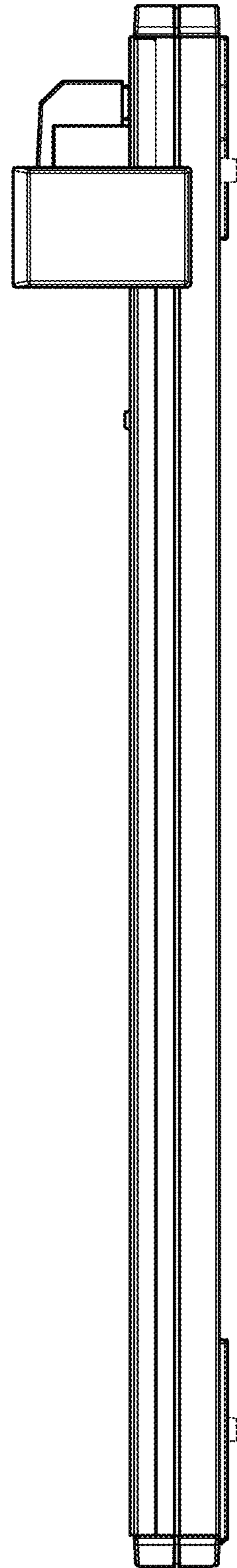


FIG.6

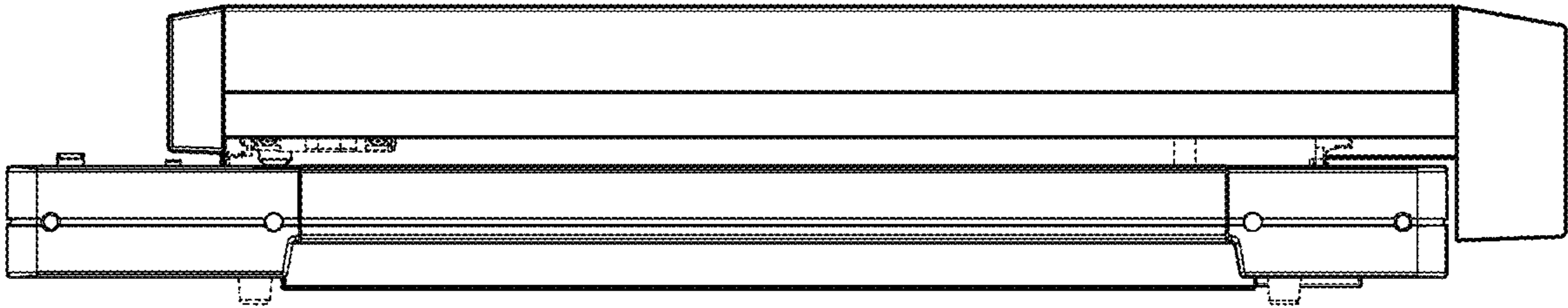


FIG.7

