



US00D874558S

(12) **United States Design Patent**
Ridinger

(10) **Patent No.:** **US D874,558 S**

(45) **Date of Patent:** **** Feb. 4, 2020**

(54) **CLIP-ON MUSICAL INSTRUMENT TUNER WITH REMOVABLE PICK HOLDER**

(71) Applicant: **Stephen T. Ridinger**, Irvine, CA (US)

(72) Inventor: **Stephen T. Ridinger**, Irvine, CA (US)

(73) Assignee: **Evets Corporation**, Irvine, CA (US)

(**) Term: **15 Years**

(21) Appl. No.: **29/650,154**

(22) Filed: **Jun. 5, 2018**

(51) **LOC (12) Cl.** **17-99**

(52) **U.S. Cl.**
USPC **D17/99; D14/188**

(58) **Field of Classification Search**
USPC D17/99, 20, 13; D14/188
CPC G10G 7/02; G10D 3/14
See application file for complete search history.

(56) **References Cited**

U.S. PATENT DOCUMENTS

D126,040 S *	3/1941	Alemany	D17/20
D301,892 S *	6/1989	Jablonski	D17/20
D317,933 S *	7/1991	Yoshitake	D14/299
D426,226 S *	6/2000	Ridinger	D14/188
D487,905 S *	3/2004	Nelson	D17/99
D604,760 S *	11/2009	Small	D17/20
D629,837 S *	12/2010	Ishihara	D17/20
D688,301 S *	8/2013	Ando	D17/20
D709,124 S *	7/2014	Ridinger	D17/99
D768,233 S *	10/2016	Campling	D17/20
D775,271 S *	12/2016	Ridinger	D14/188
2010/0269666 A1 *	10/2010	D'Addario	G10D 3/043 84/318

(Continued)

Primary Examiner — R. Johnson

(74) *Attorney, Agent, or Firm* — Joseph T. Leone, Esq.; DeWitt LLP

(57) **CLAIM**

The ornamental design for a clip-on musical instrument tuner with removable pick holder, as shown and described.

DESCRIPTION

FIG. 1 is a front perspective view of a clip-on musical instrument tuner without the removable pick holder showing my new design.

FIG. 2 is a rear perspective view thereof.

FIG. 3 is a front elevational view thereof.

FIG. 4 is a rear elevational view thereof.

FIG. 5 is a left elevational view thereof.

FIG. 6 is a right elevational view thereof.

FIG. 7 is a top plan view thereof,

FIG. 8 is a bottom plan view thereof,

FIG. 9 is a front perspective view of a removable pick holder in isolation that mates with the clip-on musical instrument tuner shown in FIGS. 1-8. The rear perspective view is a mirror image of FIG. 9.

FIG. 10 is a bottom perspective thereof.

FIG. 11 is a front elevational view thereof. The rear elevational view is a mirror image thereof.

FIG. 12 is a right elevational view thereof. The left elevational view is a mirror image thereof.

FIG. 13 is a top plan view thereof.

FIG. 14 is a bottom plan view thereof.

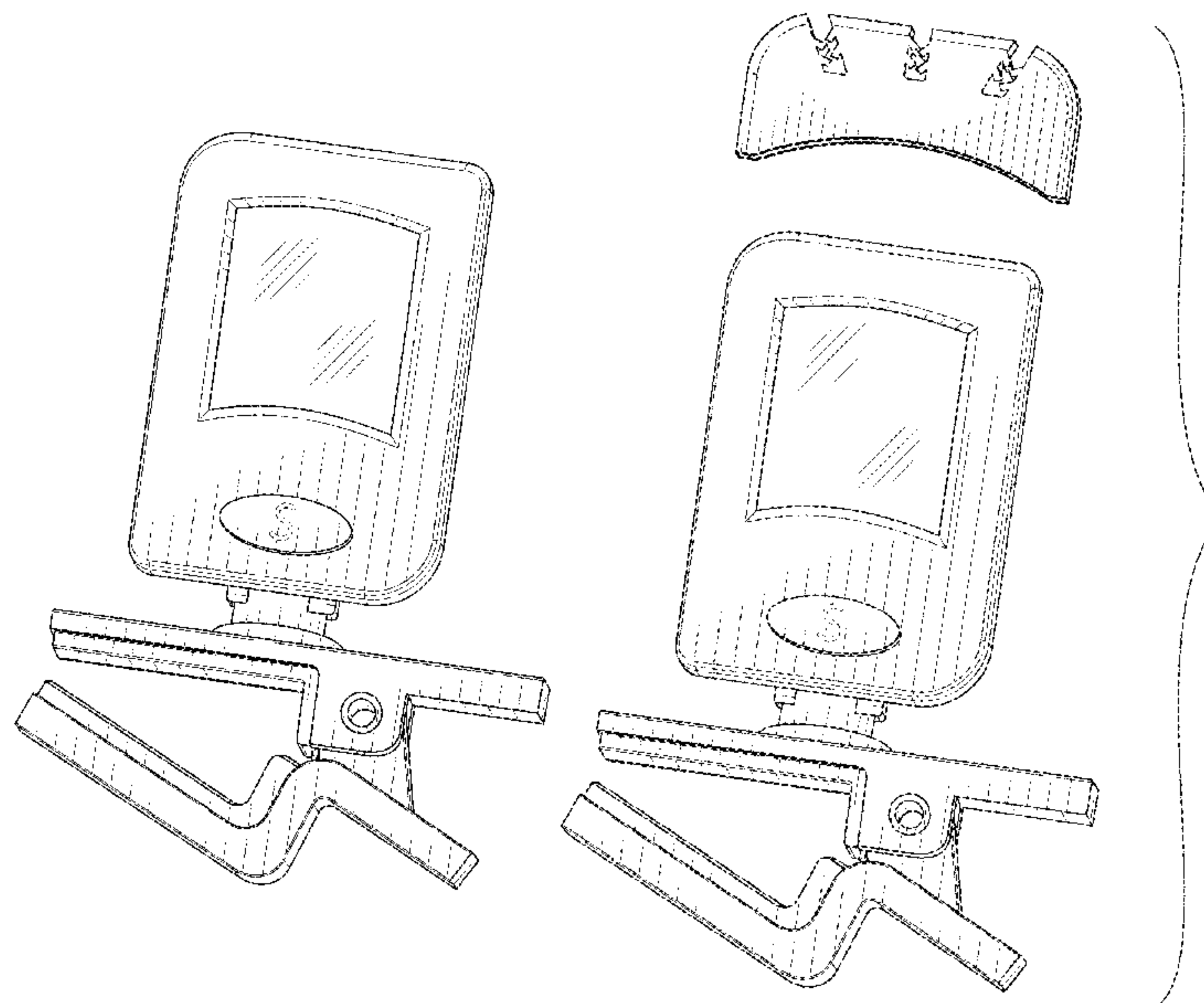
FIG. 15 is a front perspective view showing the clip-on musical instrument tuner with the removable pick holder attached.

FIG. 16 is an exploded front perspective view showing the clip-on musical instrument tuner and the removable pick holder; and,

FIG. 17 is a rear perspective view showing the clip-on musical instrument tuner with the removable pick holder attached.

The broken lines in the drawings represent the portions of the design that form no part of the claim.

1 Claim, 12 Drawing Sheets



(56)

References Cited

U.S. PATENT DOCUMENTS

2010/0294112 A1 * 11/2010 Asakura G10G 7/02
84/613

* cited by examiner

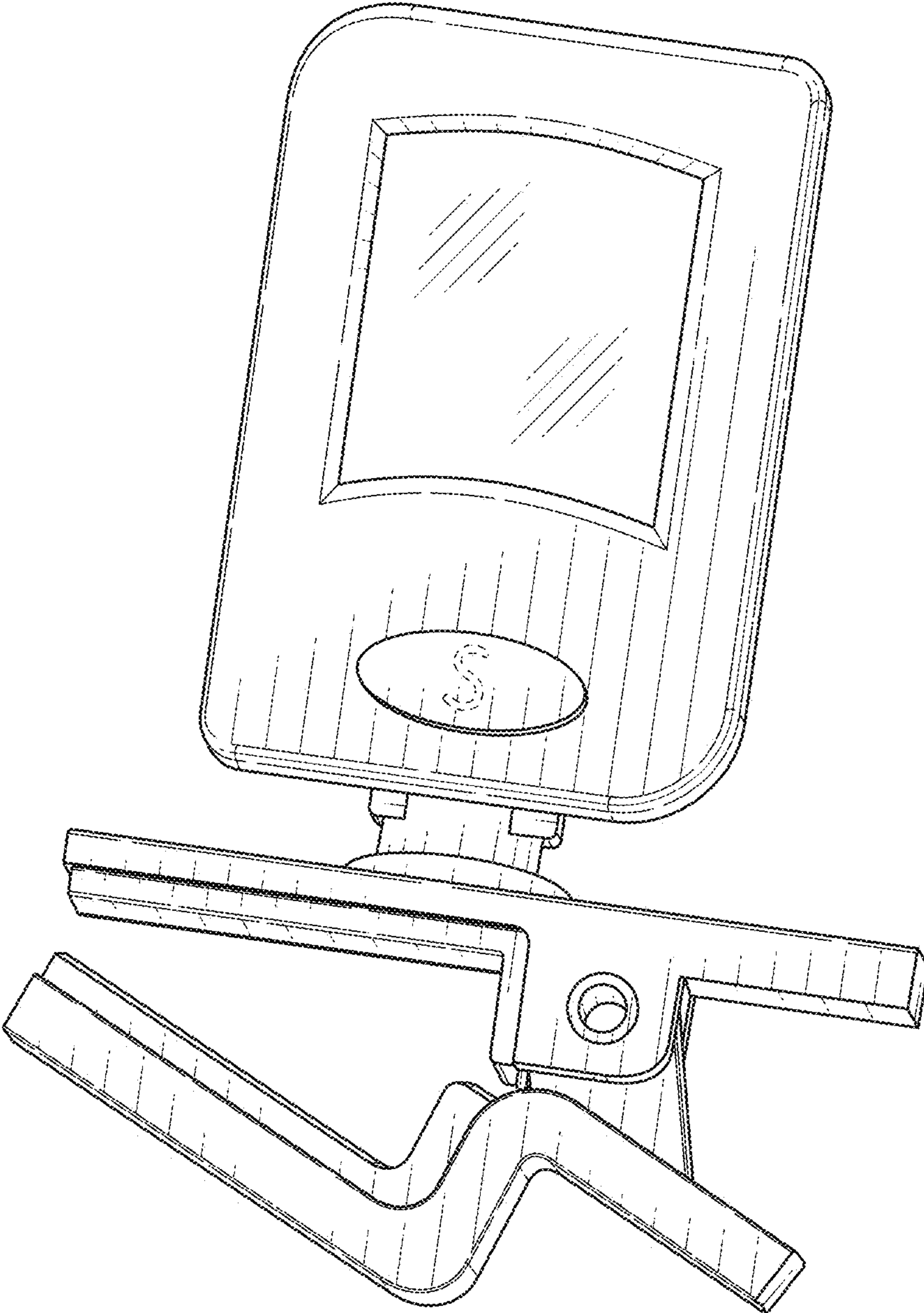


FIG. 1

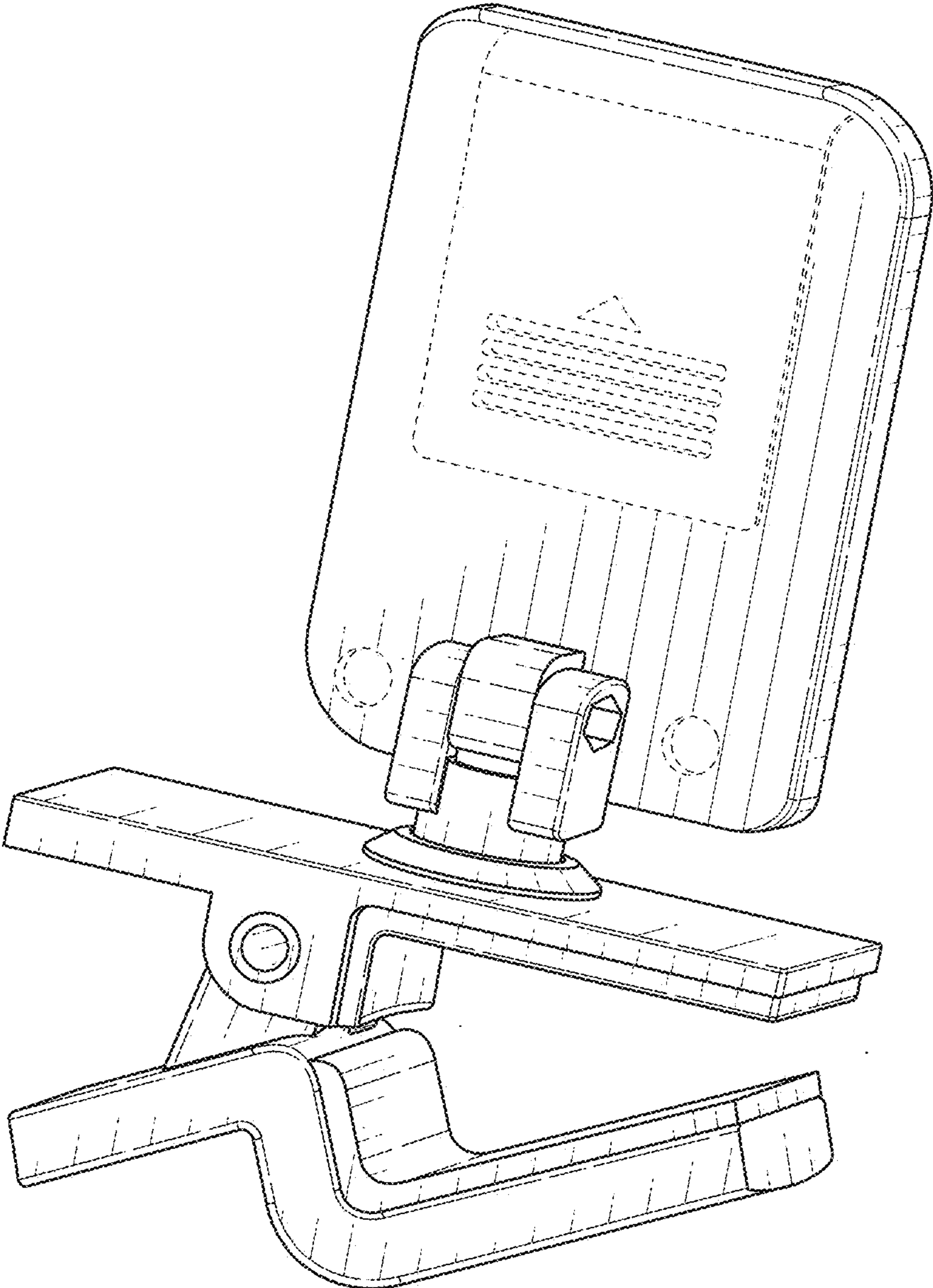


FIG. 2

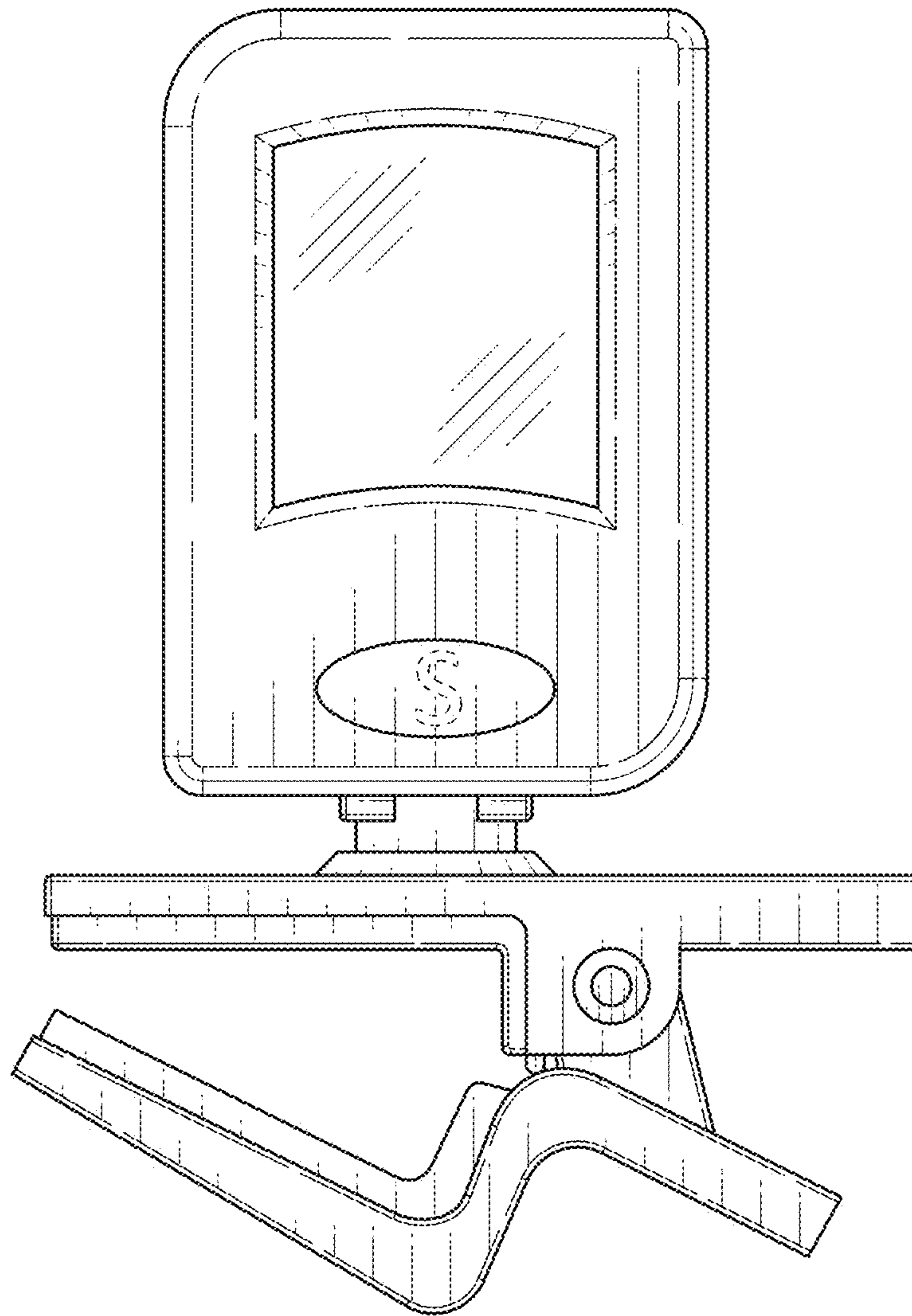


FIG. 3

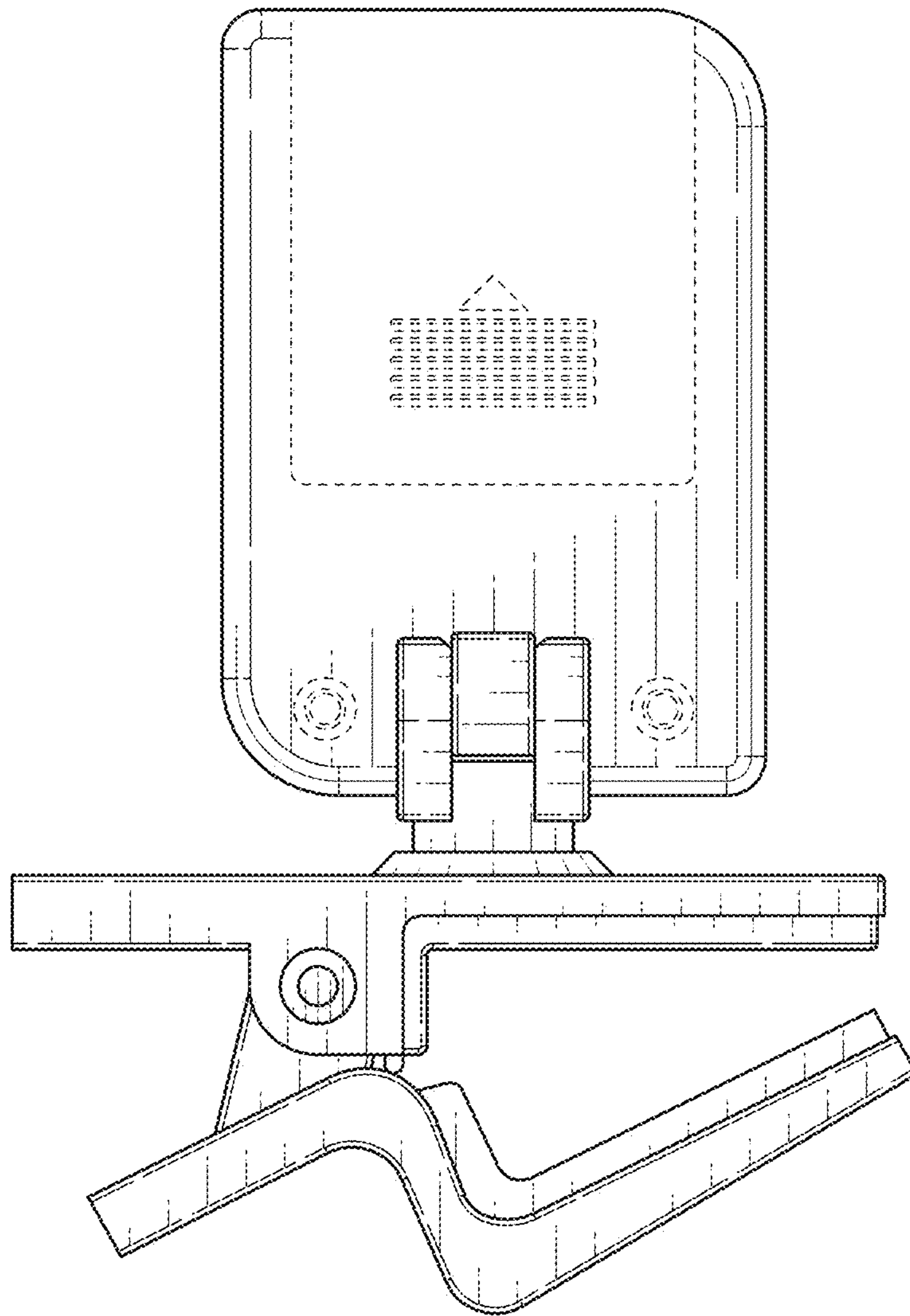


FIG. 4

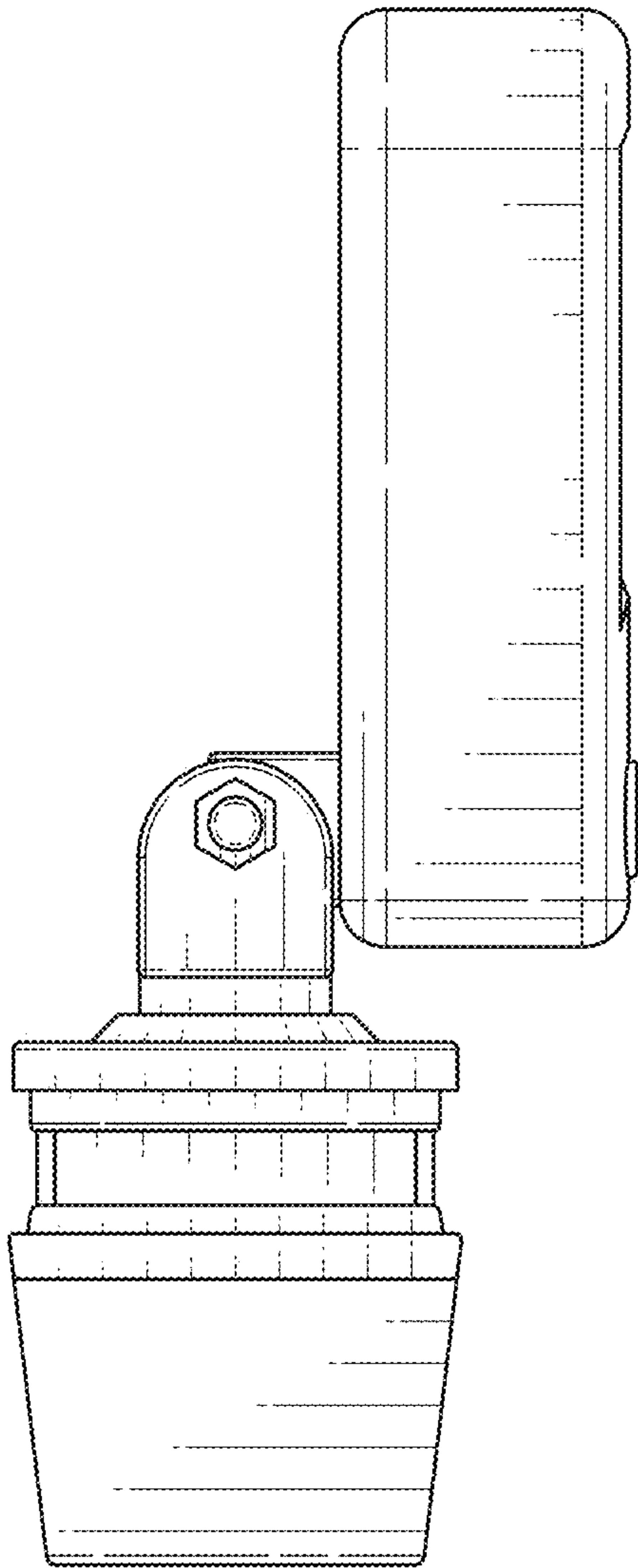


FIG. 5

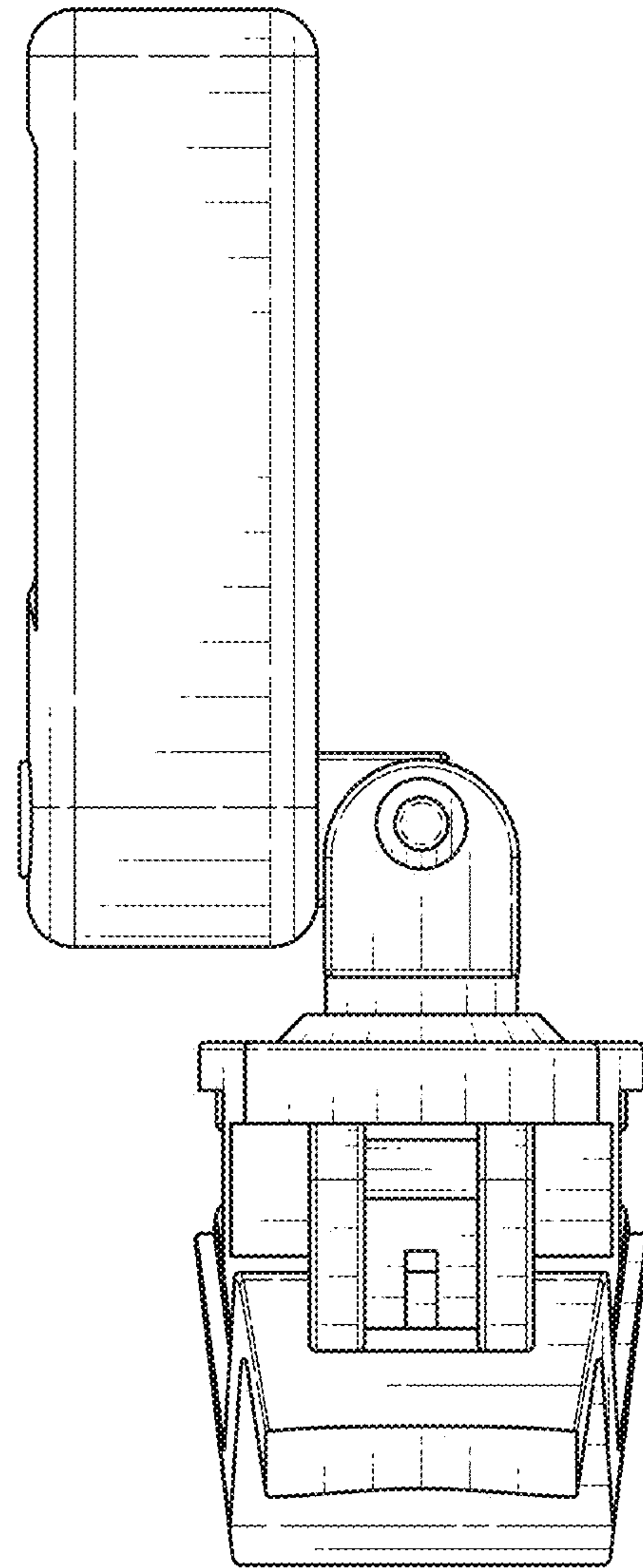


FIG. 6

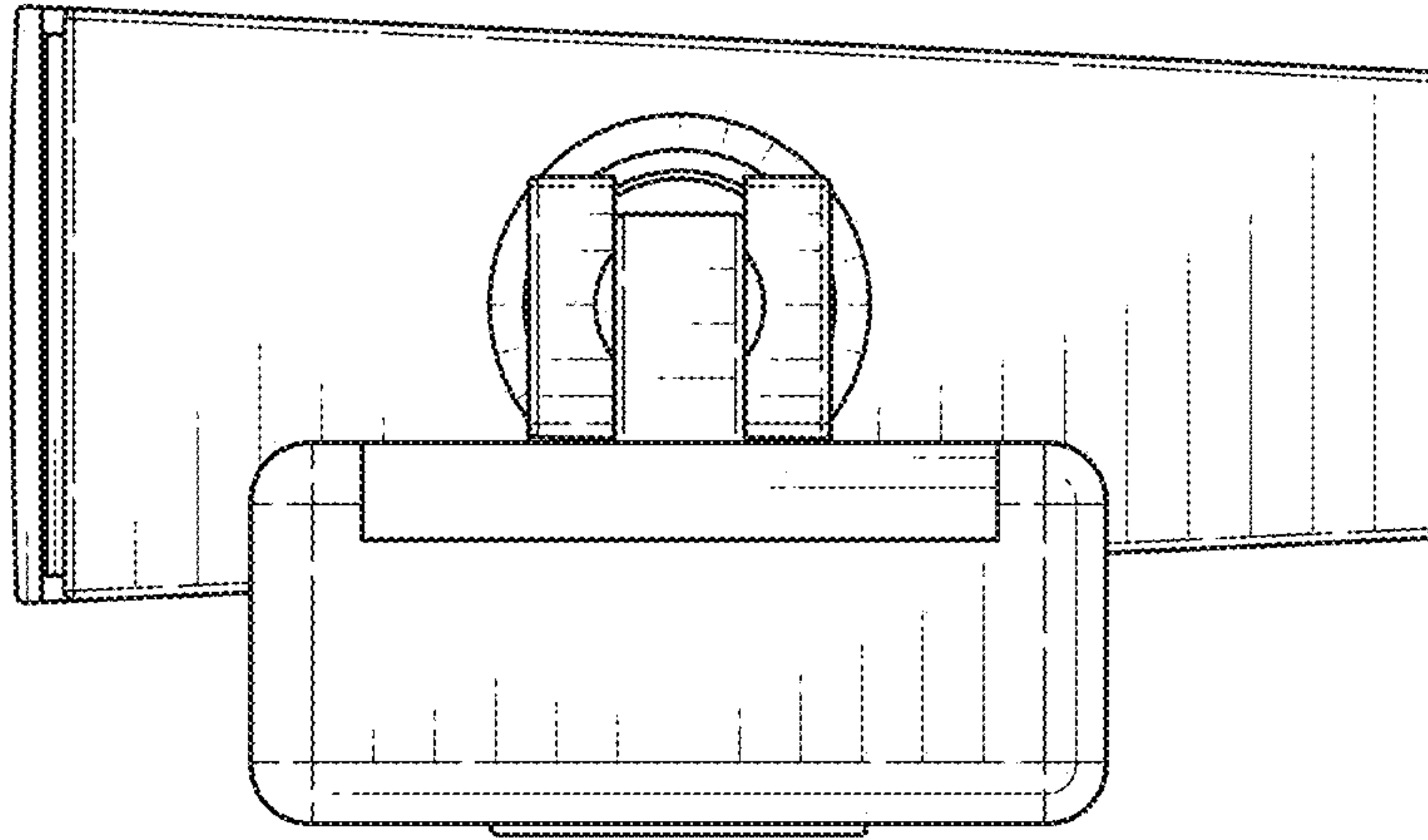


FIG. 7

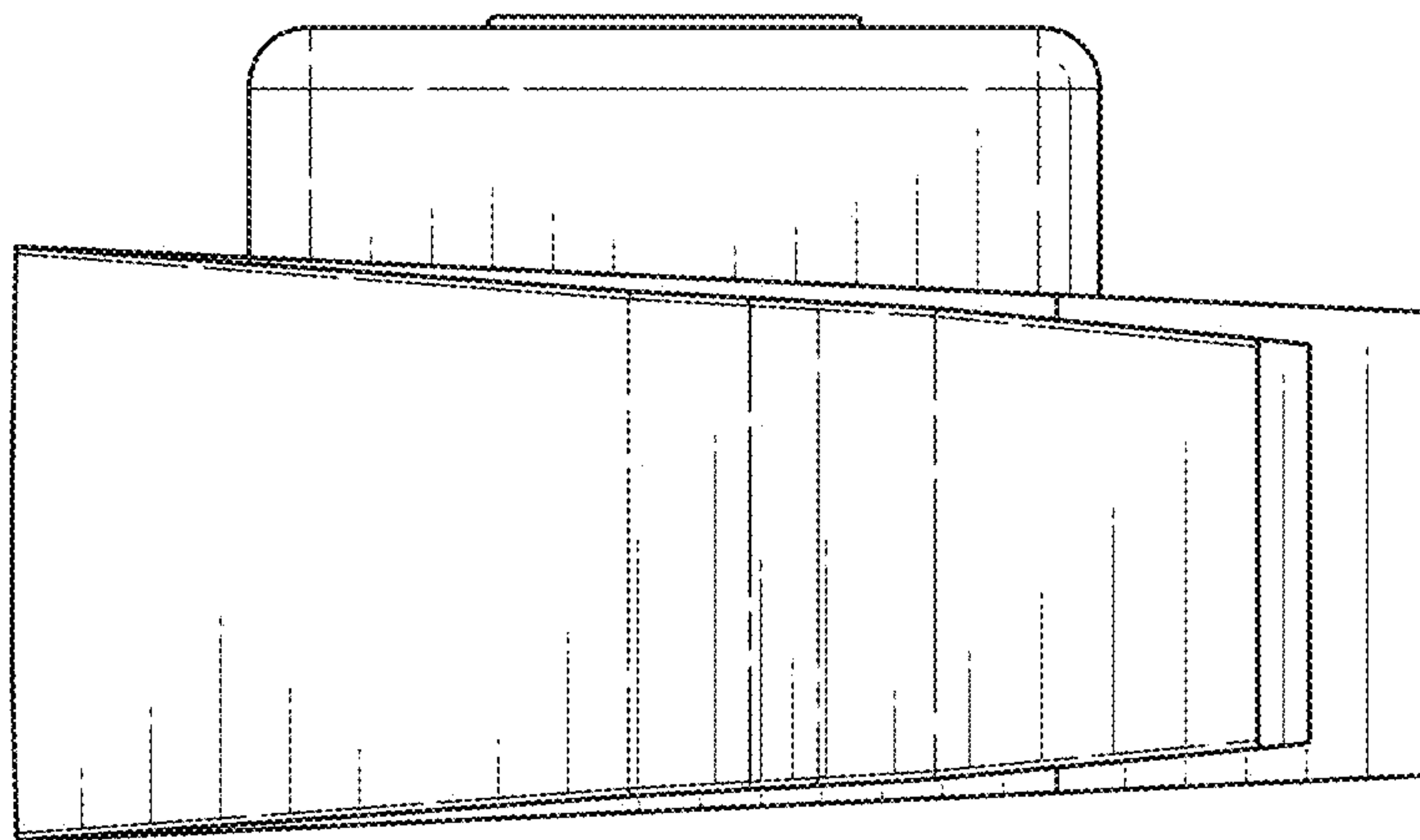


FIG. 8

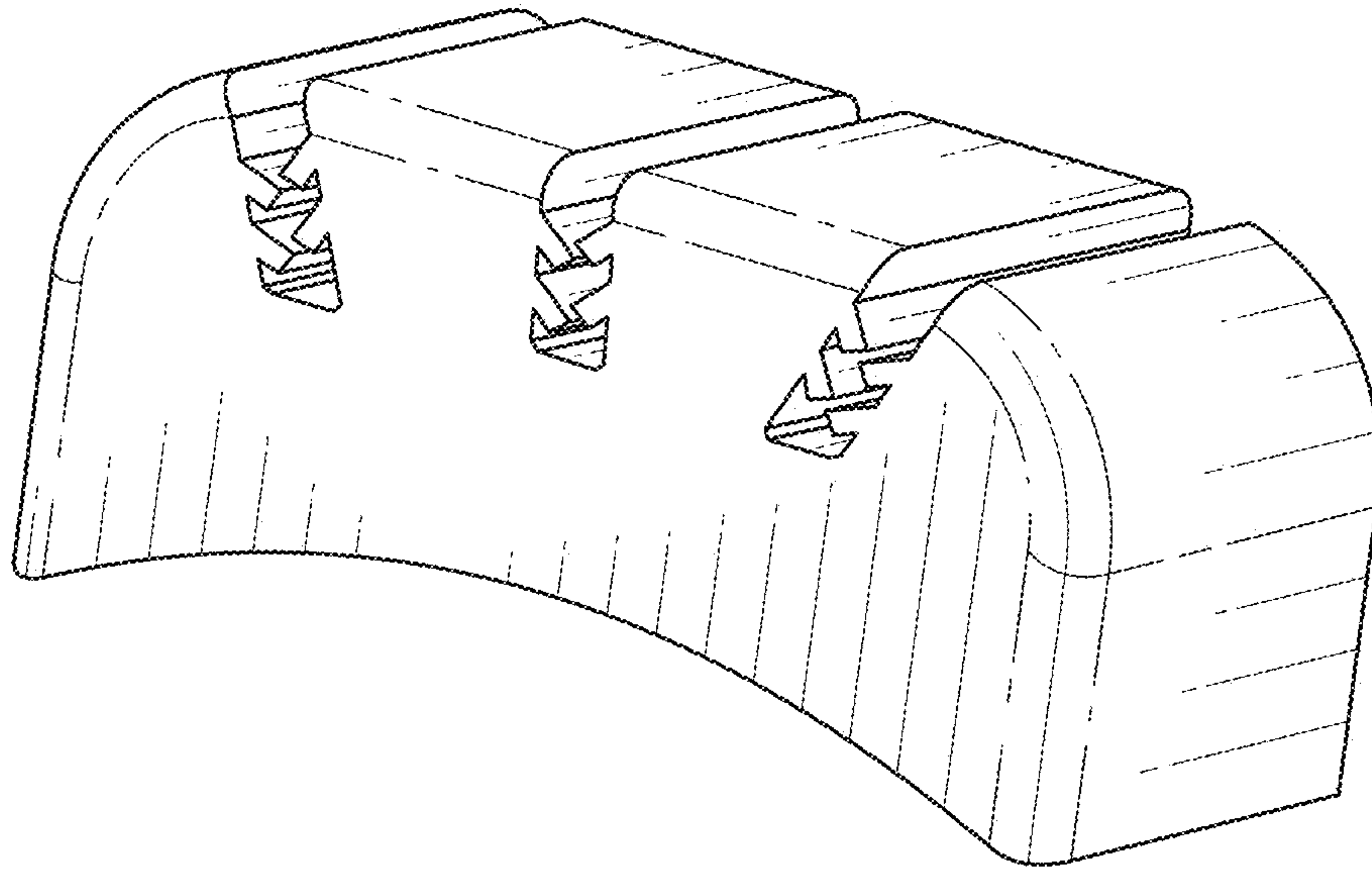


FIG. 9

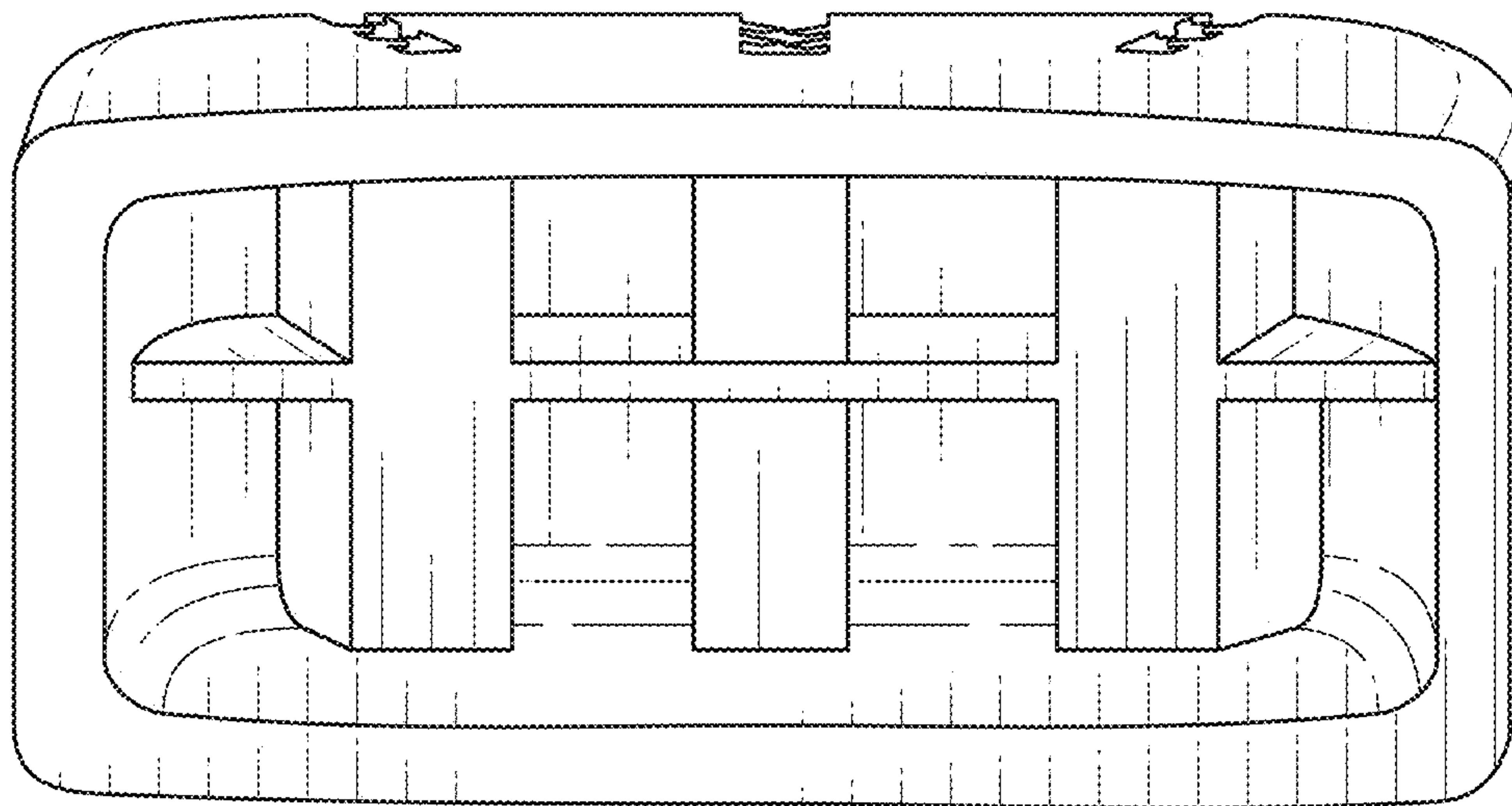


FIG. 10

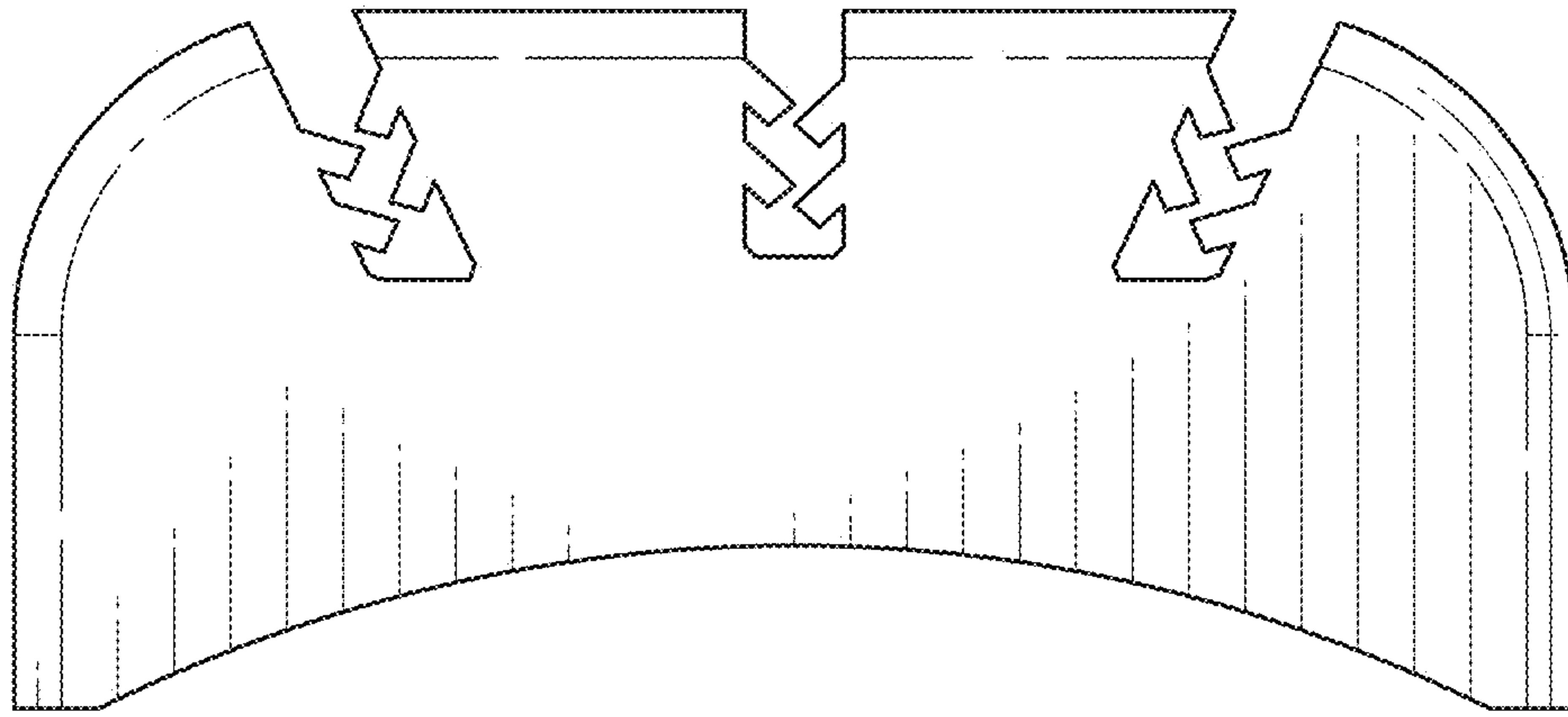


FIG. 11

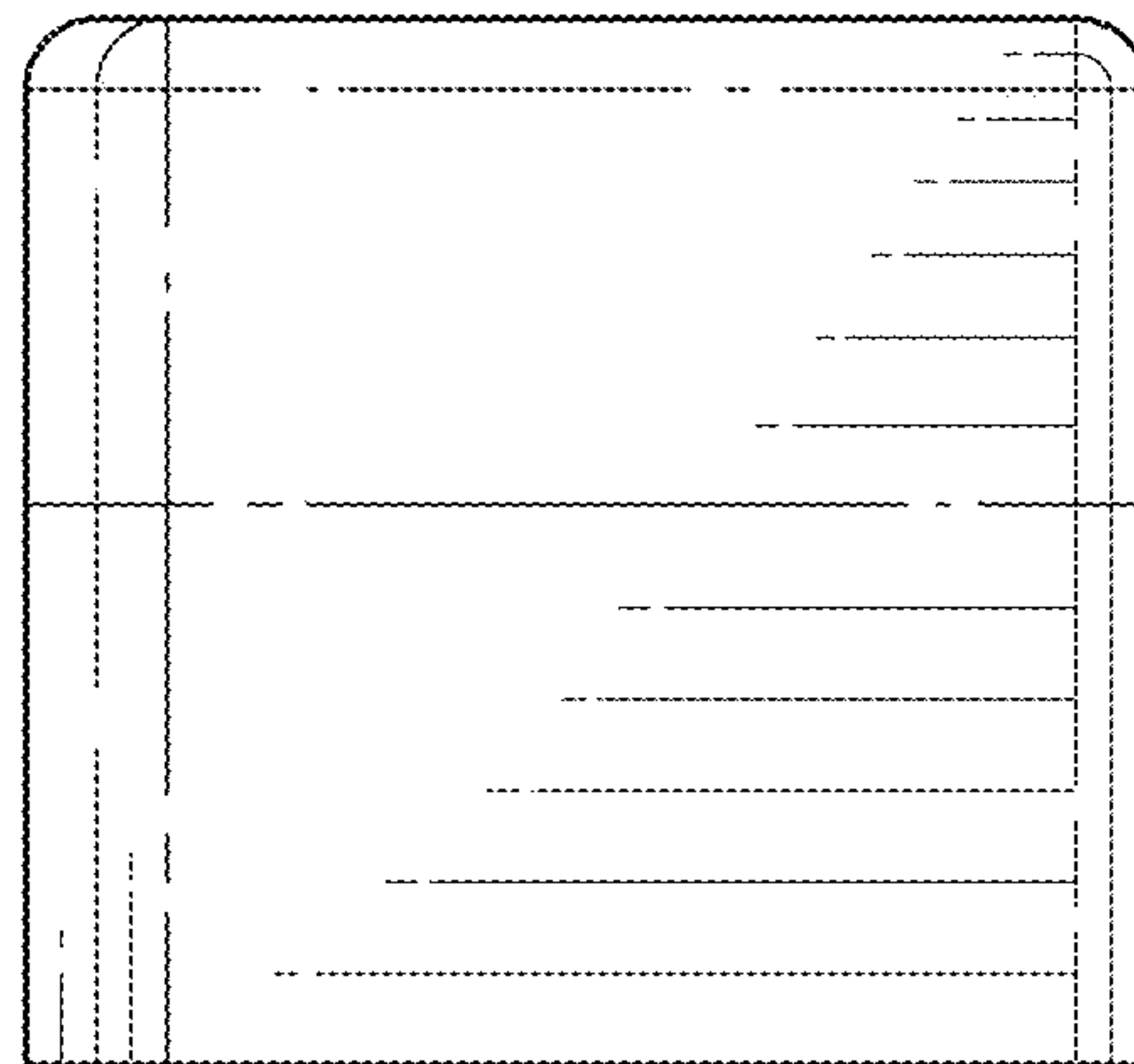


FIG. 12

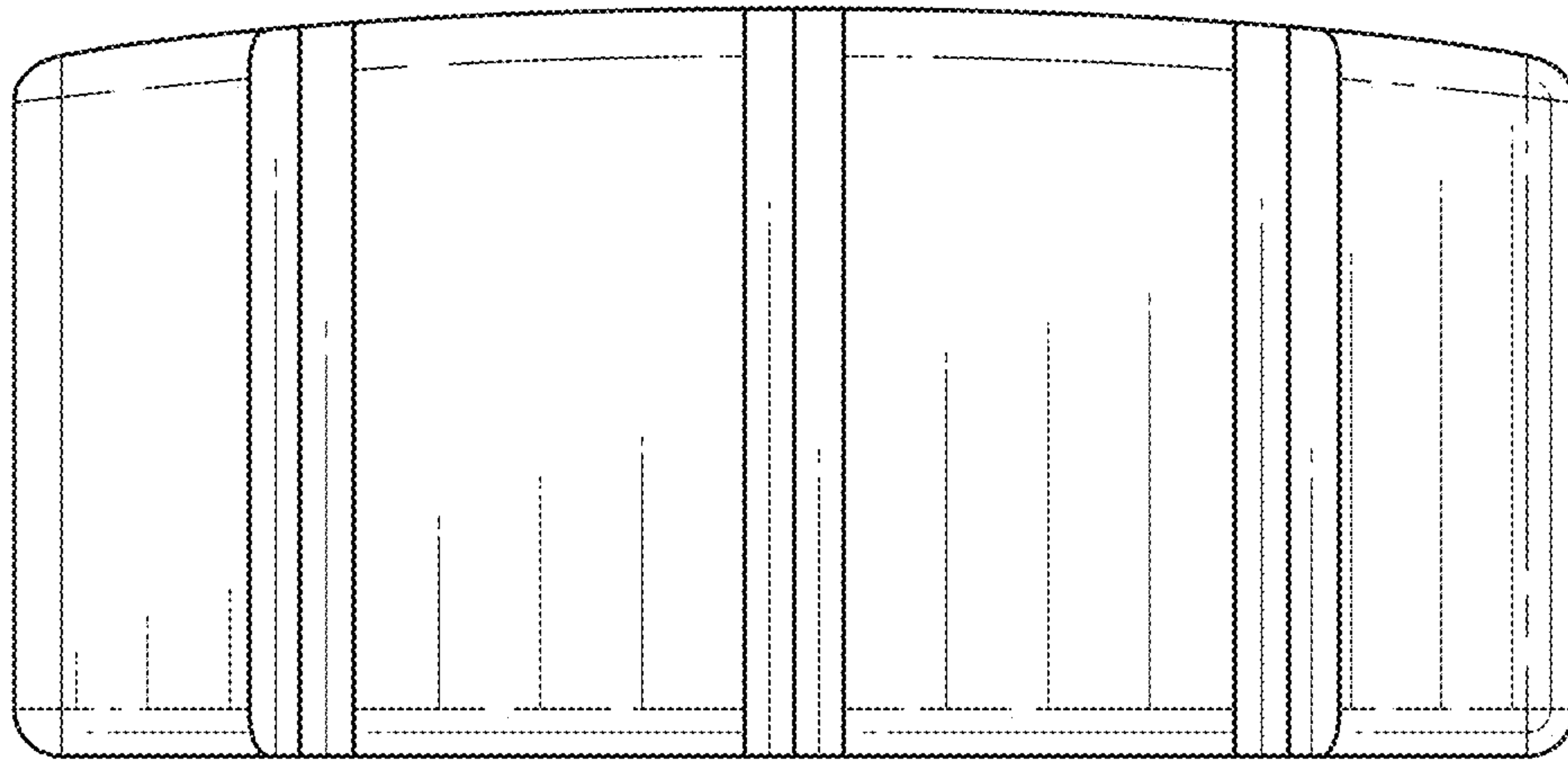


FIG. 13

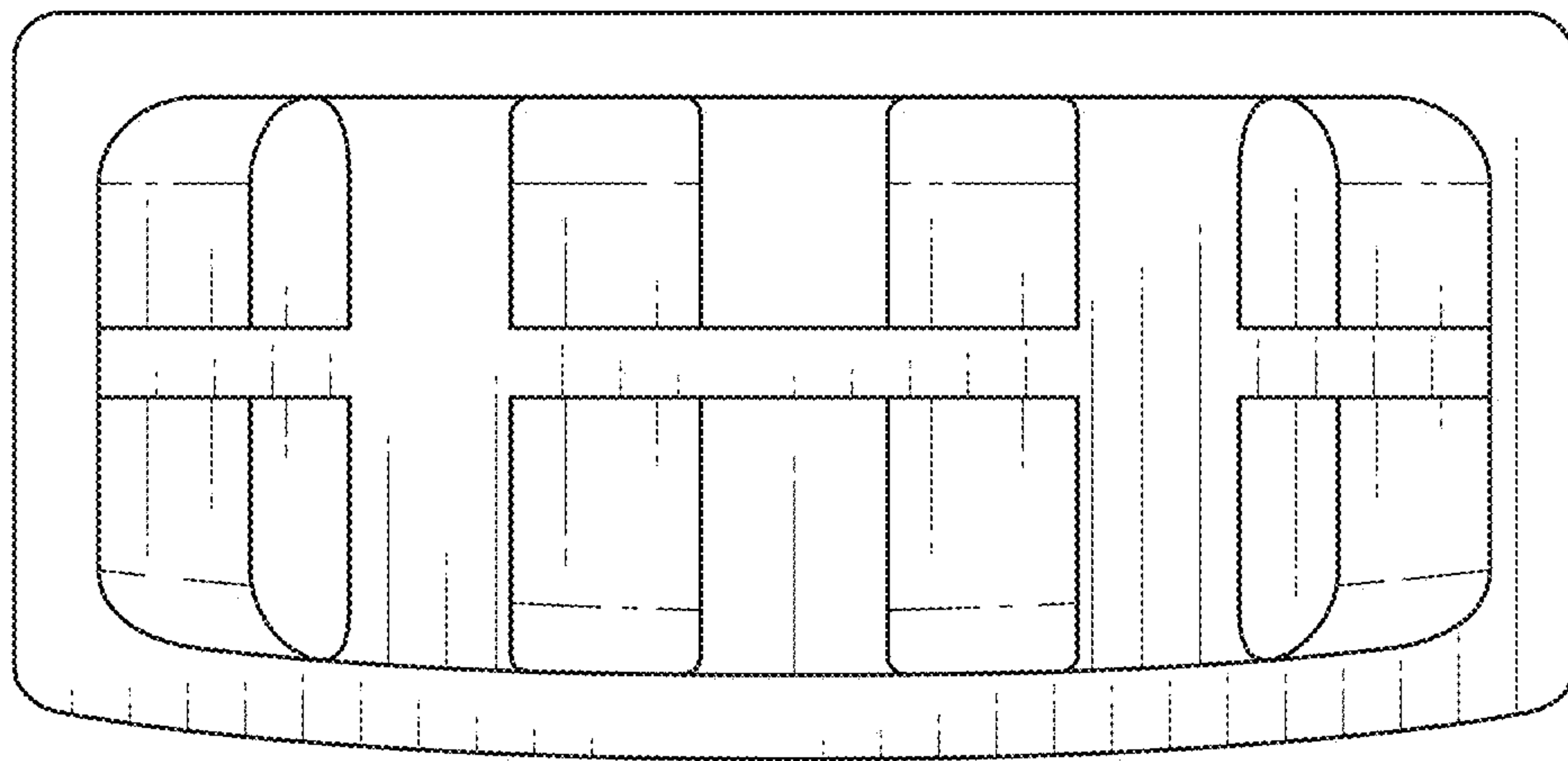


FIG. 14

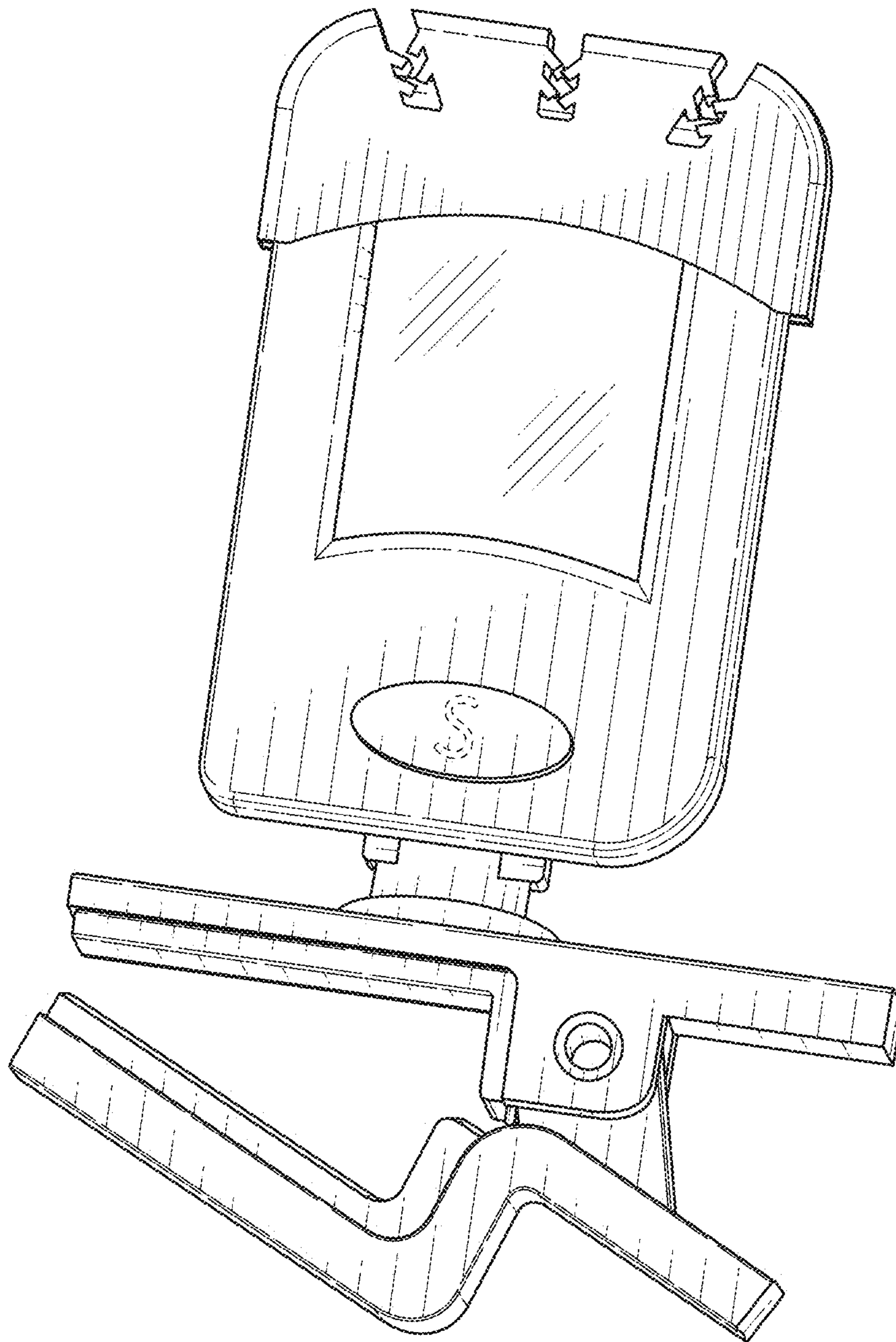


FIG. 15

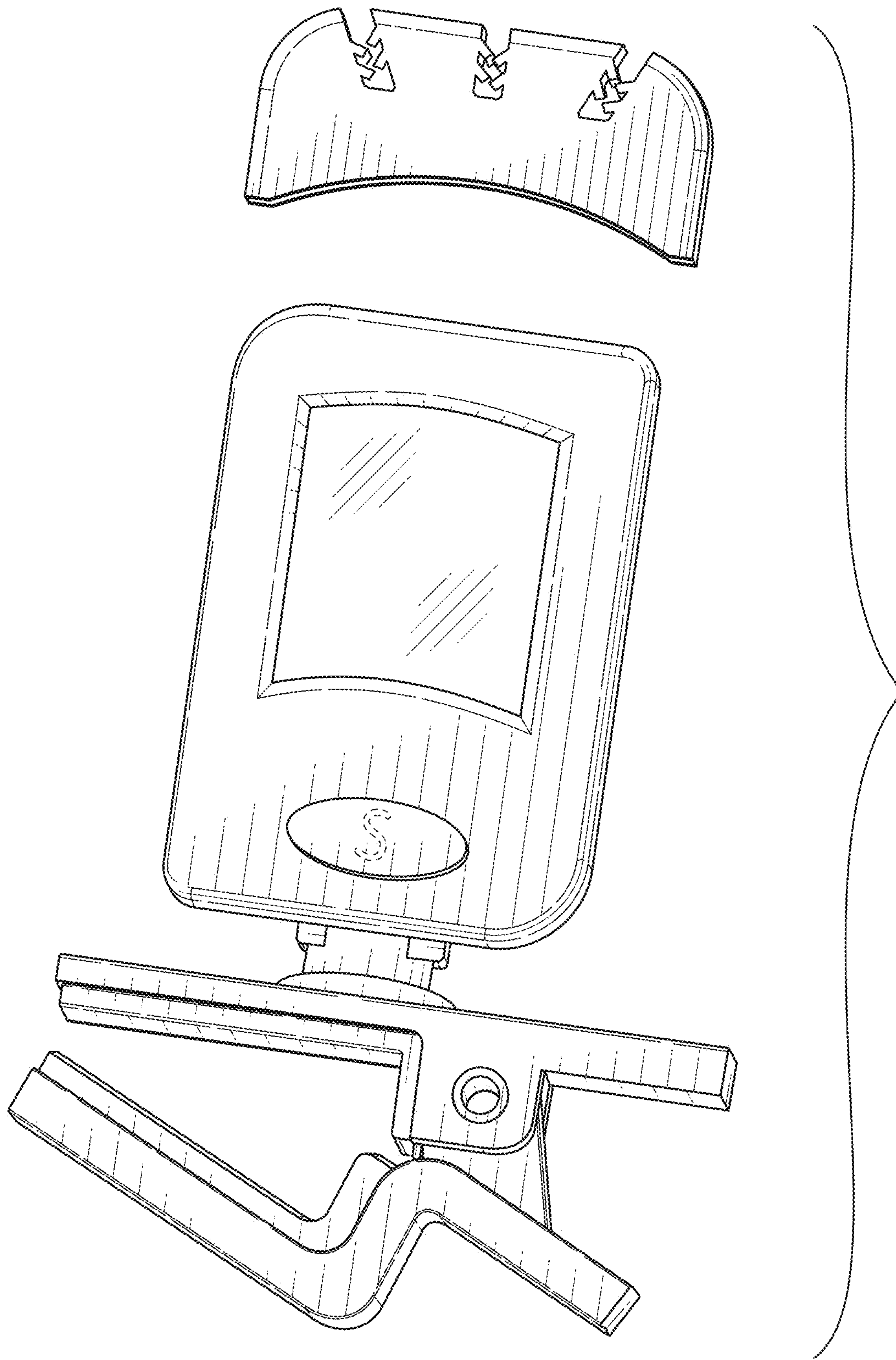


FIG. 16

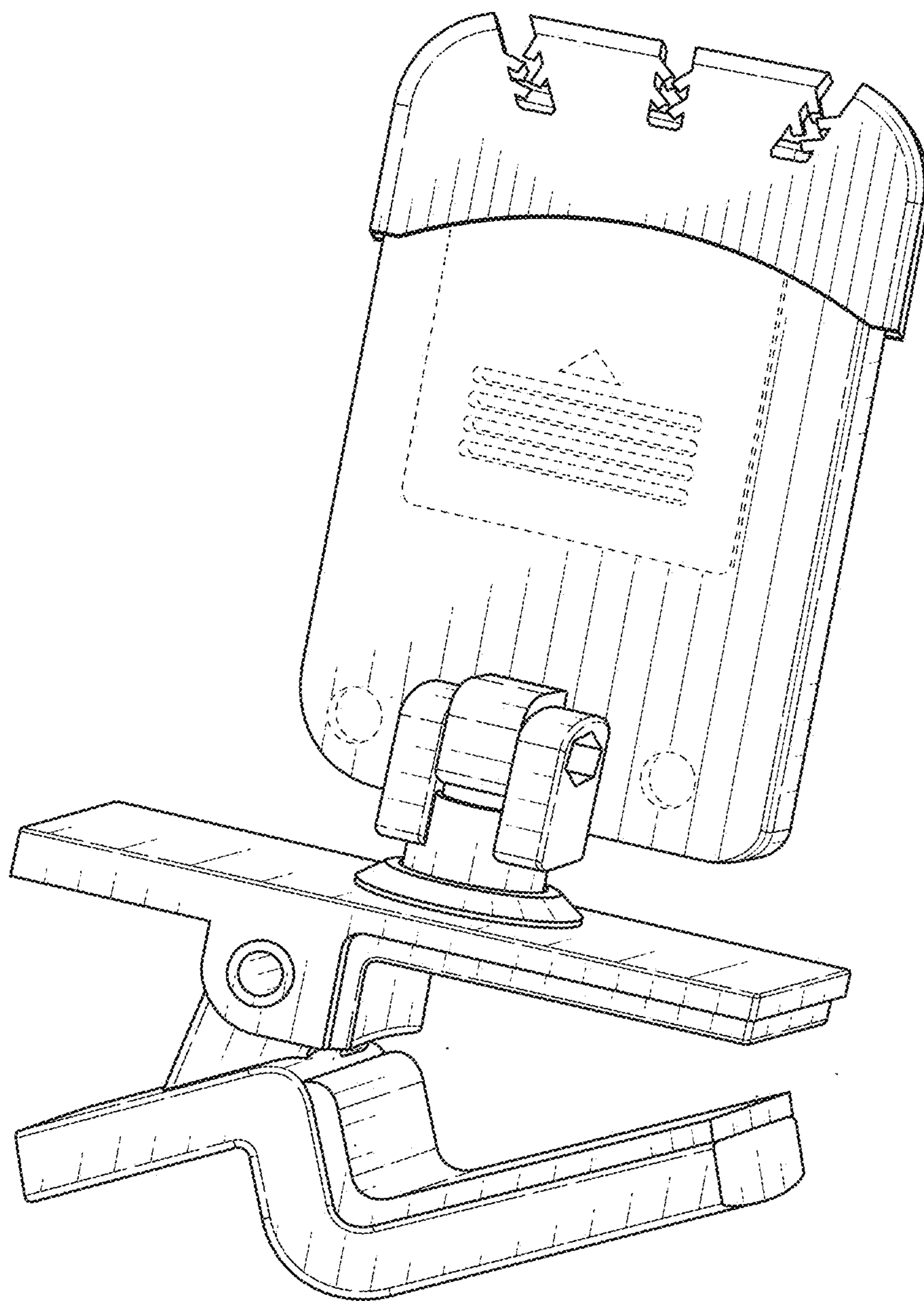


FIG. 17