



US00D874557S

(12) **United States Design Patent**
Chen

(10) **Patent No.:** **US D874,557 S**

(45) **Date of Patent:** **** Feb. 4, 2020**

(54) **SUNSHADE**

7,603,723 B2 * 10/2009 Ulm A61F 9/04
2/15

(71) Applicant: **Shenzhen Qingchun Dongli
Technology Co., Ltd.**, Shenzhen,
Guangdong Province (CN)

D776,748 S * 1/2017 Linrothe D16/301
D777,824 S * 1/2017 DeMarie D16/301

(72) Inventor: **Wenjiao Chen**, Lufeng (CN)

* cited by examiner

(73) Assignee: **Shenzhen Qingchun Dongli
Technology Co., Ltd.**, Shenzhen (CN)

Primary Examiner — Randall H Gholson

(74) *Attorney, Agent, or Firm* — ScienBiziP, P.C.

(**) Term: **15 Years**

(21) Appl. No.: **29/622,188**

(57) **CLAIM**

(22) Filed: **Oct. 15, 2017**

The ornamental design for a sunshade, as shown and described.

(51) **LOC (12) Cl.** **16-06**

(52) **U.S. Cl.**
USPC **D16/340**

(58) **Field of Classification Search**
USPC D16/101, 300–342, 900, 100;
D29/109–110; 351/41, 44, 51–52, 62,
351/158, 92, 103–123, 140–153, 63, 59,
351/45–48; 2/426–432, 447–449, 441,
2/434–437, 440, 442, 13, 15; D21/483,
D21/659–661; D14/372; D8/356
CPC G02C 2200/08; G02C 1/06; G02C 5/14;
G02C 11/02; G02C 11/04; G01C 5/16;
A61M 2021/0044; A63B 33/002
See application file for complete search history.

DESCRIPTION

FIG. 1 is a perspective front view of a sunshade;
FIG. 2 is a front view thereof;
FIG. 3 is a rear view thereof;
FIG. 4 is a left view thereof;
FIG. 5 is a right view thereof;
FIG. 6 is a top view thereof;
FIG. 7 is a bottom view thereof; and,
FIG. 8 is an enlarged view of an area labeled 8 in FIG. 1 of the sunshade.

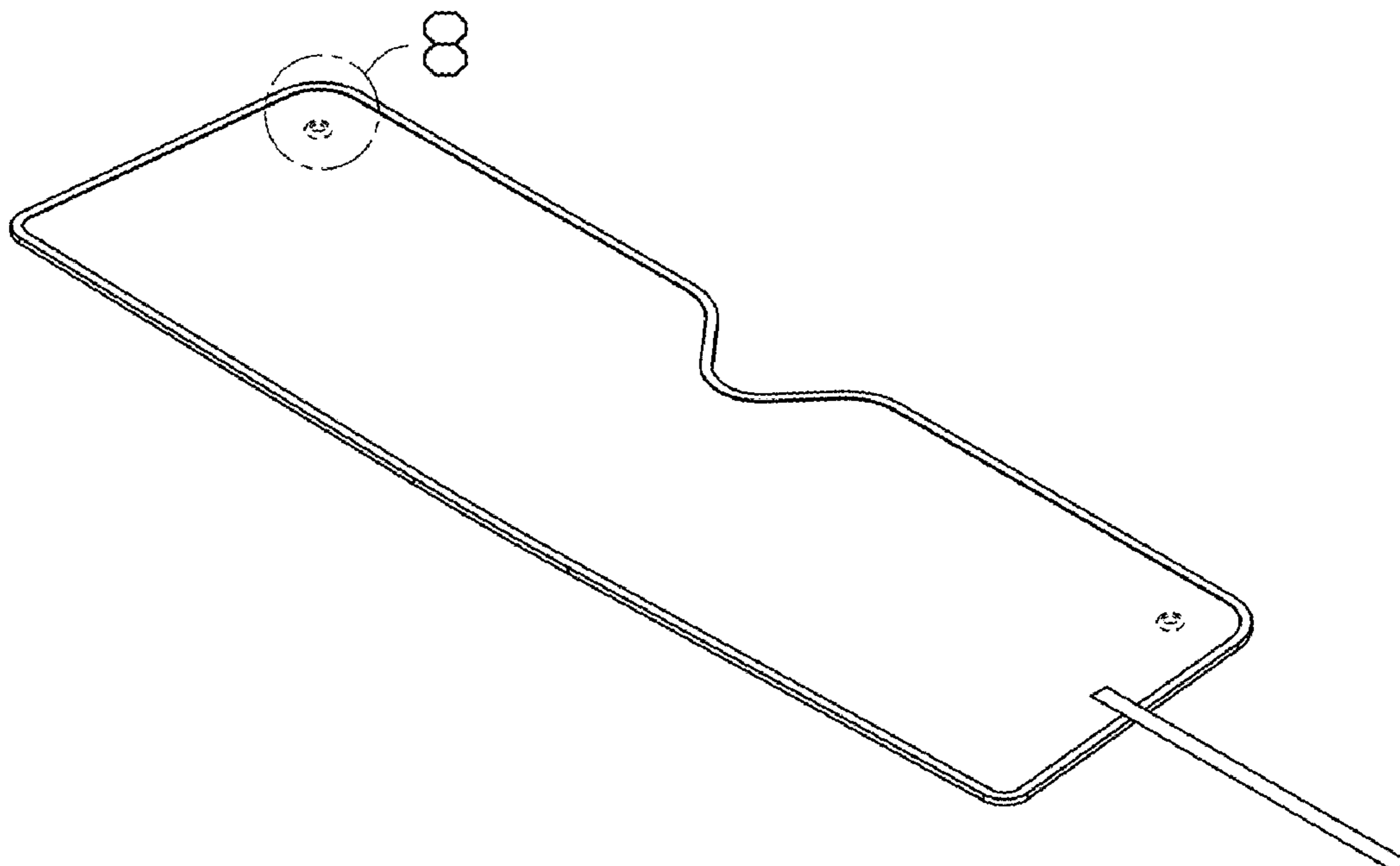
The details shown in broken lines form no part of the claimed design.

(56) **References Cited**

U.S. PATENT DOCUMENTS

1,807,475 A * 5/1931 Gibson A61F 9/04
2/15
D337,124 S * 7/1993 Hall D16/314
D565,740 S * 4/2008 Sybrandts D24/190

1 Claim, 8 Drawing Sheets



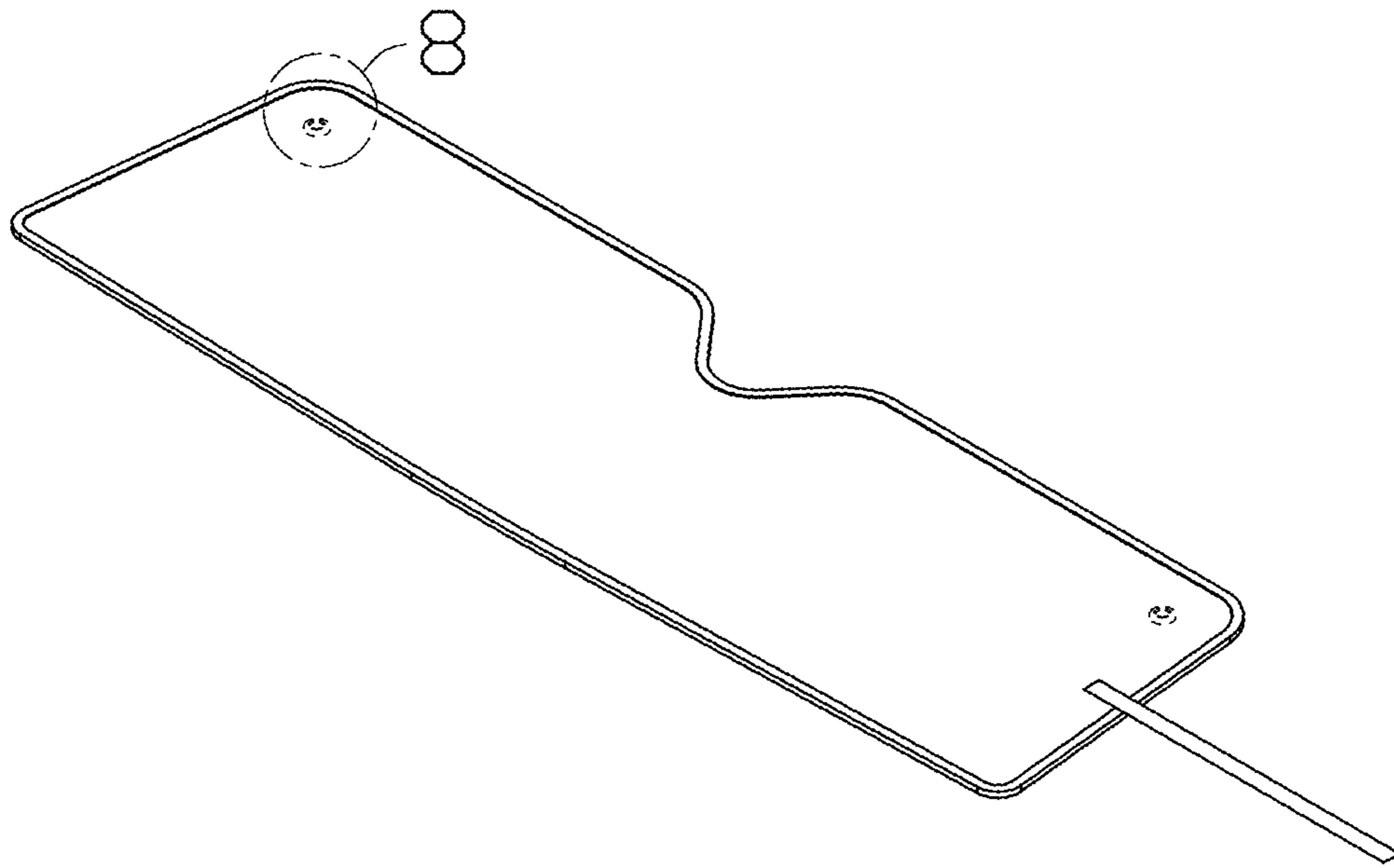


FIG. 1

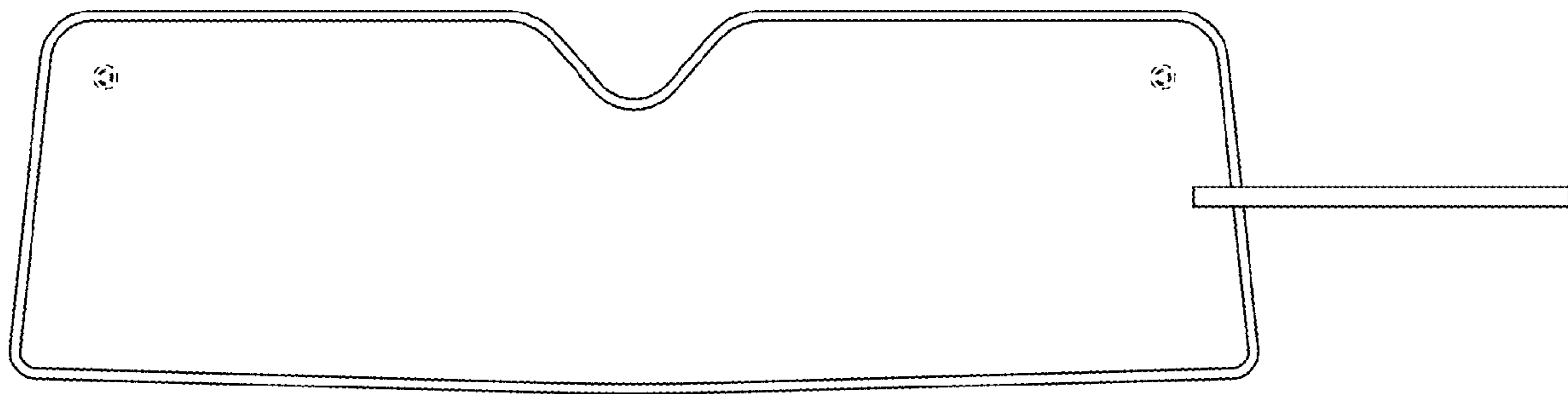


FIG. 2

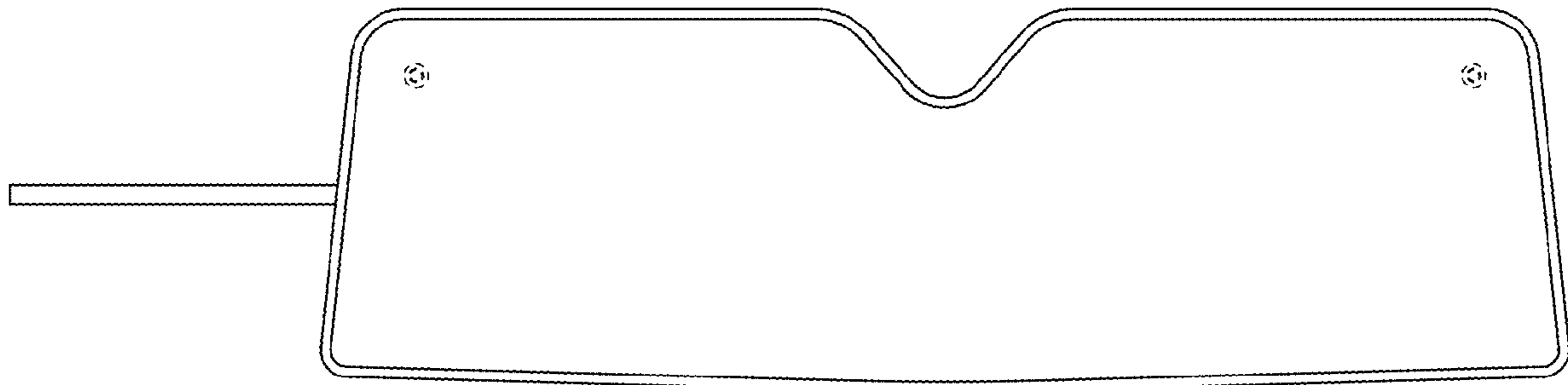


FIG. 3



FIG. 4



FIG. 5

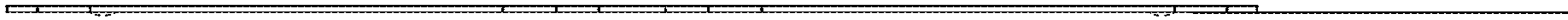


FIG. 6

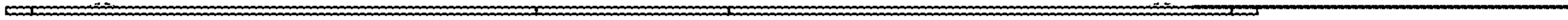


FIG. 7

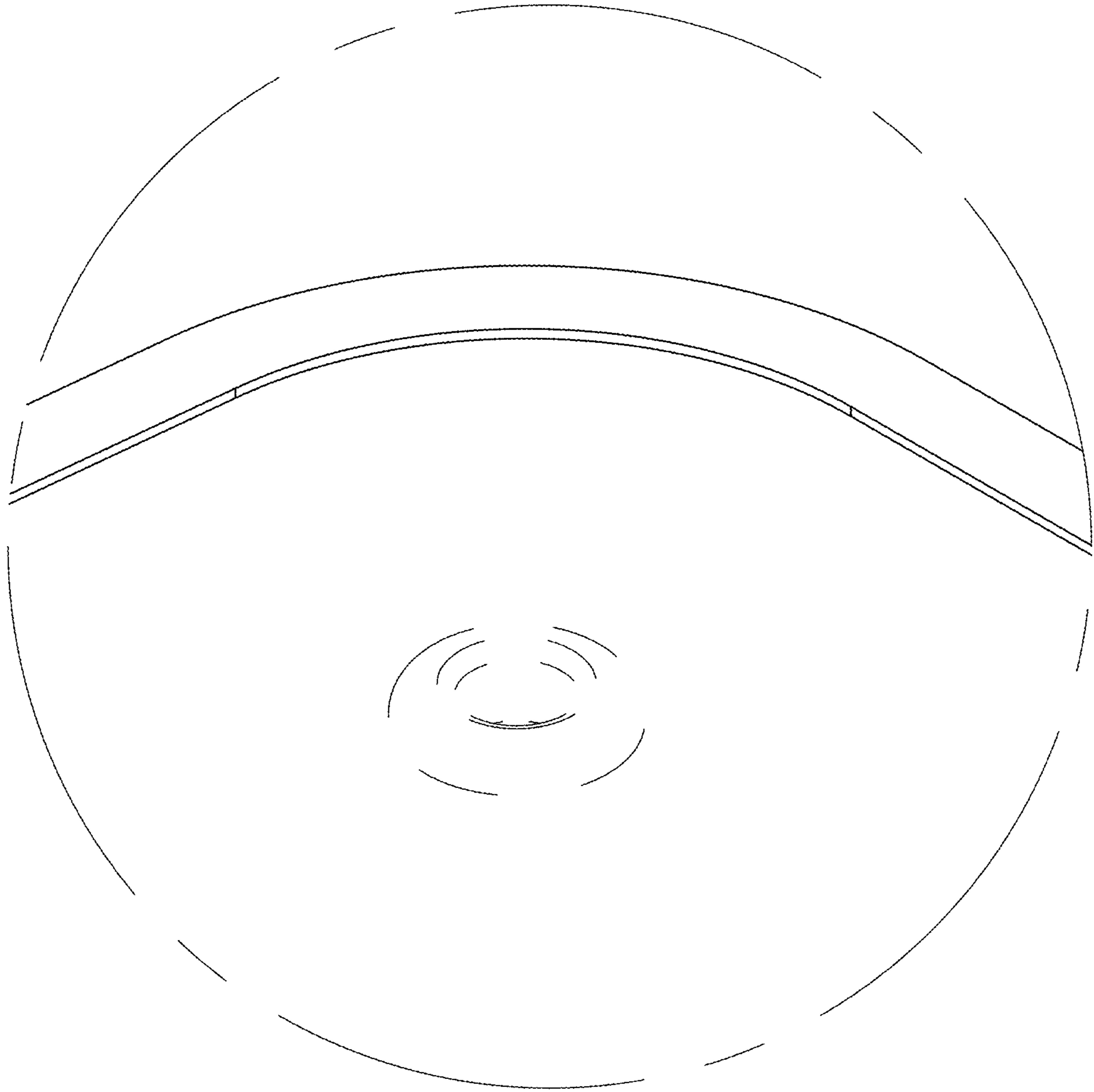


FIG. 8