



US00D874556S

(12) **United States Design Patent**
Hanudel

(10) **Patent No.:** **US D874,556 S**

(45) **Date of Patent:** **** Feb. 4, 2020**

(54) **HOOK FASTENER**

7,637,611 B1 * 12/2009 Rotella G02C 3/02
2/13

(71) Applicant: **Gentex Corporation**, Simpson, PA
(US)

D610,602 S 2/2010 Yun

D675,249 S 1/2013 Giroux

D687,479 S 8/2013 Moritz

(72) Inventor: **Matthew A. Hanudel**, Waltham, MA
(US)

8,555,423 B2 10/2013 Giroux

D702,151 S * 4/2014 Kaneko D11/218

D729,307 S 5/2015 Noordzij

D734,559 S * 7/2015 Noordzij D29/110

D748,716 S 2/2016 Yang

D756,445 S 5/2016 Blanchard

D757,159 S 5/2016 Noordzij et al.

(73) Assignee: **GENTEX CORPORATION**, Simpson,
PA (US)

D761,344 S 7/2016 Chen

D775,514 S * 1/2017 Muhlenkamp, IV D16/242

D782,364 S * 3/2017 Nykoluk D11/218

(**) Term: **15 Years**

(21) Appl. No.: **29/695,549**

(Continued)

(22) Filed: **Jun. 20, 2019**

OTHER PUBLICATIONS

Related U.S. Application Data

Website: <http://www.gentexcorp.com/shopaviationhelmets/aircrew-helmet-systems-capability-upgrades/eye-face-protection/visor-assemblies/gentex-step-in-visor-assembly/gentex-step-in-visor-assembly>; accessed Jan. 12, 2017; 3 pp.

(63) Continuation of application No. 29/643,945, filed on Apr. 13, 2018, now Pat. No. Des. 856,406, which is a continuation of application No. 29/590,846, filed on Jan. 13, 2017, now Pat. No. Des. 818,030.

Primary Examiner — Randall H Gholson

(51) **LOC (12) Cl.** **16-06**

(74) *Attorney, Agent, or Firm* — Morgan, Lewis & Bockius LLP

(52) **U.S. Cl.**

USPC **D16/339**; D16/330

(57) **CLAIM**

(58) **Field of Classification Search**

The ornamental design for a hook fastener, as shown and described.

USPC D16/101, 300–342, 900; D29/109, 110, D29/122; D21/483, 659–661; D14/372; 351/41, 44, 45–48, 51, 52, 59, 63, 62, 351/158, 92, 103–123, 140–153; 2/13, 2/15, 426–432, 447–449, 434–437, 441

DESCRIPTION

CPC G02C 2200/08; G02C 1/06; A63B 33/002
See application file for complete search history.

FIG. 1 is a front perspective view of a hook fastener showing my new design;

(56) **References Cited**

U.S. PATENT DOCUMENTS

4,976,531 A * 12/1990 Kahaney G02C 3/003
351/156
D399,172 S * 10/1998 Anscher D11/218
6,721,963 B1 * 4/2004 Kawashima A63B 33/002
2/426

FIG. 2 is a rear perspective view thereof;

FIG. 3 is a left-side elevational view thereof;

FIG. 4 is a right-side elevational view thereof;

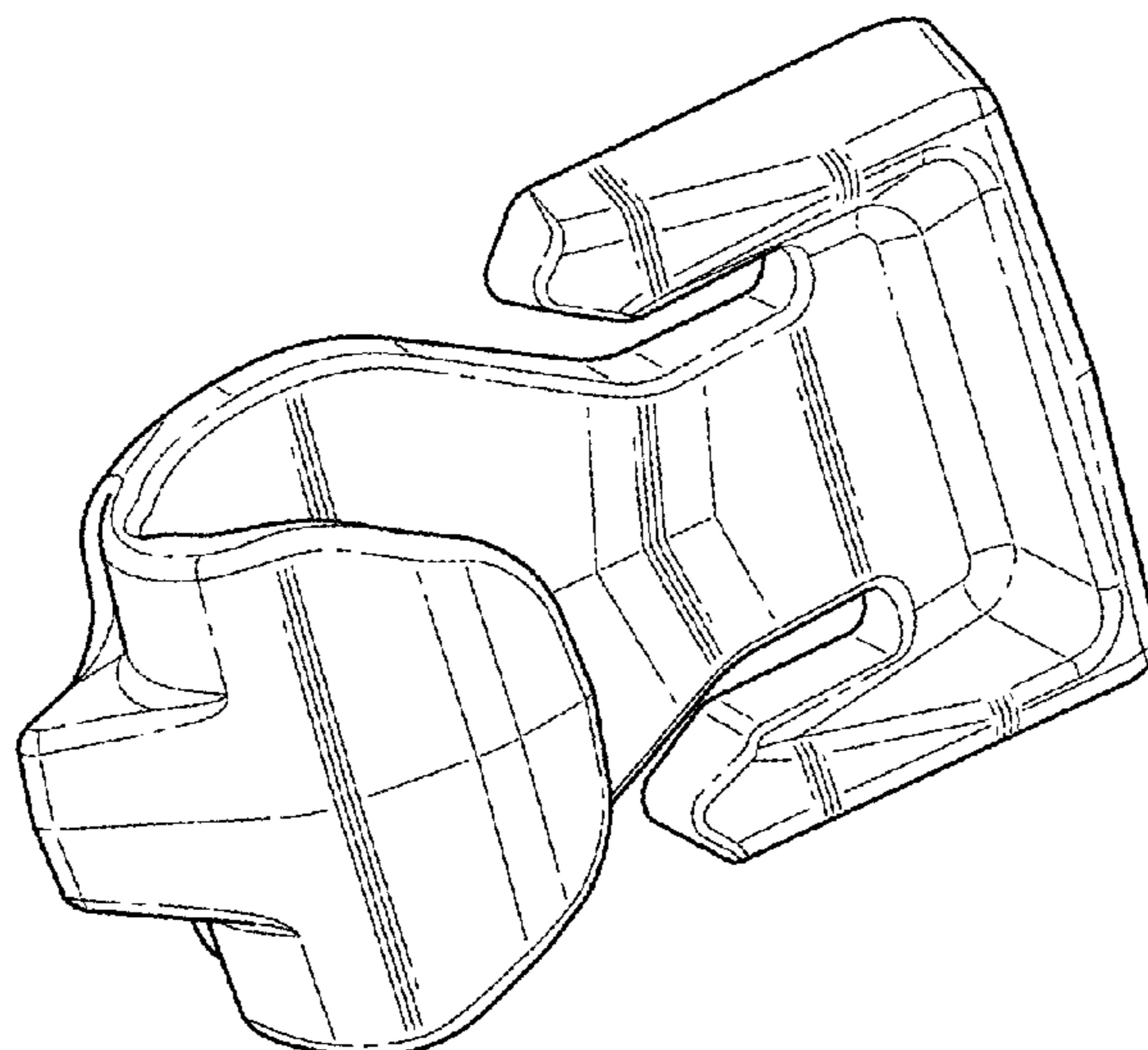
FIG. 5 is a front elevational view thereof;

FIG. 6 is a rear elevational view thereof;

FIG. 7 is a top plan view thereof; and,

FIG. 8 is a bottom plan view thereof.

1 Claim, 4 Drawing Sheets



(56)

References Cited

U.S. PATENT DOCUMENTS

D782,744 S 3/2017 Lussier et al.
9,655,783 B2 5/2017 McNeal
2012/0120482 A1 5/2012 Hedges et al.

* cited by examiner

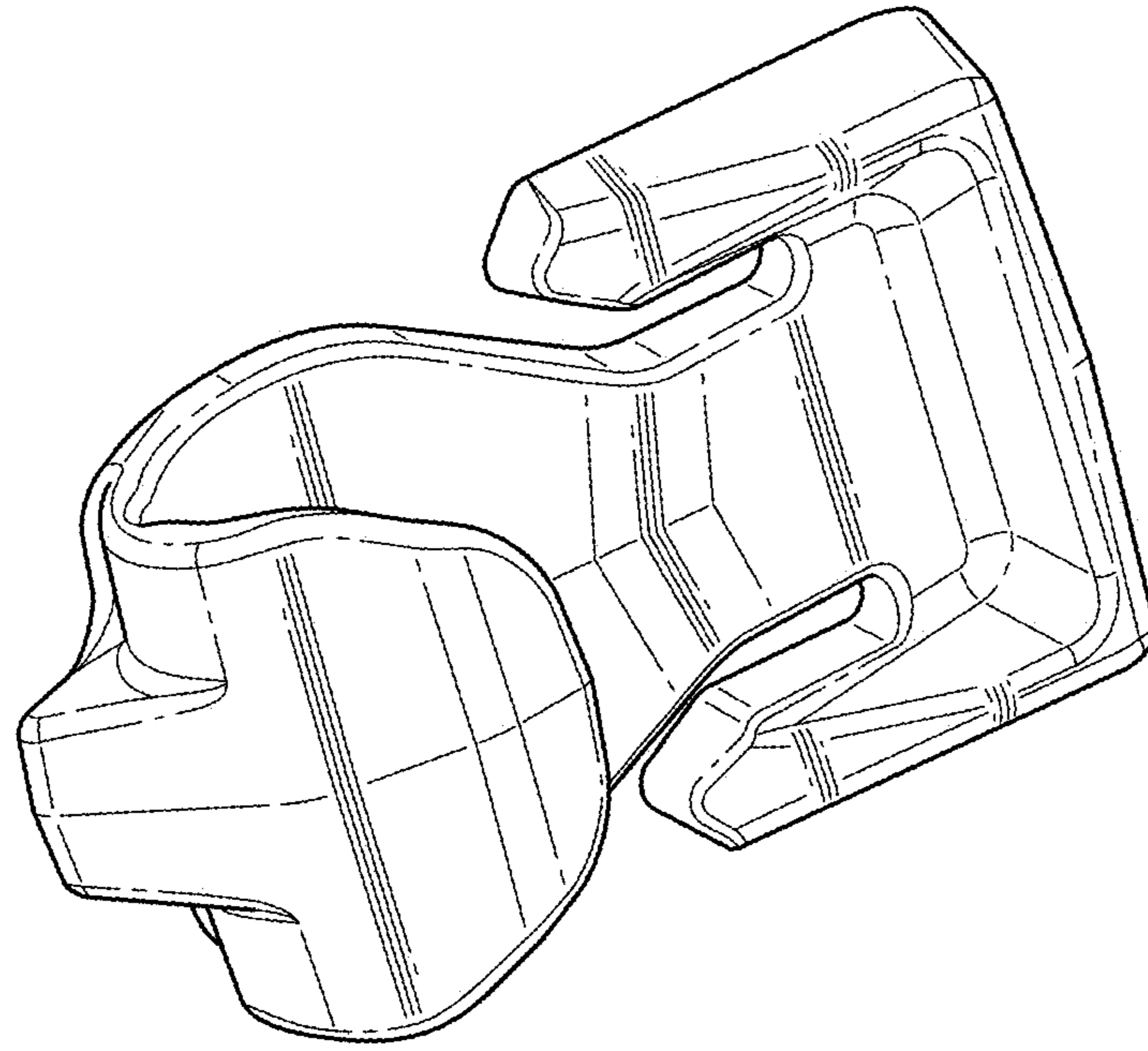


FIG. 1

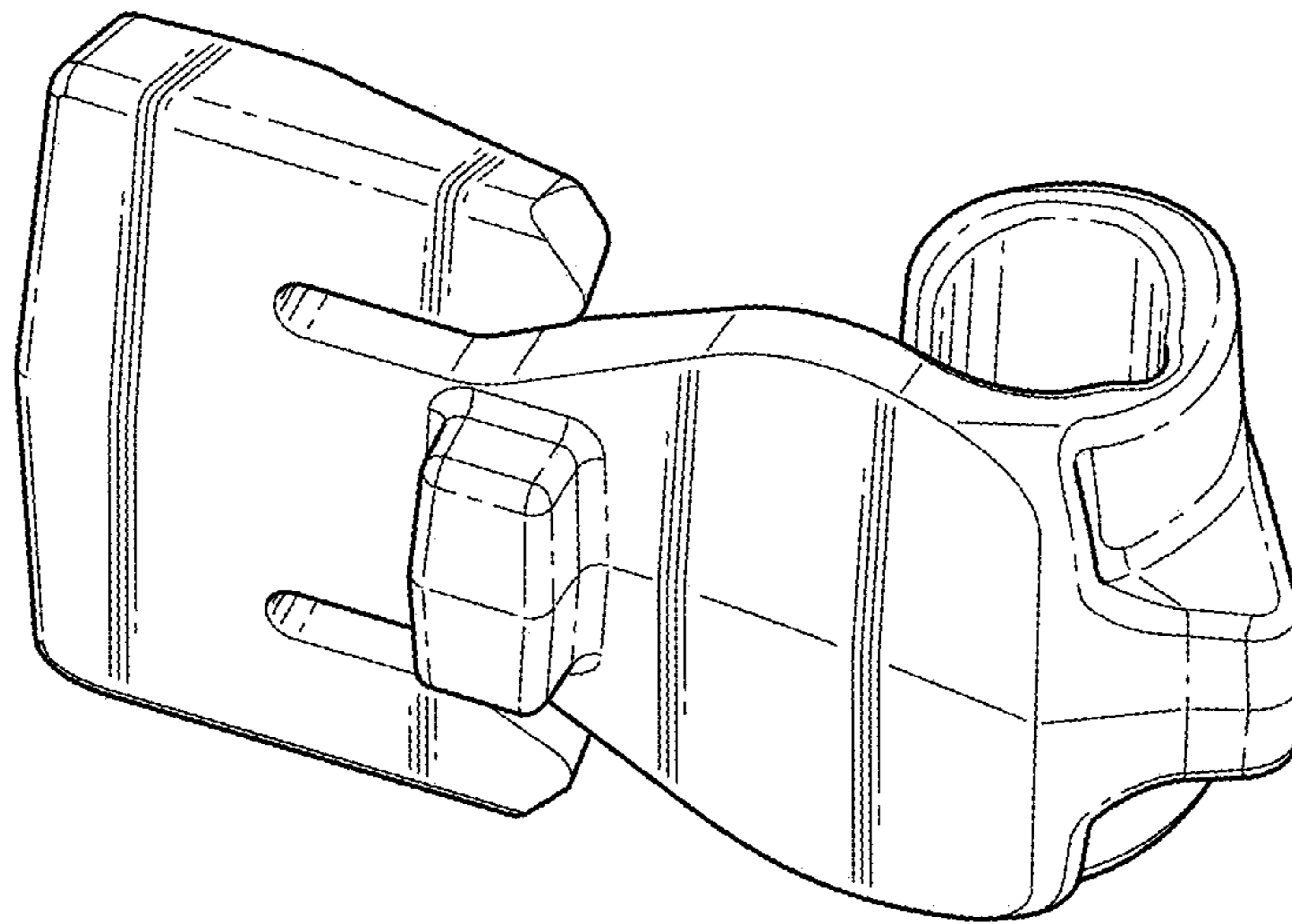


FIG. 2

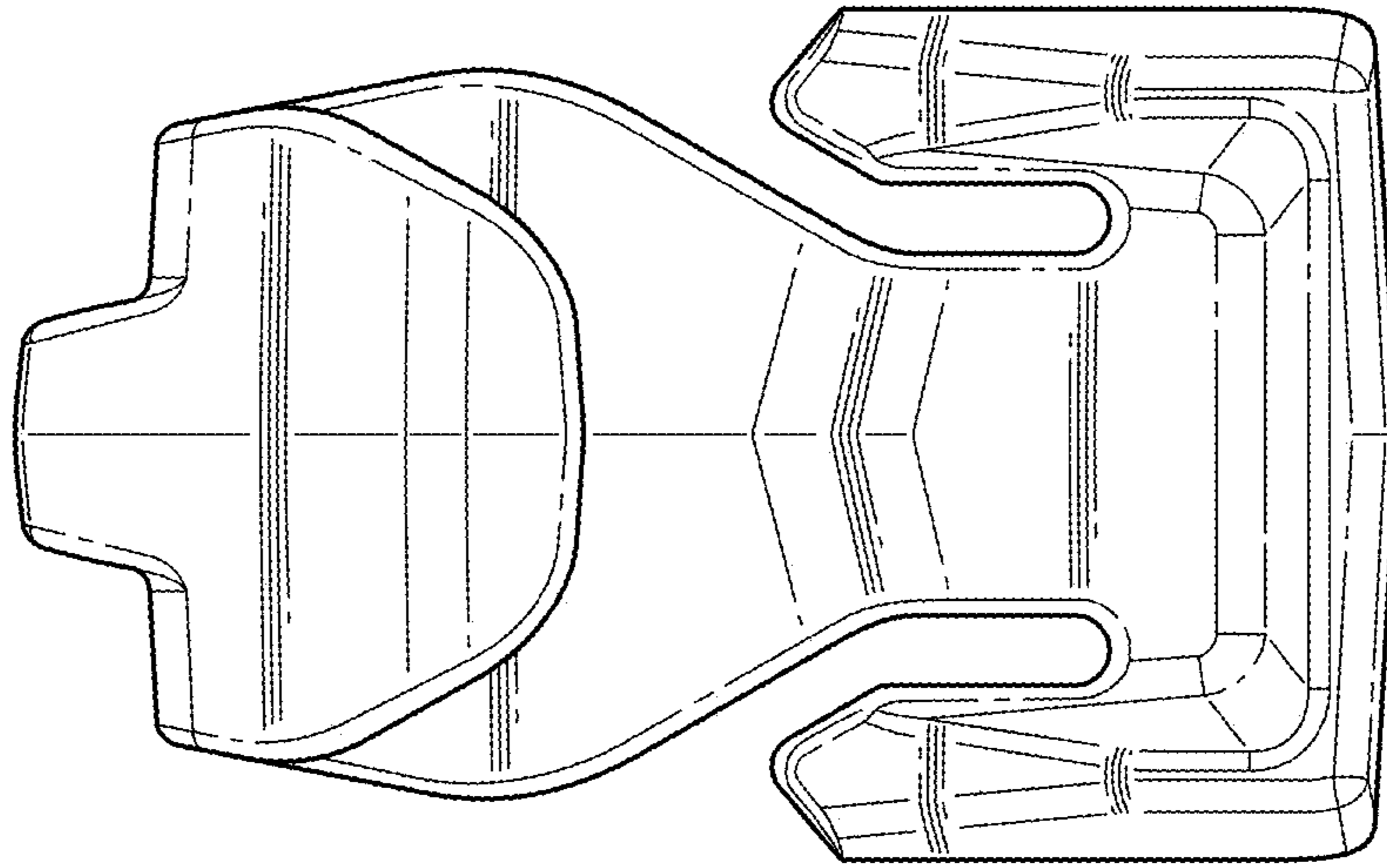


FIG. 3

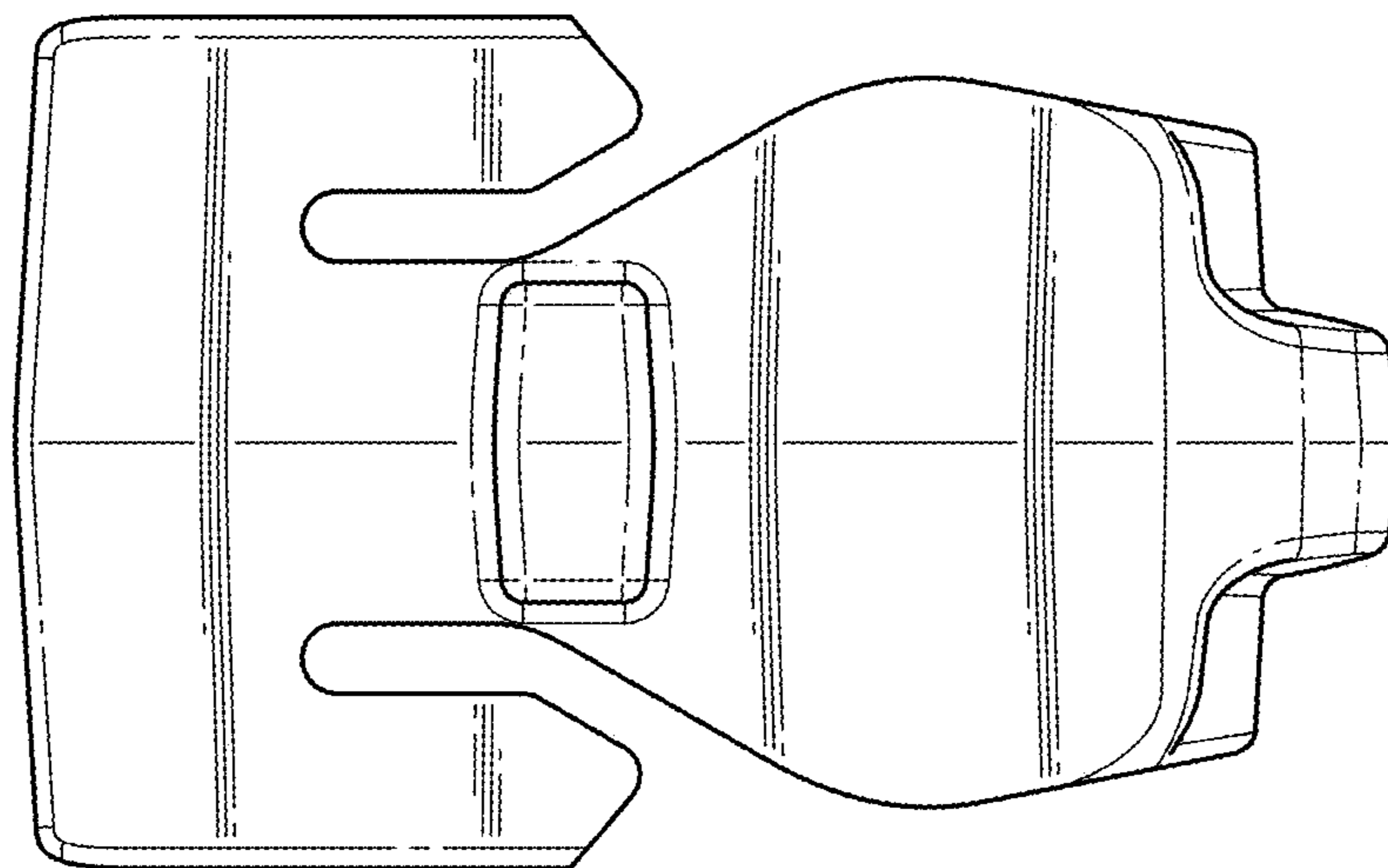


FIG. 4

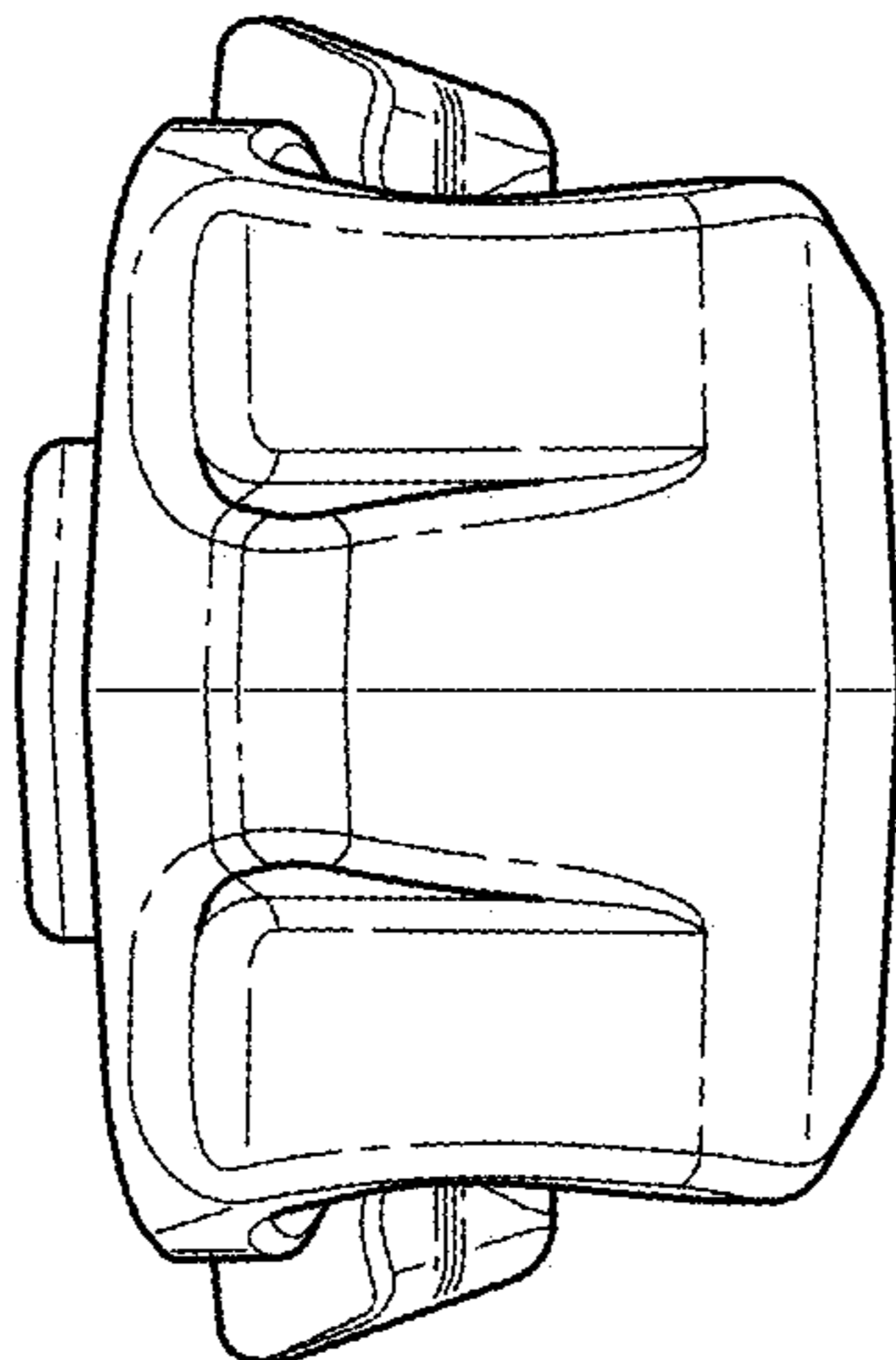


FIG. 5

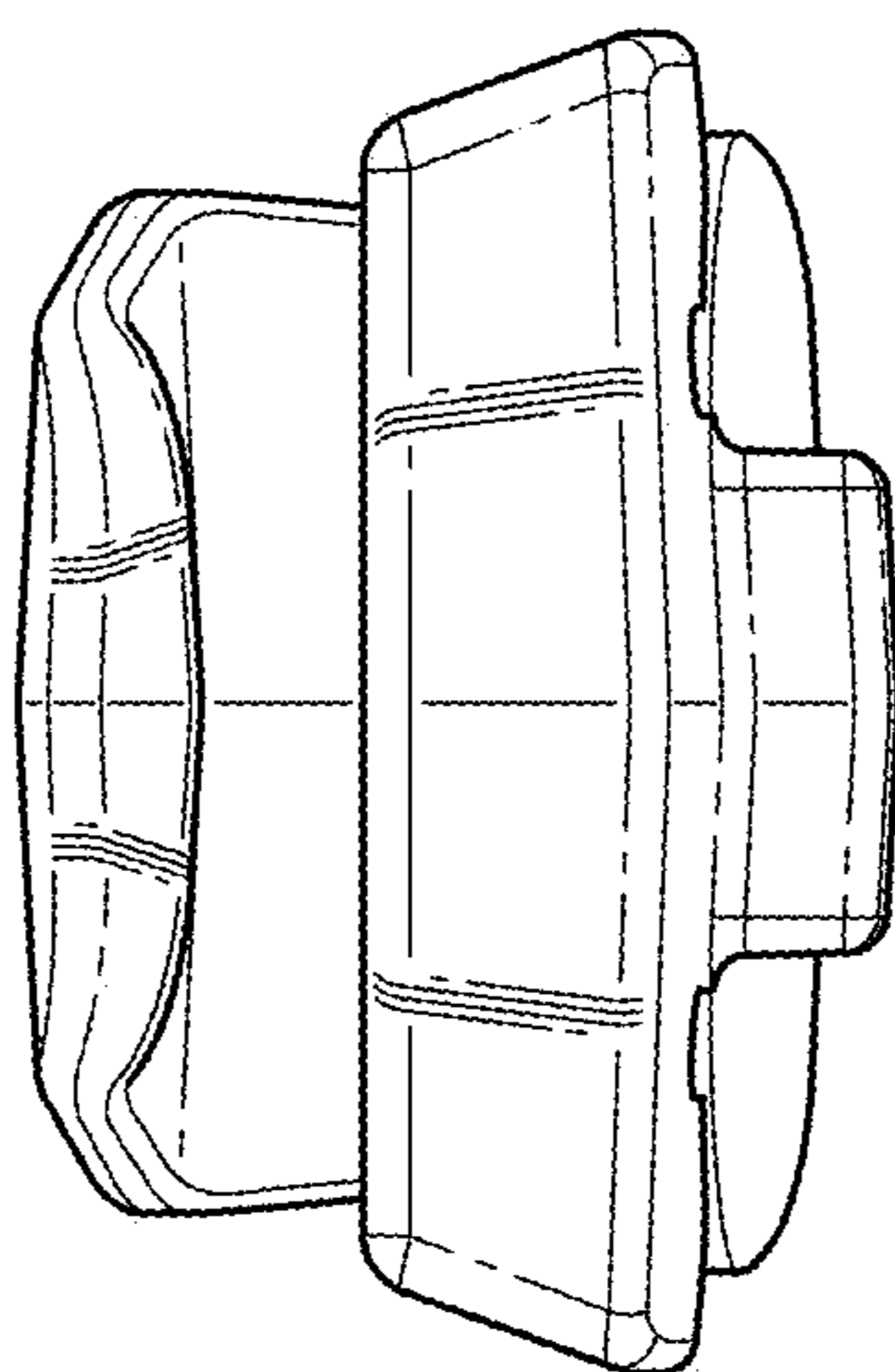


FIG. 6

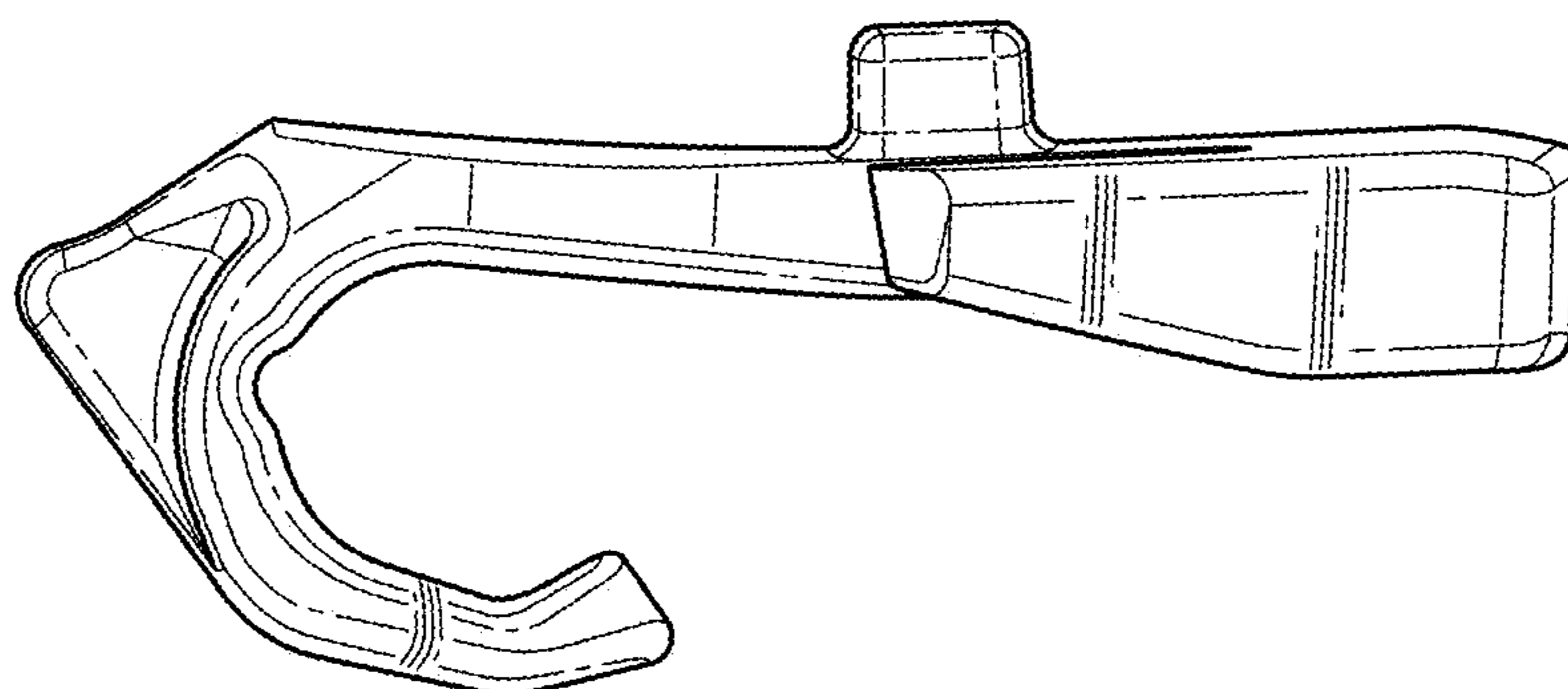


FIG. 7

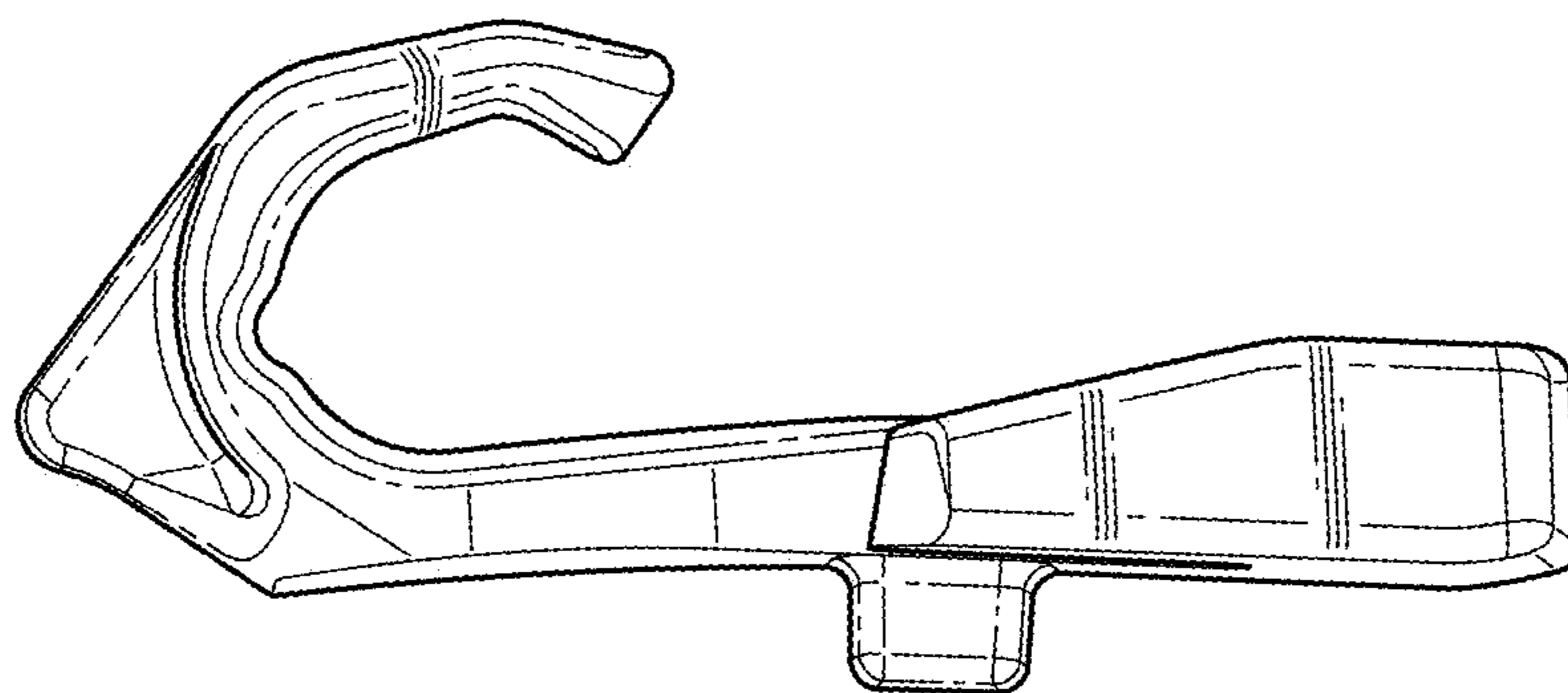


FIG. 8