



US00D874553S

(12) **United States Design Patent**
Costa et al.

(10) **Patent No.:** **US D874,553 S**

(45) **Date of Patent:** **** Feb. 4, 2020**

(54) **CAMERA COVER FOR ELECTRONIC DEVICE**

(71) Applicant: **Facebook, Inc.**, Menlo Park, CA (US)

(72) Inventors: **Mark Costa**, Menlo Park, CA (US);
Stefan Ahldor Kowalski, Los Gatos, CA (US); **Blaise Bertrand**, San Francisco, CA (US)

(73) Assignee: **Facebook, Inc.**, Menlo Park, CA (US)

(**) Term: **15 Years**

(21) Appl. No.: **29/661,514**

(22) Filed: **Aug. 28, 2018**

(51) **LOC (12) Cl.** **16-05**

(52) **U.S. Cl.**
USPC **D16/237**

(58) **Field of Classification Search**
USPC D16/219, 237-250; D8/354, 355, 363, D8/373, 382-383, 394-396; D14/224, D14/229, 238, 251, 447, 451, 457
CPC A45F 2200/0508-0533; A45F 5/00; A45F 5/10; F16M 11/06-10; F16M 11/14; G02B 7/00-002; G03B 17/56; G03B 17/561-568; H04N 5/2253-2254
See application file for complete search history.

(56) **References Cited**

U.S. PATENT DOCUMENTS

D151,059 S *	9/1948	Main	D3/321
D301,686 S *	6/1989	Long	248/115
D339,535 S *	9/1993	Wilson	D10/57
D610,901 S *	3/2010	Jones	D8/394
D643,457 S *	8/2011	DeLong	16/219
D672,223 S *	12/2012	Thompson	D8/356
D714,852 S *	10/2014	Levesque	D16/237
D718,803 S *	12/2014	Smith	D16/250
D739,223 S *	9/2015	Paik	D8/396
D764,474 S *	8/2016	Penn	D14/440

D802,403 S *	11/2017	Weng	D8/367
D808,457 S *	1/2018	Gustaveson, II	D16/237
D812,453 S *	3/2018	Berger	D8/367
D819,434 S *	6/2018	Sonneman	D8/394
D821,184 S *	6/2018	Berger	D8/367
D847,252 S *	4/2019	Stringham	D17/20
2014/0220269 A1 *	8/2014	Ogufere Ogufere	...	B44C 5/005 428/34.1

OTHER PUBLICATIONS

Facebook-Portal-Camera-Cover. Published Oct. 8, 2018. Retrieved from URL: <http://kolomthota.com/facebook-launches-portal-auto-zooming-video-chat-screens-for-199-349/facebook-portal-camera-cover/>.*

(Continued)

Primary Examiner — Vy N Koenig

(74) *Attorney, Agent, or Firm* — Baker Botts L.L.P.

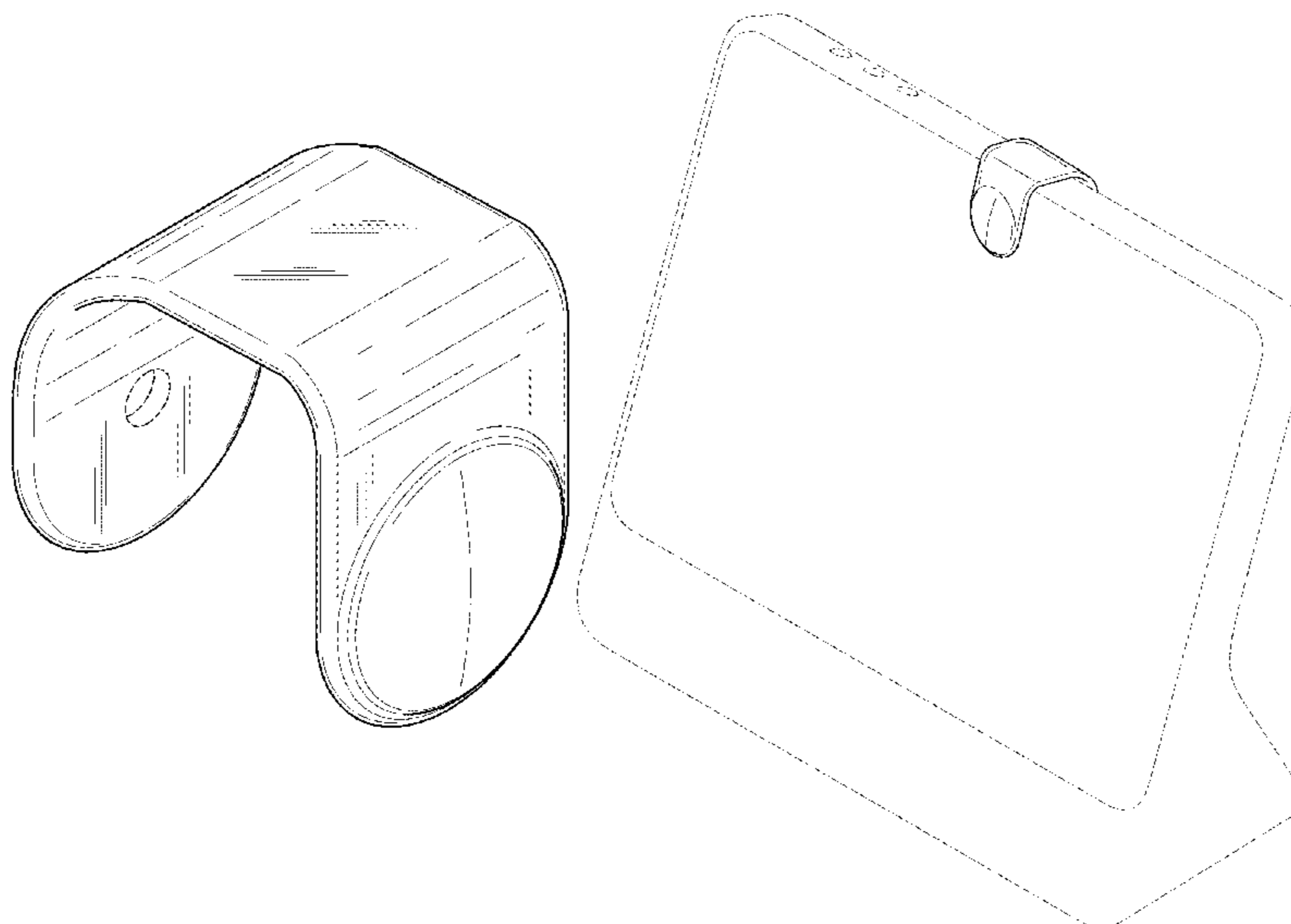
(57) **CLAIM**

The ornamental design for a camera cover for electronic device, as shown and described.

DESCRIPTION

FIG. 1 is a front view of a camera cover for electronic device showing the new design;
FIG. 2 is a rear view thereof;
FIG. 3 is a top view thereof;
FIG. 4 is a bottom thereof;
FIG. 5 is a left view thereof;
FIG. 6 is a right view thereof;
FIG. 7 is a top left perspective view thereof;
FIG. 8 is a bottom left perspective view thereof; and,
FIG. 9 is a top right perspective view thereof showing the camera cover on an example electronic device for context purposes.
Illustrations in broken line show portions of the camera cover and the electronic device that form no part of the claimed design.

1 Claim, 6 Drawing Sheets



(56)

References Cited

OTHER PUBLICATIONS

Webcam Cover Joystick Maint. [online] Retrieved Aug. 15, 2019 from URL: <https://www.team-togs.com/webcam-cover-joystick-maint-sc00240295>.*

Computer Camera Cover. [online] Retrieved Aug. 15, 2019 from URL: <https://www.shapeways.com/product/E3EVBHBVZ/f-k-the-nsa-computer-camera-cover-four-pack-r-rat?optionId=15806716>.*

* cited by examiner

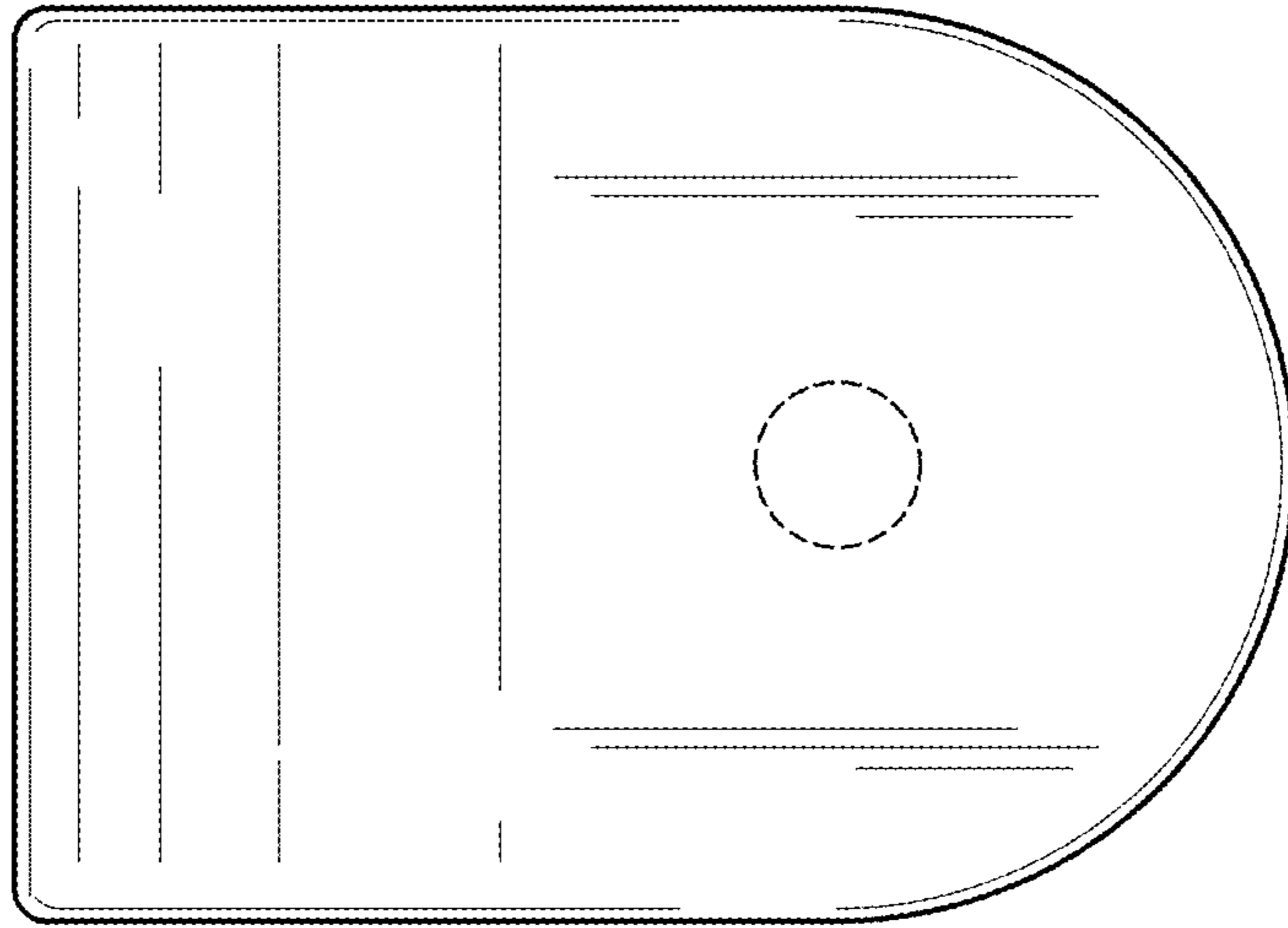


FIG. 2

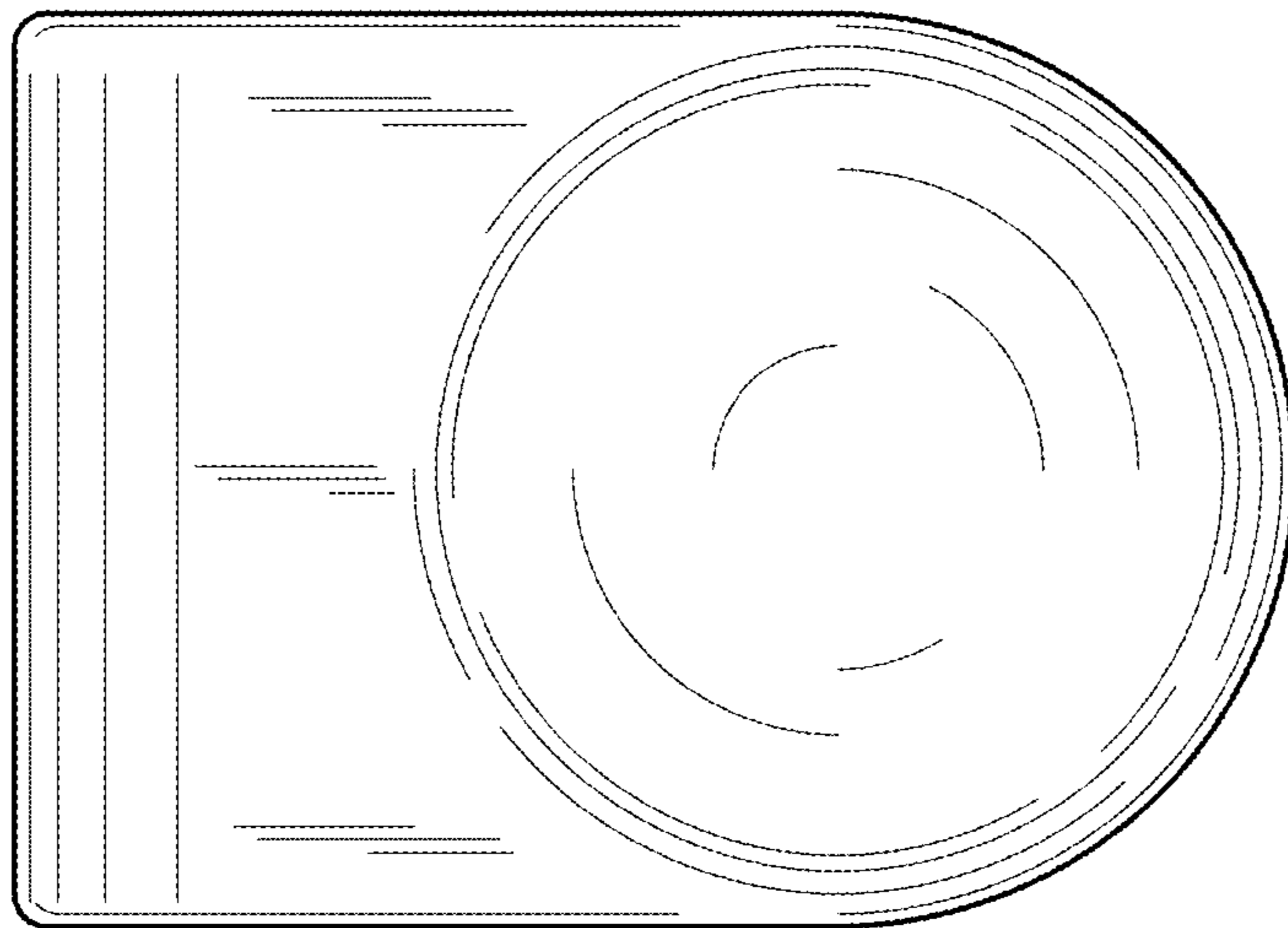


FIG. 1

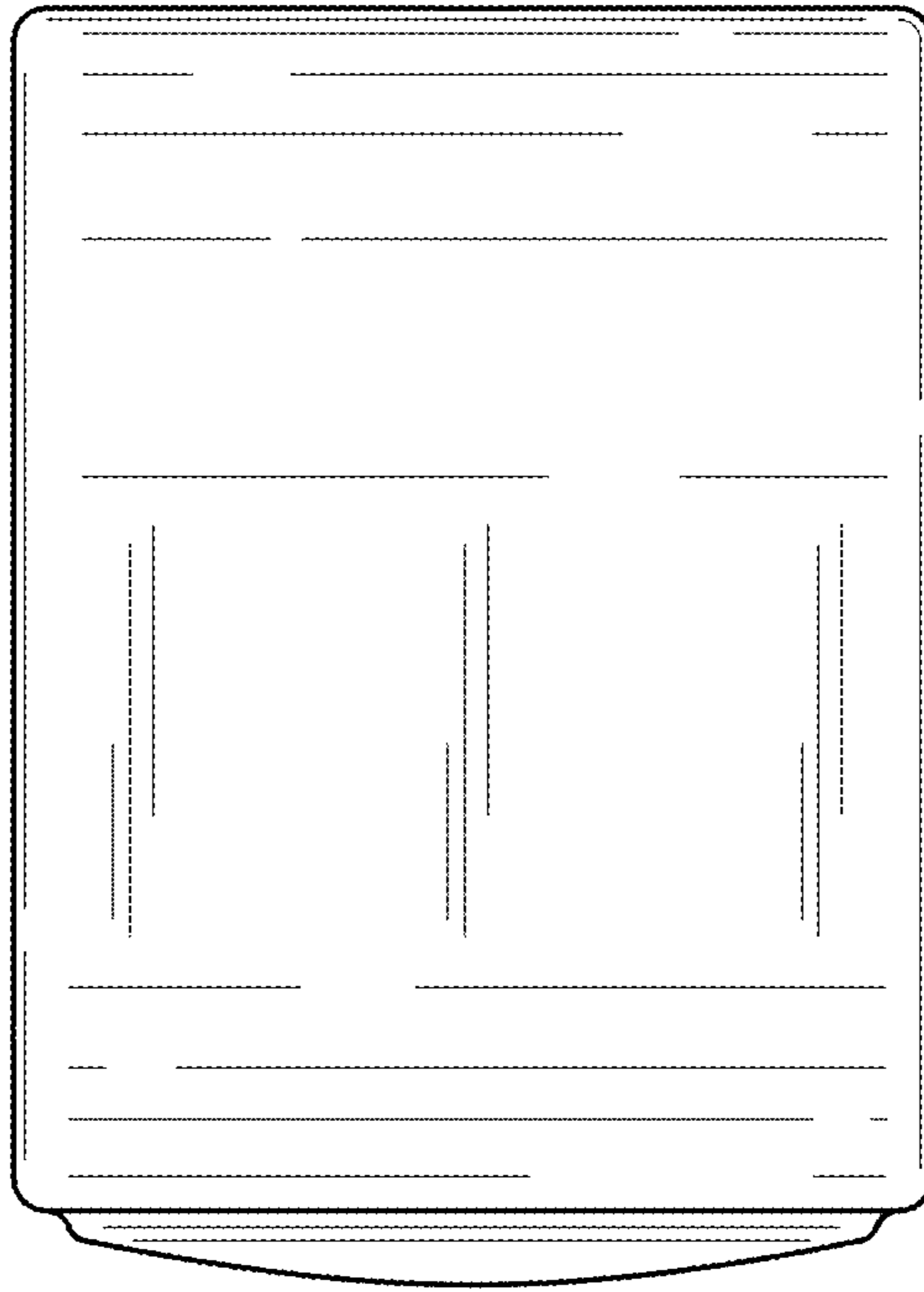


FIG.3

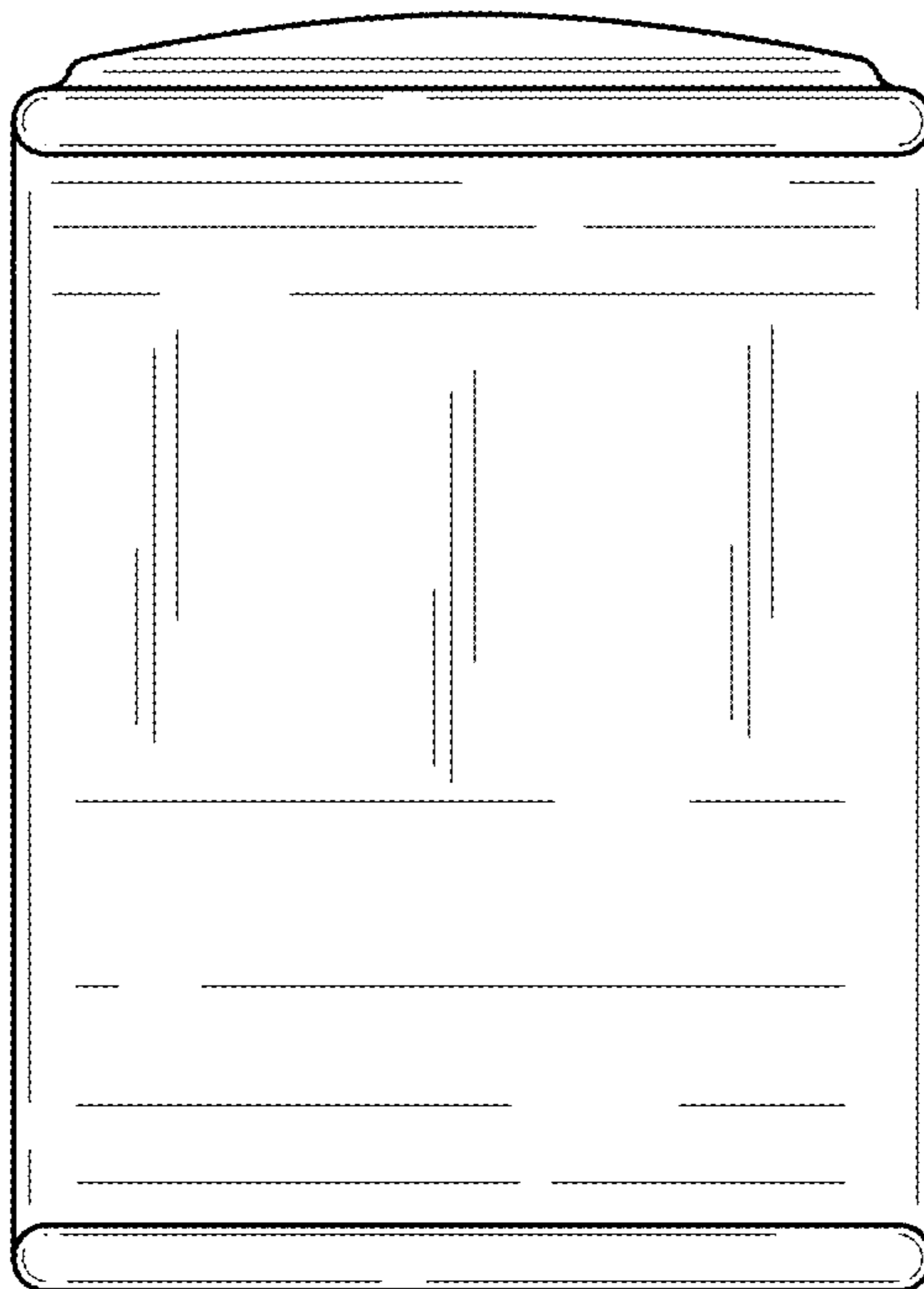


FIG.4

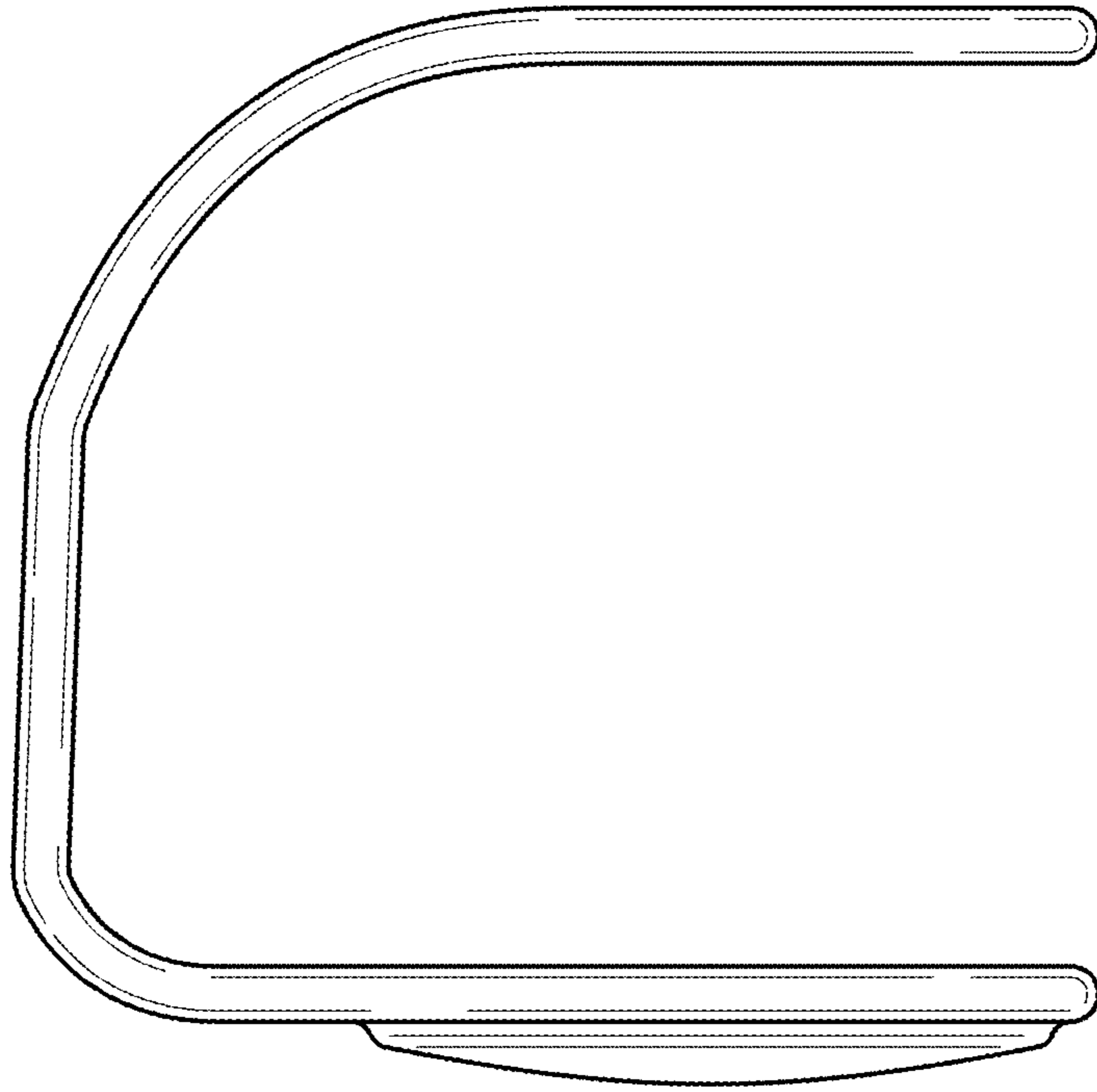


FIG. 5

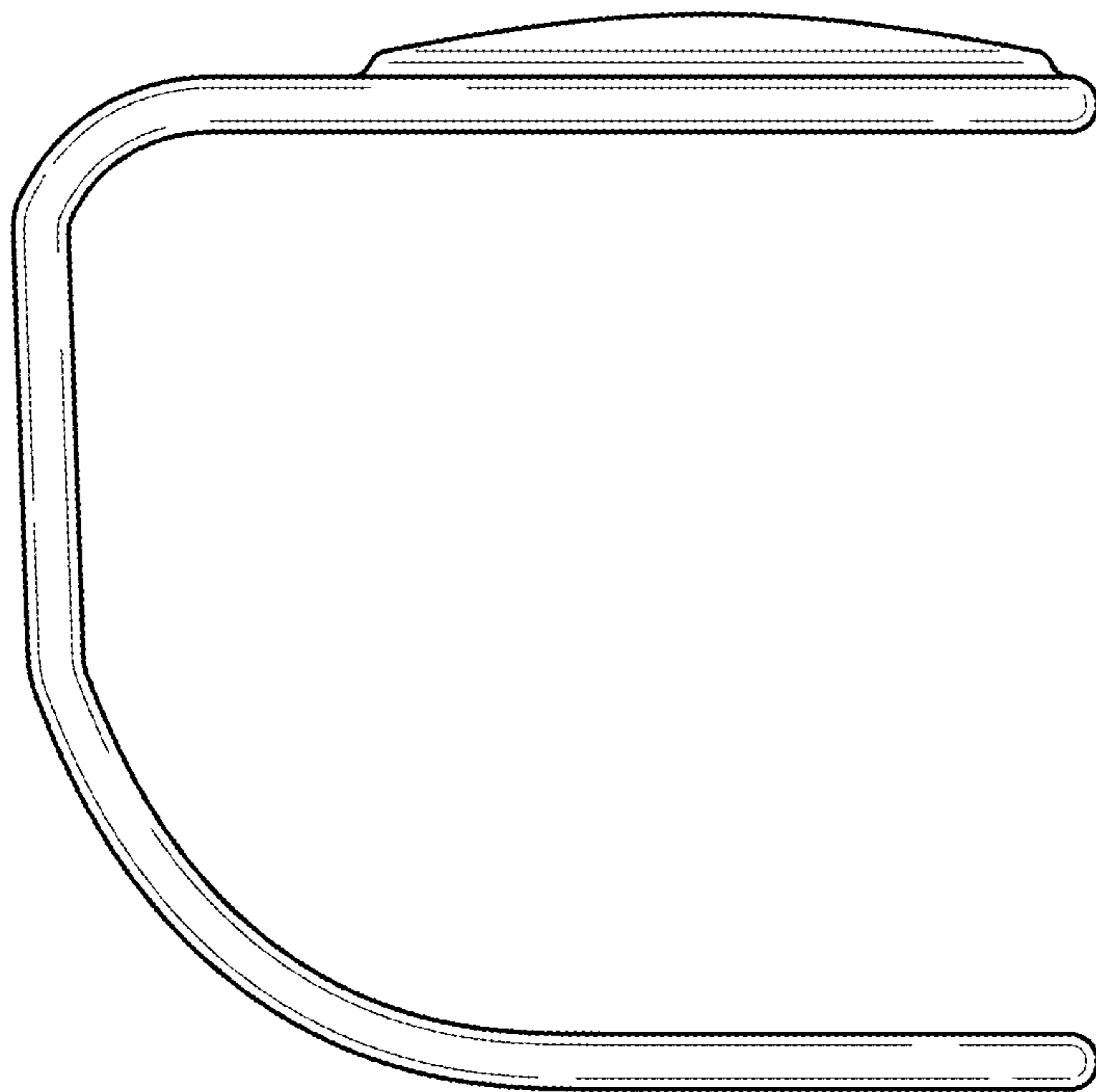


FIG. 6

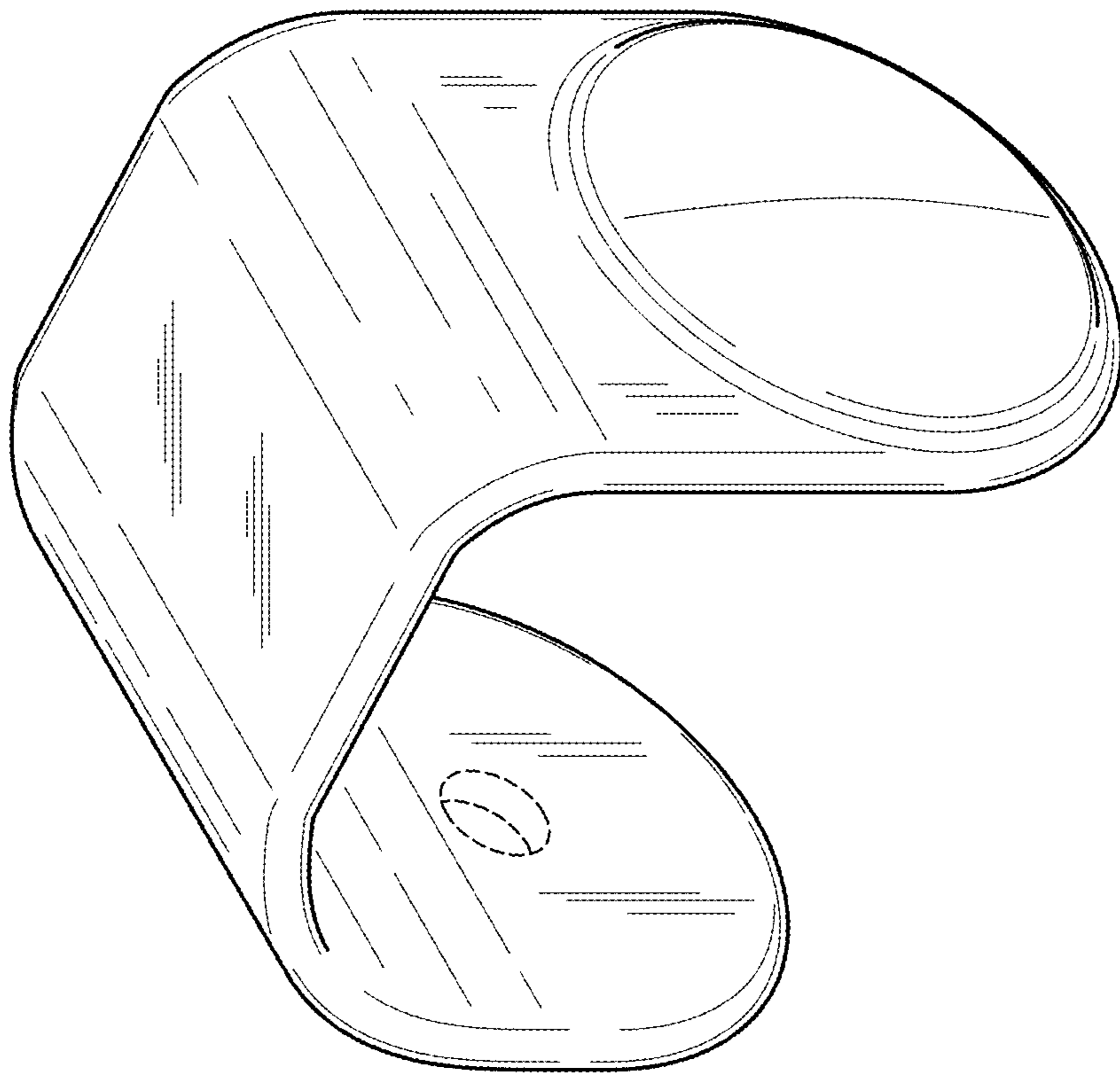


FIG.7

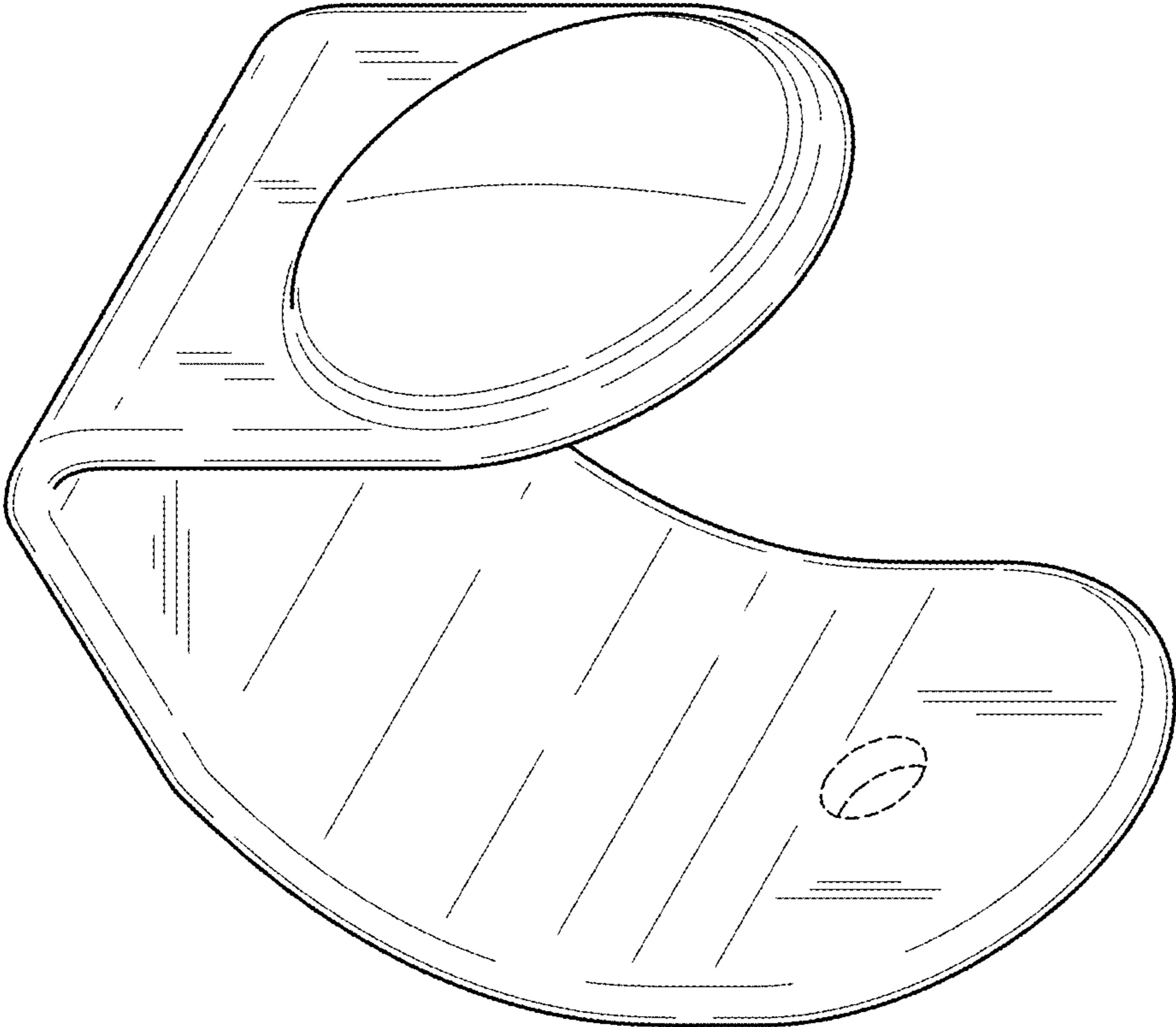


FIG. 8

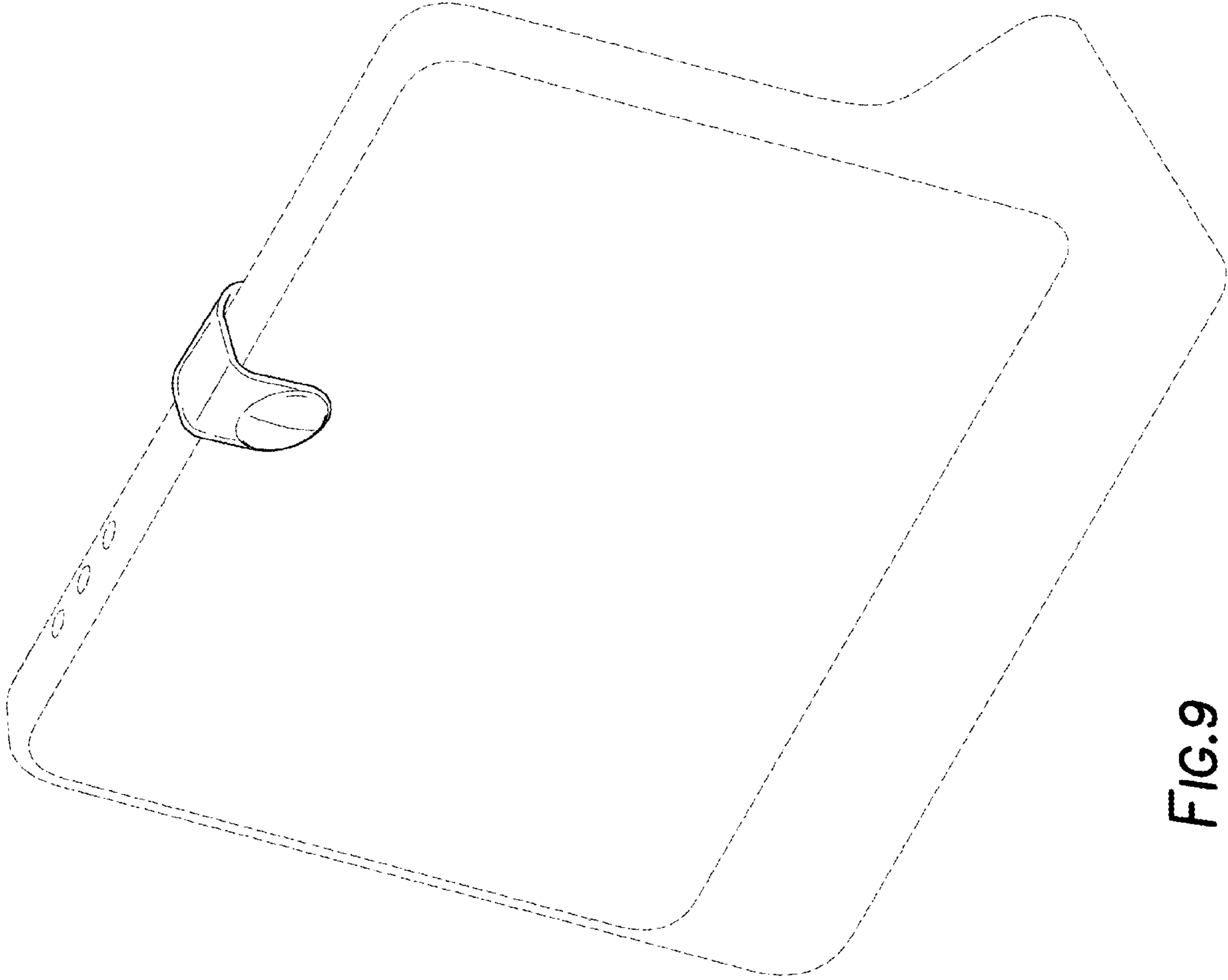


FIG. 9