



US00D874552S

(12) **United States Design Patent** (10) **Patent No.:** **US D874,552 S**
Loew et al. (45) **Date of Patent:** **** Feb. 4, 2020**

(54) **SECURITY CAMERA**

(56) **References Cited**

(71) Applicant: **AMAZON TECHNOLOGIES, INC.**,
Seattle, WA (US)

U.S. PATENT DOCUMENTS

(72) Inventors: **Christopher Loew**, Palo Alto, CA
(US); **James Siminoff**, Pacific
Palisades, CA (US); **Spiro Sacre**, Los
Angeles, CA (US); **Mark Siminoff**,
Mountain View, CA (US)

D649,573	S	*	11/2011	Al	D16/202
D674,426	S	*	1/2013	Konishi	D16/202
D676,476	S	*	2/2013	Ishikura	D16/202
D676,477	S	*	2/2013	Chen	D16/202
D715,347	S	*	10/2014	Troxel	D16/202
D720,379	S	*	12/2014	Kim	D16/202
D741,932	S	*	10/2015	Huang	D16/202
D743,467	S	*	11/2015	Bhattacharya	D16/203
D747,383	S	*	1/2016	Li	D16/203

(Continued)

(73) Assignee: **Amazon Technologies, Inc.**, Seattle,
WA (US)

Primary Examiner — Ramzi S Almatrahi

(**) Term: **15 Years**

(74) *Attorney, Agent, or Firm* — Lathrop Gage LLP

(21) Appl. No.: **29/700,582**

(22) Filed: **Aug. 2, 2019**

(57) **CLAIM**

Related U.S. Application Data

The ornamental design for a security camera, as shown and described.

(60) Division of application No. 29/680,402, filed on Feb. 15, 2019, which is a division of application No. 29/663,610, filed on Sep. 17, 2018, which is a continuation of application No. 29/632,689, filed on Jan. 9, 2018, now Pat. No. Des. 831,091, which is a continuation of application No. 29/603,240, filed on May 8, 2017, now Pat. No. Des. 810,805.

DESCRIPTION

(51) **LOC (12) Cl.** **16-05**

(52) **U.S. Cl.**
USPC **D16/219**

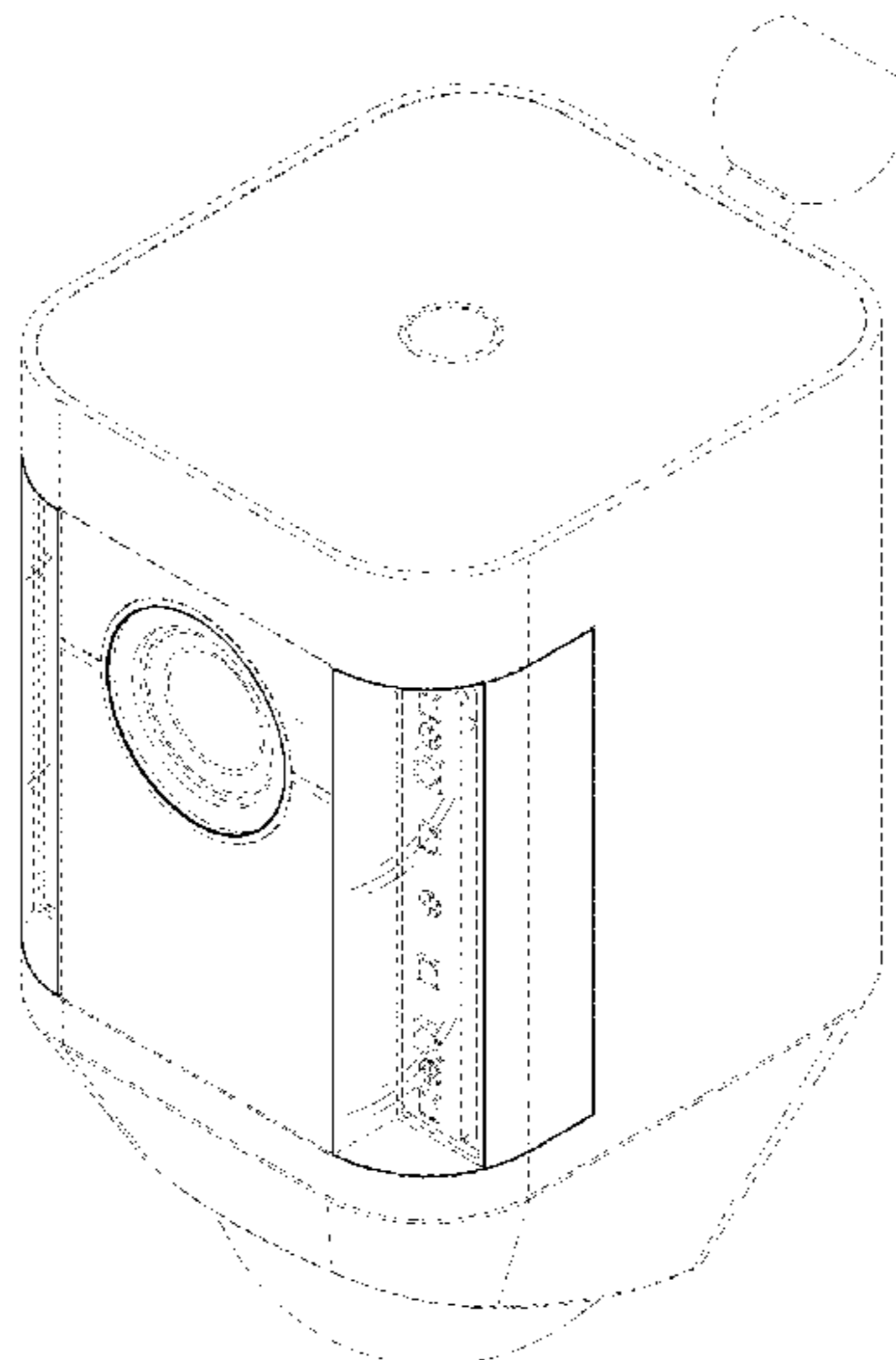
(58) **Field of Classification Search**
USPC D16/200, 202–207, 208, 218, 219;
348/143, 148, 151, 373–376; 396/419,
396/427, 535, 539–541
CPC G03B 17/02; G03B 19/04; G03B 17/56;
G03B 17/04; G03B 15/03; H04N 5/2251;
H04N 5/2252; H04N 5/2253; H04N
5/2254; H04N 7/181; H04N 7/183; H04N
7/18; G08B 13/1963; G08B 13/19619;
G08B 13/19632; F16M 11/04; F16M
13/00

FIG. 1 is a front perspective view of a security camera according to the present design;
FIG. 2 is a front elevational view of the security camera of FIG. 1;
FIG. 3 is a rear elevational view of the security camera of FIG. 1;
FIG. 4 is a right-side elevational view of the security camera of FIG. 1;
FIG. 5 is a left-side elevational view of the security camera of FIG. 1;
FIG. 6 is a top plan view of the security camera of FIG. 1; and,
FIG. 7 is a bottom plan view of the security camera of FIG. 1.

The broken lines depict portions of the security camera in which the design is embodied that form no part of the claimed design.

See application file for complete search history.

1 Claim, 7 Drawing Sheets



(56)

References Cited

U.S. PATENT DOCUMENTS

D795,938 S *	8/2017	Ravat	D16/202
D802,645 S *	11/2017	Siminoff	D16/203
D818,515 S *	5/2018	Laurans	D16/203
D825,636 S *	8/2018	Hueber	D16/202

* cited by examiner

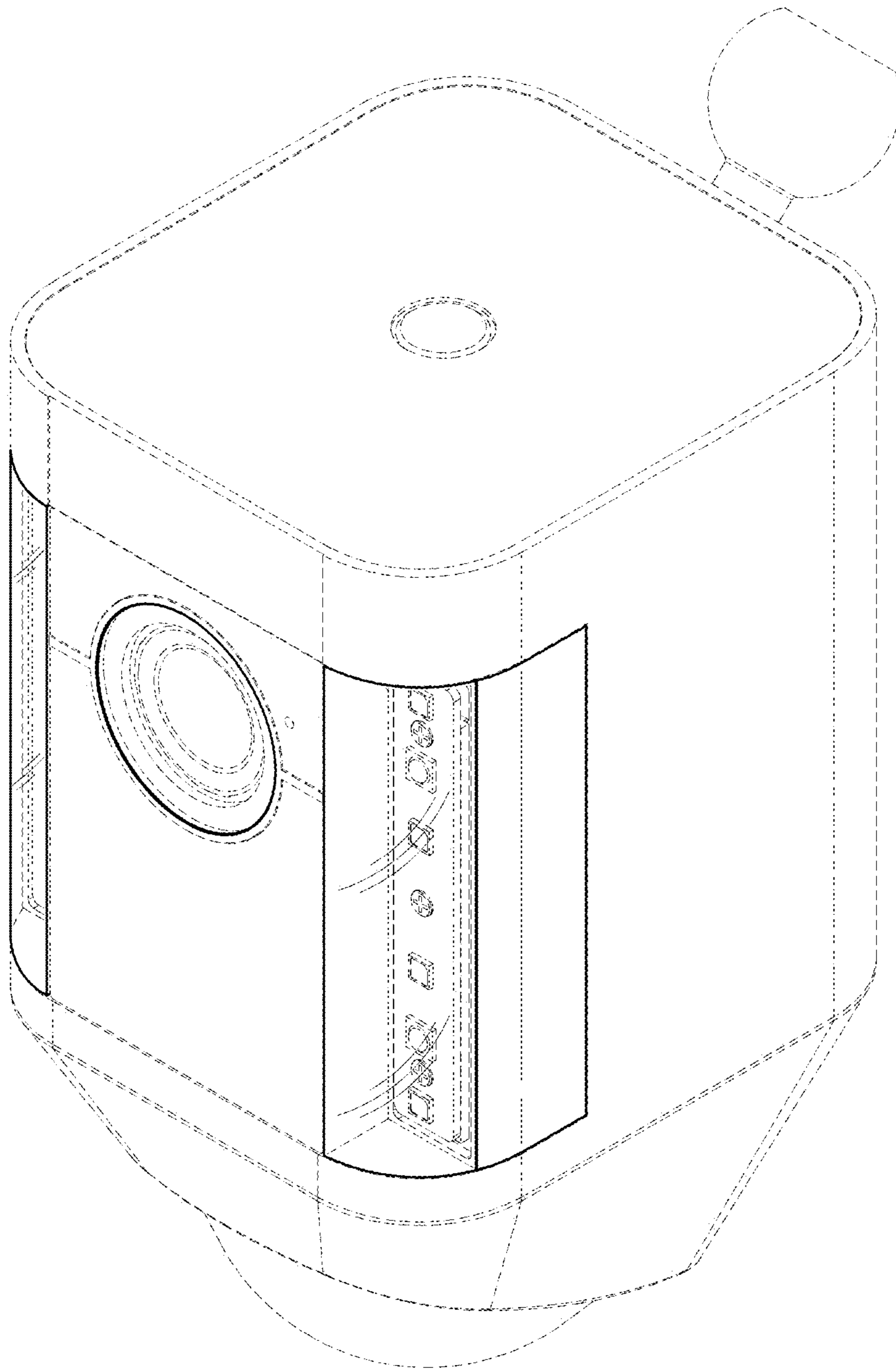


FIG. 1

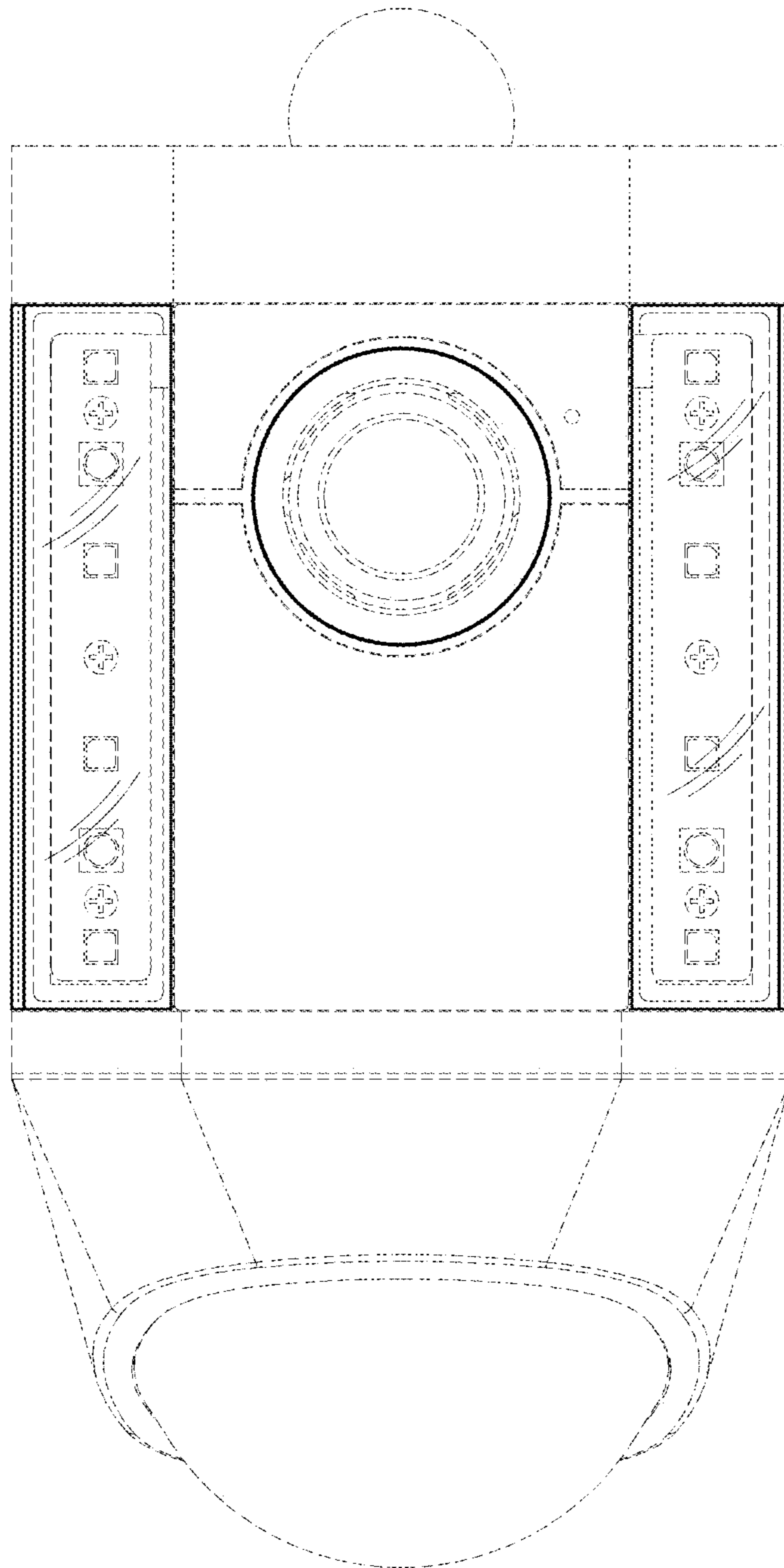


FIG. 2

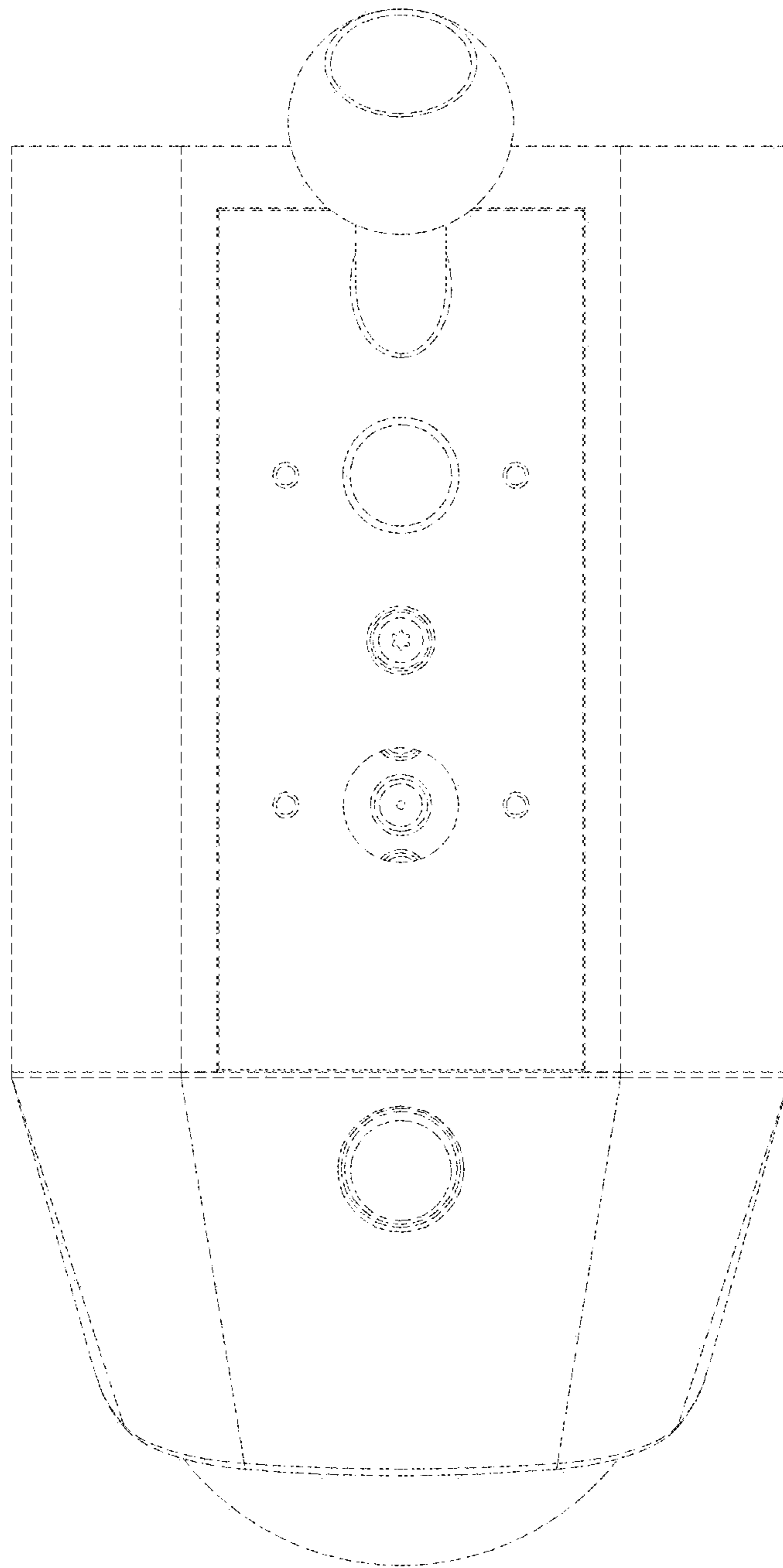


FIG. 3

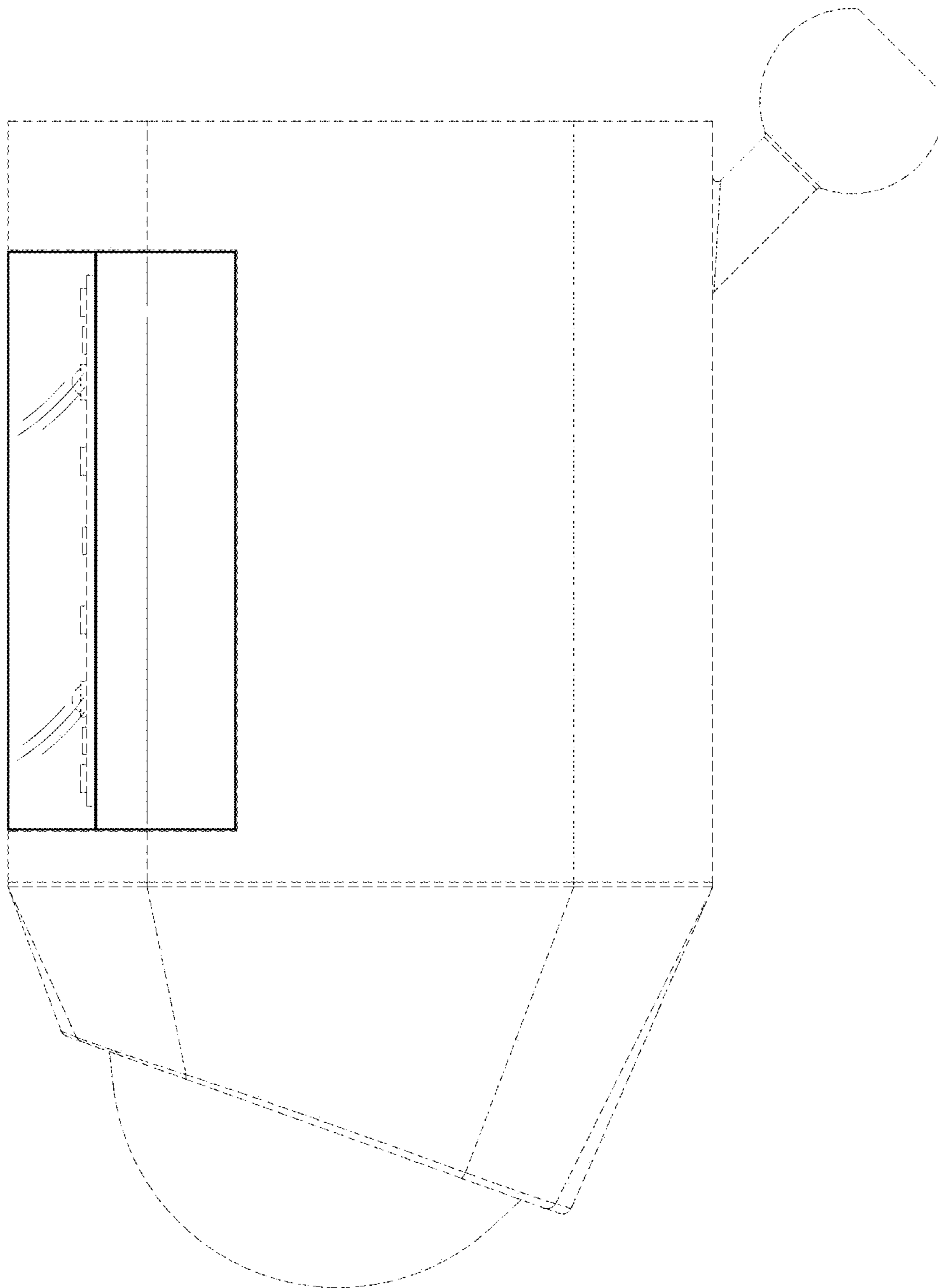


FIG. 4

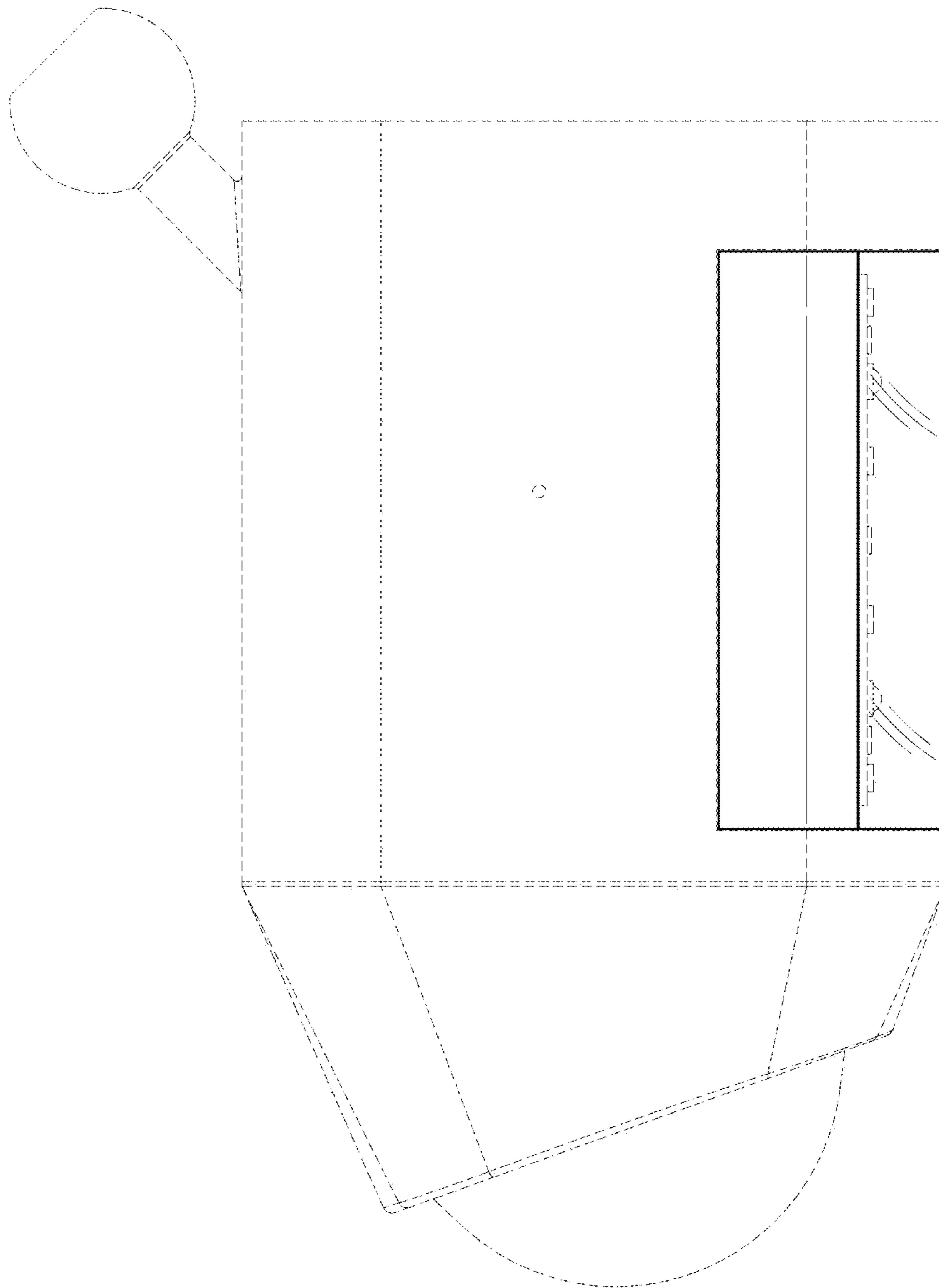


FIG. 5

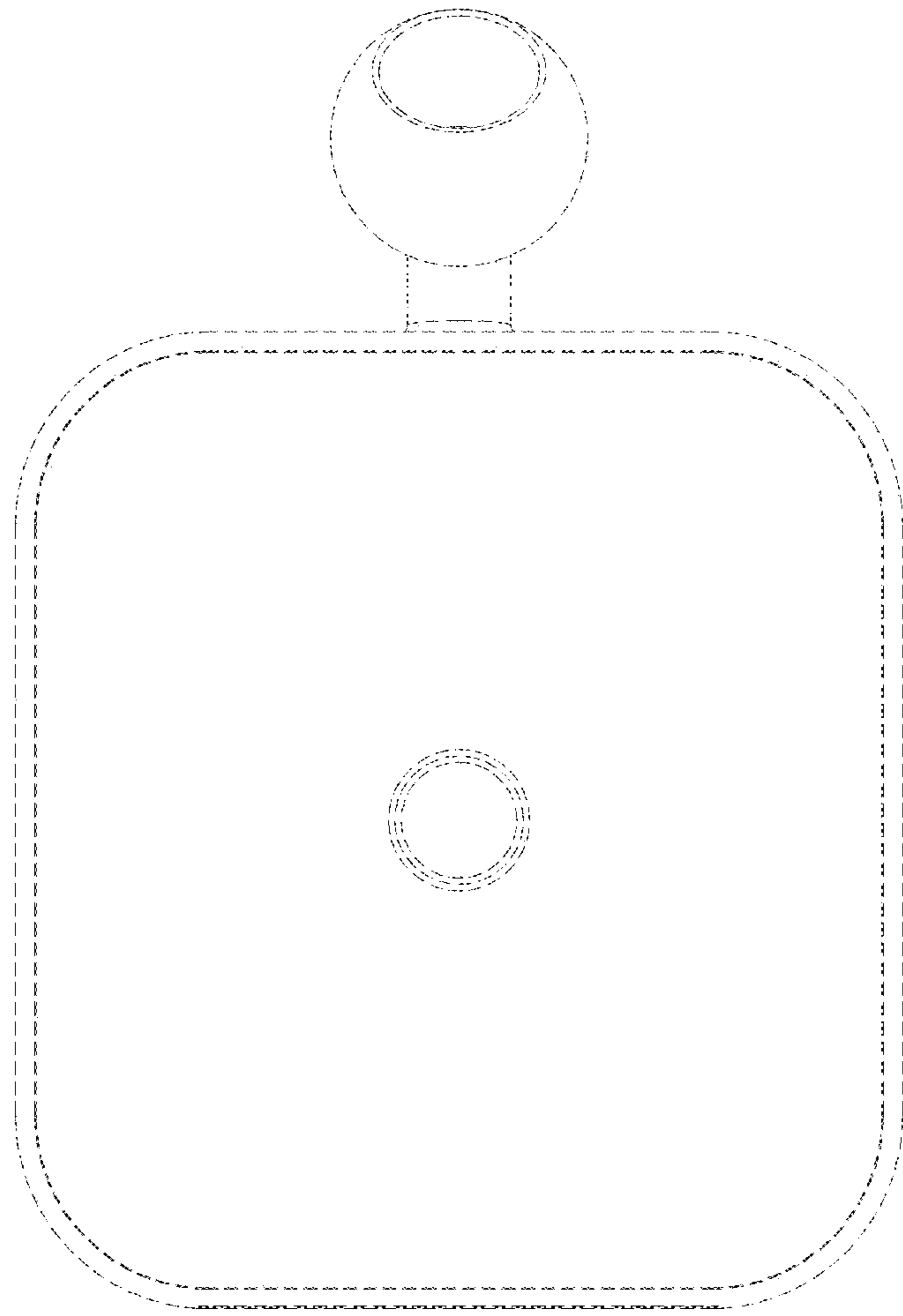


FIG. 6

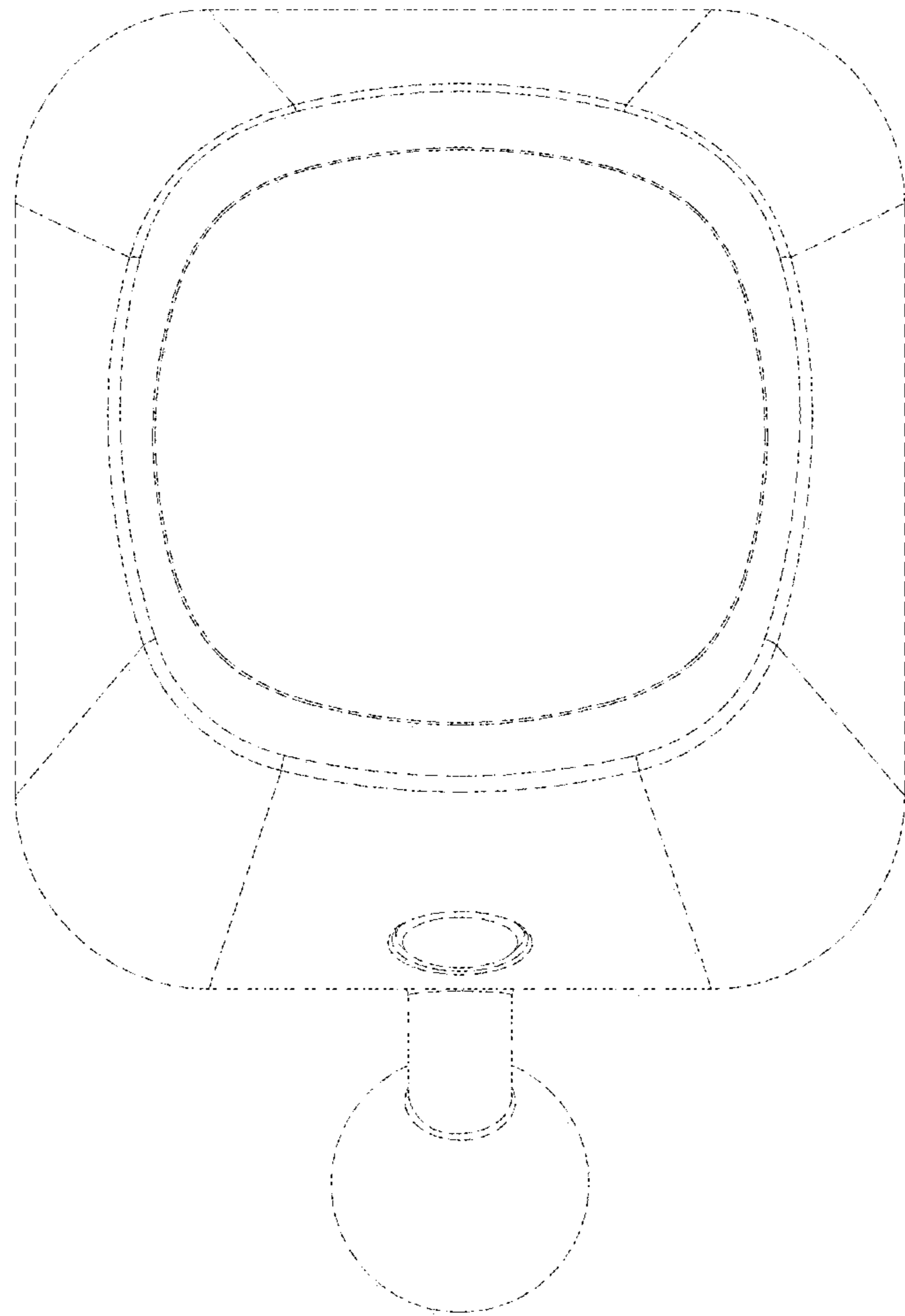


FIG. 7