



US00D874550S

(12) **United States Design Patent** (10) **Patent No.:** **US D874,550 S**  
**Loew et al.** (45) **Date of Patent:** **\*\* Feb. 4, 2020**

(54) **SECURITY CAMERA**

(56) **References Cited**

(71) Applicant: **AMAZON TECHNOLOGIES, INC.**,  
Seattle, WA (US)

U.S. PATENT DOCUMENTS

(72) Inventors: **Christopher Loew**, Palo Alto, CA  
(US); **James Siminoff**, Pacific  
Palisades, CA (US); **Spiro Sacre**, Los  
Angeles, CA (US); **Mark Siminoff**,  
Mountain View, CA (US)

D697,119	S	*	1/2014	Park	.....	D16/202
D741,932	S	*	10/2015	Huang	.....	D16/202
D743,467	S	*	11/2015	Bhattacharya	.....	D16/203
D747,383	S	*	1/2016	Li	.....	D16/203
D754,767	S	*	4/2016	Sandy	.....	D16/202
D755,875	S	*	5/2016	Geng	.....	H04N 5/2251
						D16/203
D788,834	S	*	6/2017	Bhattacharya	.....	D16/203
D802,645	S	*	11/2017	Siminoff	.....	D16/203
D821,478	S	*	6/2018	Siminoff	.....	D16/203

(73) Assignee: **Amazon Technologies, Inc.**, Seattle,  
WA (US)

(Continued)

(\*\*) Term: **15 Years**

*Primary Examiner* — Ramzi S Almatrahi

(21) Appl. No.: **29/680,414**

(74) *Attorney, Agent, or Firm* — Lathrop Gage LLP

(22) Filed: **Feb. 15, 2019**

(57) **CLAIM**

The ornamental design for a security camera, as shown and described.

**Related U.S. Application Data**

(60) Division of application No. 29/663,610, filed on Sep. 17, 2018, which is a continuation of application No. 29/632,689, filed on Jan. 9, 2018, now Pat. No. Des. 831,091, which is a continuation of application No. 29/603,240, filed on May 8, 2017, now Pat. No. Des. 810,805.

**DESCRIPTION**

(51) **LOC (12) Cl.** ..... **16-05**

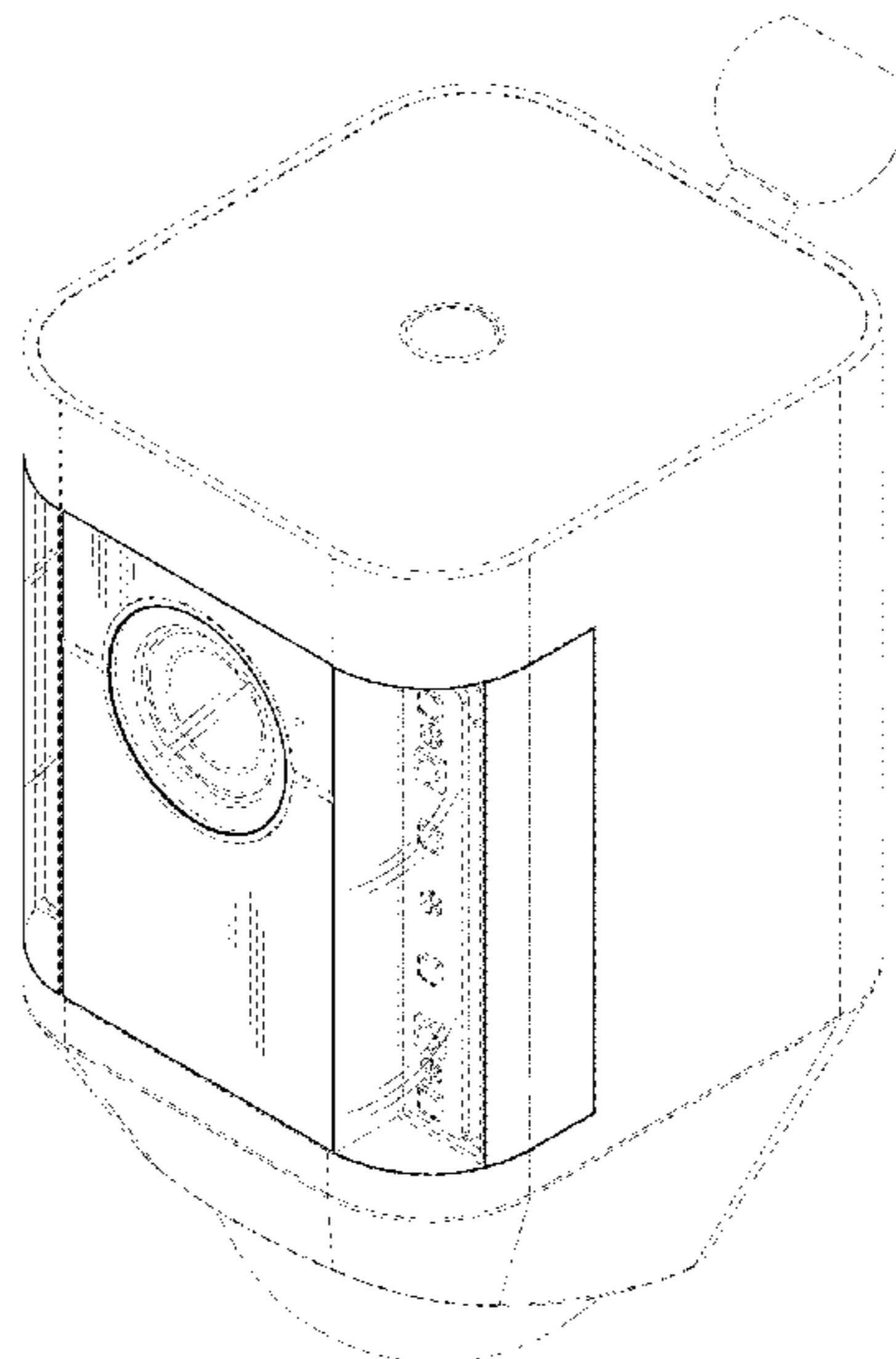
(52) **U.S. Cl.**  
USPC ..... **D16/219**

(58) **Field of Classification Search**  
USPC ..... D16/200, 202–206, 208, 218, 219, 242;  
348/143, 148, 151, 373–376; 396/419,  
396/427, 535, 539–541  
CPC ..... G03B 17/02; G03B 19/04; G03B 17/56;  
G03B 17/04; G03B 15/03; H04N 5/2251;  
H04N 5/2252; H04N 5/2253; H04N  
5/2254; H04N 7/181; H04N 7/183; H04N  
7/18; G08B 13/1963; G08B 13/19619;  
G08B 13/19632; F16M 11/04; F16M  
13/00

FIG. 1 is a front perspective view of a security camera according to the present design;  
FIG. 2 is a front elevational view of the security camera of FIG. 1;  
FIG. 3 is a rear elevational view of the security camera of FIG. 1;  
FIG. 4 is a right-side elevational view of the security camera of FIG. 1;  
FIG. 5 is a left-side elevational view of the security camera of FIG. 1;  
FIG. 6 is a top plan view of the security camera of FIG. 1; and,  
FIG. 7 is a bottom plan view of the security camera of FIG. 1.  
The broken lines depict portions of the security camera in which the design is embodied that form no part of the claimed design.

See application file for complete search history.

**1 Claim, 7 Drawing Sheets**



(56)

**References Cited**

U.S. PATENT DOCUMENTS

D825,640 S *	8/2018	Andersson .....	D16/203
D838,767 S *	1/2019	Siminoff .....	D16/219
D839,336 S *	1/2019	Siminoff .....	D16/203
2013/0038728 A1 *	2/2013	Kim .....	H04N 5/2252 348/143

\* cited by examiner

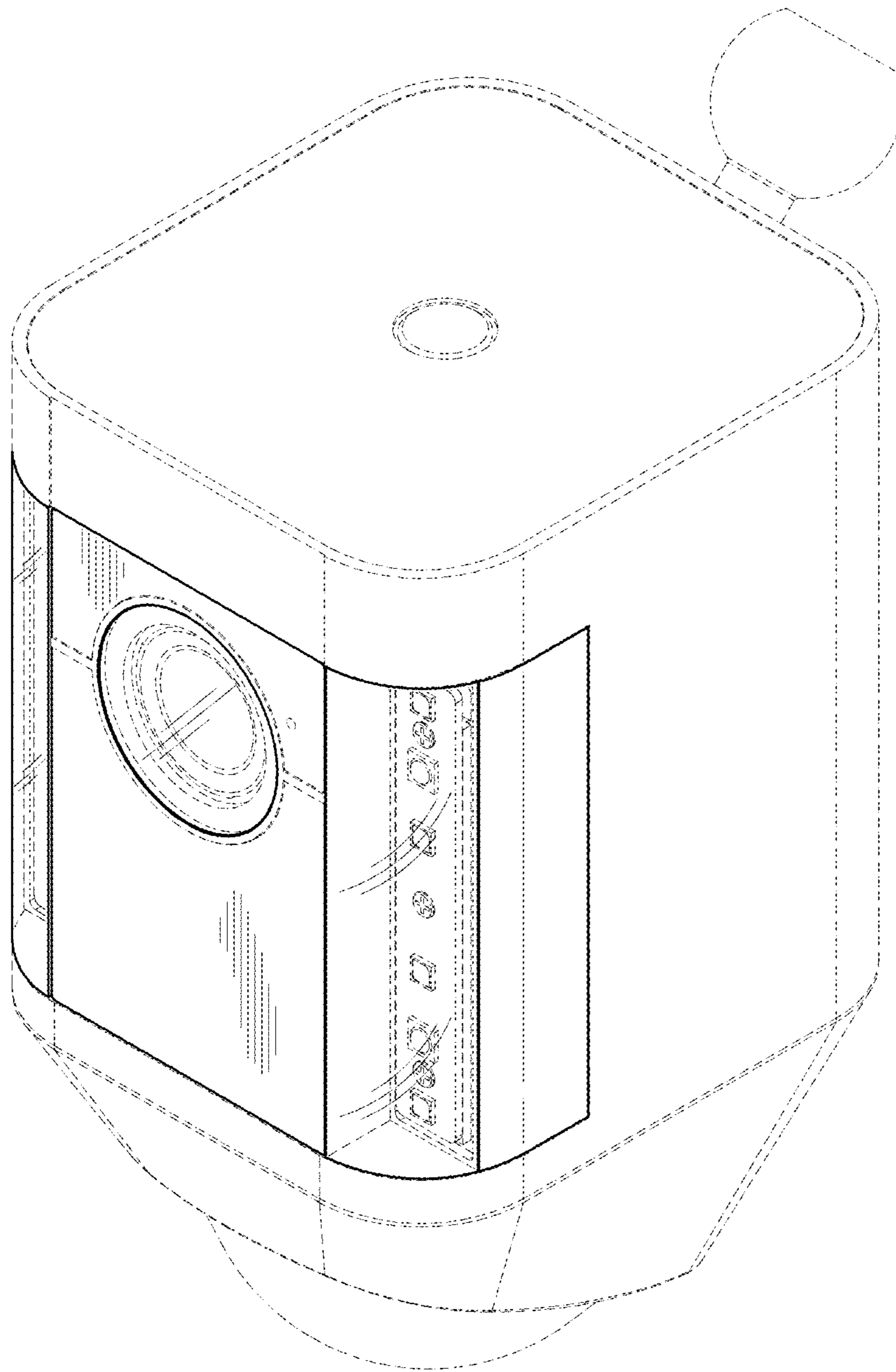


FIG. 1

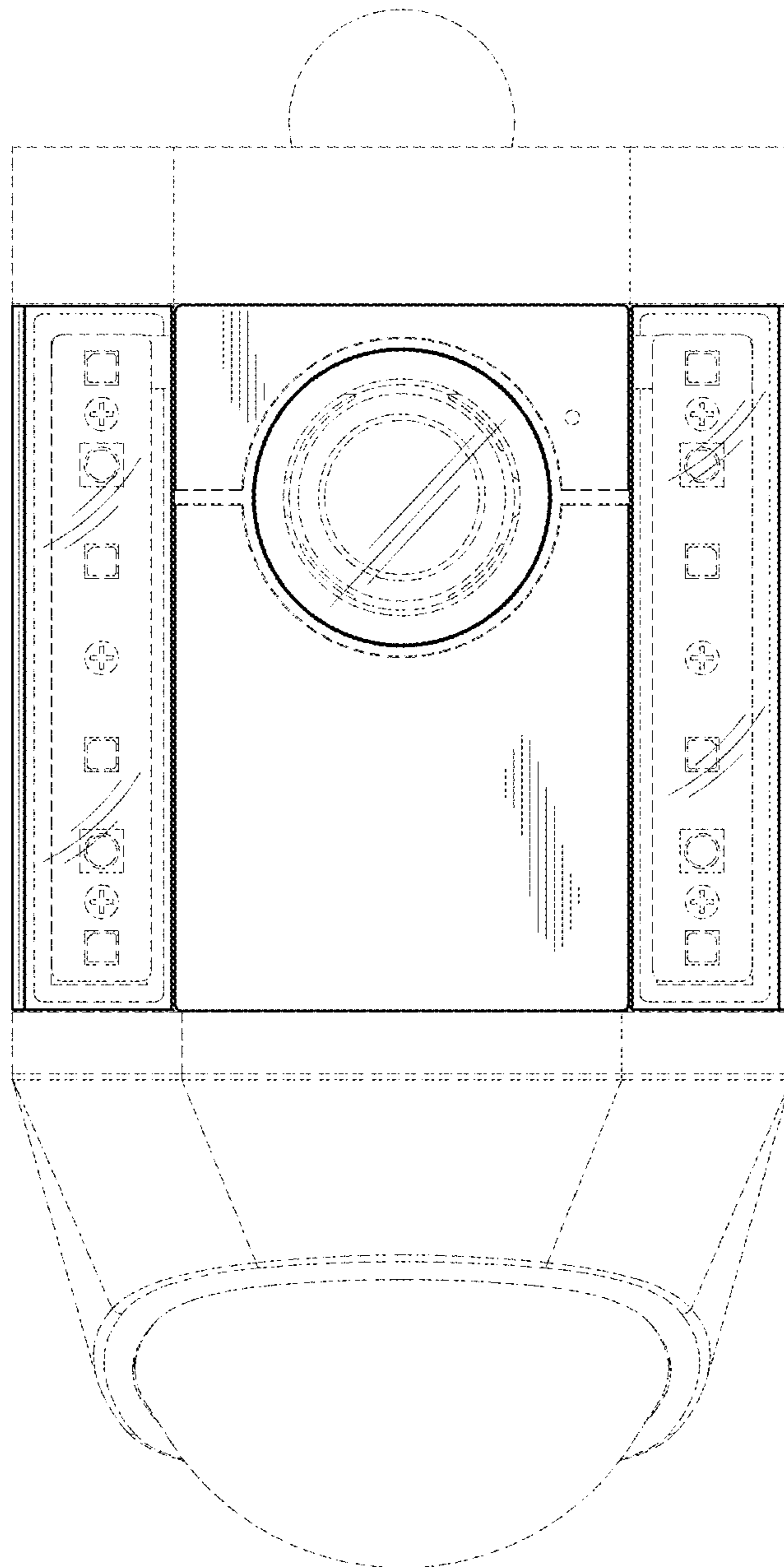


FIG. 2

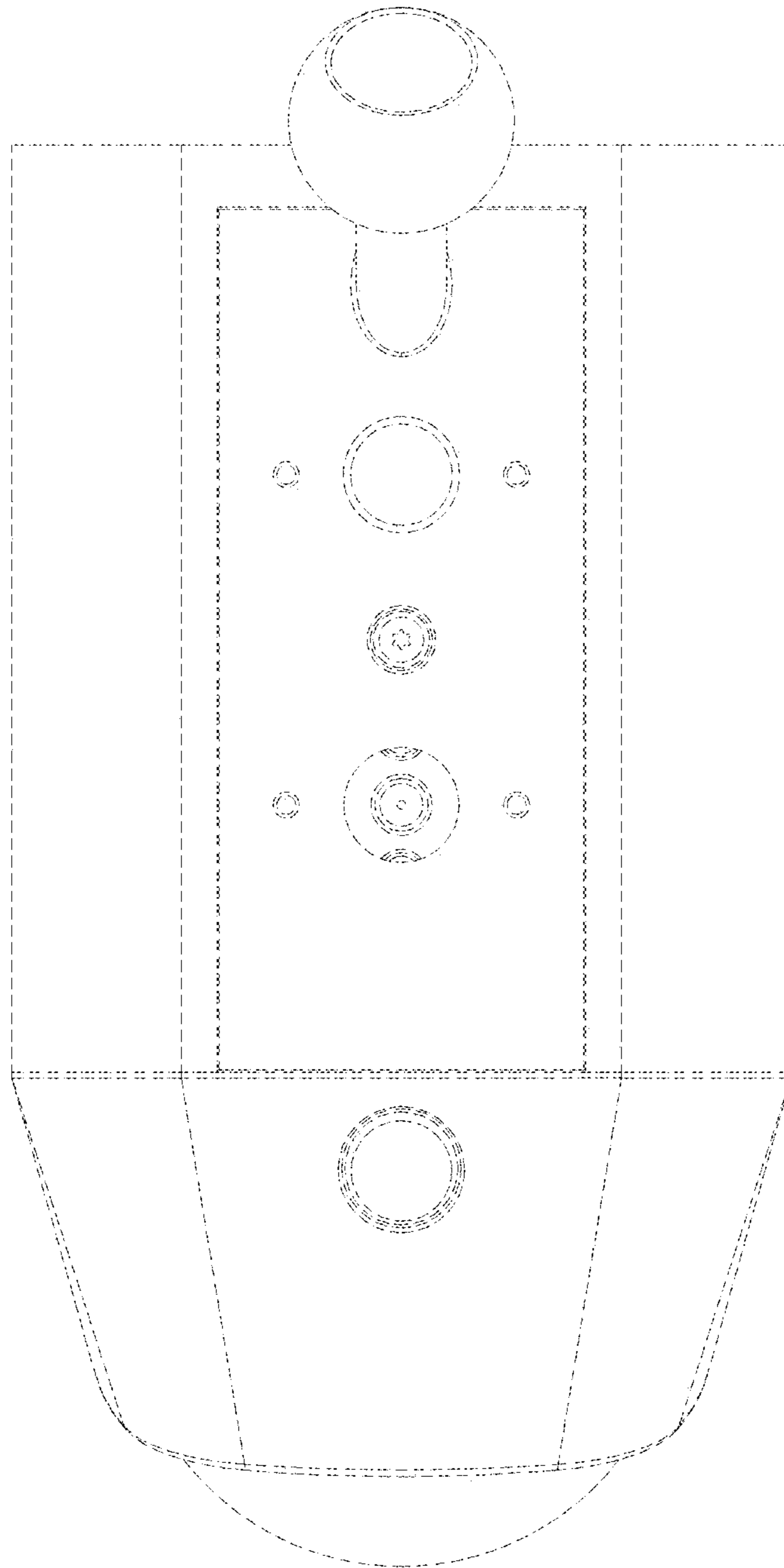


FIG. 3

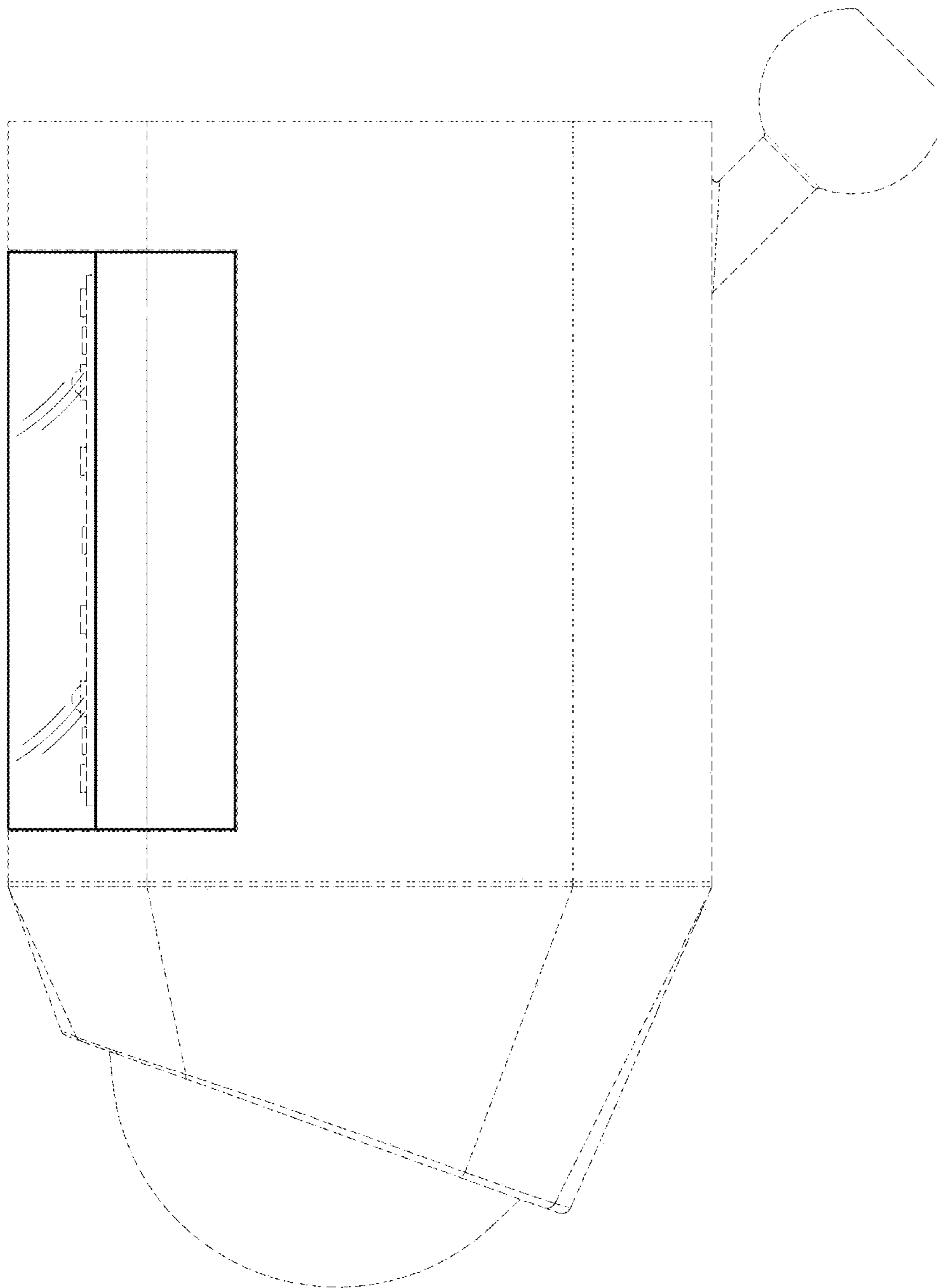


FIG. 4

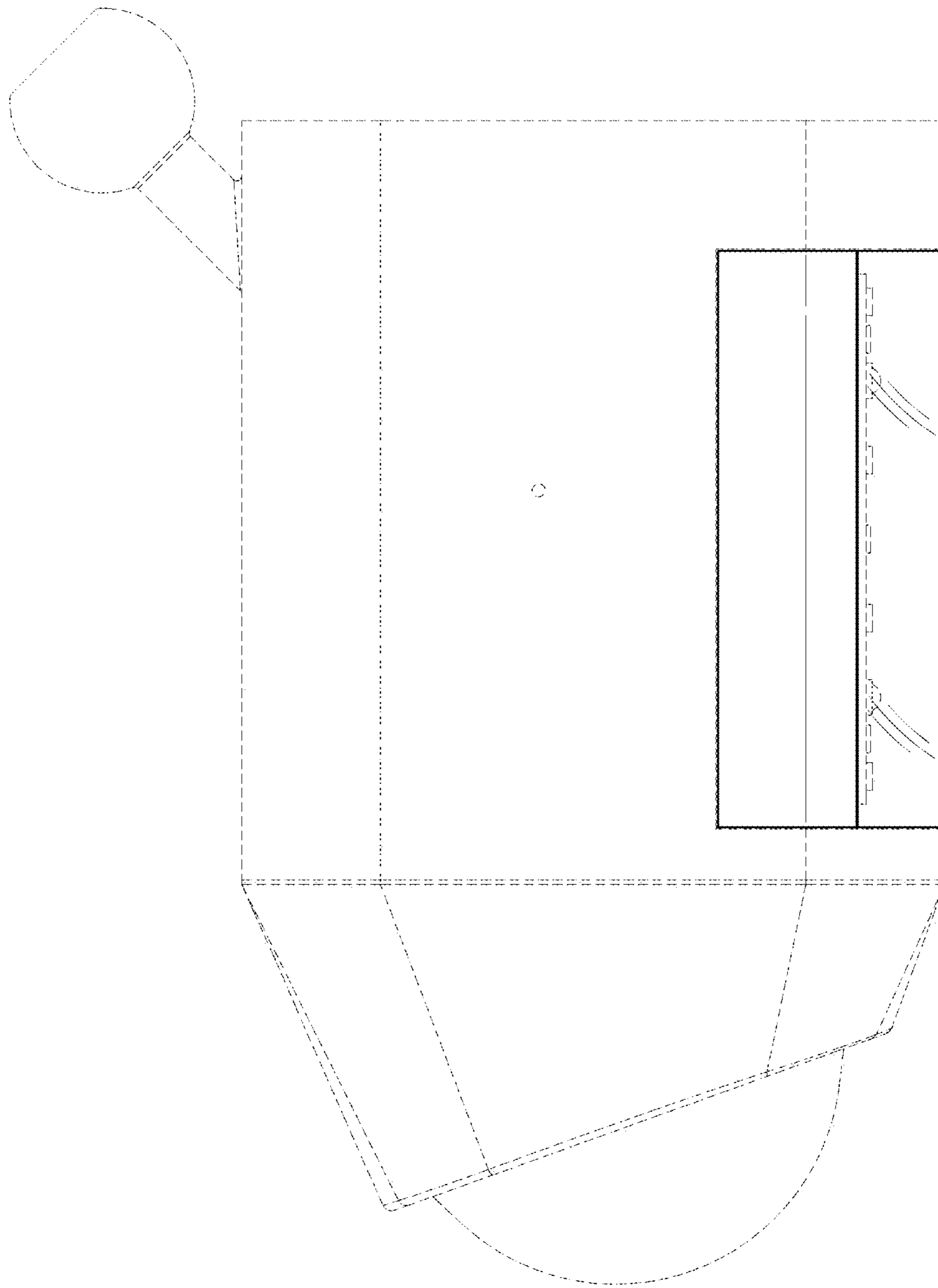


FIG. 5



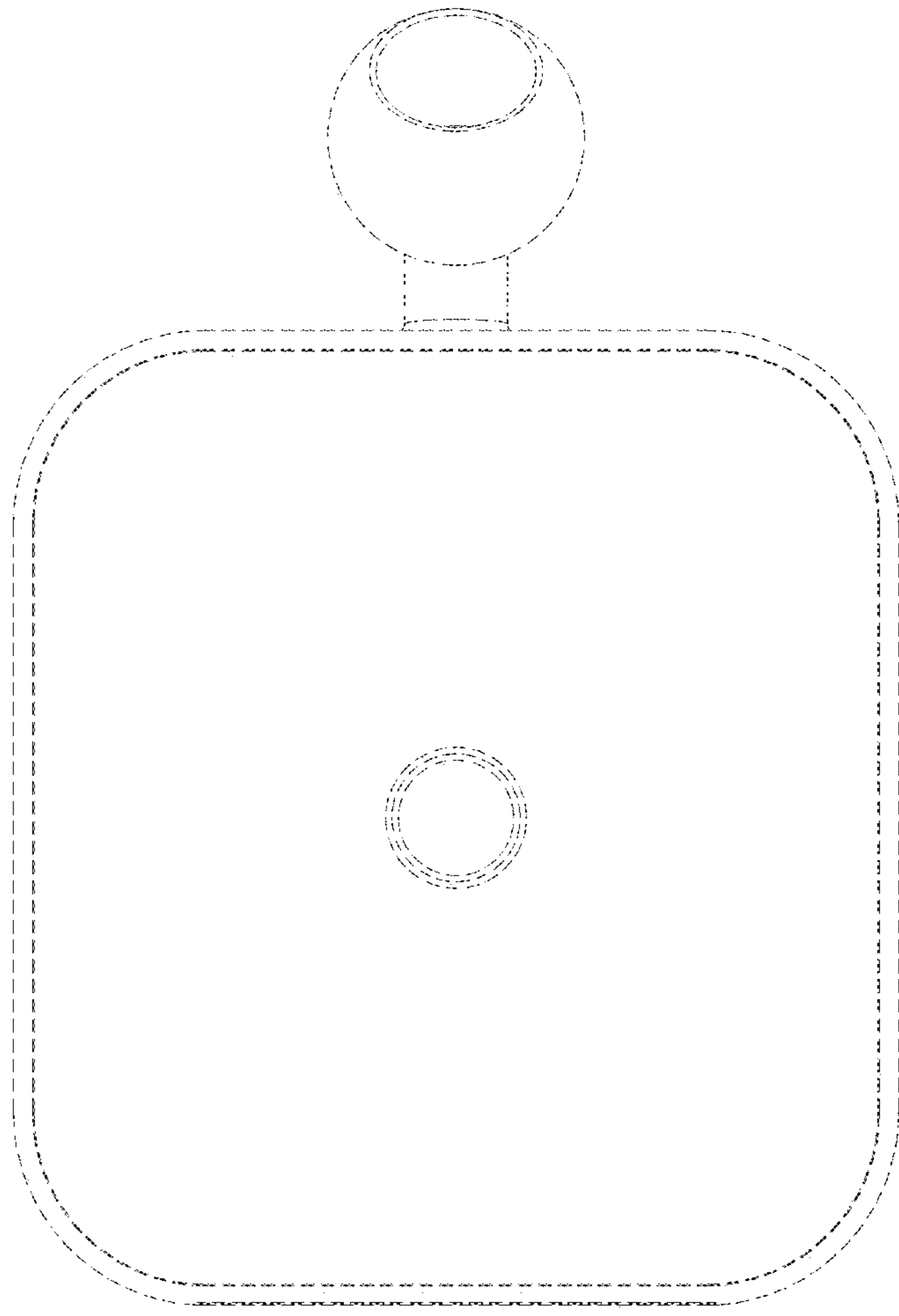


FIG. 6



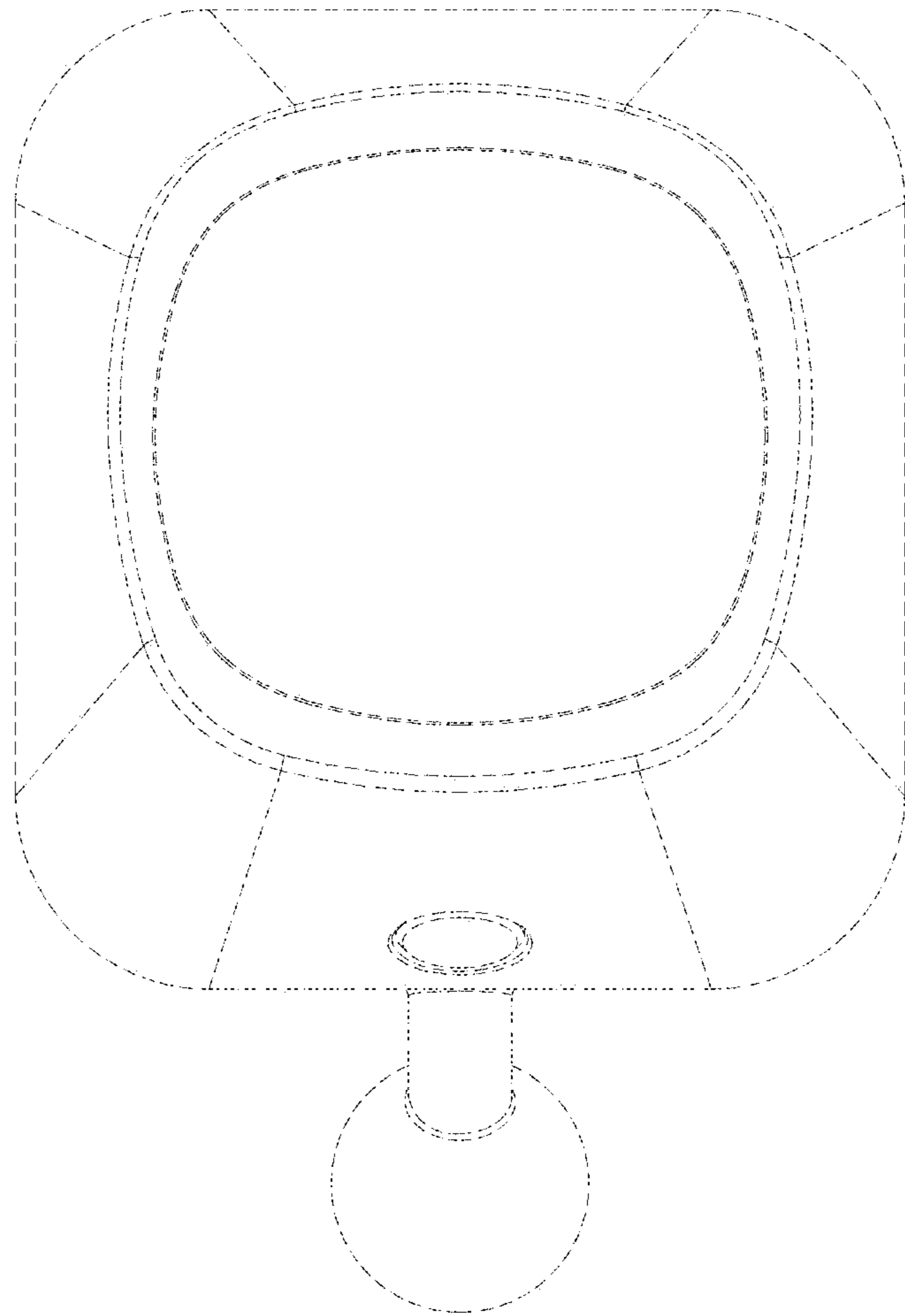


FIG. 7