



US00D874549S

(12) **United States Design Patent** (10) **Patent No.:** **US D874,549 S**  
**Loew et al.** (45) **Date of Patent:** **\*\* Feb. 4, 2020**

(54) **SECURITY CAMERA**

(56) **References Cited**

(71) Applicant: **AMAZON TECHNOLOGIES, INC.**,  
Seattle, WA (US)

U.S. PATENT DOCUMENTS

(72) Inventors: **Christopher Loew**, Palo Alto, CA  
(US); **James Siminoff**, Pacific  
Palisades, CA (US); **Spiro Sacre**, Los  
Angeles, CA (US); **Mark Siminoff**,  
Mountain View, CA (US)

D649,573 S *	11/2011	Al	.....	D16/202
D674,426 S *	1/2013	Konishi	.....	D16/202
D676,476 S *	2/2013	Ishikura	.....	D16/202
D676,477 S *	2/2013	Chen	.....	D16/202
D715,347 S *	10/2014	Troxel	.....	D16/202
D720,379 S *	12/2014	Kim	.....	D16/202
D741,932 S *	10/2015	Huang	.....	D16/202
D743,467 S *	11/2015	Bhattacharya	.....	D16/203
D747,383 S *	1/2016	Li	.....	D16/203
D795,938 S *	8/2017	Ravat	.....	D16/202
D802,645 S *	11/2017	Siminoff	.....	D16/203

(73) Assignee: **Amazon Technologies, Inc.**, Seattle,  
WA (US)

(Continued)

(\*\*) Term: **15 Years**

*Primary Examiner* — Ramzi S Almatrahi

(21) Appl. No.: **29/680,402**

(74) *Attorney, Agent, or Firm* — Lathrop Gage LLP

(22) Filed: **Feb. 15, 2019**

(57) **CLAIM**

**Related U.S. Application Data**

The ornamental design for a security camera, as shown and described.

(60) Division of application No. 29/663,610, filed on Sep. 17, 2018, which is a continuation of application No. 29/632,689, filed on Jan. 9, 2018, now Pat. No. Des. 831,091, which is a continuation of application No. 29/603,240, filed on May 8, 2017, now Pat. No. Des. 810,805.

**DESCRIPTION**

(51) **LOC (12) Cl.** ..... **16-05**

FIG. 1 is a front perspective view of a security camera according to the present design;

(52) **U.S. Cl.**

FIG. 2 is a front elevational view of the security camera of FIG. 1;

USPC ..... **D16/219**

FIG. 3 is a rear elevational view of the security camera of FIG. 1;

(58) **Field of Classification Search**

USPC ..... D16/200, 202–207, 208, 218, 219;  
348/143, 148, 151, 373–376; 396/419,  
396/427, 535, 539–541

FIG. 4 is a right-side elevational view of the security camera of FIG. 1;

CPC ..... G03B 17/02; G03B 19/04; G03B 17/56;  
G03B 17/04; G03B 15/03; H04N 5/2251;  
H04N 5/2252; H04N 5/2253; H04N  
5/2254; H04N 7/181; H04N 7/183; H04N  
7/18; G08B 13/1963; G08B 13/19619;  
G08B 13/19632; F16M 11/04; F16M  
13/00

FIG. 5 is a left-side elevational view of the security camera of FIG. 1;

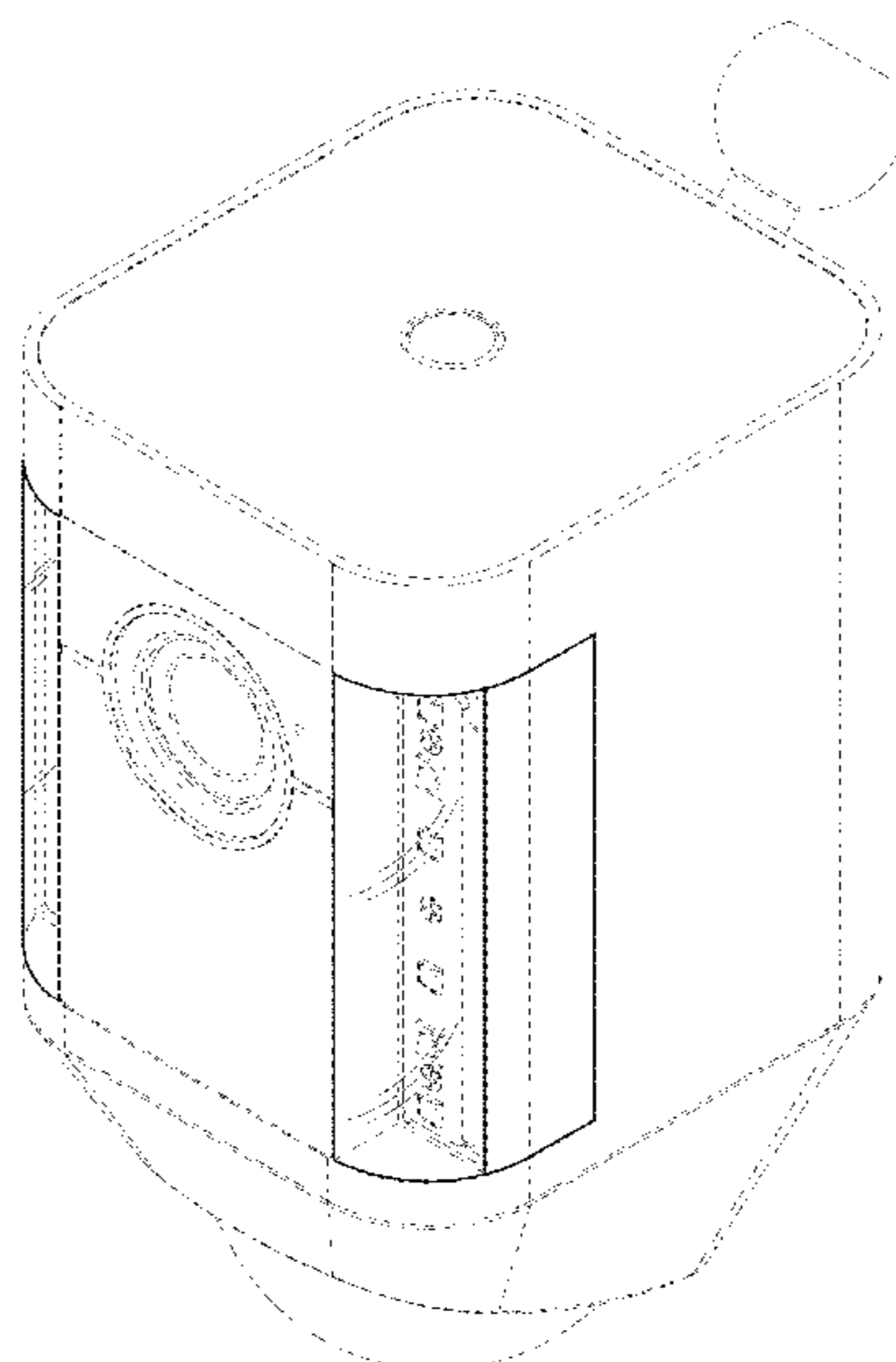
FIG. 6 is a top plan view of the security camera of FIG. 1; and,

FIG. 7 is a bottom plan view of the security camera of FIG. 1.

The broken lines in the figures illustrate portions of the security camera that form no part of the claimed design.

See application file for complete search history.

**1 Claim, 7 Drawing Sheets**



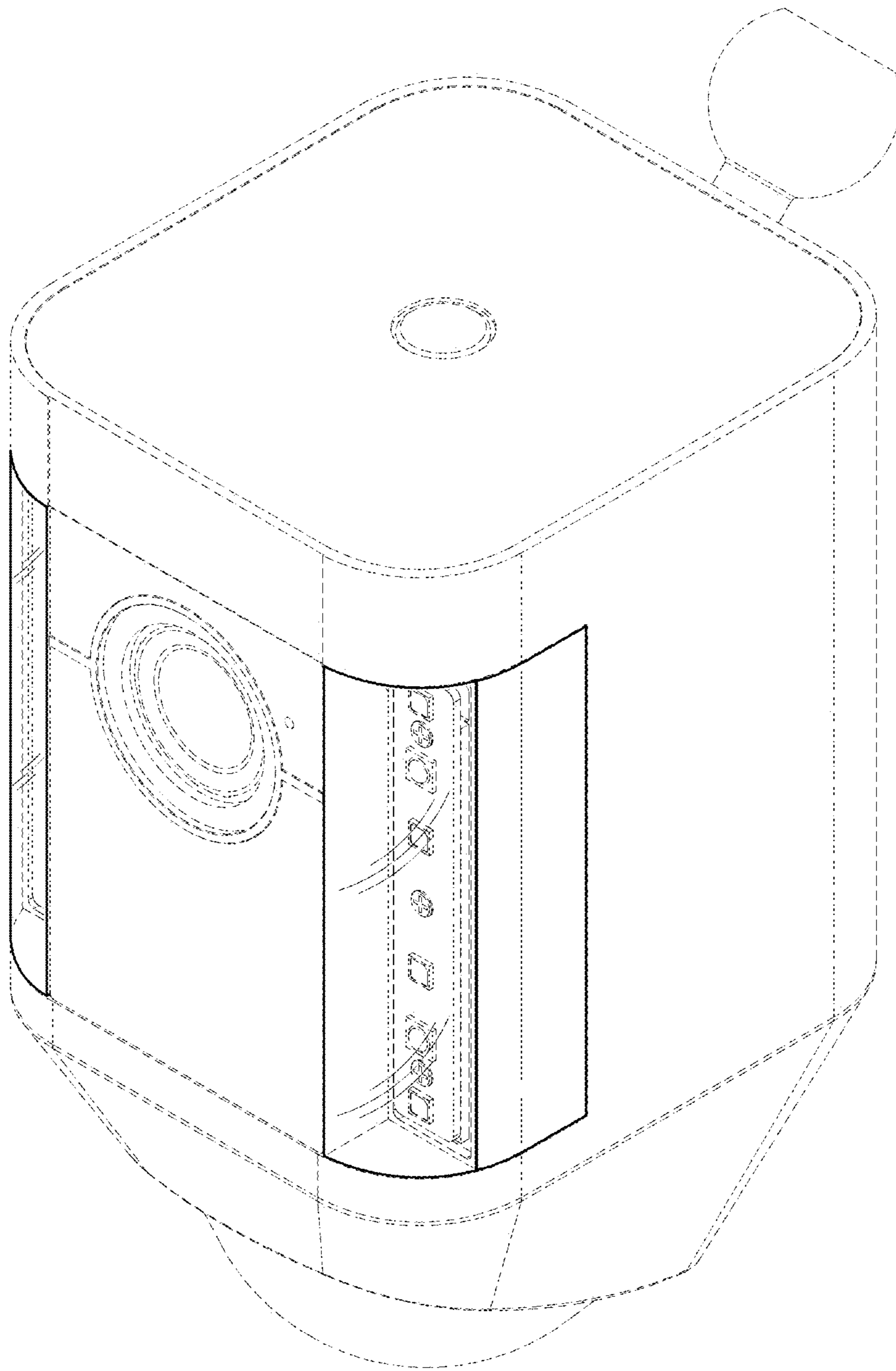
(56)

**References Cited**

U.S. PATENT DOCUMENTS

D818,515 S \* 5/2018 Laurans ..... D16/203  
D825,636 S \* 8/2018 Hueber ..... D16/202

\* cited by examiner



**FIG. 1**

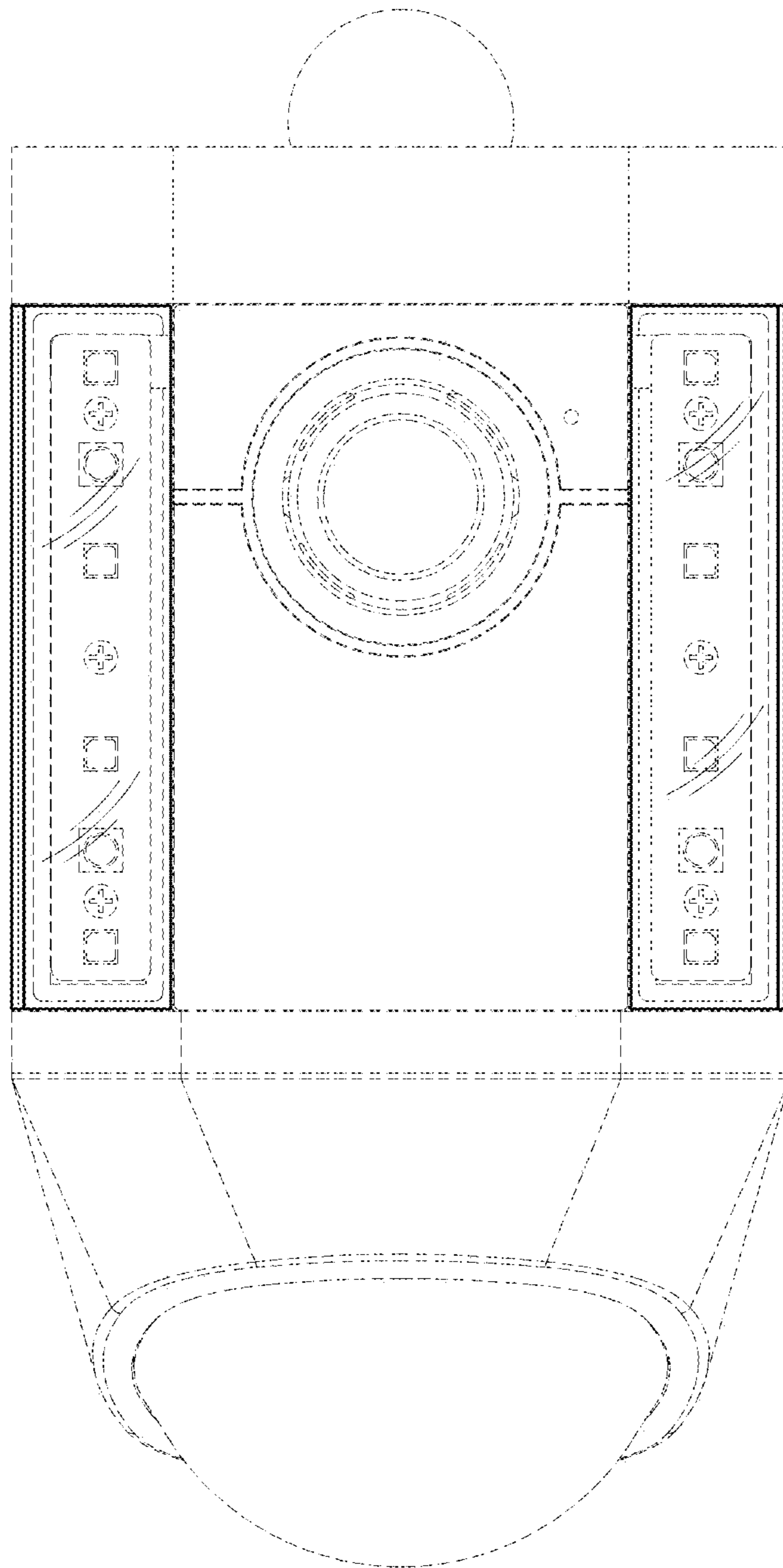
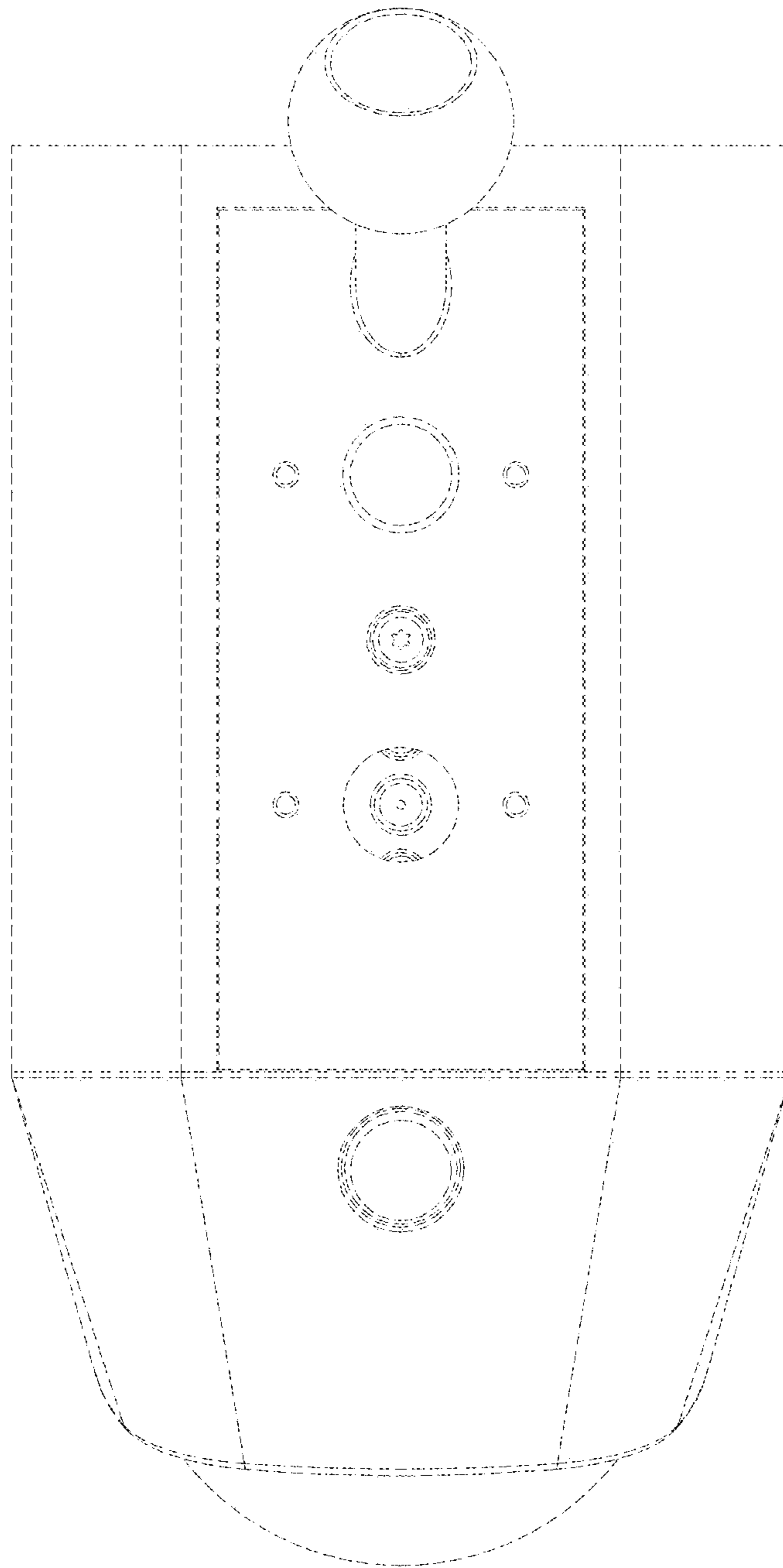
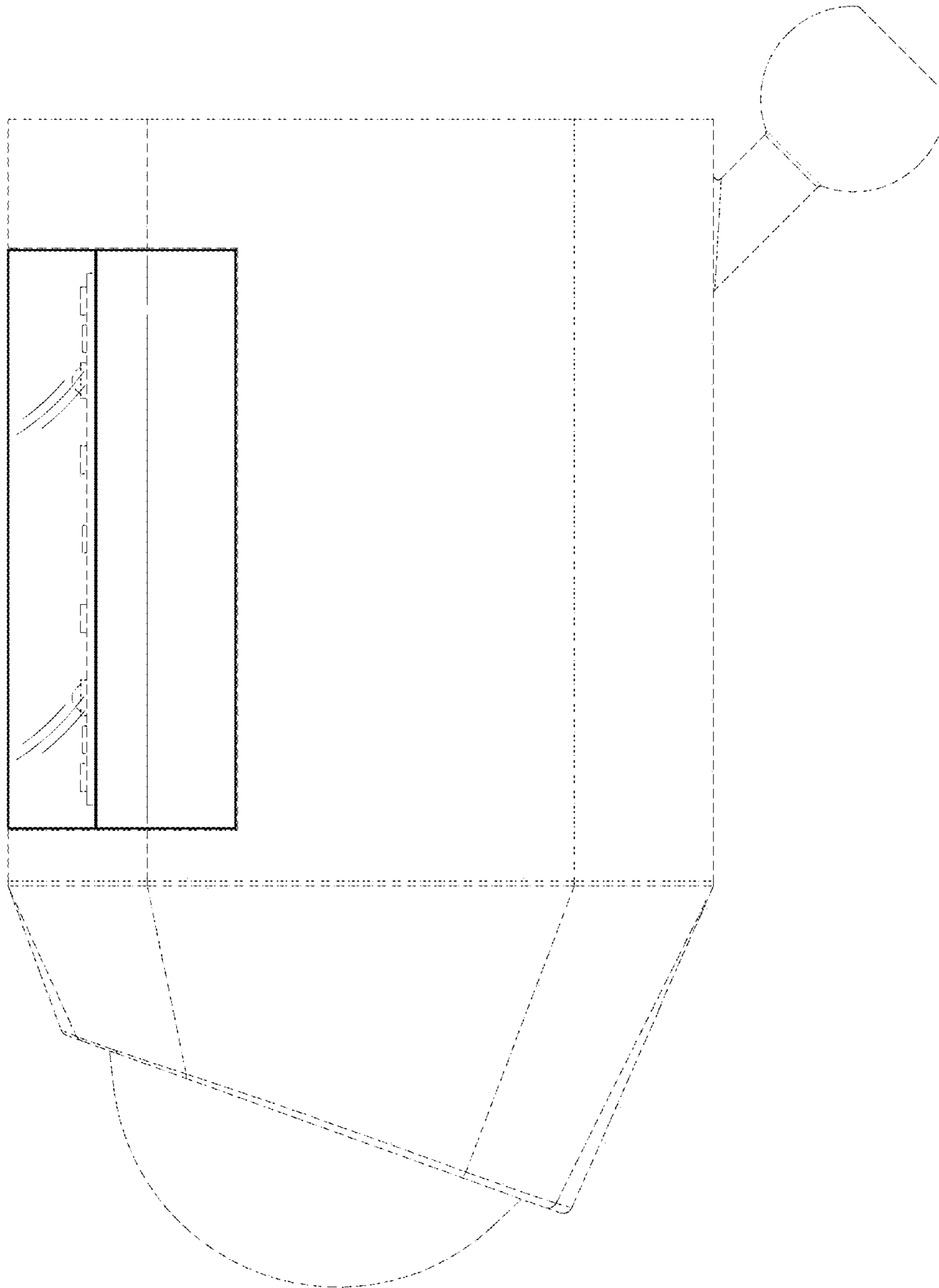


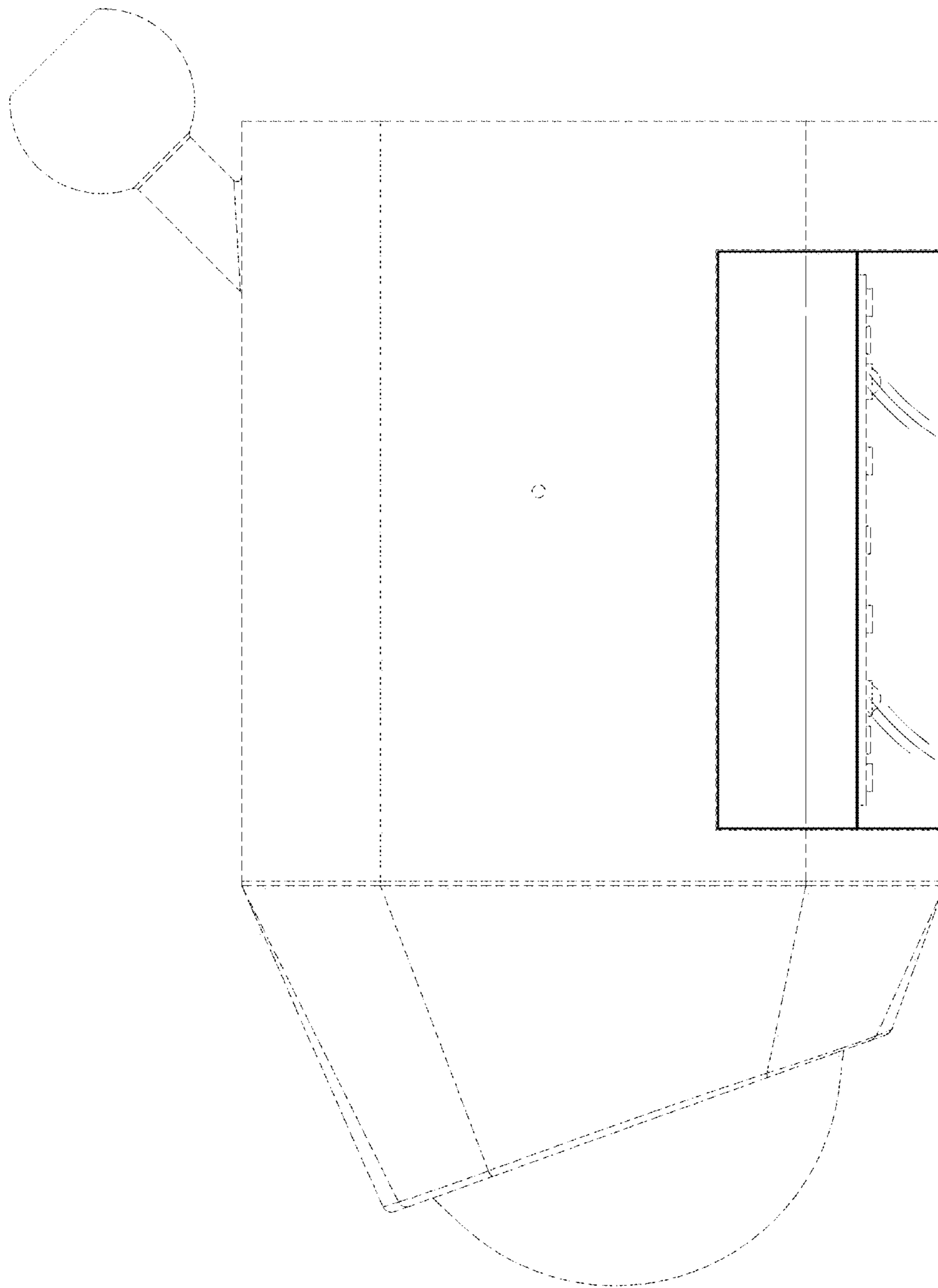
FIG. 2



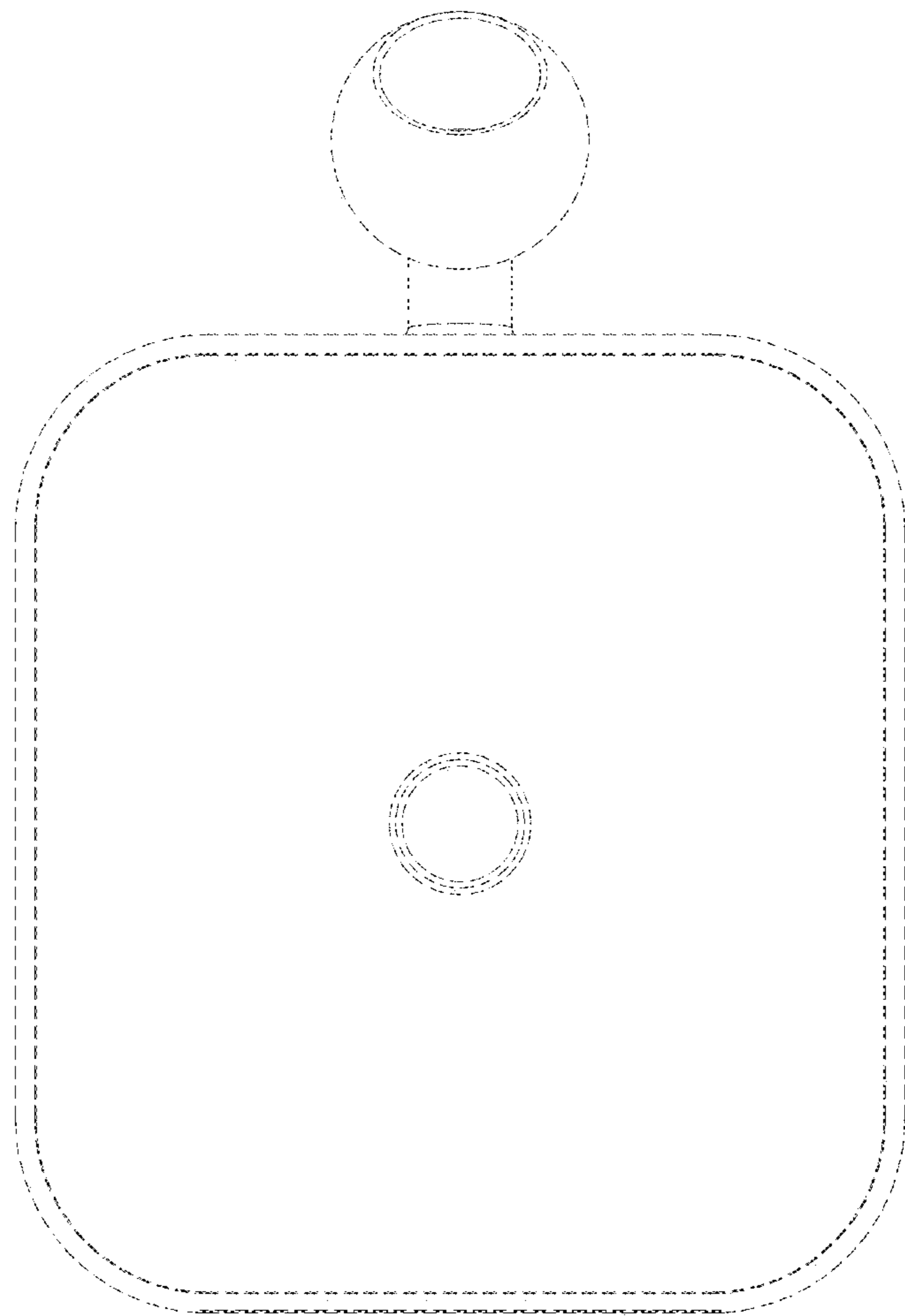
**FIG. 3**



**FIG. 4**

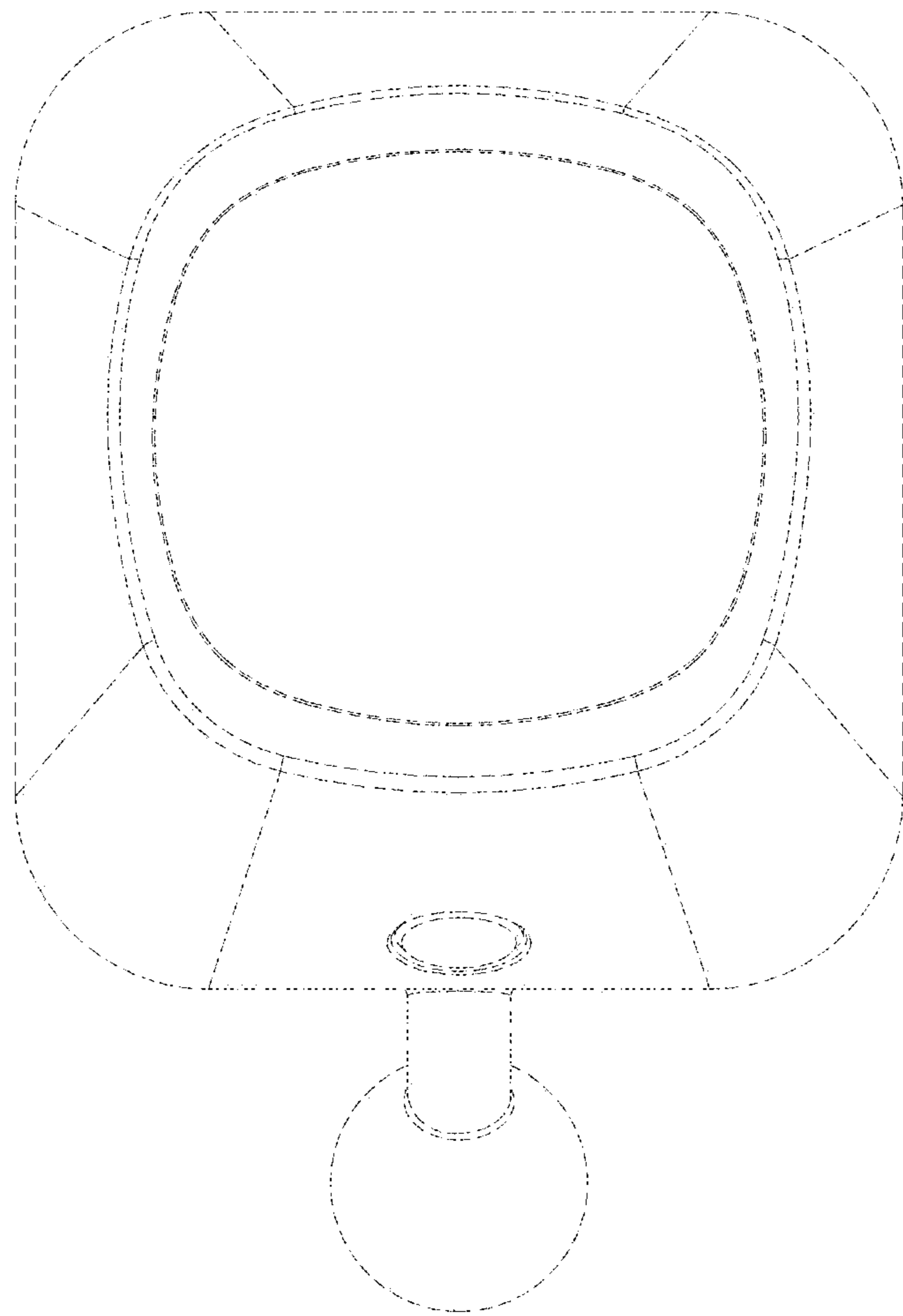


**FIG. 5**



**FIG. 6**





**FIG. 7**