



US00D874548S

(12) **United States Design Patent** (10) **Patent No.:** **US D874,548 S**
Loew et al. (45) **Date of Patent:** **** Feb. 4, 2020**

(54) **SECURITY CAMERA**

FOREIGN PATENT DOCUMENTS

(71) Applicant: **AMAZON TECHNOLOGIES, INC.**,
Seattle, WA (US)

CN 2585521 Y 11/2003
CN 2792061 Y 6/2006

(Continued)

(72) Inventors: **Christopher Loew**, Palo Alto, CA
(US); **James Siminoff**, Pacific
Palisades, CA (US); **Spiro Sacre**, Los
Angeles, CA (US); **Mark Siminoff**,
Mountain View, CA (US)

OTHER PUBLICATIONS

PCT/US2017/043185 International Search Report and Written Opin-
ion of the International Searching Authority, dated Nov. 2017,
Korean Intellectual Property Office, Republic of Korea, 9 pages.

(Continued)

(73) Assignee: **Amazon Technologies, Inc.**, Seattle,
WA (US)

Primary Examiner — Ramzi S Almatrahi

(**) Term: **15 Years**

(74) *Attorney, Agent, or Firm* — Lathrop Gage LLP

(21) Appl. No.: **29/663,610**

(57) **CLAIM**

The ornamental design for a security camera, as shown and
described.

(22) Filed: **Sep. 17, 2018**

DESCRIPTION

Related U.S. Application Data

(63) Continuation of application No. 29/632,689, filed on
Jan. 9, 2018, now Pat. No. Des. 831,091, which is a
(Continued)

(51) **LOC (12) Cl.** **16-05**

(52) **U.S. Cl.**
USPC **D16/219**

(58) **Field of Classification Search**
USPC D16/200, 202–206, 208, 218, 219, 242;
348/143, 148, 151, 373–376; 396/419,
396/427, 535, 539–541

(Continued)

(56) **References Cited**

U.S. PATENT DOCUMENTS

4,764,953 A 8/1988 Chern et al.
5,428,388 A 6/1995 Von Bauer et al.

(Continued)

FIG. 1 is a front perspective view of a security camera
according to the present design;

FIG. 2 is a front elevational view of the security camera of
FIG. 1;

FIG. 3 is a rear elevational view of the security camera of
FIG. 1;

FIG. 4 is a right-side elevational view of the security camera
of FIG. 1;

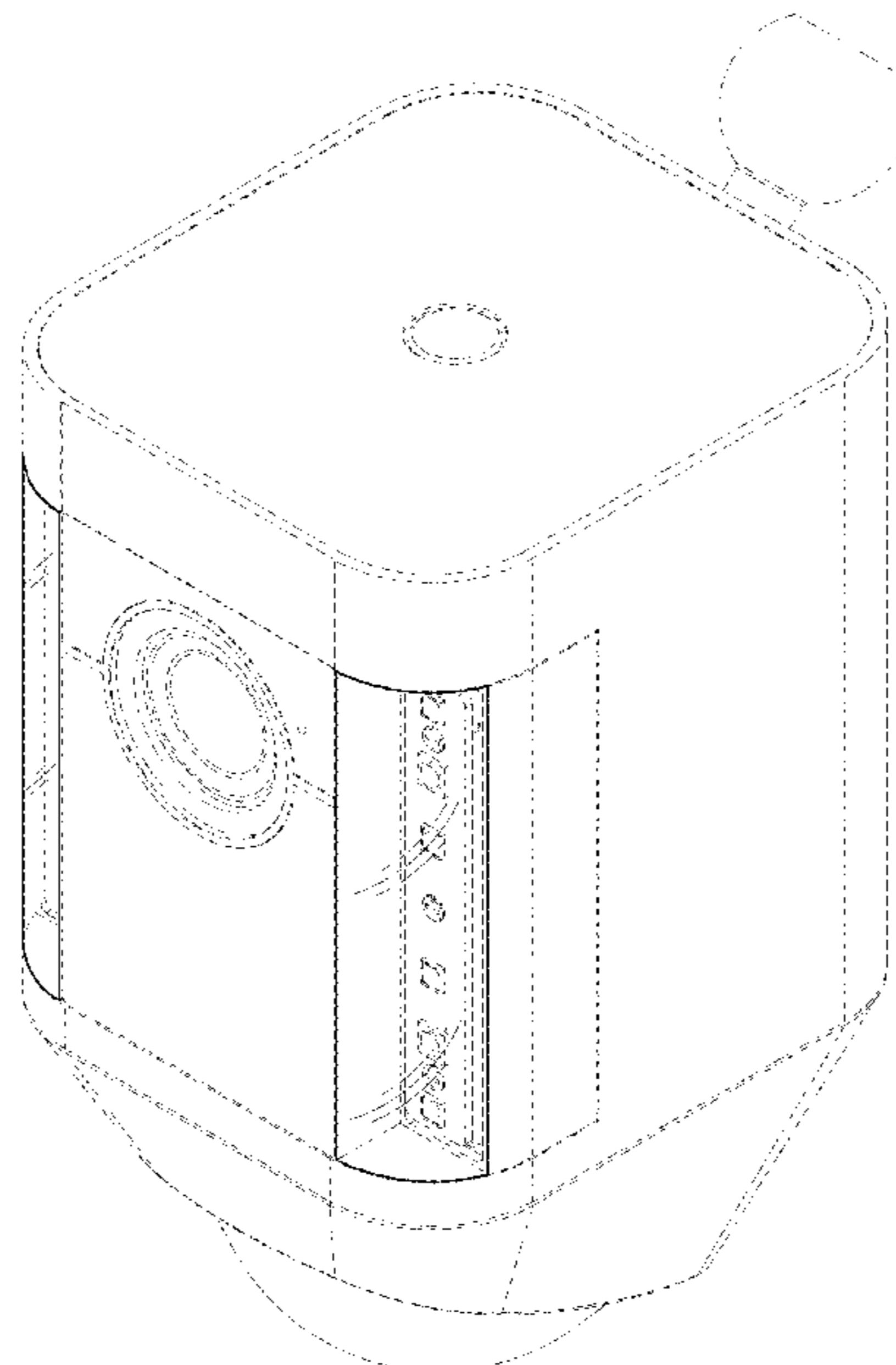
FIG. 5 is a left-side elevational view of the security camera
of FIG. 1;

FIG. 6 is a top plan view of the security camera of FIG. 1;
and,

FIG. 7 is a bottom plan view of the security camera of FIG.
1.

The broken lines depict portions of the security camera in
which the design is embodied that form no part of the
claimed design.

1 Claim, 7 Drawing Sheets



Related U.S. Application Data

continuation of application No. 29/603,240, filed on May 8, 2017, now Pat. No. Des. 810,805.

- (58) **Field of Classification Search**
 CPC G03B 17/02; G03B 19/04; G03B 17/56; G03B 17/04; G03B 15/03; H04N 5/2251; H04N 5/2252; H04N 5/2253; H04N 5/2254; H04N 7/181; H04N 7/183; H04N 7/18; G08B 13/1963; G08B 13/19619; G08B 13/19632; F16M 11/04; F16M 13/00

See application file for complete search history.

(56) **References Cited**

U.S. PATENT DOCUMENTS

D369,225 S 4/1996 Sandell
 5,598,066 A 1/1997 Wiesemann et al.
 5,649,761 A 7/1997 Sandell et al.
 5,760,848 A 6/1998 Cho
 6,072,402 A 6/2000 Kniffin et al.
 6,192,257 B1 2/2001 Ray
 6,271,752 B1 8/2001 Vaios
 6,429,893 B1 8/2002 Xin
 6,456,322 B1 9/2002 Marinacci
 6,476,858 B1 11/2002 Ramirez Diaz et al.
 6,633,231 B1 10/2003 Okamoto et al.
 6,658,091 B1 12/2003 Naidoo et al.
 6,753,774 B2 6/2004 Pan et al.
 6,970,183 B1 11/2005 Monroe
 7,062,291 B2 6/2006 Ryley et al.
 7,065,196 B2 6/2006 Lee
 7,085,361 B2 6/2006 Lee
 7,109,860 B2 9/2006 Wang
 7,193,644 B2 3/2007 Carter
 7,304,572 B2 12/2007 Sheynman et al.
 7,382,249 B2 6/2008 Fancella
 7,450,638 B2 11/2008 Iwamura
 7,643,056 B2 1/2010 Silsby
 7,683,924 B2 3/2010 Oh et al.
 7,683,929 B2 3/2010 Elazar et al.
 7,738,917 B2 6/2010 Ryley et al.
 D638,458 S 5/2011 Miyamori et al.
 D649,573 S 11/2011 Al
 8,139,098 B2 3/2012 Carter
 8,144,183 B2 3/2012 Carter
 8,154,581 B2 4/2012 Carter
 D674,426 S * 1/2013 Konishi D16/202
 D676,476 S * 2/2013 Ishikura D16/202
 D676,477 S * 2/2013 Chen D16/202
 8,619,136 B2 12/2013 Howarter et al.
 D697,119 S 1/2014 Park et al.
 8,780,201 B1 7/2014 Scalisi et al.
 8,823,795 B1 9/2014 Scalisi et al.
 8,842,180 B1 9/2014 Kasmir et al.
 D715,347 S * 10/2014 Troxel D16/202
 8,872,915 B1 10/2014 Scalisi et al.
 D720,379 S * 12/2014 Kim D16/202
 D721,754 S 1/2015 Chen
 8,937,659 B1 1/2015 Scalisi et al.
 8,941,736 B1 1/2015 Scalisi
 8,947,530 B1 2/2015 Scalisi
 8,953,040 B1 2/2015 Scalisi et al.
 8,988,232 B1 3/2015 Sloo et al.
 9,013,575 B2 4/2015 Scalisi
 9,049,352 B2 6/2015 Scalisi et al.
 9,053,622 B2 6/2015 Scalisi
 9,055,202 B1 6/2015 Scalisi et al.
 9,058,738 B1 6/2015 Scalisi
 9,060,103 B2 6/2015 Scalisi
 9,060,104 B2 6/2015 Scalisi
 9,065,987 B2 6/2015 Kasmir et al.
 9,094,584 B2 7/2015 Scalisi et al.
 9,109,378 B2 8/2015 Scalisi
 9,113,051 B1 8/2015 Scalisi

9,113,052 B1 8/2015 Scalisi et al.
 9,118,819 B1 8/2015 Scalisi et al.
 9,123,222 B2 9/2015 Shpater
 9,142,214 B2 9/2015 Scalisi
 D741,932 S 10/2015 Huang et al.
 9,160,987 B1 10/2015 Kasmir et al.
 9,165,444 B2 10/2015 Scalisi
 9,172,917 B1 10/2015 Fu et al.
 9,172,920 B1 10/2015 Kasmir et al.
 9,172,921 B1 10/2015 Scalisi et al.
 9,172,922 B1 10/2015 Kasmir et al.
 D743,467 S 11/2015 Bhattacharya
 9,179,107 B1 11/2015 Scalisi et al.
 9,179,108 B1 11/2015 Scalisi et al.
 9,179,109 B1 11/2015 Kasmir et al.
 9,196,133 B2 11/2015 Scalisi et al.
 9,197,867 B1 11/2015 Scalisi et al.
 D747,383 S 1/2016 Li
 9,230,424 B1 1/2016 Scalisi et al.
 9,237,318 B2 1/2016 Kasmir et al.
 9,247,219 B2 1/2016 Kasmir et al.
 9,253,455 B1 2/2016 Harrison et al.
 D754,231 S 4/2016 Murray
 D754,767 S 4/2016 Sandy
 D755,875 S 5/2016 Geng et al.
 9,342,936 B2 5/2016 Scalisi
 D766,352 S 9/2016 Hinkel
 9,508,239 B1 11/2016 Harrison et al.
 D788,607 S 6/2017 Ji et al.
 D788,834 S 6/2017 Bhattacharya et al.
 D795,938 S * 8/2017 Ravat D16/202
 D795,941 S 8/2017 Dimitriadis et al.
 9,736,284 B2 8/2017 Scalisi et al.
 9,743,049 B2 8/2017 Scalisi et al.
 9,769,435 B2 9/2017 Scalisi et al.
 D798,933 S 10/2017 Little
 D798,934 S 10/2017 Wu
 9,786,133 B2 10/2017 Harrison et al.
 9,799,183 B2 10/2017 Harrison et al.
 D802,645 S 11/2017 Siminoff et al.
 9,819,910 B2 11/2017 Huang et al.
 9,838,652 B2 12/2017 Chien
 D810,805 S 2/2018 Loew et al.
 D815,174 S 4/2018 Holbrook et al.
 D818,515 S 5/2018 Laurans et al.
 D821,478 S 6/2018 Siminoff et al.
 D824,447 S 7/2018 Li
 D824,985 S 8/2018 Teachworth et al.
 D825,636 S * 8/2018 Hueber D16/202
 D825,638 S 8/2018 Holbrook
 D825,640 S 8/2018 Andersson
 10,062,258 B2 8/2018 Siminoff et al.
 2002/0014971 A1 2/2002 Ferraro
 2002/0094111 A1 7/2002 Puchek et al.
 2002/0147982 A1 10/2002 Naidoo et al.
 2003/0043047 A1 3/2003 Braun
 2004/0085205 A1 5/2004 Yeh
 2004/0085450 A1 5/2004 Stuart
 2004/0086093 A1 5/2004 Schranz
 2004/0095254 A1 5/2004 Maruszczak
 2004/0135686 A1 7/2004 Parker
 2004/0183679 A1 9/2004 Paximadis et al.
 2005/0111660 A1 5/2005 Hosoda
 2006/0010199 A1 1/2006 Brailean et al.
 2006/0022816 A1 2/2006 Yukawa
 2006/0139449 A1 6/2006 Cheng et al.
 2006/0156361 A1 7/2006 Wang et al.
 2007/0008081 A1 1/2007 Tylicki et al.
 2008/0198583 A1 8/2008 McMillen
 2010/0141153 A1 6/2010 Recker et al.
 2010/0225455 A1 9/2010 Claiborne et al.
 2010/0259383 A1 10/2010 Botha
 2011/0121654 A1 5/2011 Recker
 2012/0080944 A1 4/2012 Recker et al.
 2013/0038728 A1 2/2013 Kim
 2013/0057695 A1 3/2013 Huisking
 2014/0160349 A1 6/2014 Huang et al.
 2014/0267716 A1 9/2014 Child et al.
 2015/0022620 A1 1/2015 Siminoff

(56)

References Cited

U.S. PATENT DOCUMENTS

2015/0035987 A1 2/2015 Fernandez
 2015/0163463 A1 6/2015 Hwang et al.
 2015/0179031 A1 6/2015 Wallace
 2017/0124823 A1 5/2017 Smith
 2018/0033273 A1 2/2018 Siminoff
 2018/0330592 A1 11/2018 Siminoff et al.

FOREIGN PATENT DOCUMENTS

EP 0944883 B1 6/1998
 EP 1480462 A1 11/2004
 GB 2286283 A 8/1995
 GB 2354394 A 3/2001
 GB 2357387 A 6/2001
 GB 2400958 A 10/2004
 JP 2001-103463 A2 4/2001
 JP 2002-033839 A2 1/2002
 JP 2002-125059 A2 4/2002
 JP 2002-342863 A2 11/2002
 JP 2002-344640 A2 11/2002
 JP 2002-354137 A2 12/2002
 JP 2002-368890 A2 12/2002

JP 2003-283696 A2 10/2003
 JP 2004-128835 A 4/2004
 JP 2004-265372 9/2004
 JP 2005-341040 A 12/2005
 JP 2006-147650 A 6/2006
 JP 2006-262342 A 9/2006
 JP 09-008925 A 1/2009
 KR 10-0829179 5/2008
 KR 10-2016-0058550 5/2016
 WO WO 199839894 A1 9/1998
 WO WO 2001013638 A1 2/2001
 WO WO 200193220 A1 12/2001
 WO WO 2002085019 A1 10/2002
 WO WO 2003028375 A1 4/2003
 WO WO 2003096696 A1 11/2003
 WO WO 2006038760 A1 4/2006
 WO WO 2006067782 A1 6/2006
 WO WO 2007125143 A1 8/2007

OTHER PUBLICATIONS

Sengled Snap User Manual; Snap AS01-PAR38NAE26 LED Bulb;
 Snap-User-Manual (copyrighted 2015).

* cited by examiner

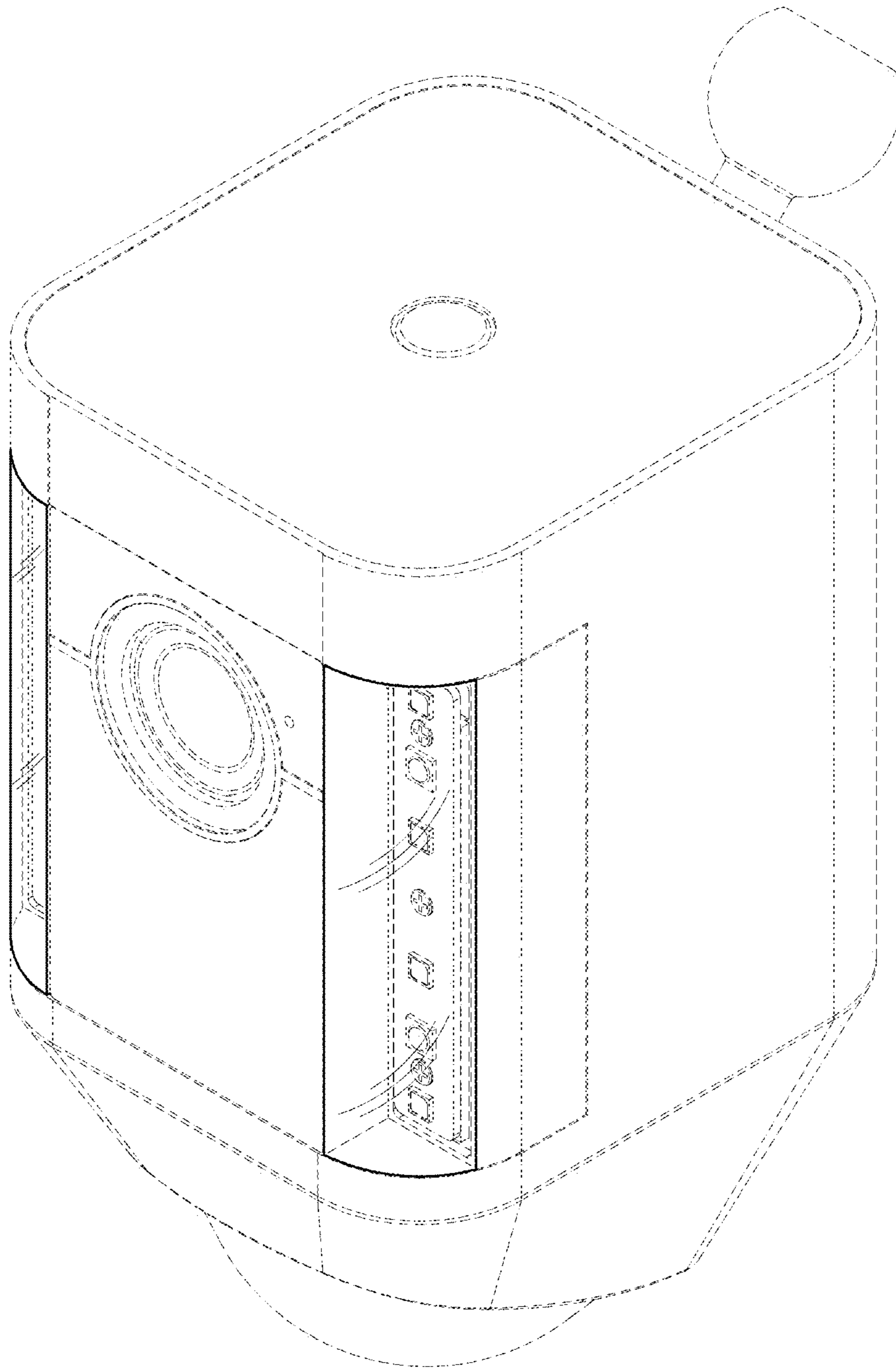


FIG. 1

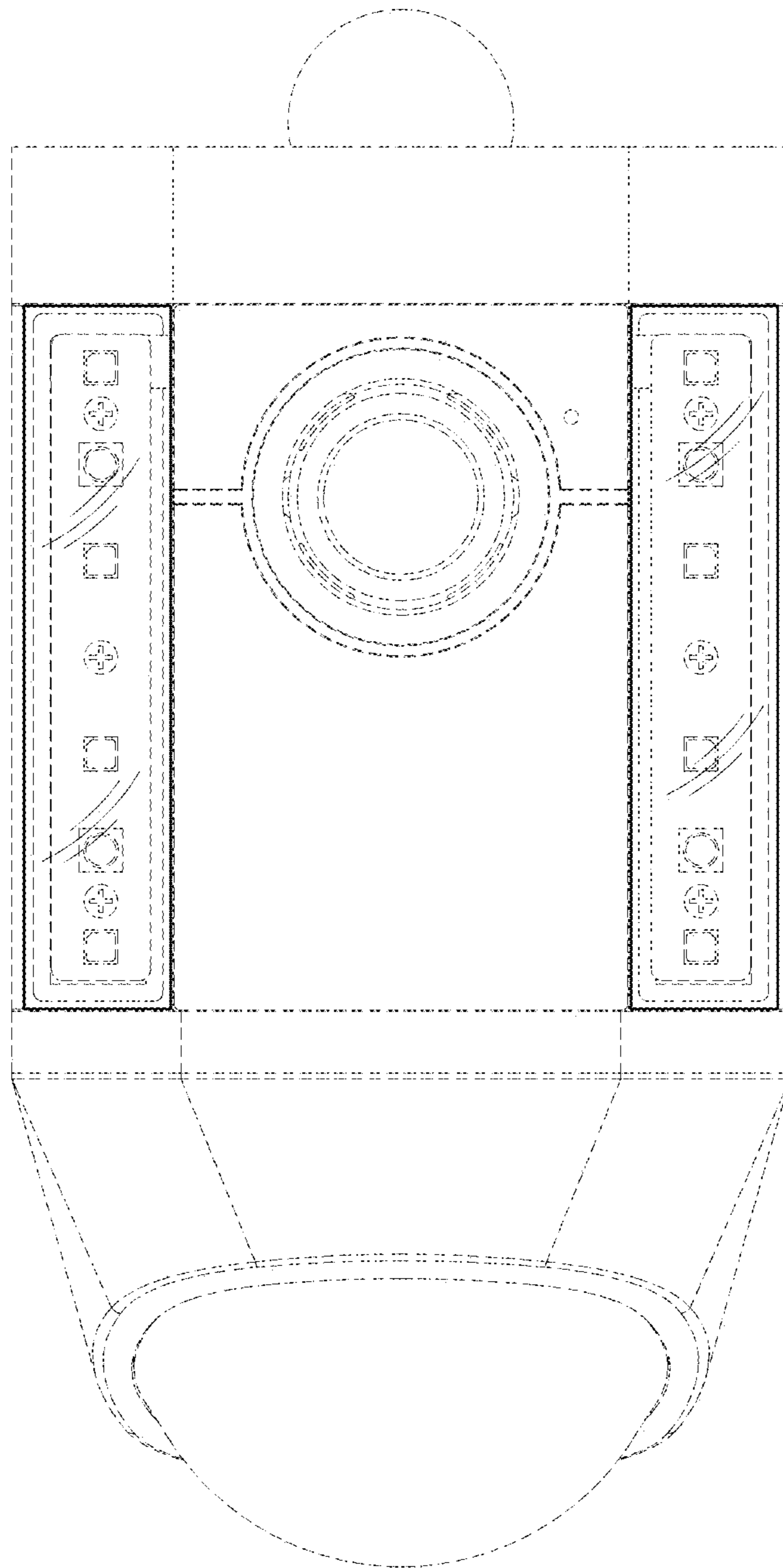


FIG. 2

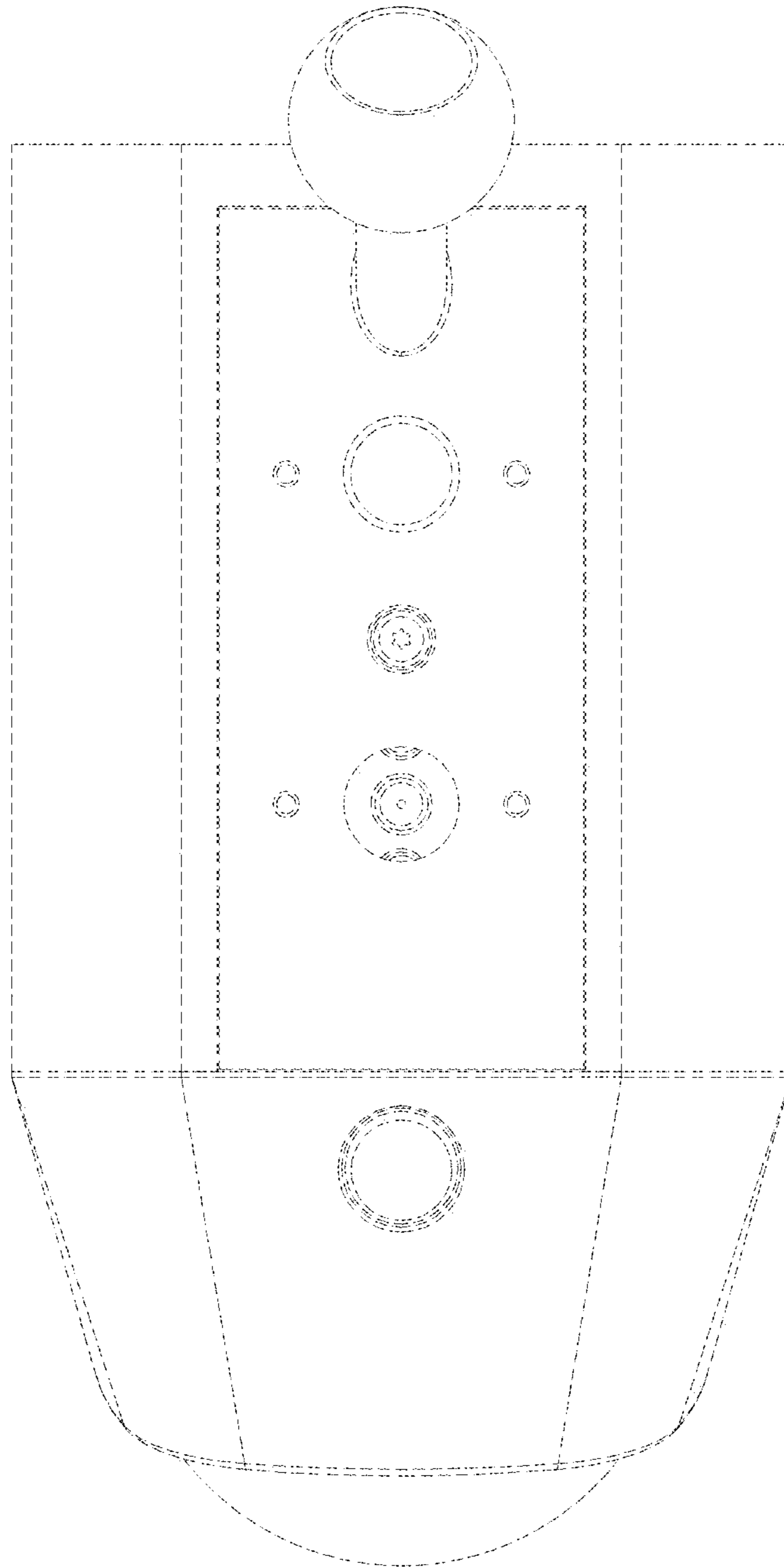


FIG. 3

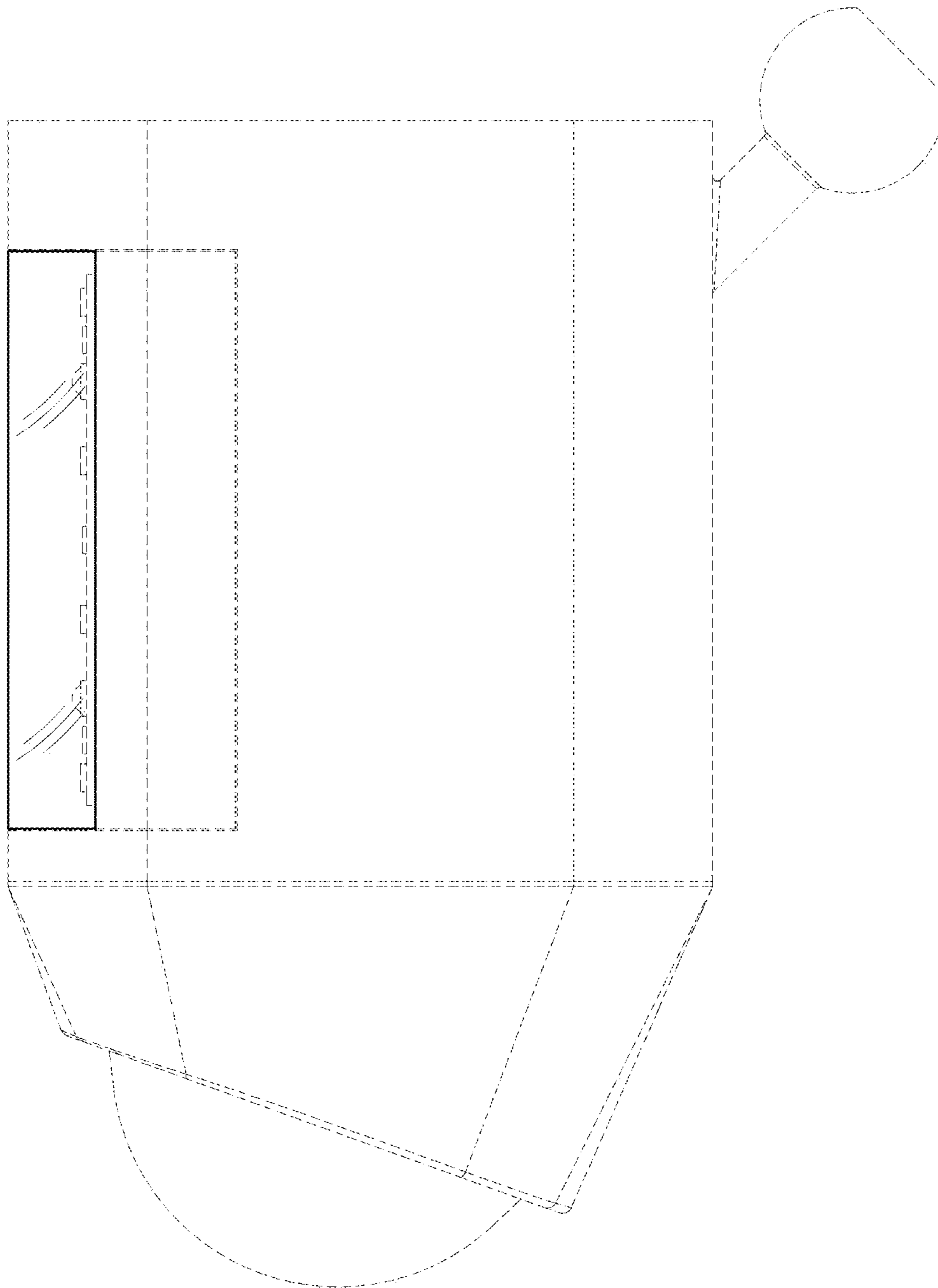


FIG. 4

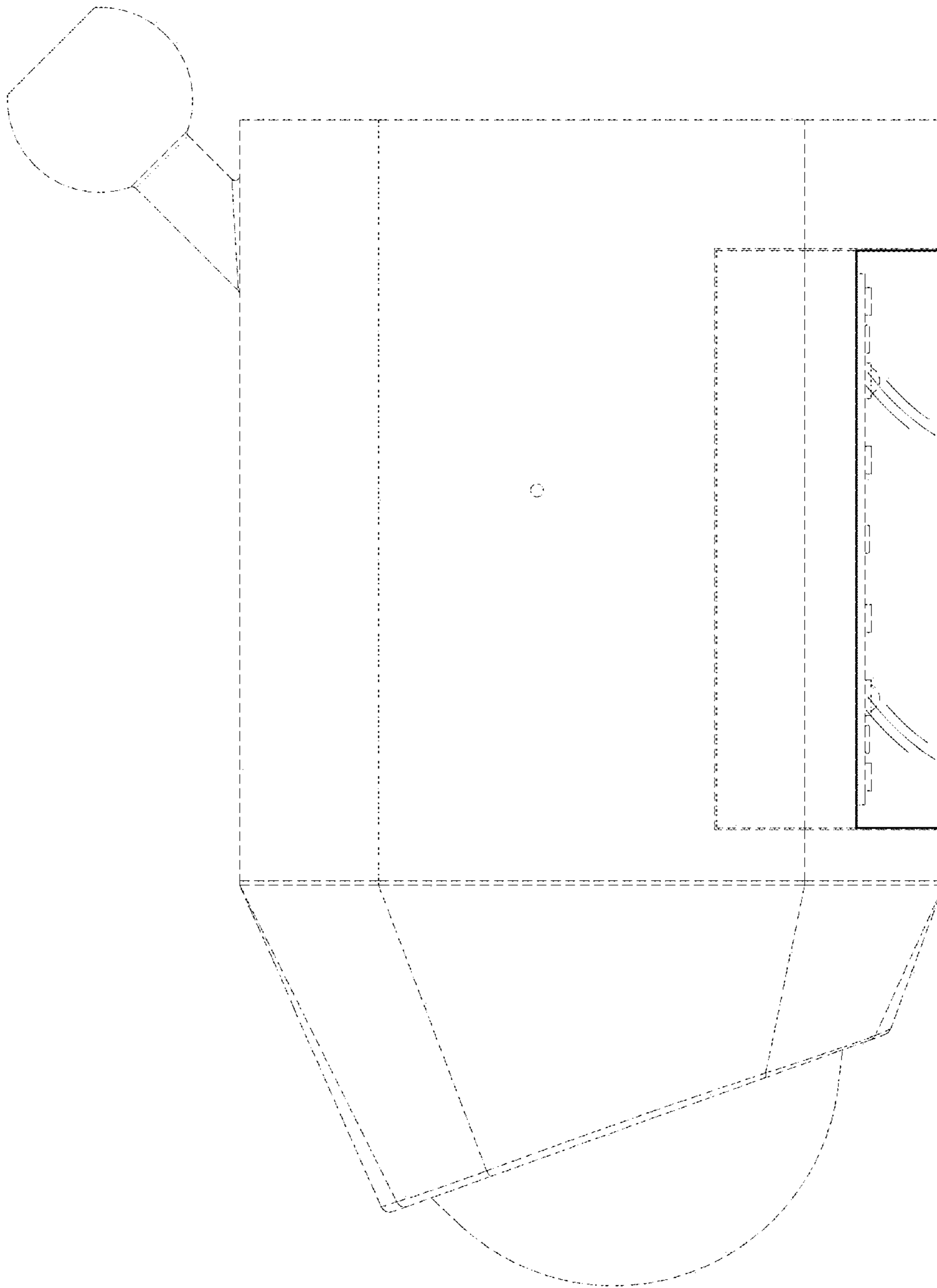


FIG. 5

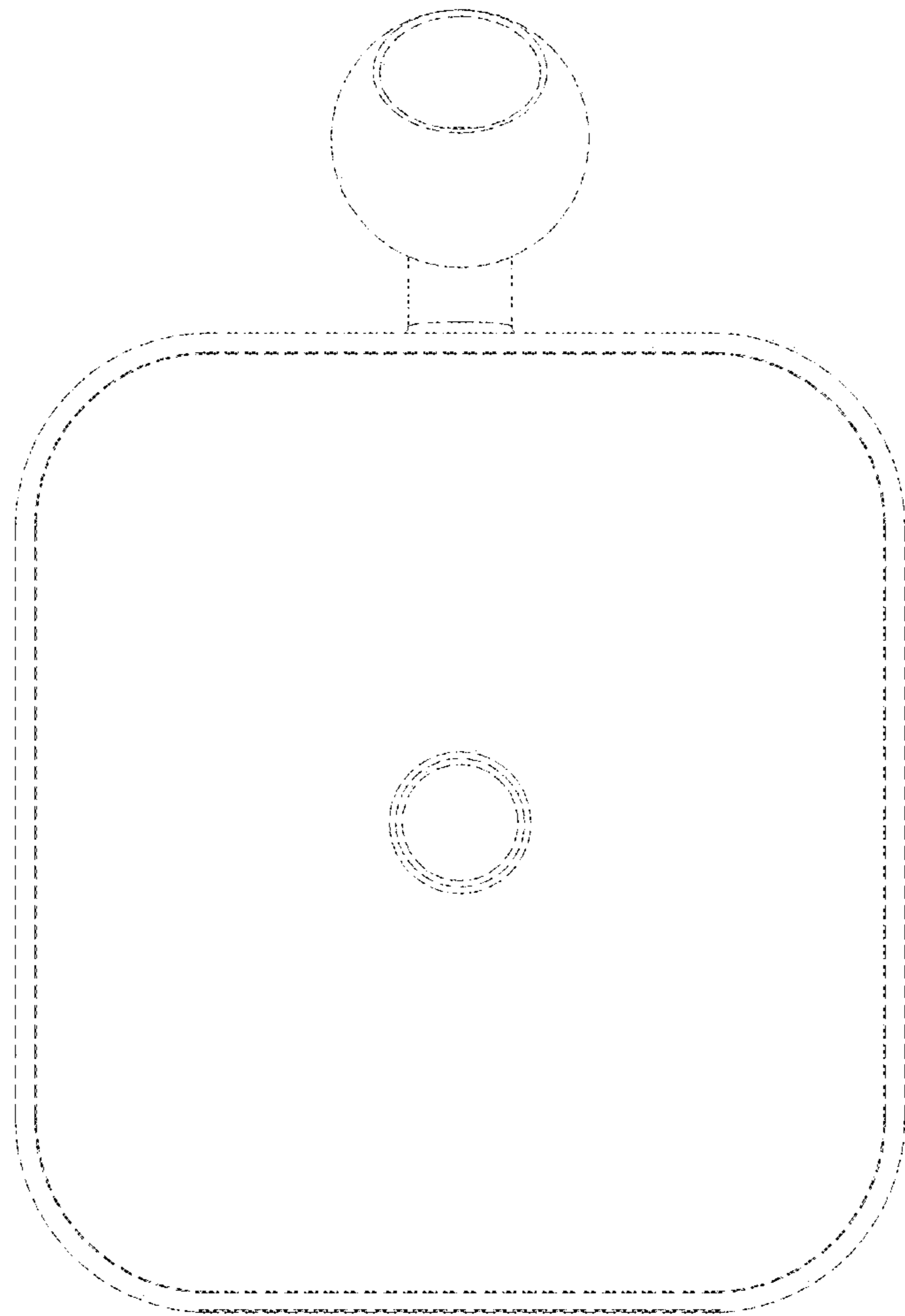


FIG. 6

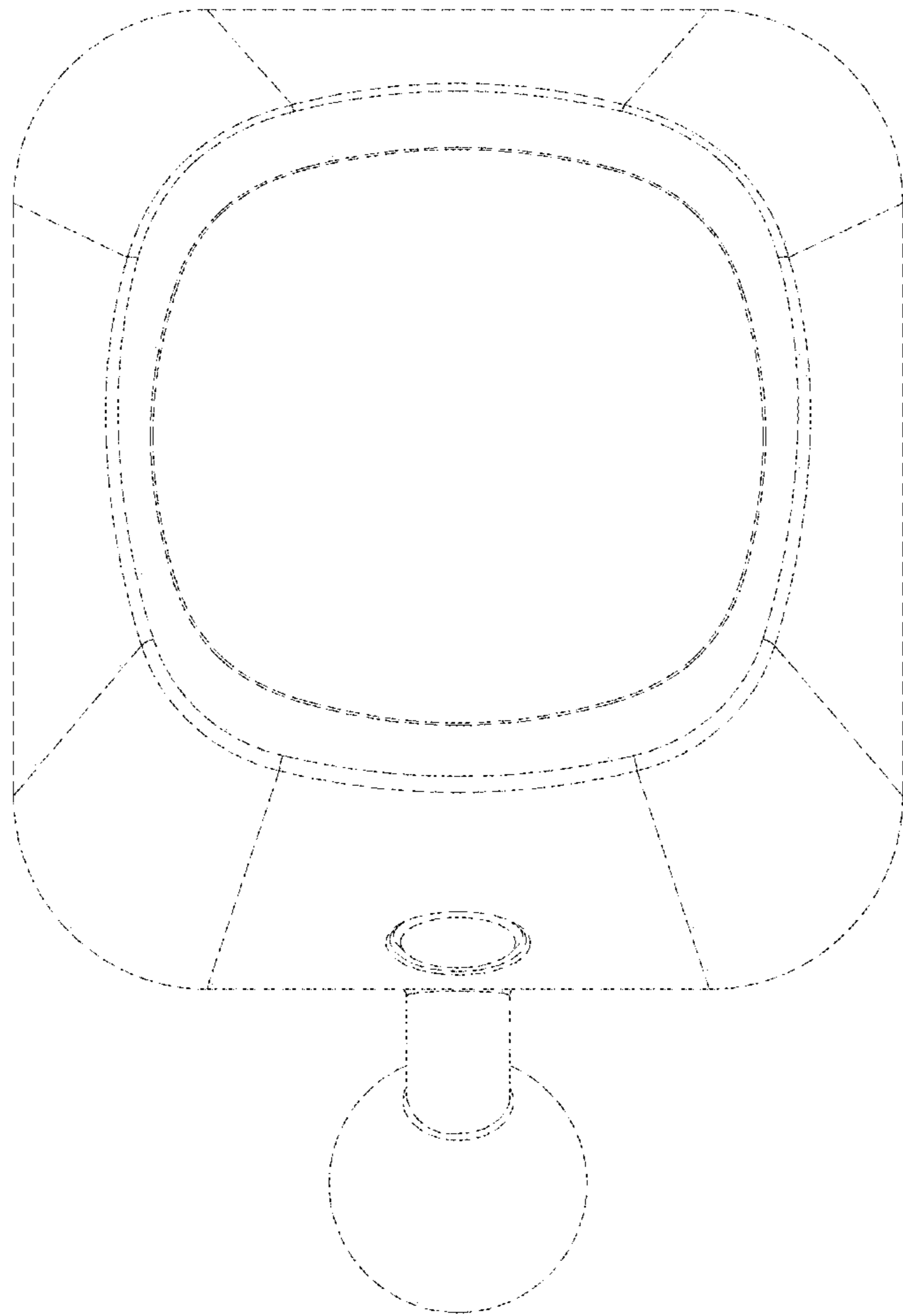


FIG. 7