



US00D874547S

(12) **United States Design Patent** (10) **Patent No.:** **US D874,547 S**
Yu (45) **Date of Patent:** **** Feb. 4, 2020**

(54) **HUNT CAMERA** D820,338 S * 6/2018 Wu D16/203
D838,306 S * 1/2019 Yu D16/218
(71) Applicant: **Shenzhen Longzhiyuan Technology** D838,763 S * 1/2019 Yu D16/218
Co., Ltd., Shenzhen (CN) 2007/0019941 A1 * 1/2007 Cross F16M 11/10
396/263
(72) Inventor: **Mengchu Yu, Shenzhen (CN)** 2008/0099655 A1 * 5/2008 Goodman F16M 11/14
248/674
(73) Assignee: **SHENZHEN LONGZHIYUAN** 2014/0168430 A1 * 6/2014 Unger H04N 7/183
TECHNOLOGY CO., LTD., Shenzhen 348/143
(CN) 2015/0077551 A1 * 3/2015 Simeroth H04N 1/00214
348/143

(**) Term: **15 Years**

* cited by examiner

(21) Appl. No.: **29/657,155**

Primary Examiner — Sandra S Snapp

(22) Filed: **Jul. 19, 2018**

Assistant Examiner — Ieisha N Price

(51) **LOC (12) Cl.** **16-05**

(74) *Attorney, Agent, or Firm* — Dragon Sun Law Firm,
PC; Jinggao Li, Esq

(52) **U.S. Cl.**
USPC **D16/218**

(57) **CLAIM**

(58) **Field of Classification Search**
USPC D16/200, 202, 203, 204, 205, 206, 218,
D16/219, 242
CPC H04N 5/2251; H04N 5/2252; H04N 7/181;
H04N 7/183; H04N 7/18; H04N 7/00;
H04N 5/247; H04N 5/232; H04N 5/225;
H04N 5/222; H04N 5/00; H04N 1/00;
G03B 19/02; G03B 17/00; G03B 17/02;
G03B 17/561; G08B 13/1963; G08B
13/19619; G08B 13/19632; G08B
13/19602; G08B 13/19634; A01M 31/00;
A01M 31/002

The ornamental design for a hunt camera, as shown and described.

See application file for complete search history.

DESCRIPTION

(56) **References Cited**

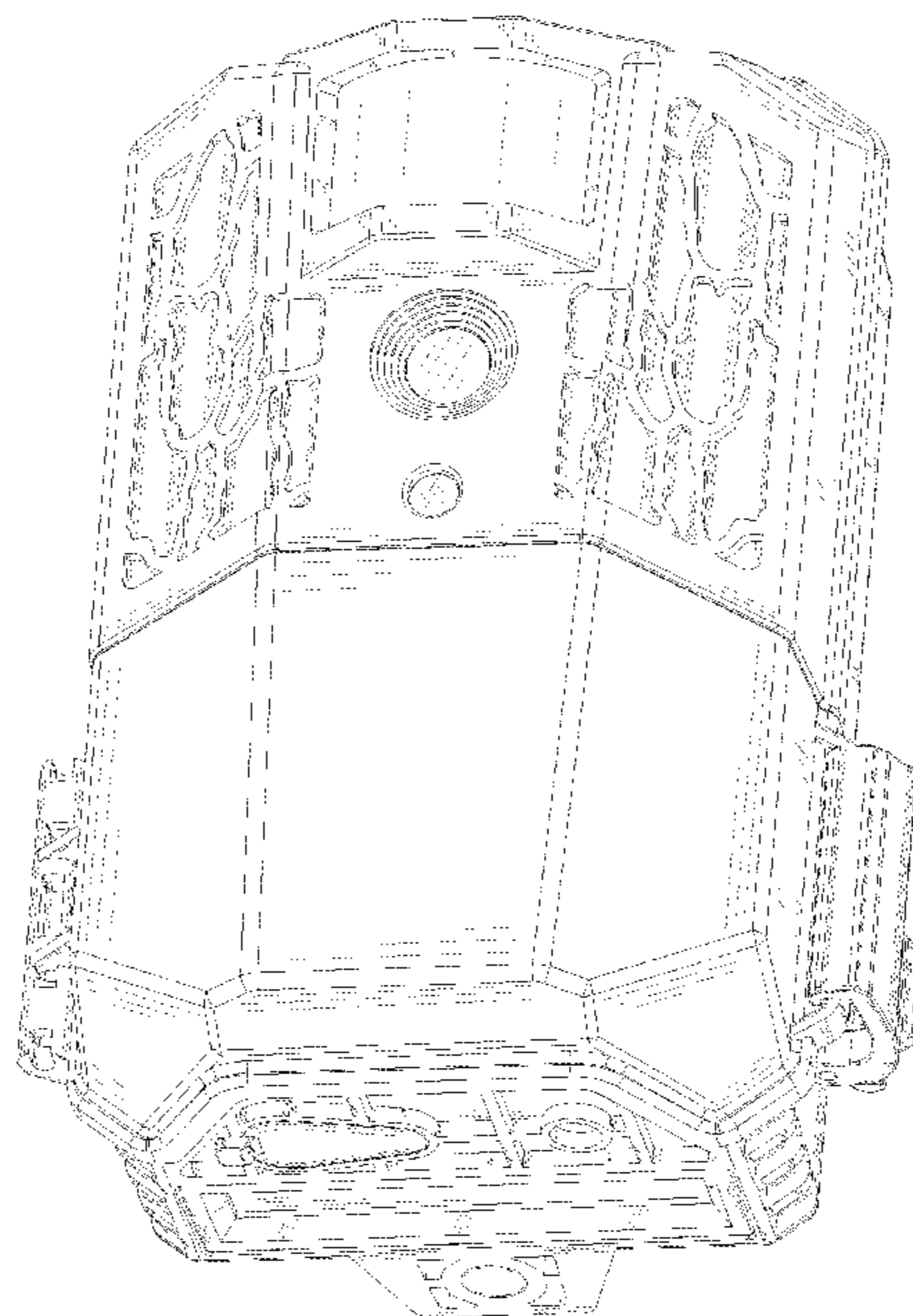
FIG. 1 is a front perspective view of a hunt camera showing my new design;
FIG. 2 is a perspective view of the hunt camera shown in its open status view thereof.
FIG. 3 is a front elevational view thereof;
FIG. 4 is a rear elevational view thereof;
FIG. 5 is a left side elevational view thereof;
FIG. 6 is a right side view hereof;
FIG. 7 is top plan view thereof; and,
FIG. 8 is bottom plan view thereof.

U.S. PATENT DOCUMENTS

The broken lines in the drawings illustrate portions of the hunt camera and form no part of the claimed design.

D622,749 S * 8/2010 Lian D16/203
9,075,292 B1 * 7/2015 Brown G03B 17/56

1 Claim, 8 Drawing Sheets



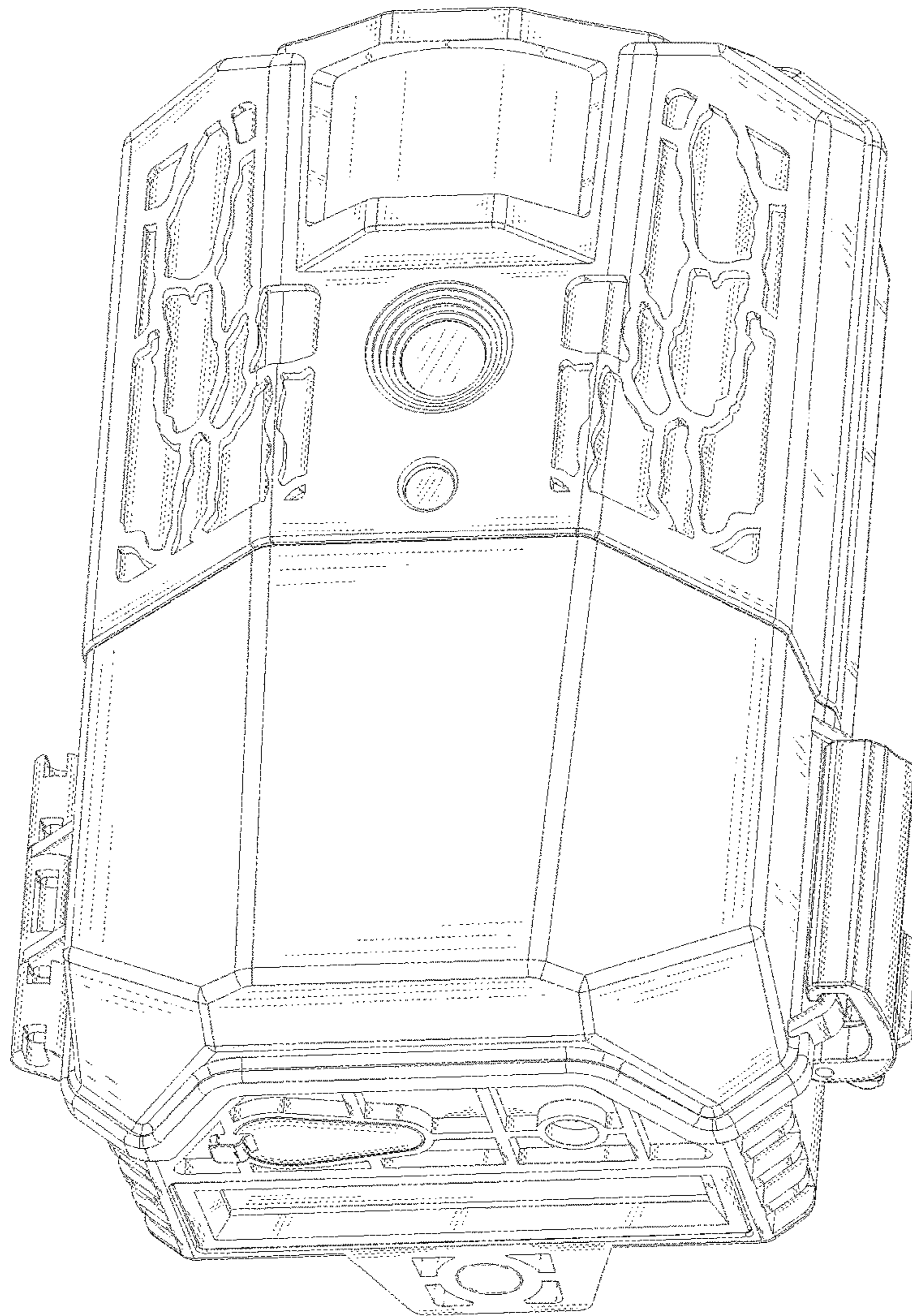


FIG. 1

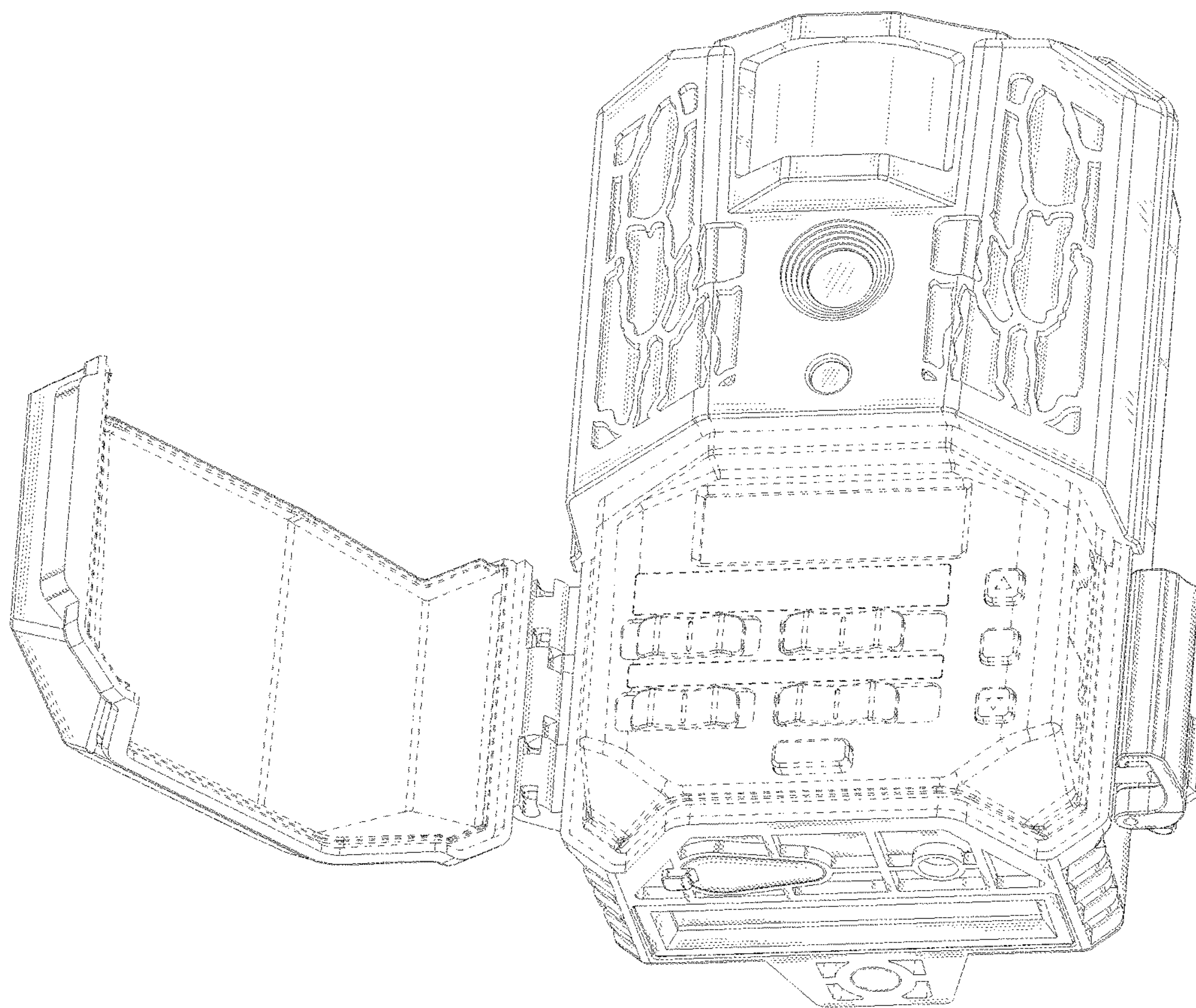


FIG. 2

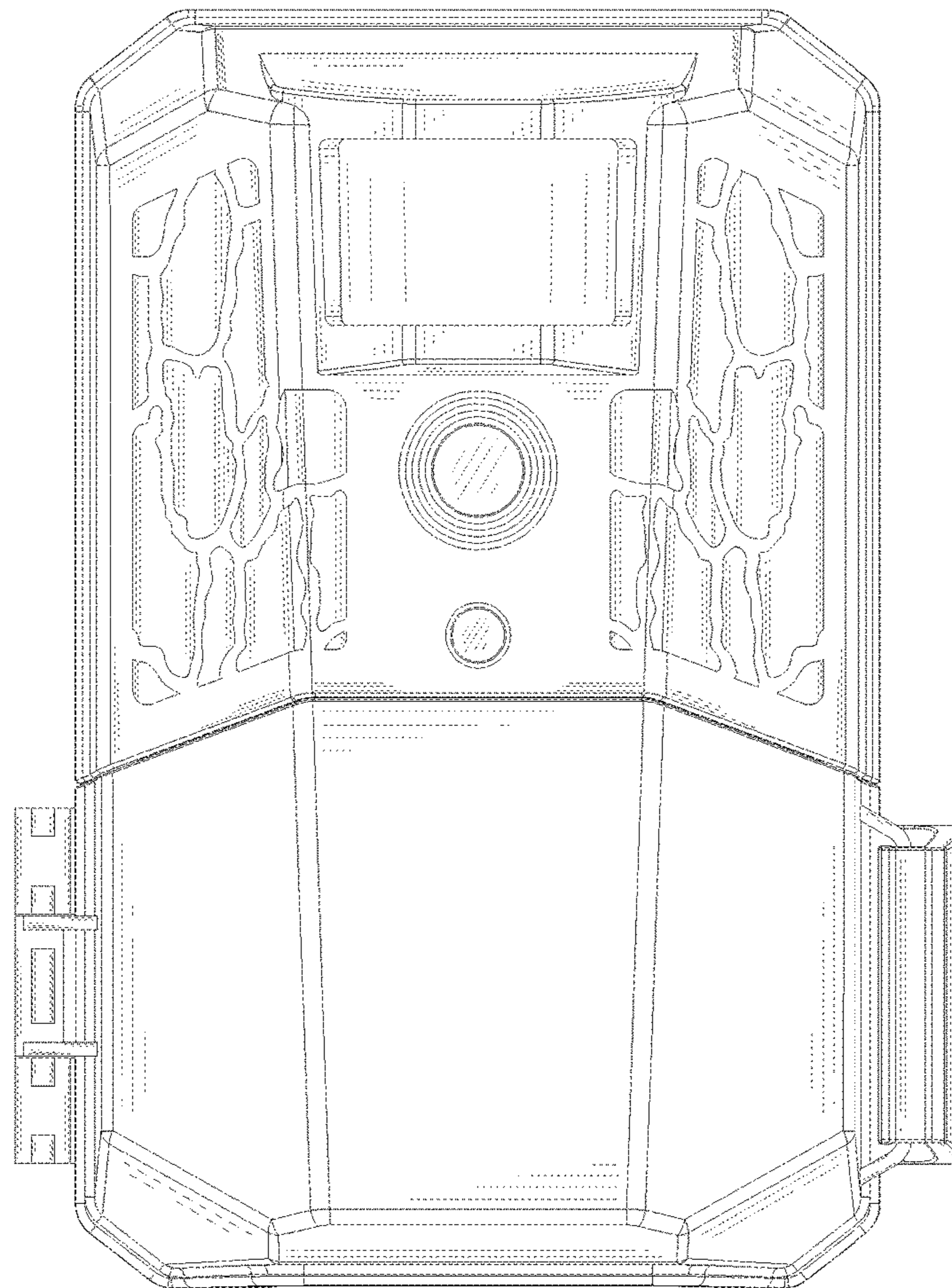


FIG. 3

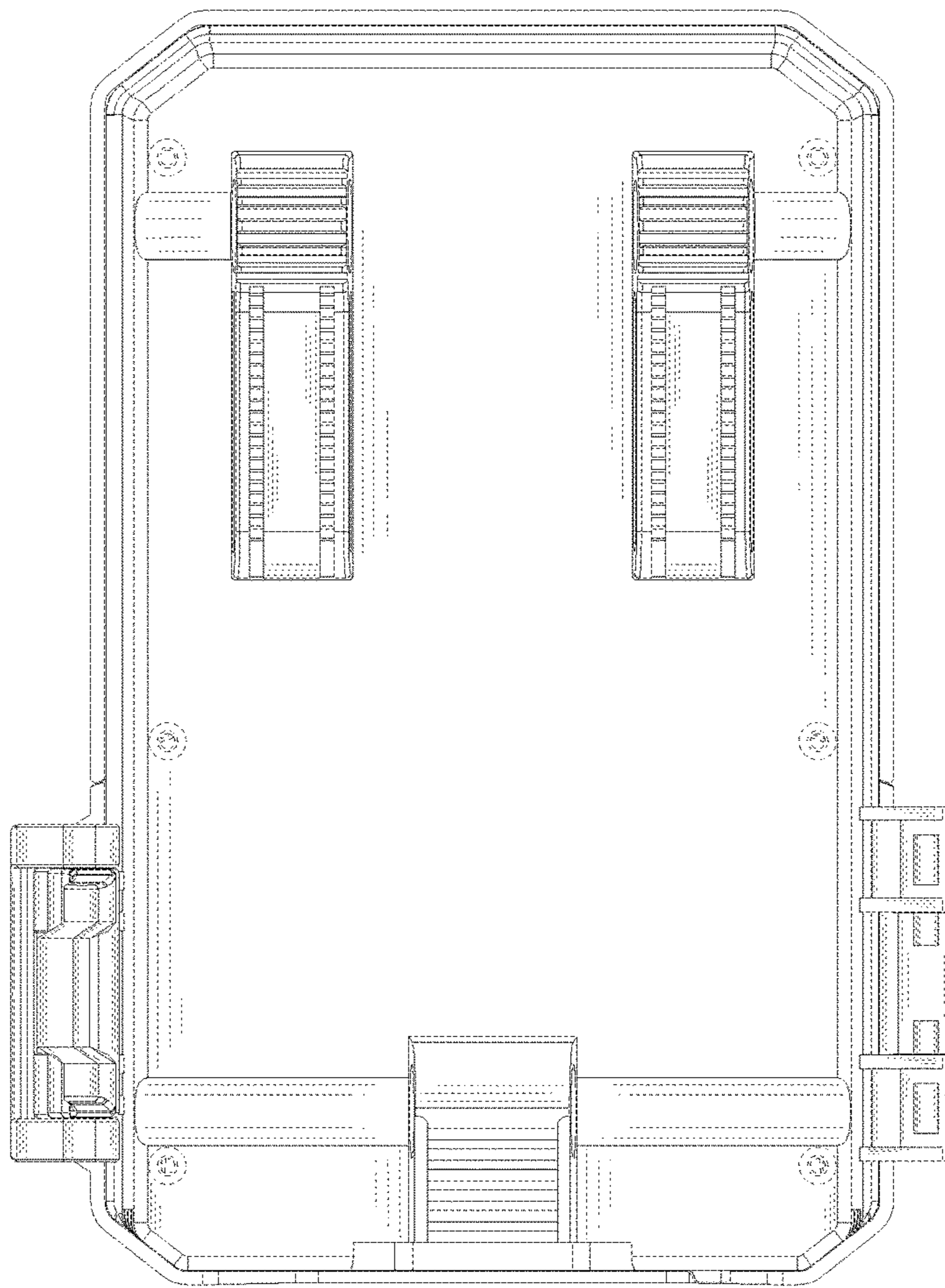


FIG. 4

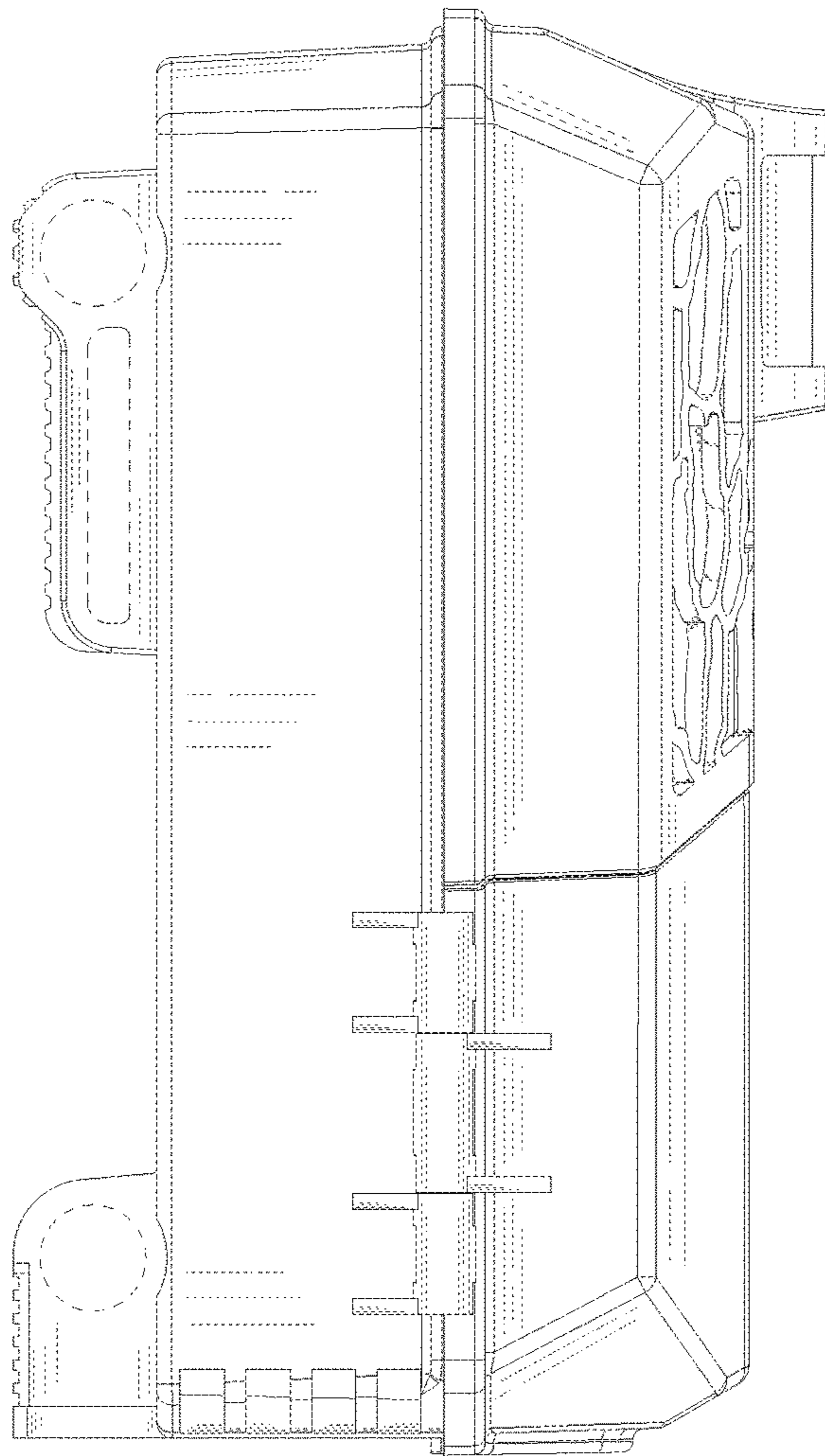


FIG. 5

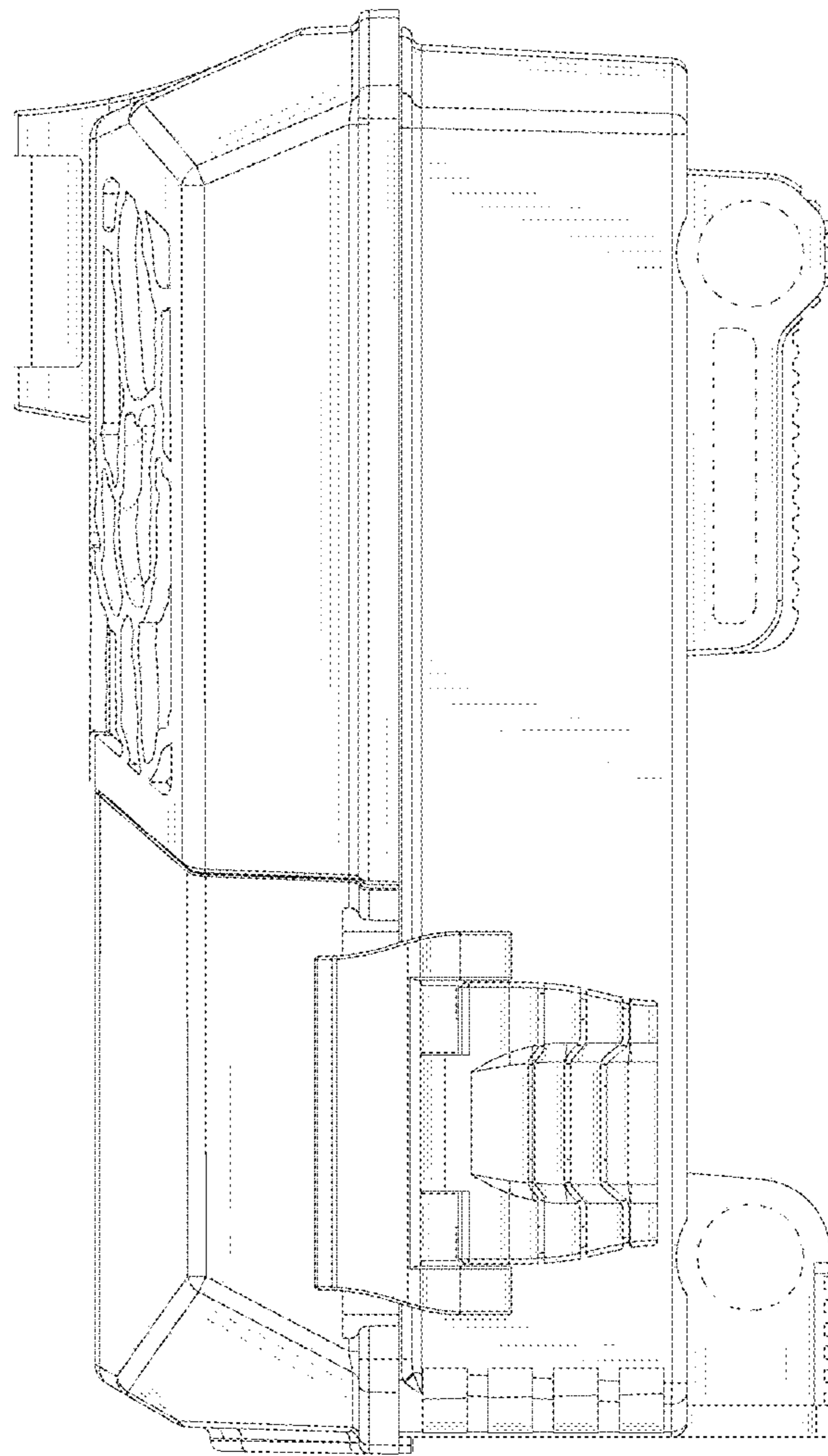


FIG. 6

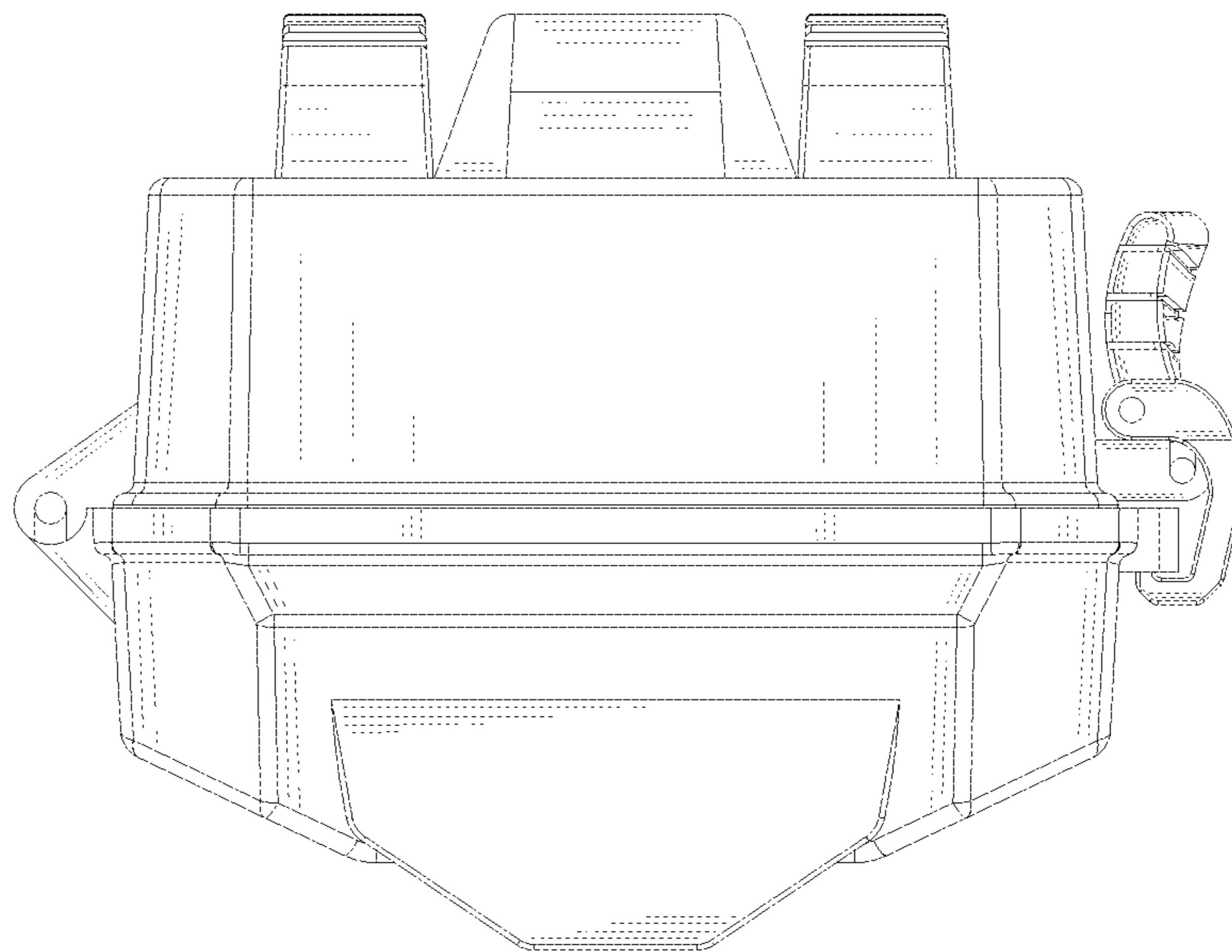


FIG. 7

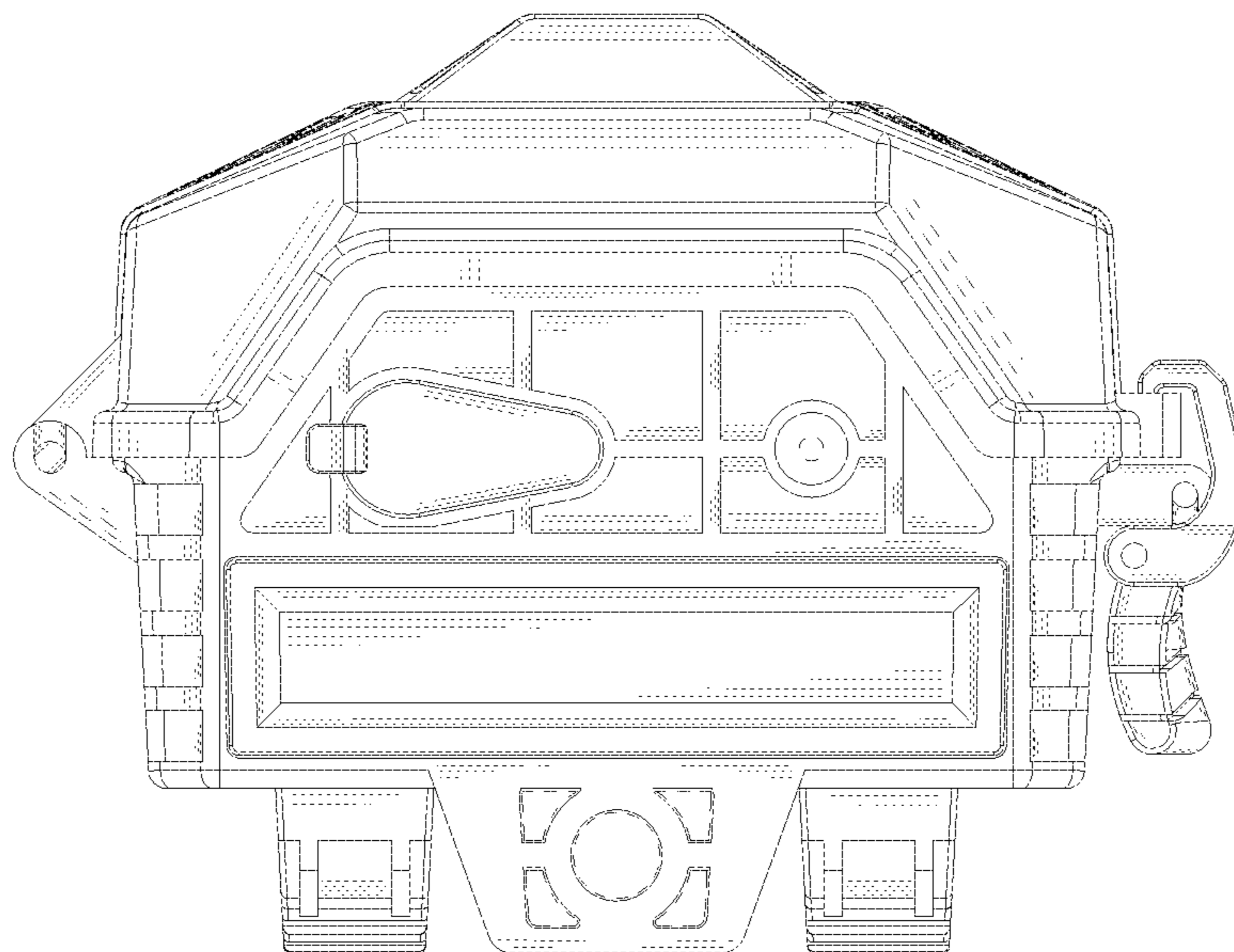


FIG. 8