



US00D874546S

(12) **United States Design Patent** (10) **Patent No.:** **US D874,546 S**
Yu (45) **Date of Patent:** **** Feb. 4, 2020**

(54) **HUNT CAMERA**
(71) Applicant: **Shenzhen Longzhiyuan Technology Co., Ltd.**, Shenzhen (CN)
(72) Inventor: **Mengchu Yu**, Shenzhen (CN)
(73) Assignee: **SHENZHEN LONGZHIYUAN TECHNOLOGY CO., LTD.**, Shenzhen (CN)

D638,047 S * 5/2011 Lian D16/203
D673,990 S * 1/2013 Schnell D16/218
D820,338 S * 6/2018 Wu D16/203
D828,432 S * 9/2018 Luo D16/237
D838,306 S * 1/2019 Yu D16/218
D838,763 S * 1/2019 Yu D16/218
2010/0215355 A1* 8/2010 Olien F16M 11/041
396/428
2015/0077551 A1* 3/2015 Simeroth H04N 1/00214
348/143
2018/0041736 A1* 2/2018 Gagnon H02J 7/35

(**) Term: **15 Years**
(21) Appl. No.: **29/657,144**
(22) Filed: **Jul. 19, 2018**

* cited by examiner
Primary Examiner — Sandra S Snapp
Assistant Examiner — Ieisha N Price
(74) *Attorney, Agent, or Firm* — Dragon Sun Law Firm, PC; Jinggao Li, Esq.

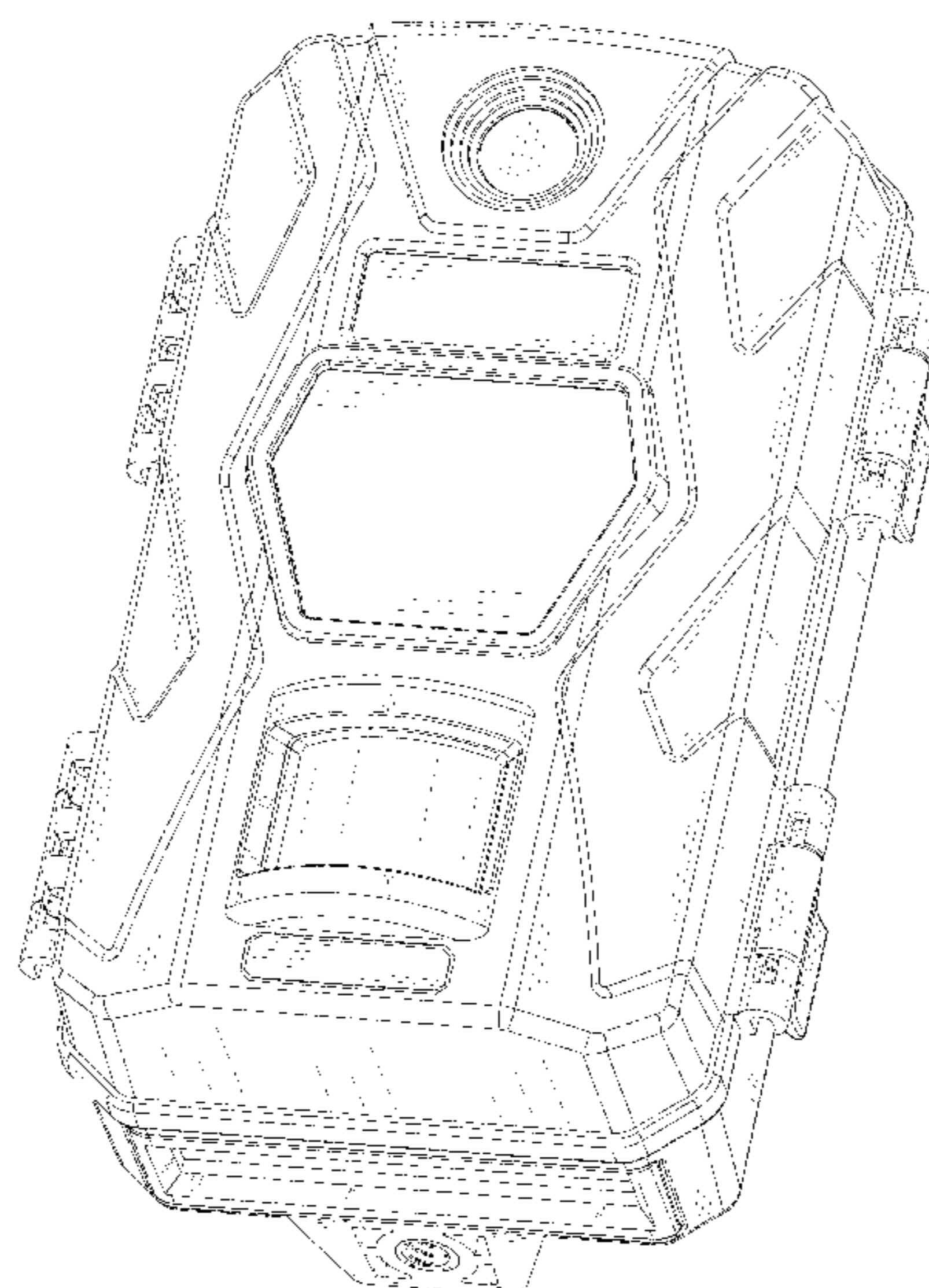
(30) **Foreign Application Priority Data**
Feb. 6, 2018 (CN) 2018 3 0056252
(51) **LOC (12) Cl.** **16-05**
(52) **U.S. Cl.**
USPC **D16/218**
(58) **Field of Classification Search**
USPC D16/200, 202, 203, 204, 205, 206, 218,
D16/219, 242
CPC H04N 5/2251; H04N 5/2252; H04N 7/181;
H04N 7/183; H04N 7/18; H04N 7/00;
H04N 5/247; H04N 5/232; H04N 5/225;
H04N 5/222; H04N 5/00; H04N 1/00;
G03B 19/02; G03B 17/00; G03B 17/02;
G03B 17/561; G08B 13/1963; G08B
13/19619; G08B 13/19632; G08B
13/19602; G08B 13/19634; A01M 31/00;
A01M 31/002
See application file for complete search history.

(56) **References Cited**
U.S. PATENT DOCUMENTS
D616,009 S * 5/2010 Schnell D16/218
D630,236 S * 1/2011 Lian D16/203

(57) **CLAIM**
The ornamental design for a hunt camera, as shown and described.

DESCRIPTION
FIG. 1 is a front perspective view of a hunt camera showing my new design;
FIG. 2 is a rear perspective view thereof;
FIG. 3 is a front elevational view thereof;
FIG. 4 is a rear elevational view thereof;
FIG. 5 is a left side elevational view thereof;
FIG. 6 is a right side elevational view thereof;
FIG. 7 is a top plan view thereof; and,
FIG. 8 is a bottom plan view thereof.
The broken lines in the drawings illustrate portions of the hunt camera and form no part of the claimed design.

1 Claim, 8 Drawing Sheets



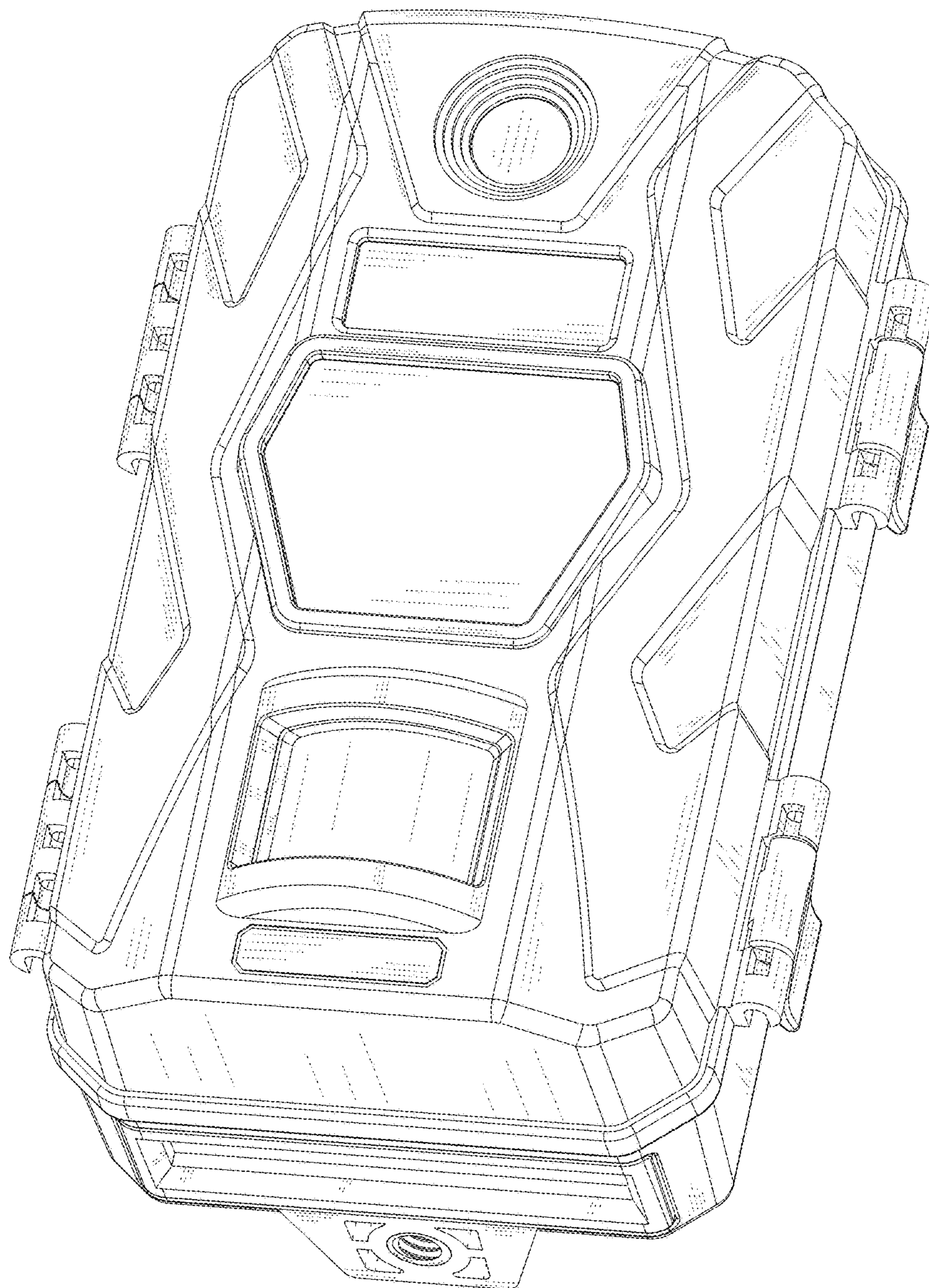


FIG. 1

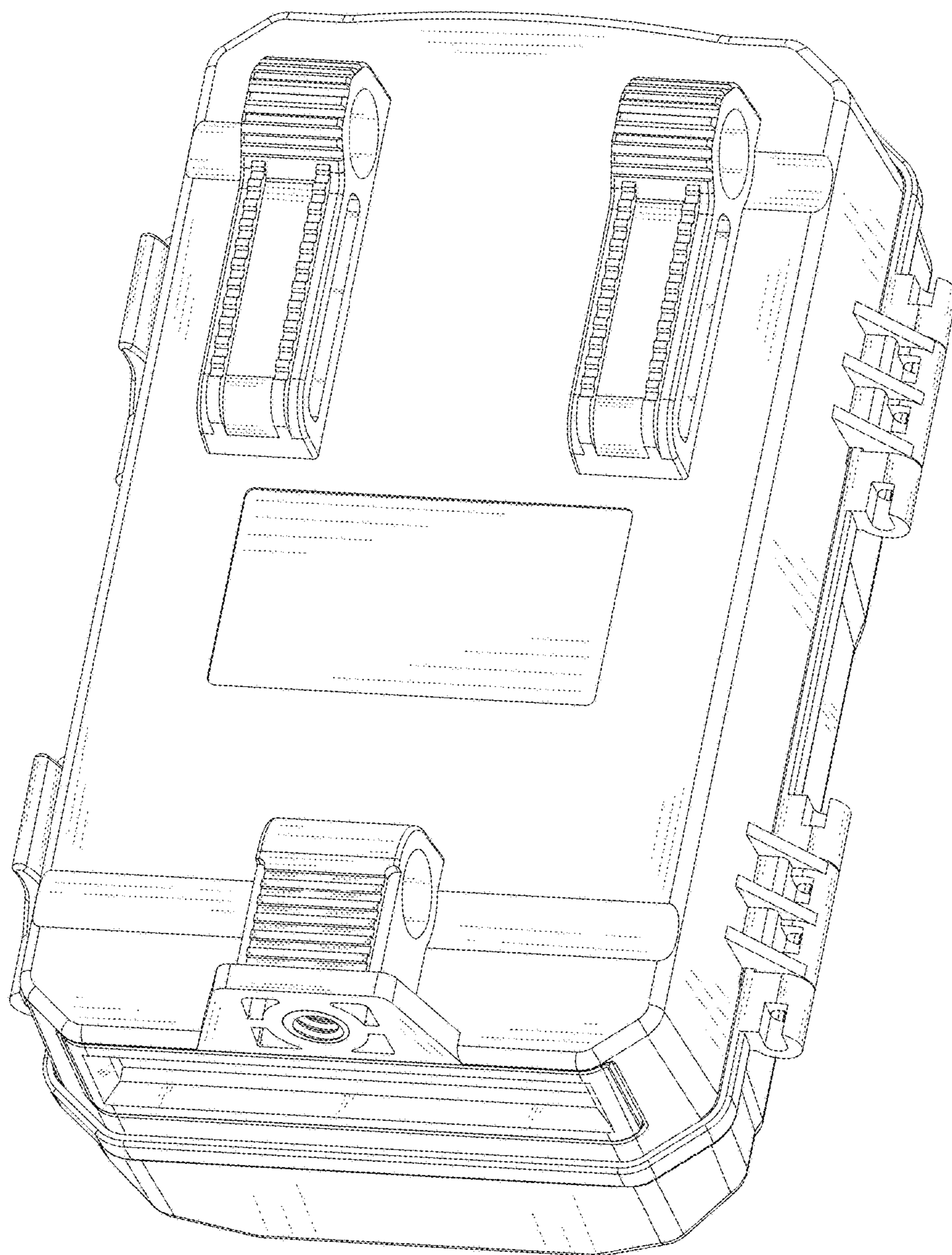


FIG. 2

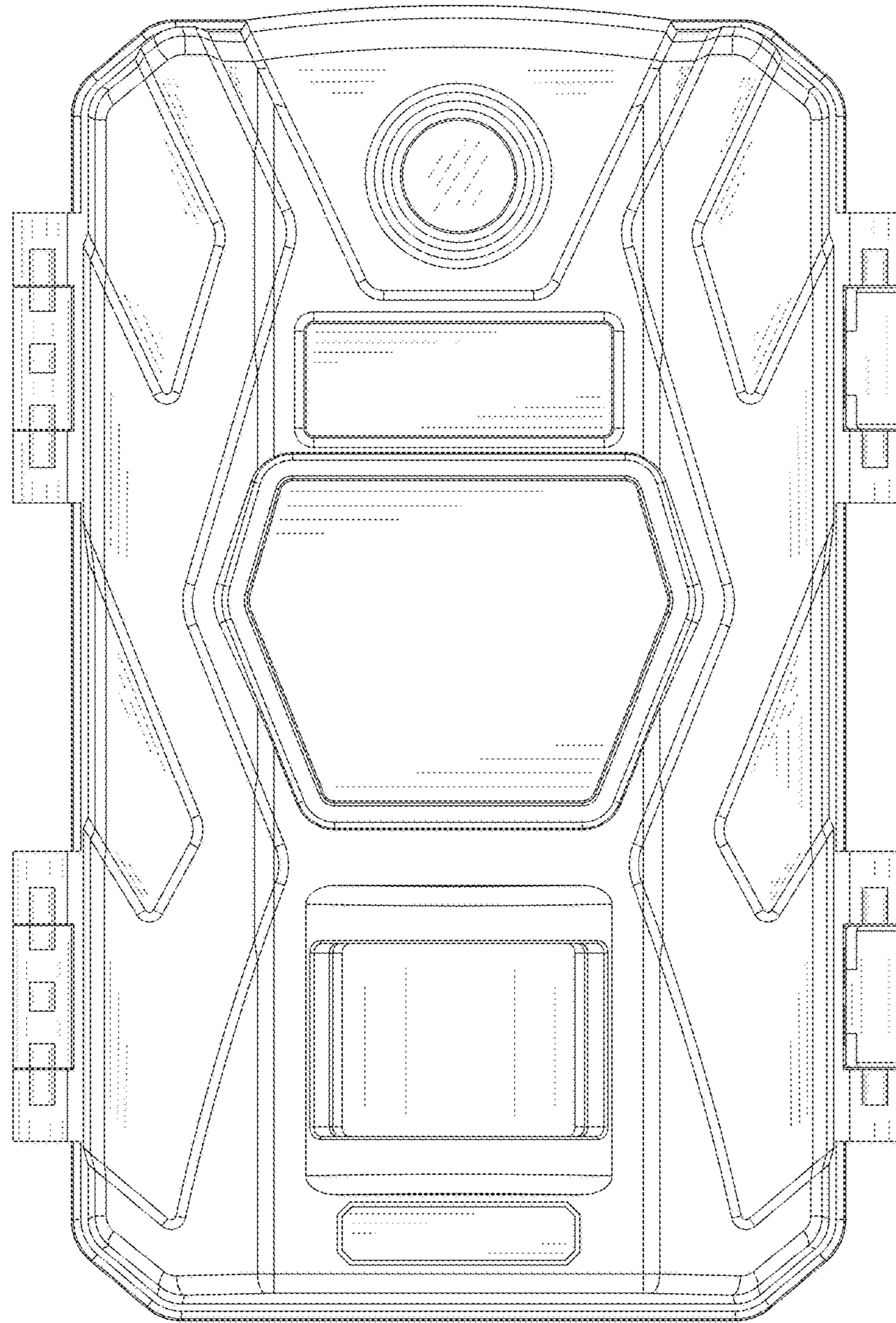


FIG. 3

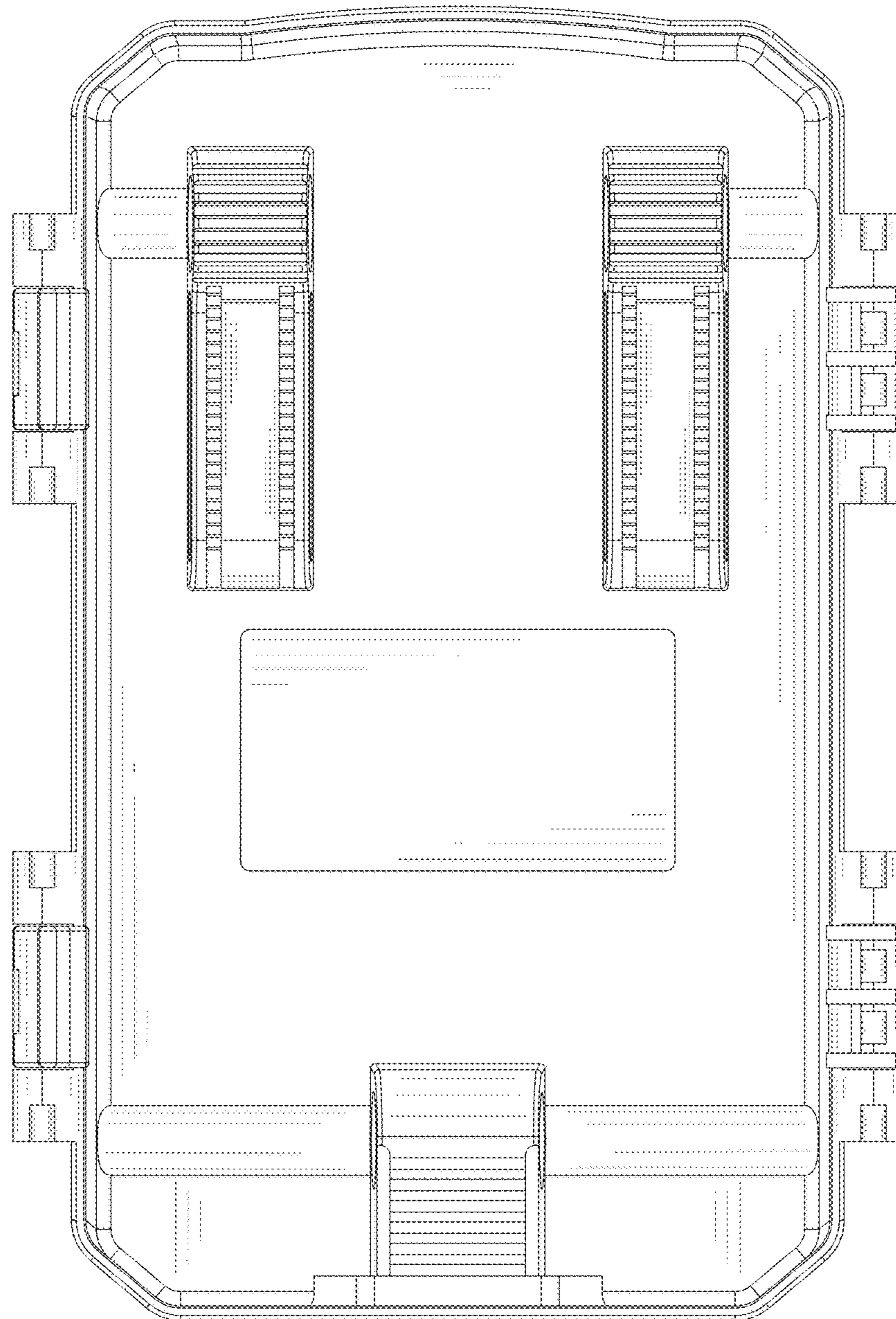


FIG. 4

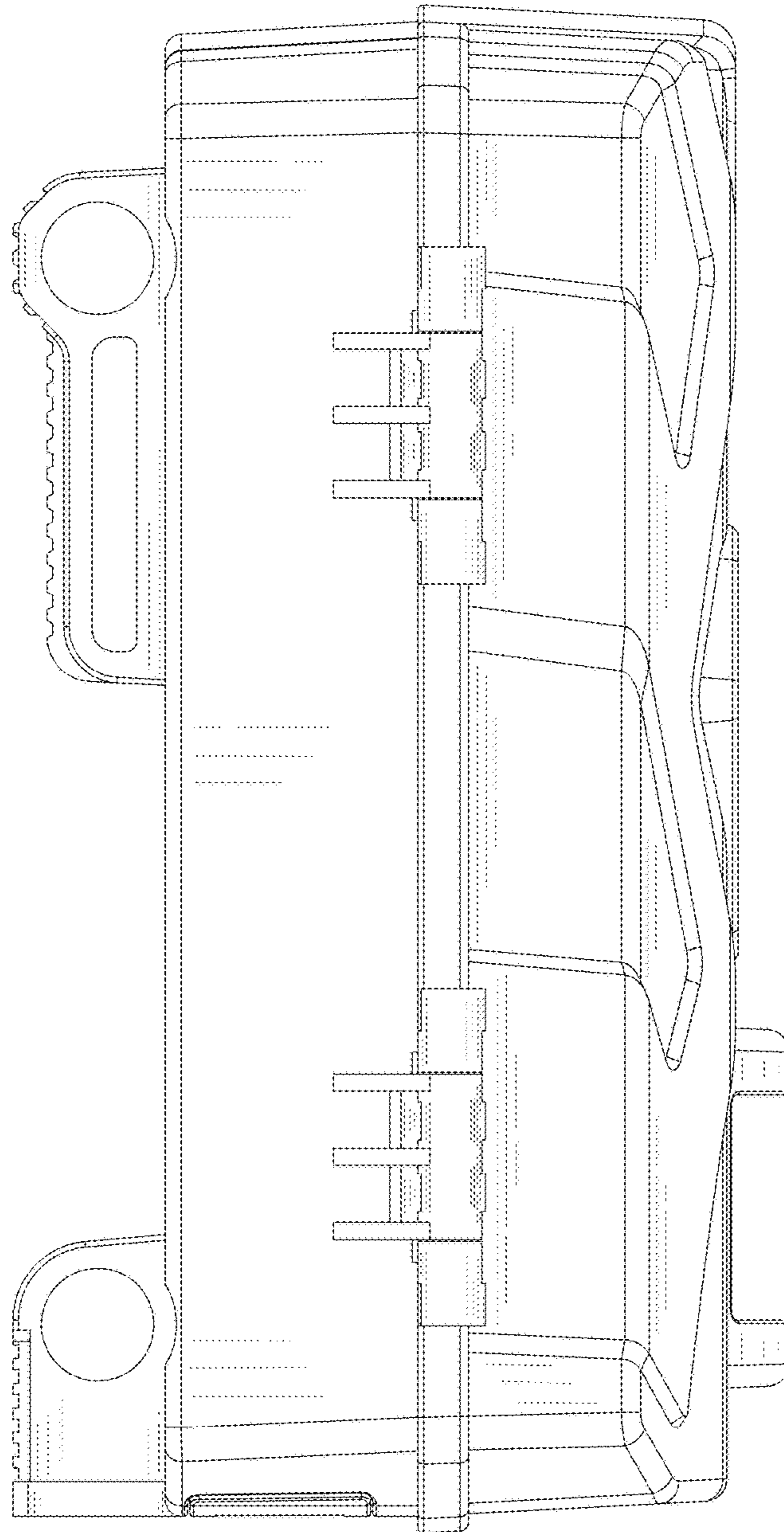


FIG. 5

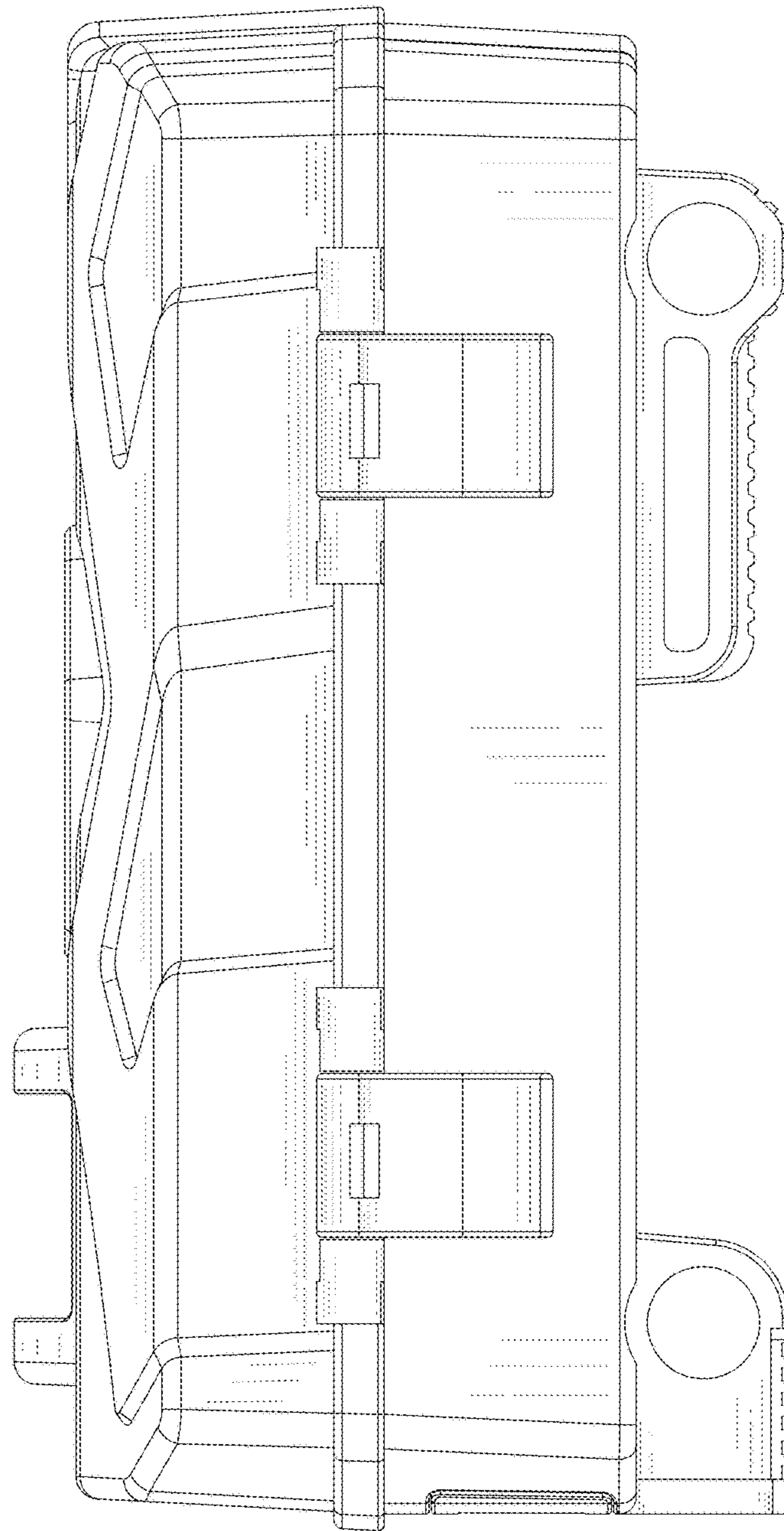


FIG. 6

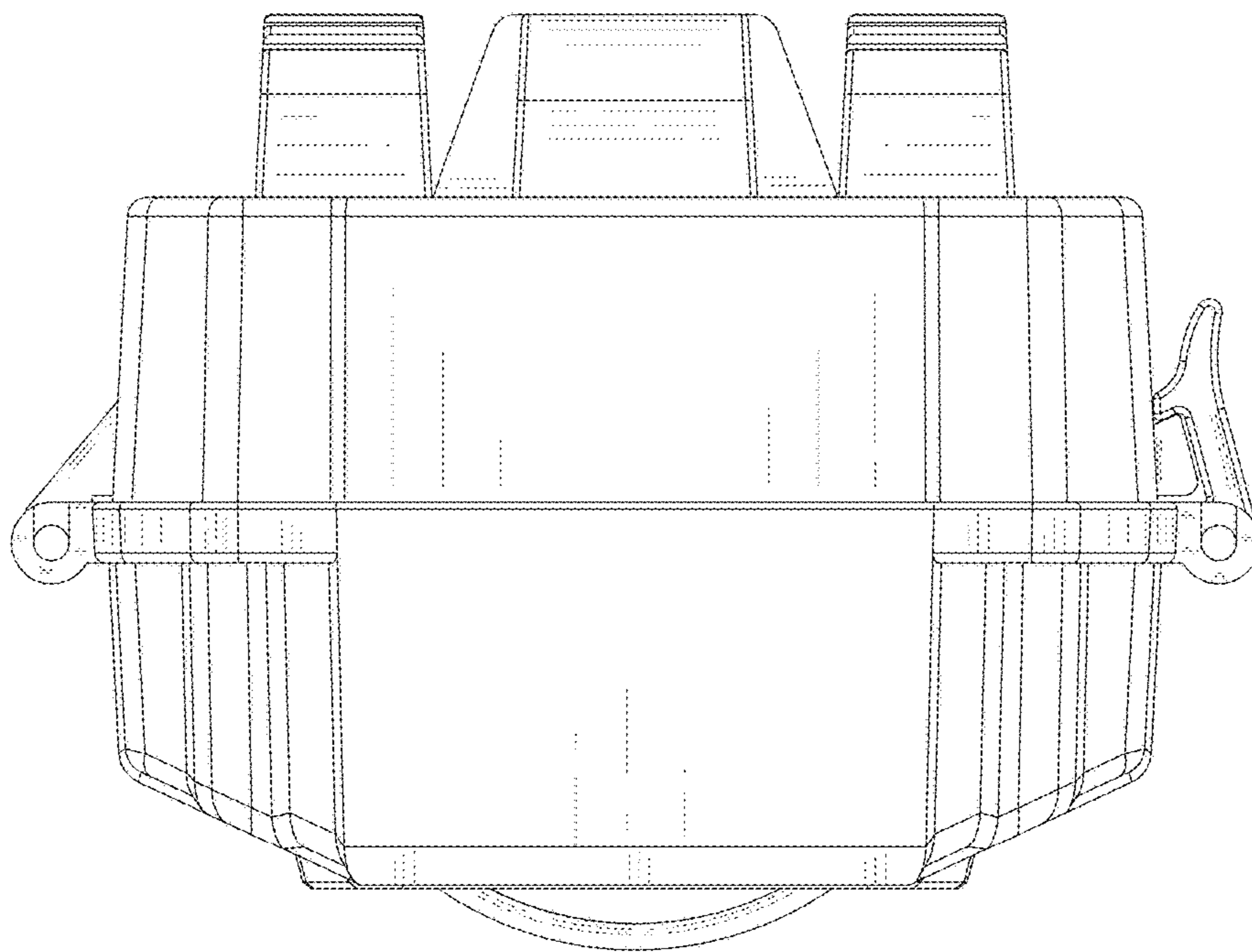


FIG. 7

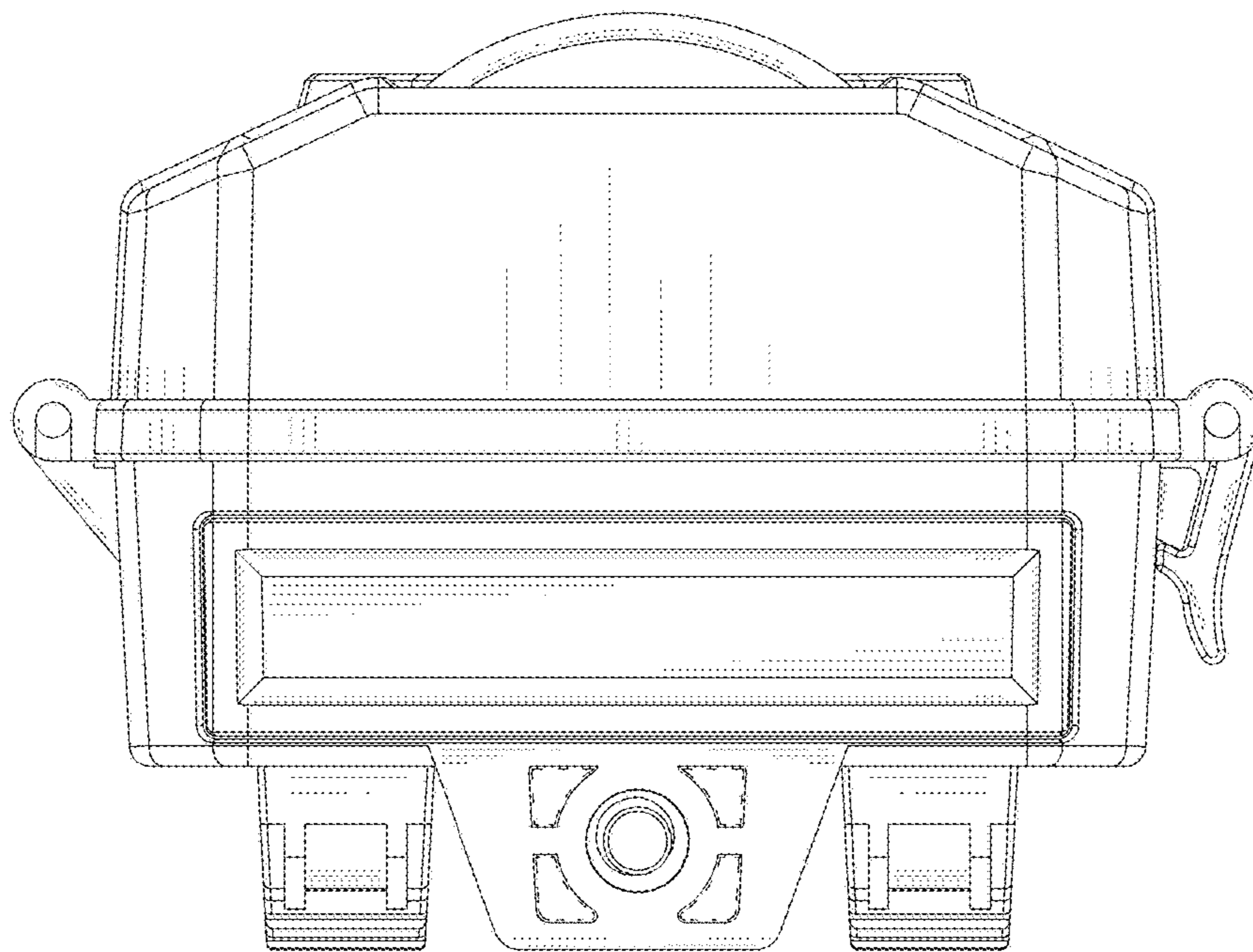


FIG. 8