



US00D874545S

(12) **United States Design Patent** (10) **Patent No.:** **US D874,545 S**
Wang (45) **Date of Patent:** **** Feb. 4, 2020**

(54) **TRAIL CAMERA**
(71) Applicant: **Shenzhen Zecre Technology Co., Ltd.,**
Guangdong (CN)
(72) Inventor: **WenZe Wang,** Guangdong (CN)
(**) Term: **15 Years**
(21) Appl. No.: **29/654,977**
(22) Filed: **Jun. 28, 2018**

(30) **Foreign Application Priority Data**
Jun. 15, 2018 (CN) 2018 3 0309027
(51) **LOC (12) Cl.** **16-05**
(52) **U.S. Cl.**
USPC **D16/218**
(58) **Field of Classification Search**
USPC D16/200, 202, 203, 204, 205, 206, 218,
D16/219, 242
CPC H04N 5/2251; H04N 5/2252; H04N 7/181;
H04N 7/183; H04N 7/18; H04N 7/00;
H04N 5/247; H04N 5/232; H04N 5/225;
H04N 5/222; H04N 5/00; H04N 1/00;
G03B 19/02; G03B 17/00; G03B 17/02;
G03B 17/561; G08B 13/1963; G08B
13/19619; G08B 13/19632; G08B
13/19602; G08B 13/19634; A01M 31/00;
A01M 31/002
See application file for complete search history.

(56) **References Cited**
U.S. PATENT DOCUMENTS
D616,479 S * 5/2010 Ganahl, Jr. D16/204
D655,735 S * 3/2012 Barley D16/203

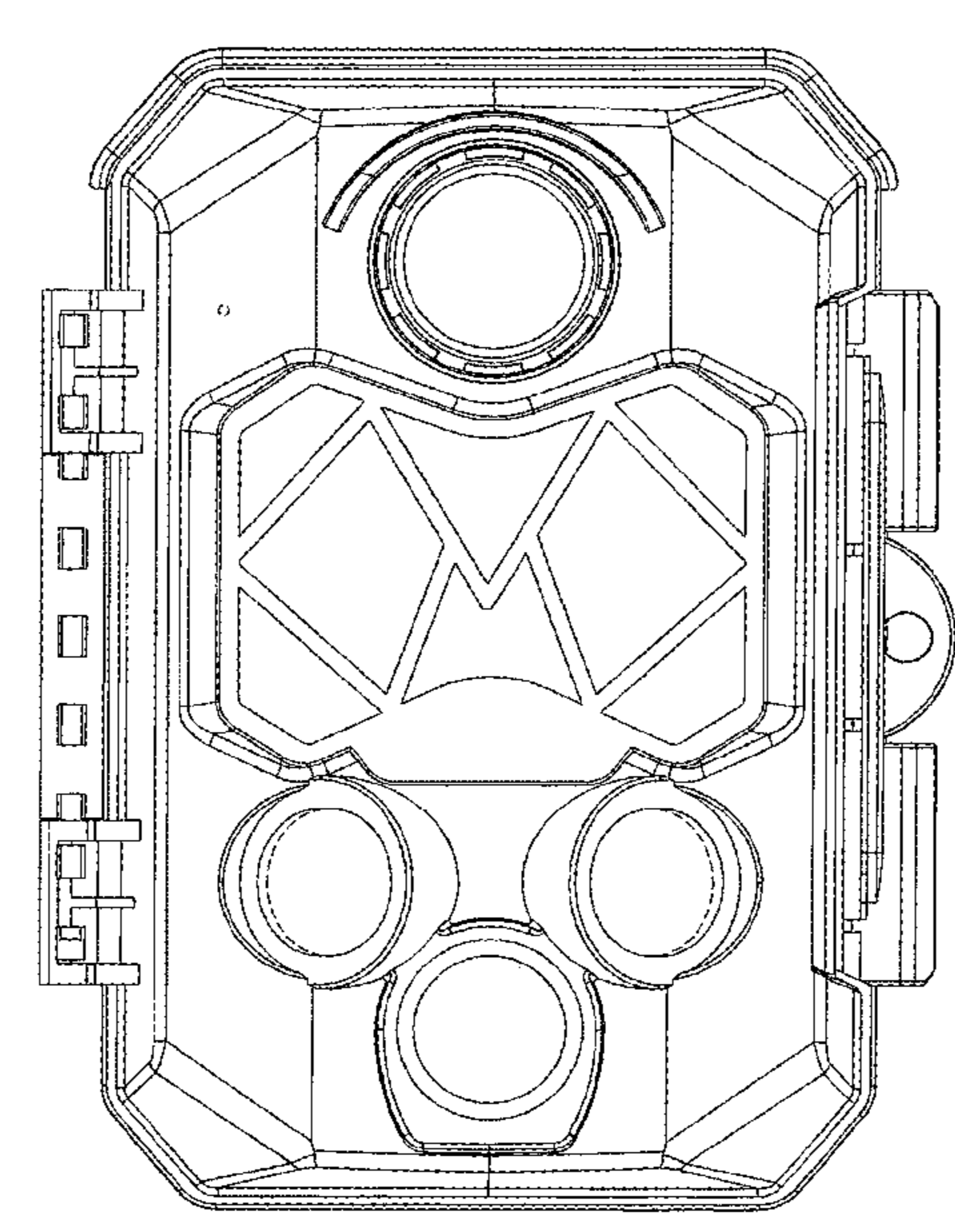
D657,412 S * 4/2012 Barley D16/203
D691,647 S * 10/2013 Ye D16/203
D816,144 S * 4/2018 Vigren D16/203
D828,427 S * 9/2018 Wu D16/203
D833,506 S * 11/2018 Chen D16/218
2012/0327242 A1* 12/2012 Barley H04N 5/232
348/155
2014/0098256 A1* 4/2014 Cuddeback G08B 13/19652
348/211.2
2016/0337560 A1* 11/2016 Wyalda, Jr. H04N 5/2252
* cited by examiner

Primary Examiner — Sandra S Snapp
Assistant Examiner — Ieisha N Price
(74) *Attorney, Agent, or Firm* — Prakash Nama; Global
IP Services, PLLC

(57) **CLAIM**
The ornamental design for a trail camera, as shown and
described.

DESCRIPTION
FIG. 1 is a front elevational view of a trail camera showing
my new design;
FIG. 2 is a rear elevational view thereof;
FIG. 3 is a left side view thereof;
FIG. 4 is a right side view thereof;
FIG. 5 is a top plan view thereof;
FIG. 6 is a bottom plan view in enlarge scale thereof;
FIG. 7 is a front, right, top perspective view thereof; and,
FIG. 8 is rear perspective view thereof.
The broken lines in the drawings illustrate portions of the
trail camera and form no part of the claimed design.

1 Claim, 8 Drawing Sheets



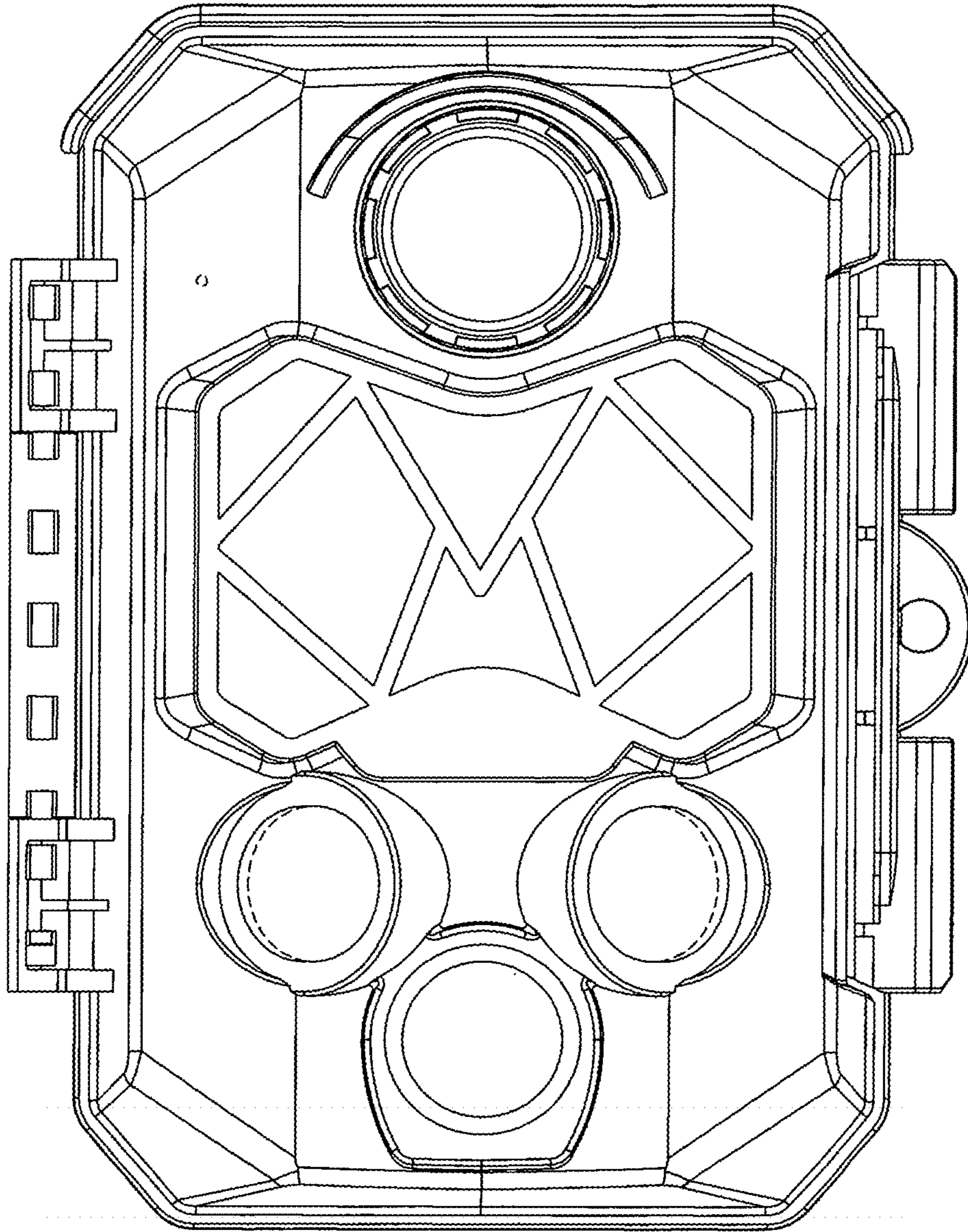


Fig. 1

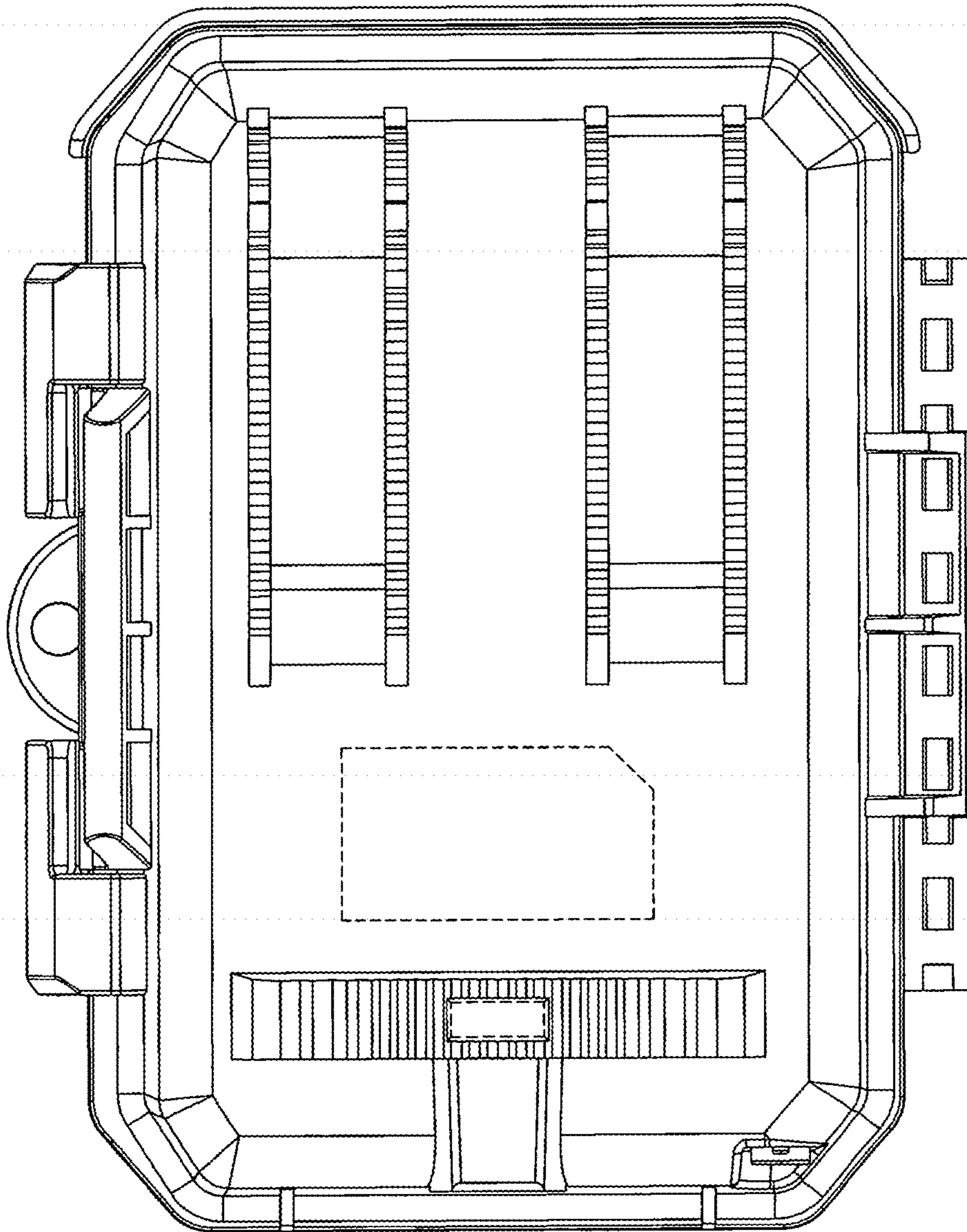


Fig. 2

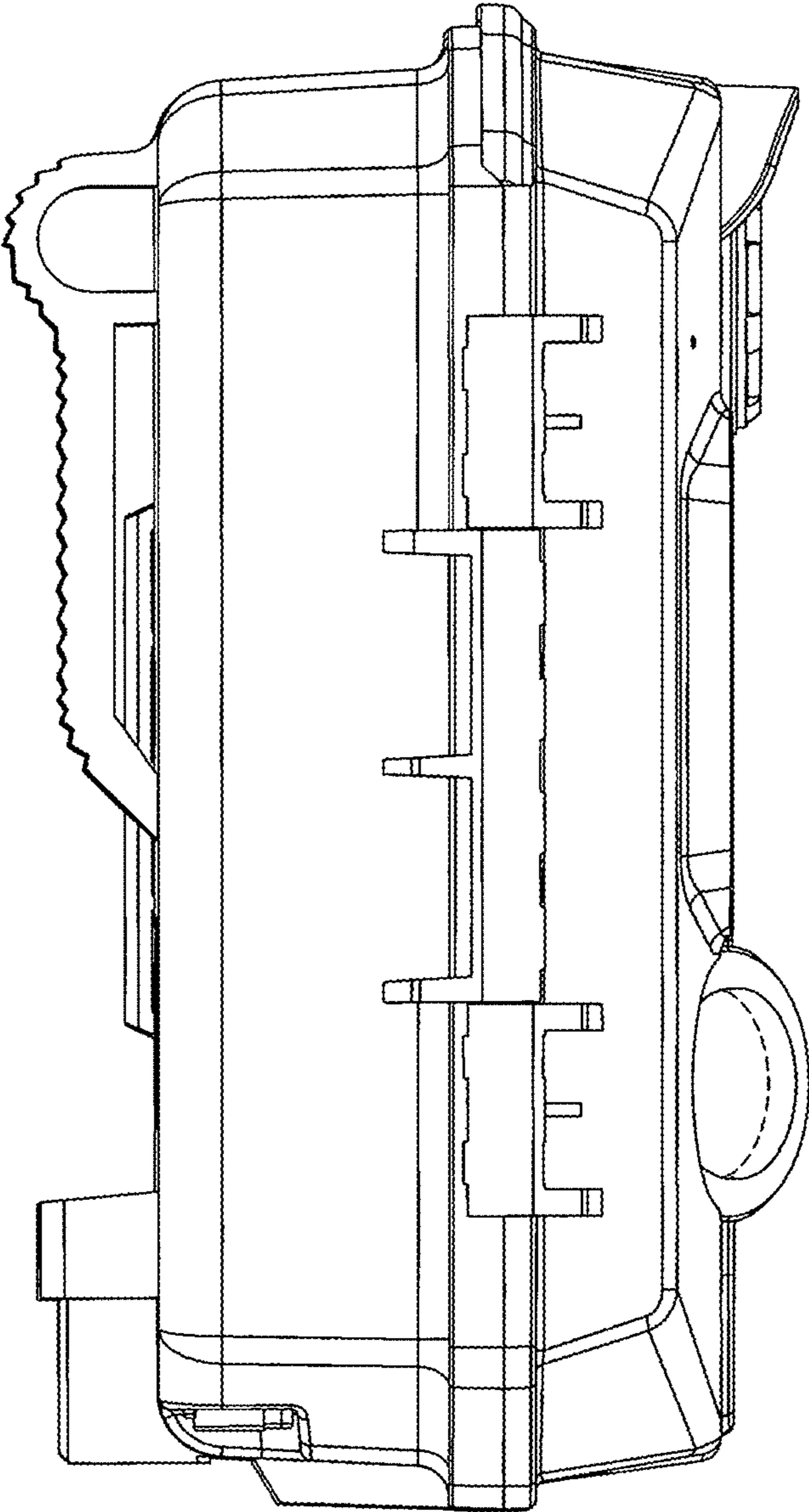


Fig. 3

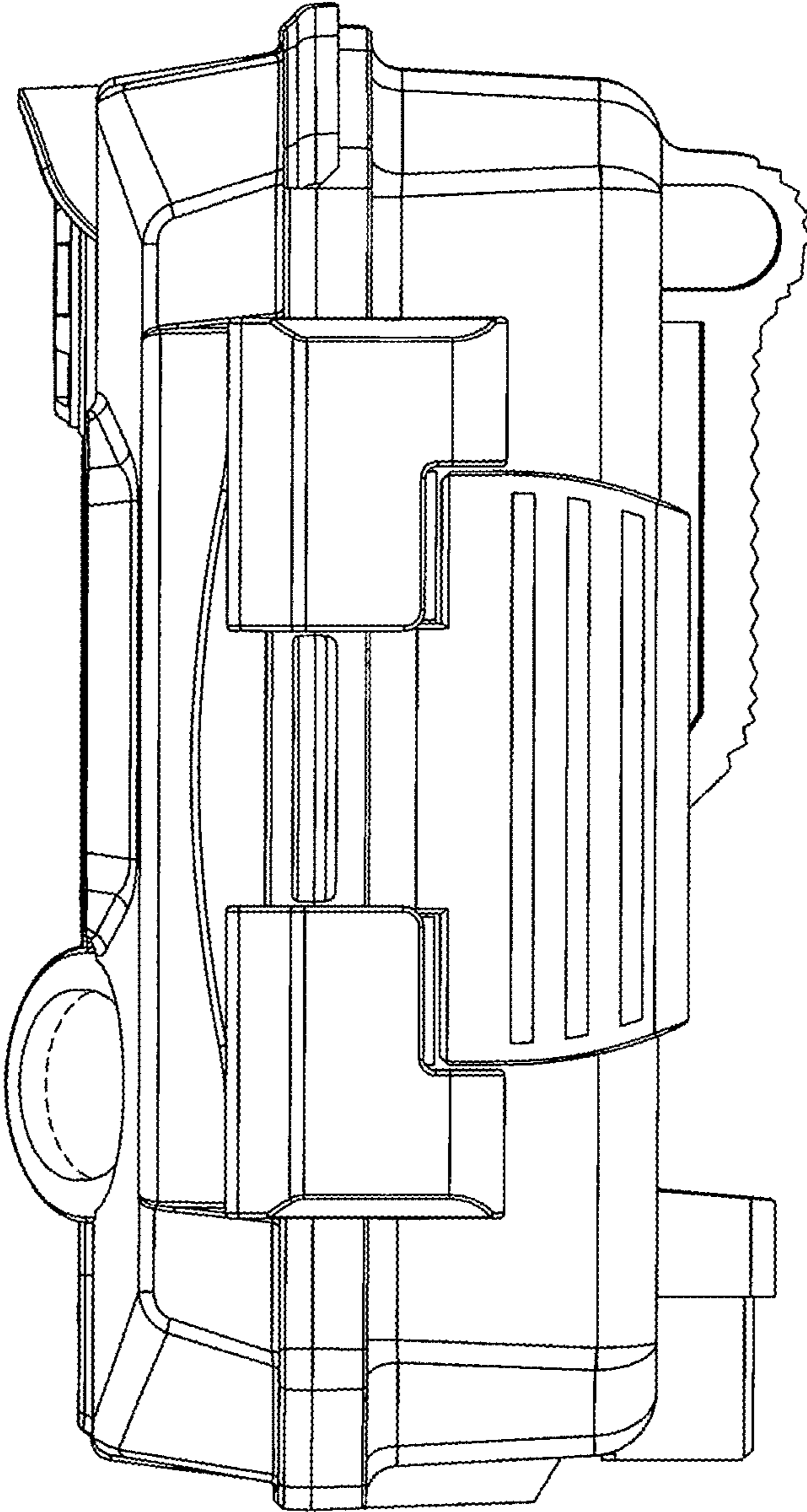


Fig. 4

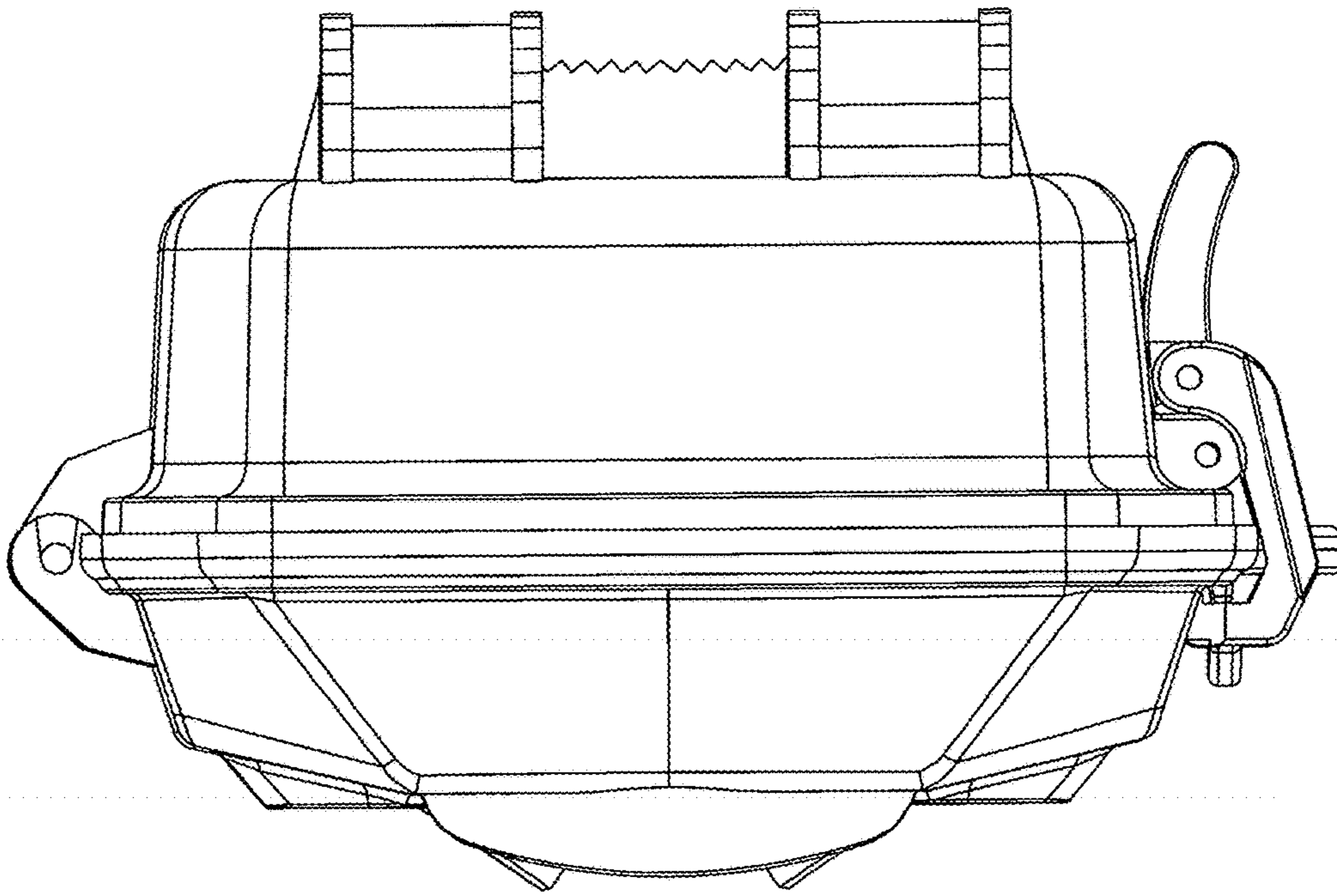


Fig. 5

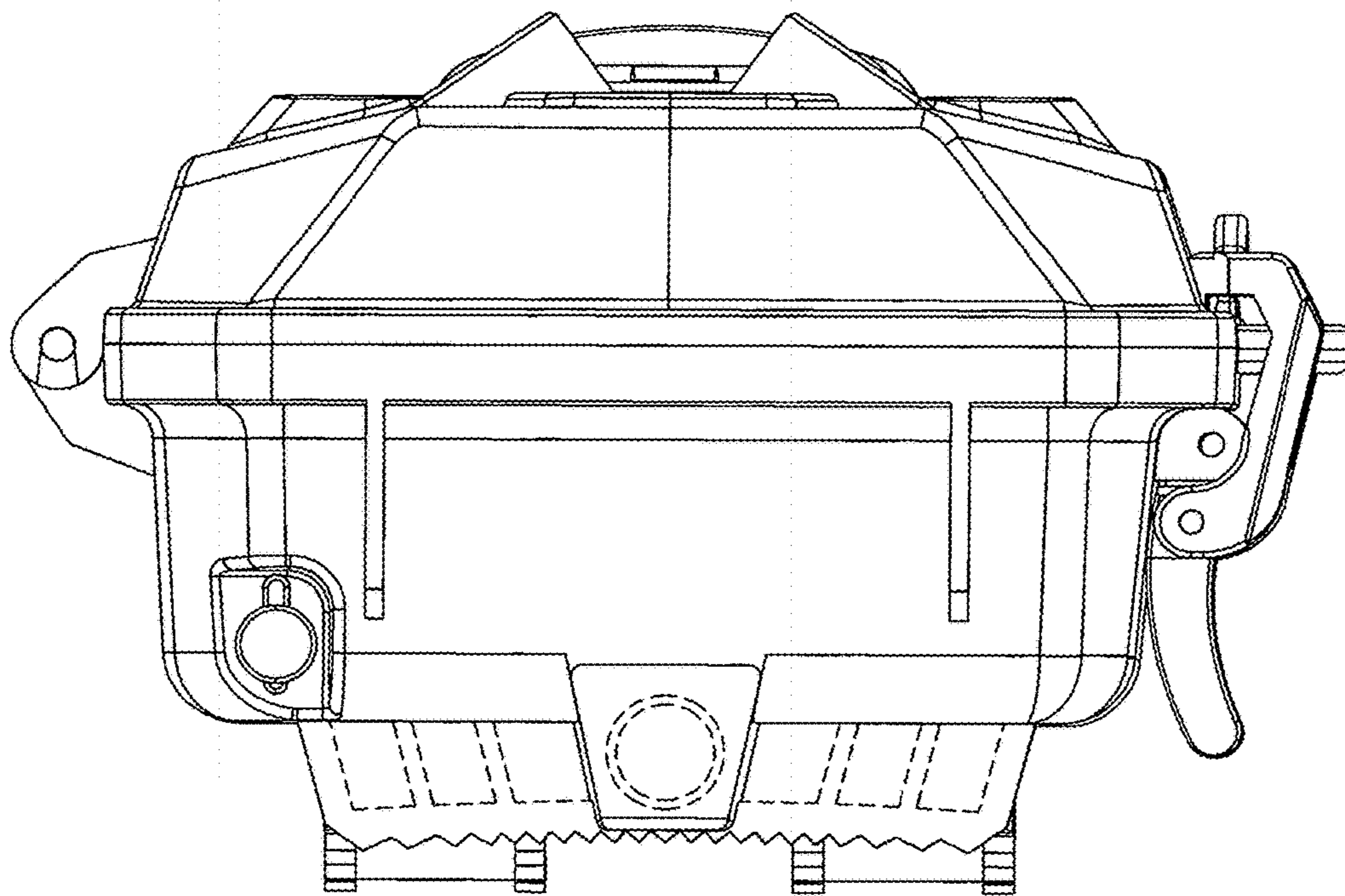


Fig. 6

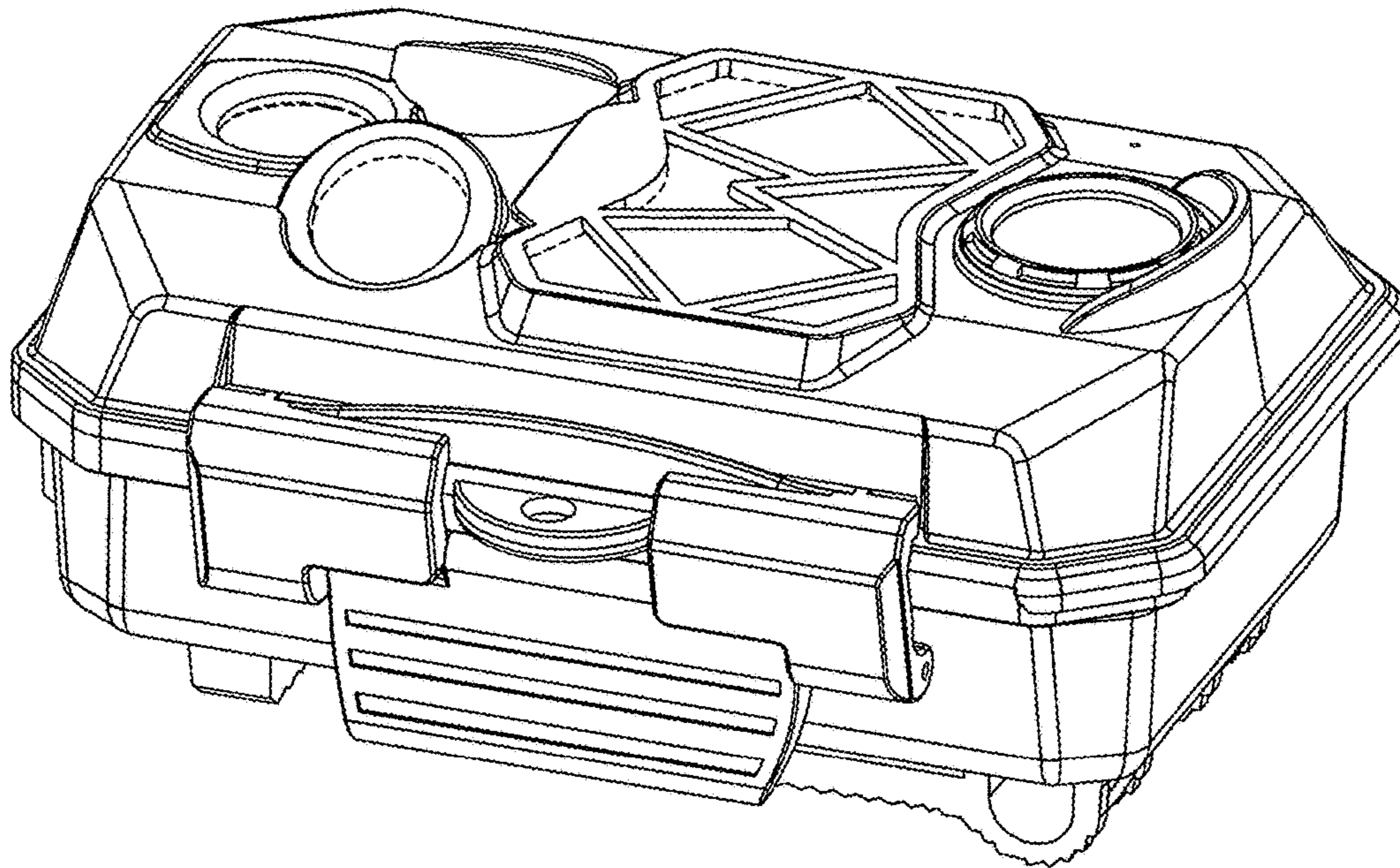


Fig. 7

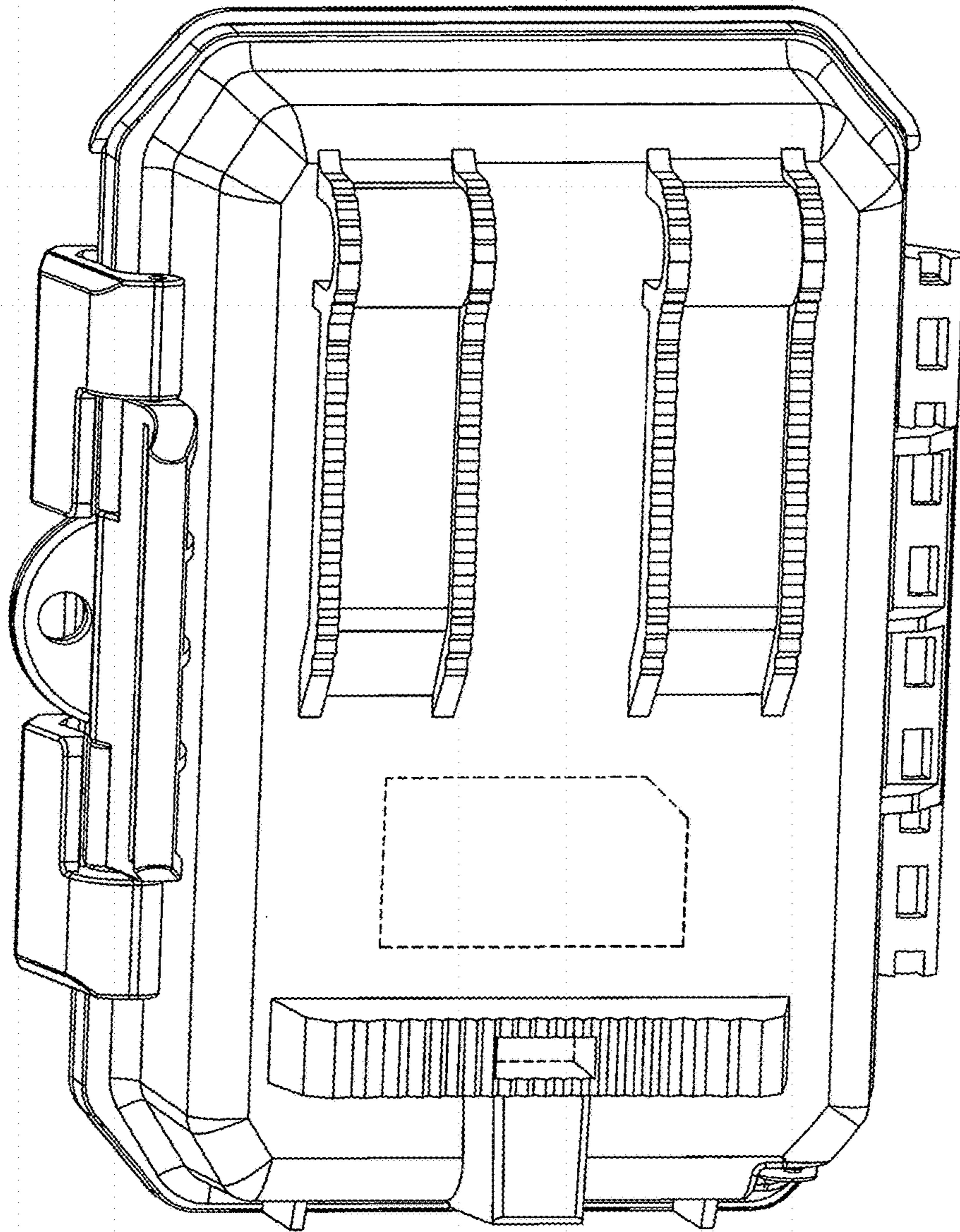


Fig. 8