



US00D874544S

(12) **United States Design Patent**
Marzette, Jr. et al.

(10) **Patent No.:** **US D874,544 S**
(45) **Date of Patent:** **** Feb. 4, 2020**

(54) **THERMAL IMAGER**

(71) Applicant: **Fluke Corporation**, Everett, WA (US)

(72) Inventors: **Charles E. Marzette, Jr.**, Kirkland, WA (US); **Timothy J. Kesti**, Otsego, MN (US)

(73) Assignee: **Fluke Corporation**, Everett, WA (US)

(**) Term: **15 Years**

(21) Appl. No.: **29/646,515**

(22) Filed: **May 4, 2018**

(51) **LOC (12) Cl.** **16-01**

(52) **U.S. Cl.**
USPC **D16/218; D16/208**

(58) **Field of Classification Search**
USPC D16/200, 202–206, 218, 219, 242;
348/143, 148, 151, 164, 373–376;
396/419, 427, 535, 539–541; 250/330,
250/332

CPC G03B 17/02; G03B 19/04; G03B 17/56;
G03B 17/04; G03B 15/03; H04N 5/2251;
H04N 5/2252; H04N 5/2253; H04N
5/2254; H04N 7/181; H04N 7/183; H04N
7/18; G08B 13/1963; G08B 13/19619;
G08B 13/19632; F16M 11/04; F16M
13/00

See application file for complete search history.

(56) **References Cited**

U.S. PATENT DOCUMENTS

D426,248 S * 6/2000 Sumita D16/202
D472,911 S * 4/2003 Bielefeld D16/130

D479,548 S * 9/2003 Bielefeld D16/200
D500,068 S * 12/2004 Hayashi D16/202
7,648,291 B2 * 1/2010 Laganas G03B 17/561
250/330
D665,004 S * 8/2012 Lofgren D16/206
D701,926 S * 4/2014 Takahashi D21/514
D718,801 S * 12/2014 Zetterlund D16/218
D753,208 S * 4/2016 Elrod D16/208
D849,105 S * 5/2019 Hogstedt D16/218
2003/0001960 A9 * 1/2003 Kato H04N 5/2253
348/342

* cited by examiner

Primary Examiner — Ramzi S Almatrahi

(74) *Attorney, Agent, or Firm* — Seed Intellectual Property Law Group LLP

(57) **CLAIM**

The ornamental design for a thermal imager, as shown and described.

DESCRIPTION

FIG. 1 is a top, front right perspective view of a thermal imager showing our new design.

FIG. 2 is a bottom, rear left perspective view thereof.

FIG. 3 is a front elevation view thereof.

FIG. 4 is a right side elevation view thereof.

FIG. 5 is a left side elevation view thereof.

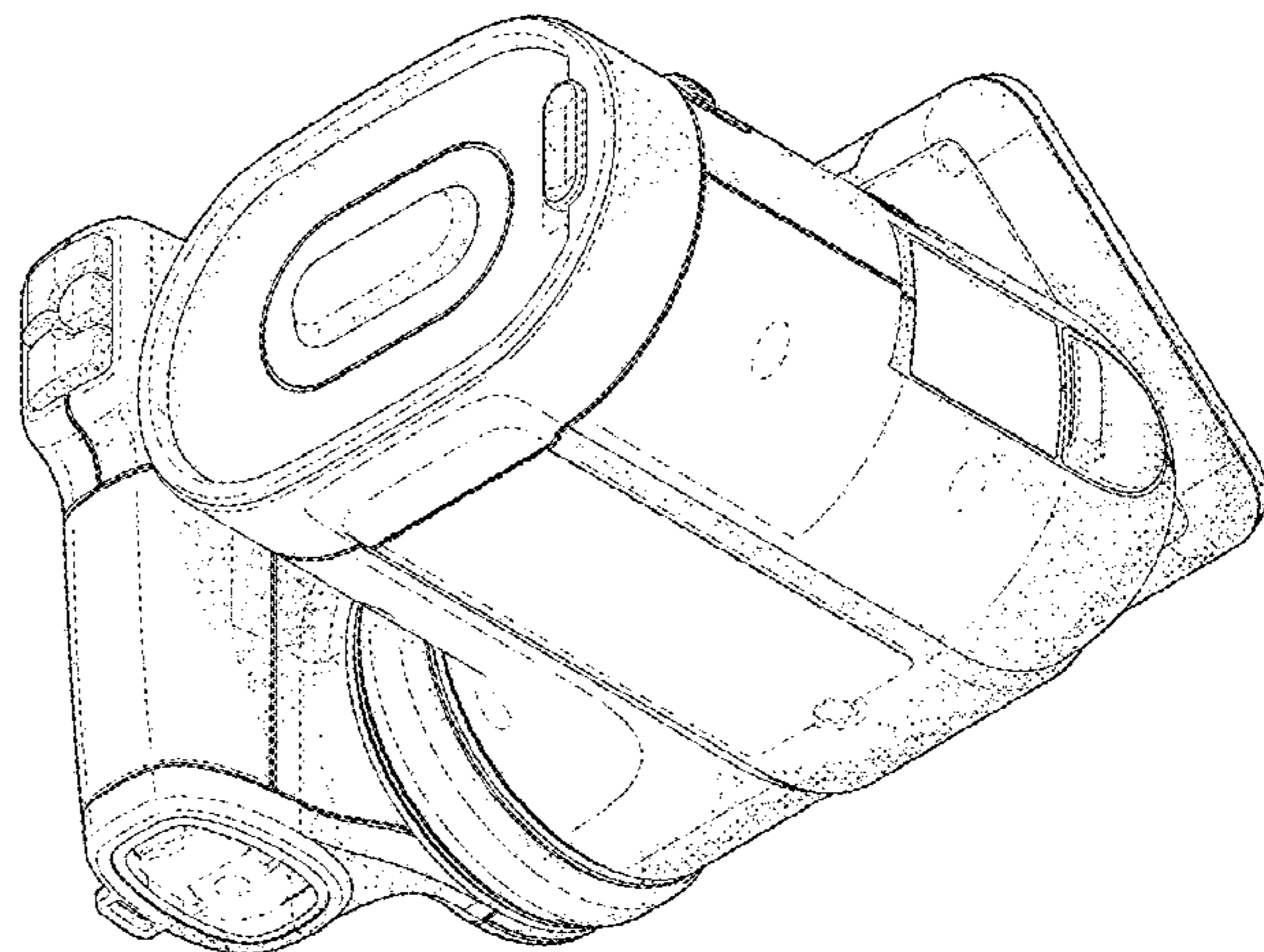
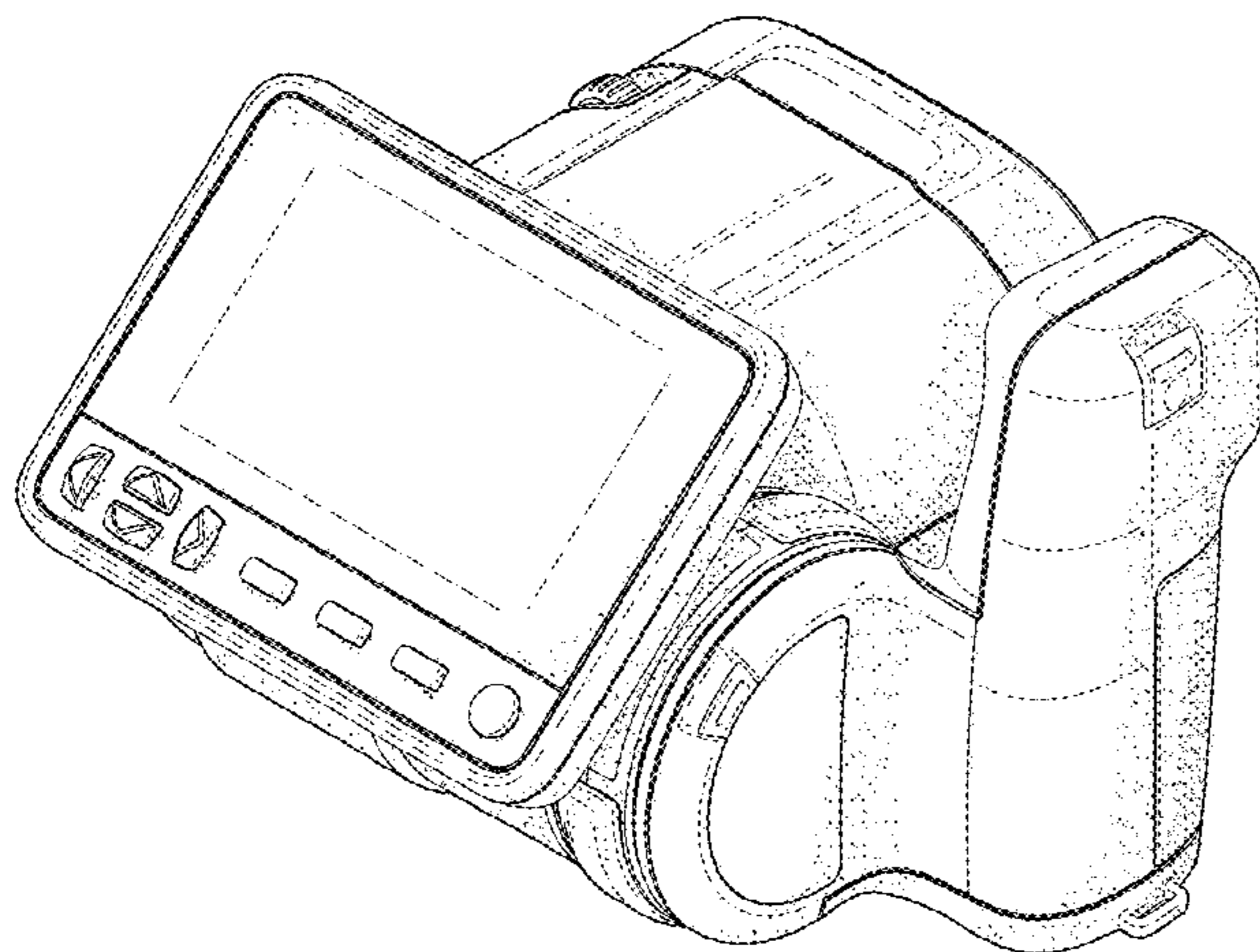
FIG. 6 is a top plan view thereof.

FIG. 7 is a bottom plan view thereof; and,

FIG. 8 is a rear elevational view thereof.

The broken lines depict portions of the thermal camera in which the design is embodied that form no part of the claimed design.

1 Claim, 8 Drawing Sheets



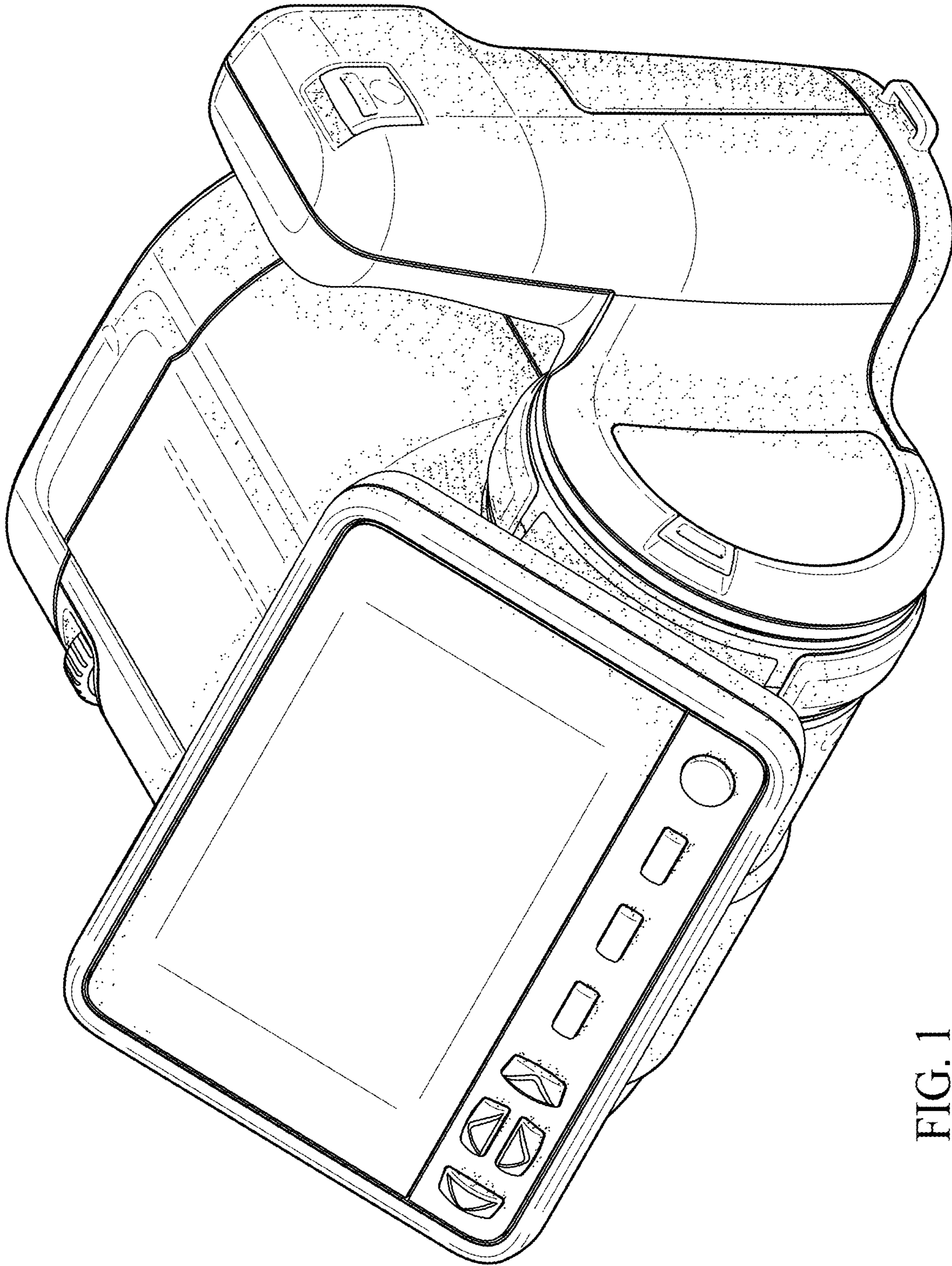


FIG. 1

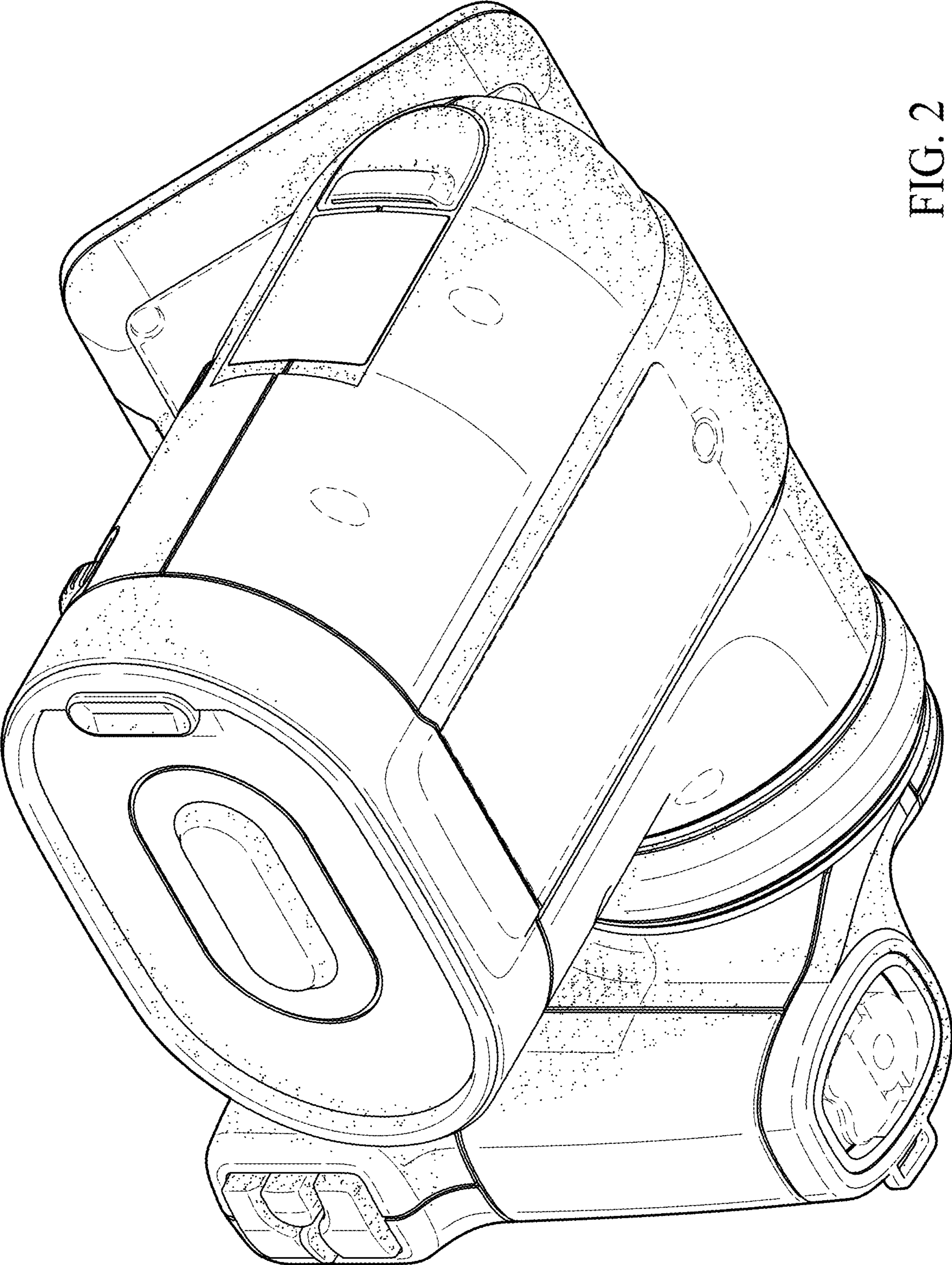


FIG. 2

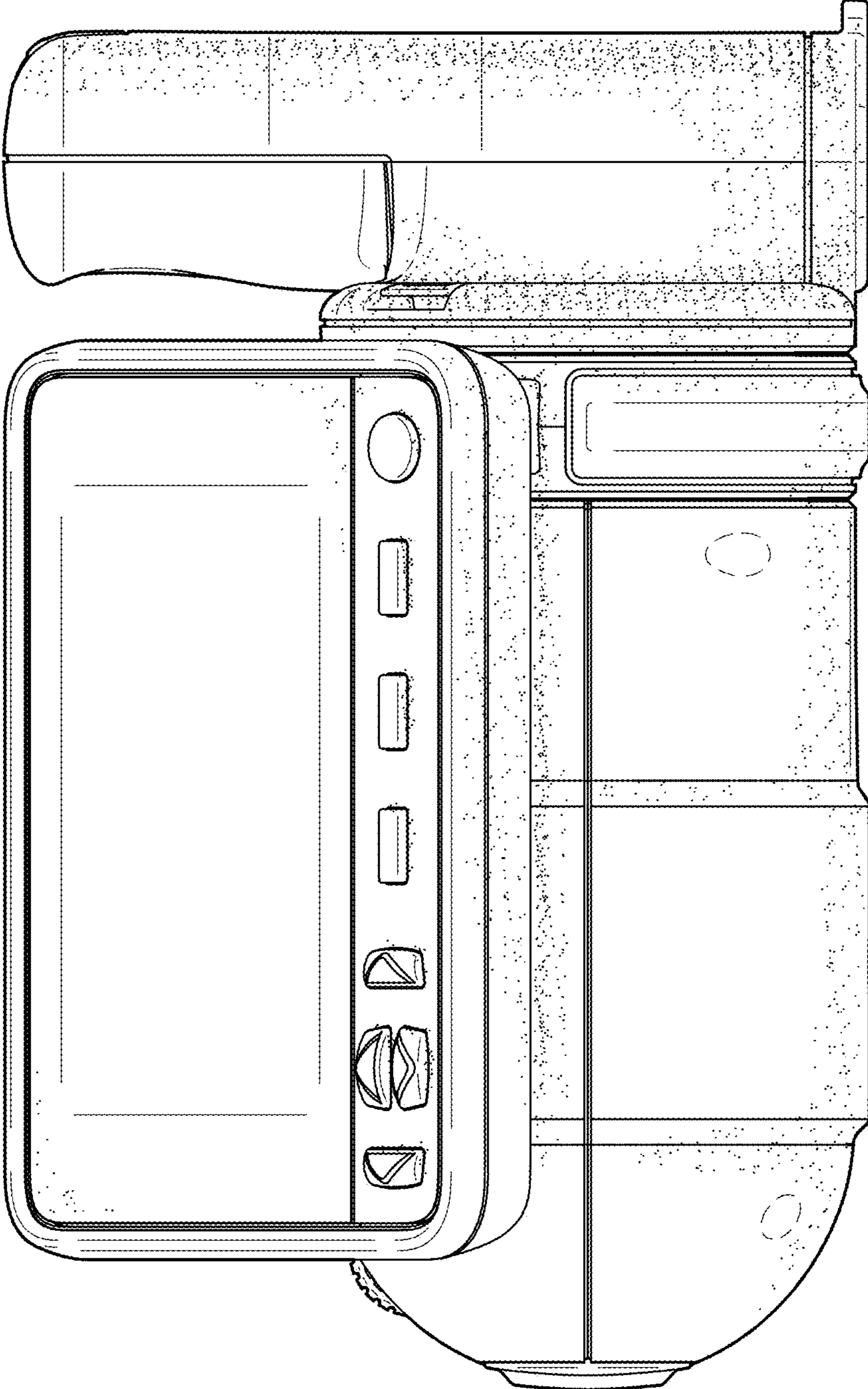


FIG. 3

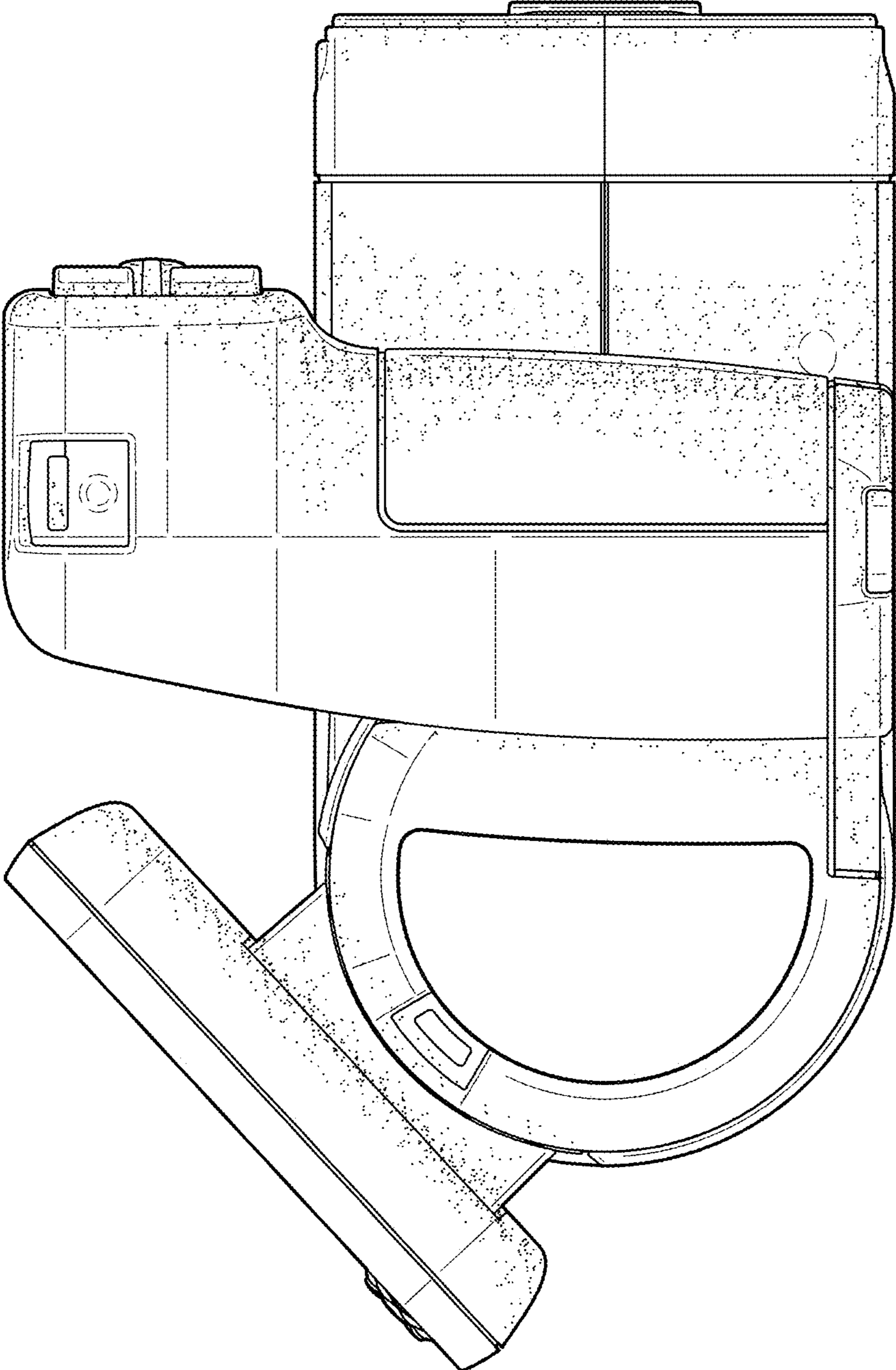


FIG. 4

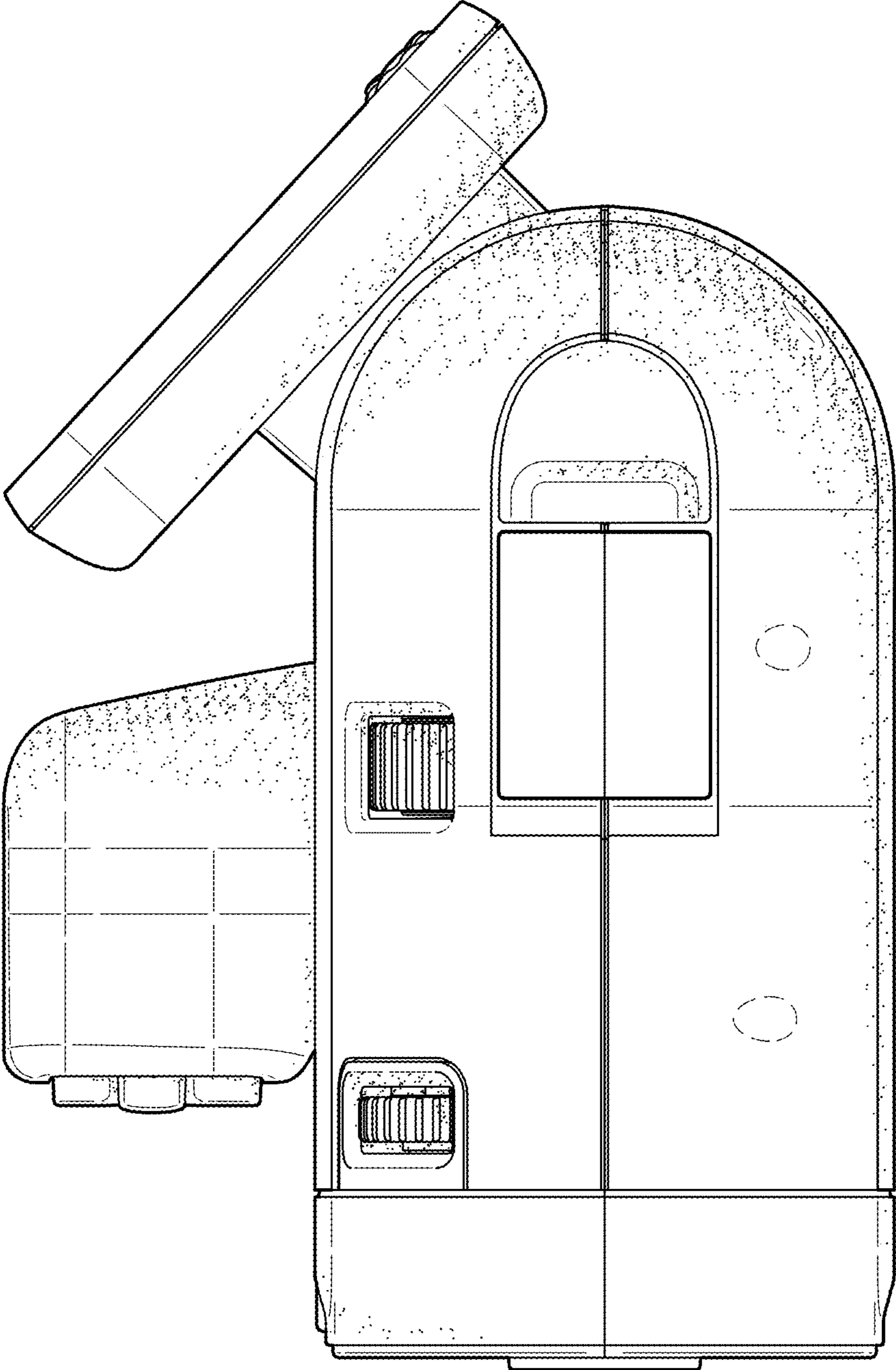


FIG. 5

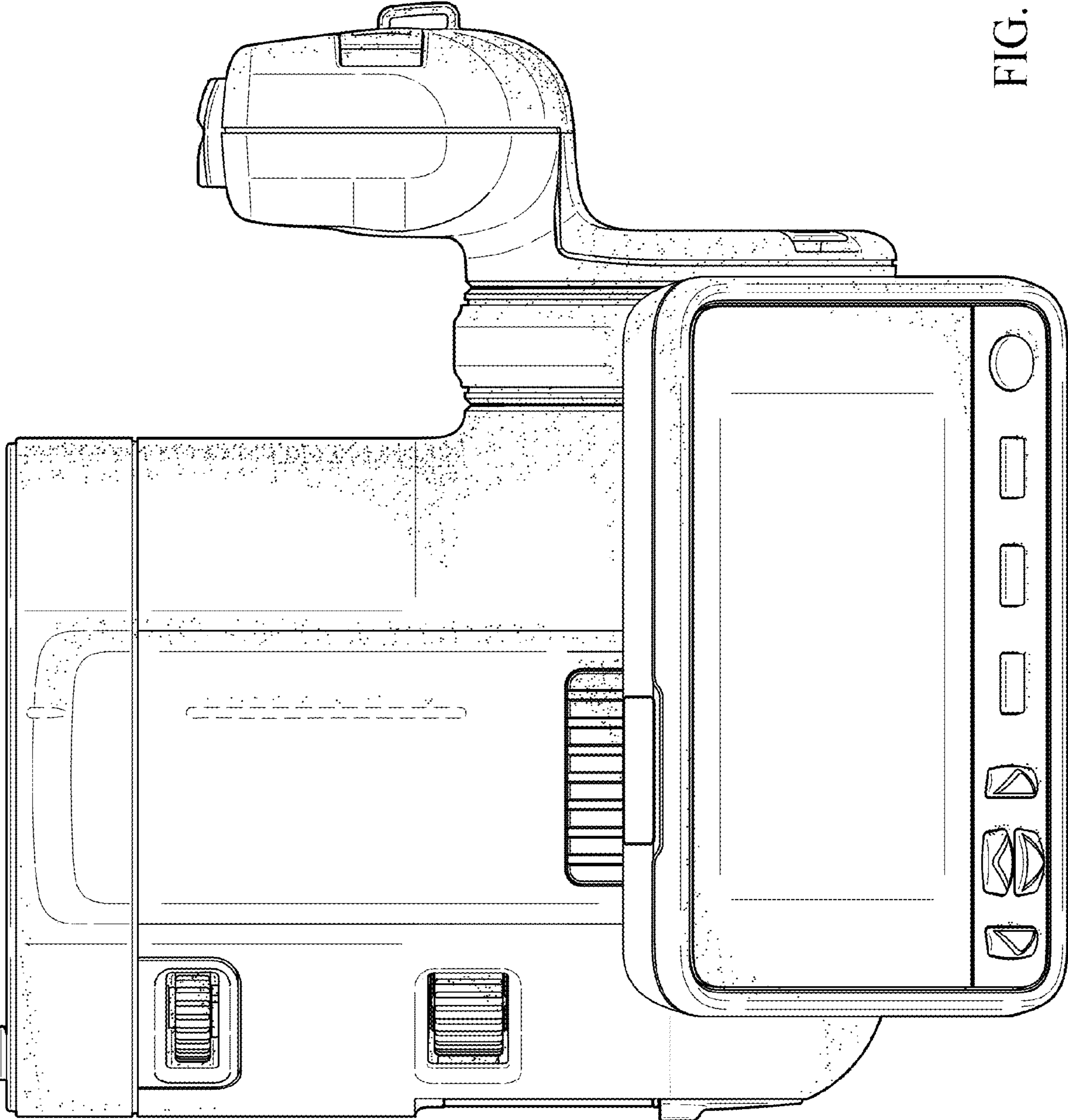


FIG. 6

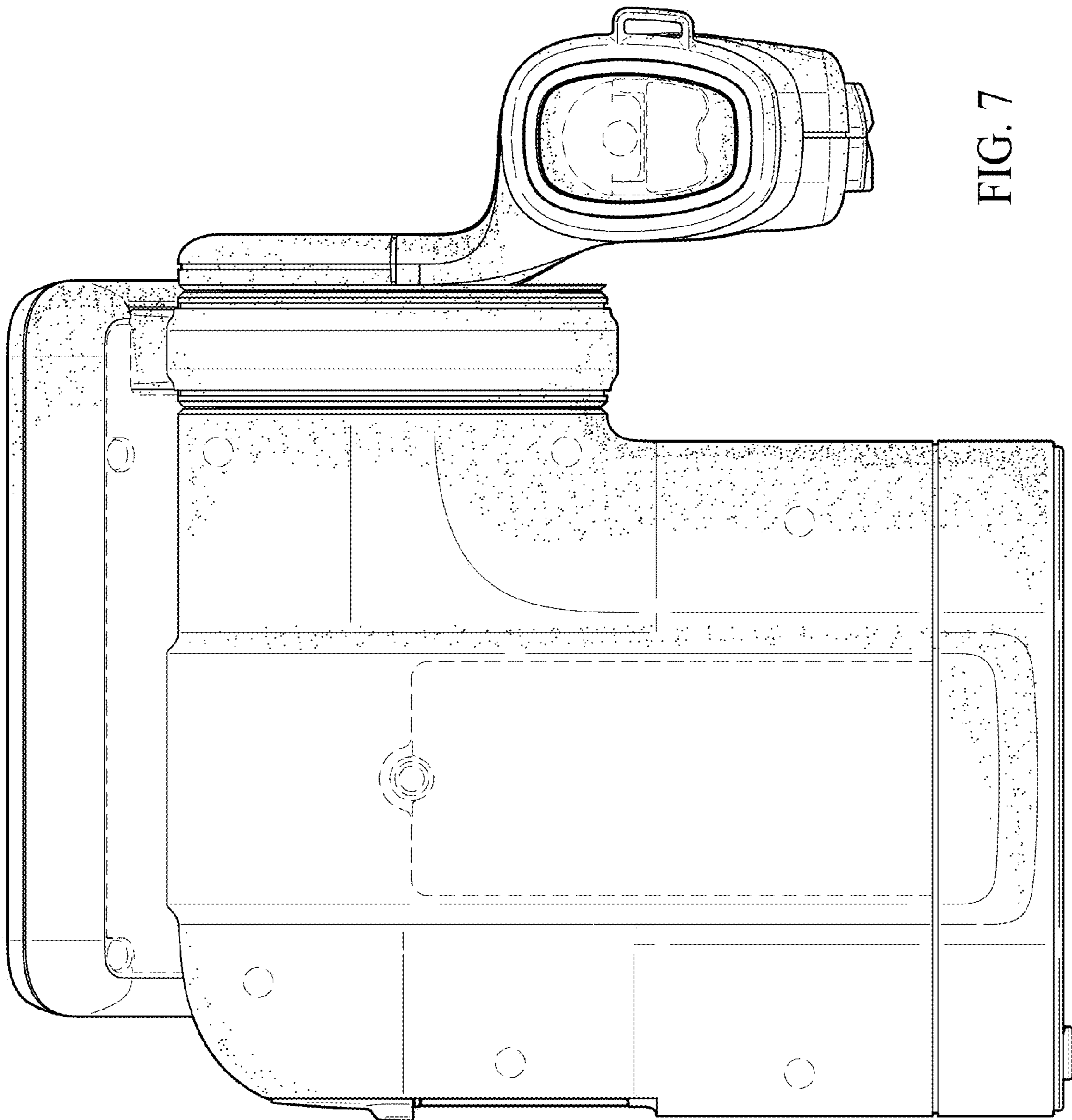


FIG. 7

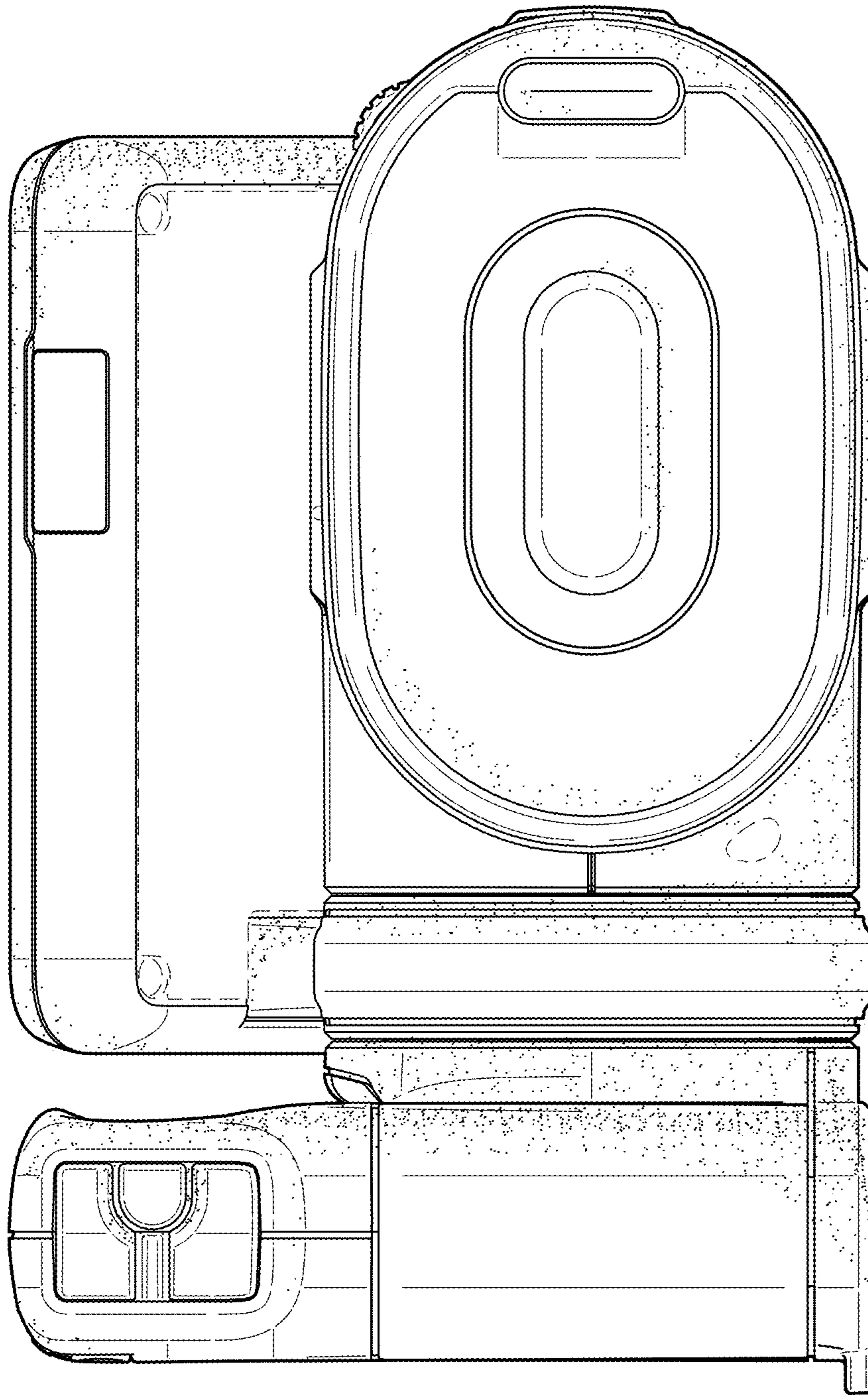


FIG. 8