

US00D874543S

(12) **United States Design Patent** (10) **Patent No.:** **US D874,543 S**
Yu (45) **Date of Patent:** **** Feb. 4, 2020**

(54) **HUNTING CAMERA**
(71) Applicant: **Shenzhen Longzhiyuan Technology Co., Ltd**, Shenzhen, Guangdong (CN)
(72) Inventor: **Mengchu Yu**, Guangdong (CN)
(73) Assignee: **Shenzhen Longzhiyuan Technology Co., Ltd**, Shenzhen (CN)

(**) Term: **15 Years**
(21) Appl. No.: **29/641,994**
(22) Filed: **Mar. 27, 2018**

(30) **Foreign Application Priority Data**
Oct. 20, 2017 (CN) 2017 3 0501162
(51) **LOC (12) Cl.** **16-05**
(52) **U.S. Cl.**
USPC **D16/218**
(58) **Field of Classification Search**
USPC D16/200, 202, 203, 204, 205, 206, 218, D16/219, 242
CPC H04N 5/2251; H04N 5/2252; H04N 7/181; H04N 7/183; H04N 7/18; H04N 7/00; H04N 5/247; H04N 5/232; H04N 5/225; H04N 5/222; H04N 5/00; H04N 1/00; G03B 19/02; G03B 17/00; G03B 17/02; G03B 17/561; G08B 13/1963; G08B 13/19619; G08B 13/19632; G08B 13/19602; G08B 13/19634; A01M 31/00; A01M 31/002
See application file for complete search history.

(56) **References Cited**
U.S. PATENT DOCUMENTS
D630,236 S * 1/2011 Lian D16/203
D638,047 S * 5/2011 Lian D16/203

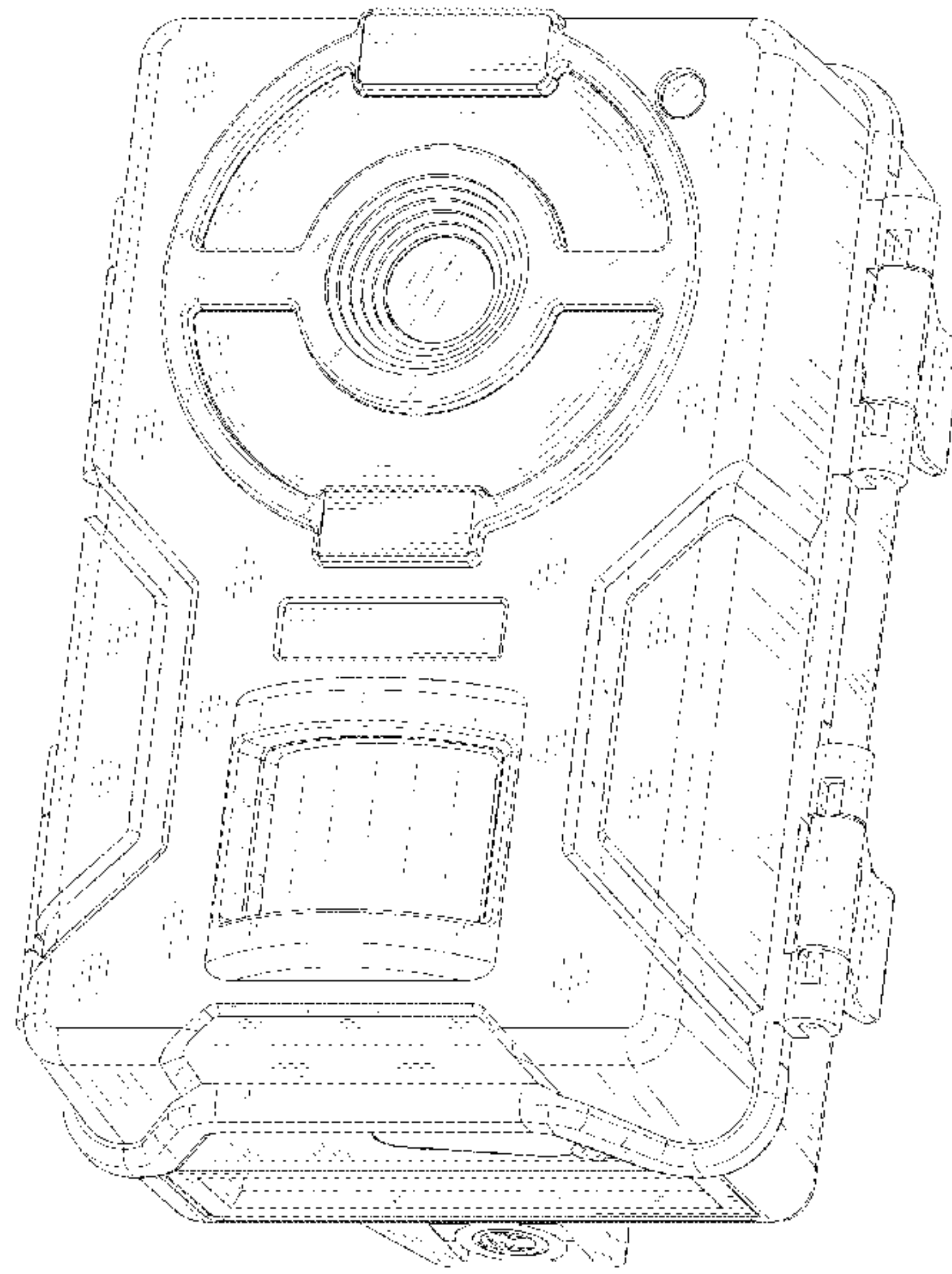
D655,736 S * 3/2012 Barley D16/203
D820,338 S * 6/2018 Wu D16/203
D828,432 S * 9/2018 Luo D16/237
D838,306 S * 1/2019 Yu D16/218
D838,763 S * 1/2019 Yu D16/218
2010/0215355 A1* 8/2010 Olien F16M 11/041 396/428
2014/0168430 A1* 6/2014 Unger H04N 7/183 348/143
2018/0041736 A1* 2/2018 Gagnon H02J 7/35

* cited by examiner
Primary Examiner — Sandra S Snapp
Assistant Examiner — Ieisha N Price
(74) *Attorney, Agent, or Firm* — Wayne & Ken, LLC; Tony Hom

(57) **CLAIM**
The ornamental design for a hunting camera, as shown and described.

DESCRIPTION
FIG. 1 is a bottom front perspective view of a hunting camera;
FIG. 2 is a rear perspective view thereof;
FIG. 3 is a front view thereof;
FIG. 4 is a back view thereof;
FIG. 5 is a left side view thereof;
FIG. 6 is a right side view thereof;
FIG. 7 is a top plan view thereof;
FIG. 8 is a bottom plan view thereof; and,
FIG. 9 is a bottom front perspective view thereof, shown with an opened position.
The broken lines in the drawings illustrate portions of the hunting camera and form no part of the claimed design.

1 Claim, 9 Drawing Sheets



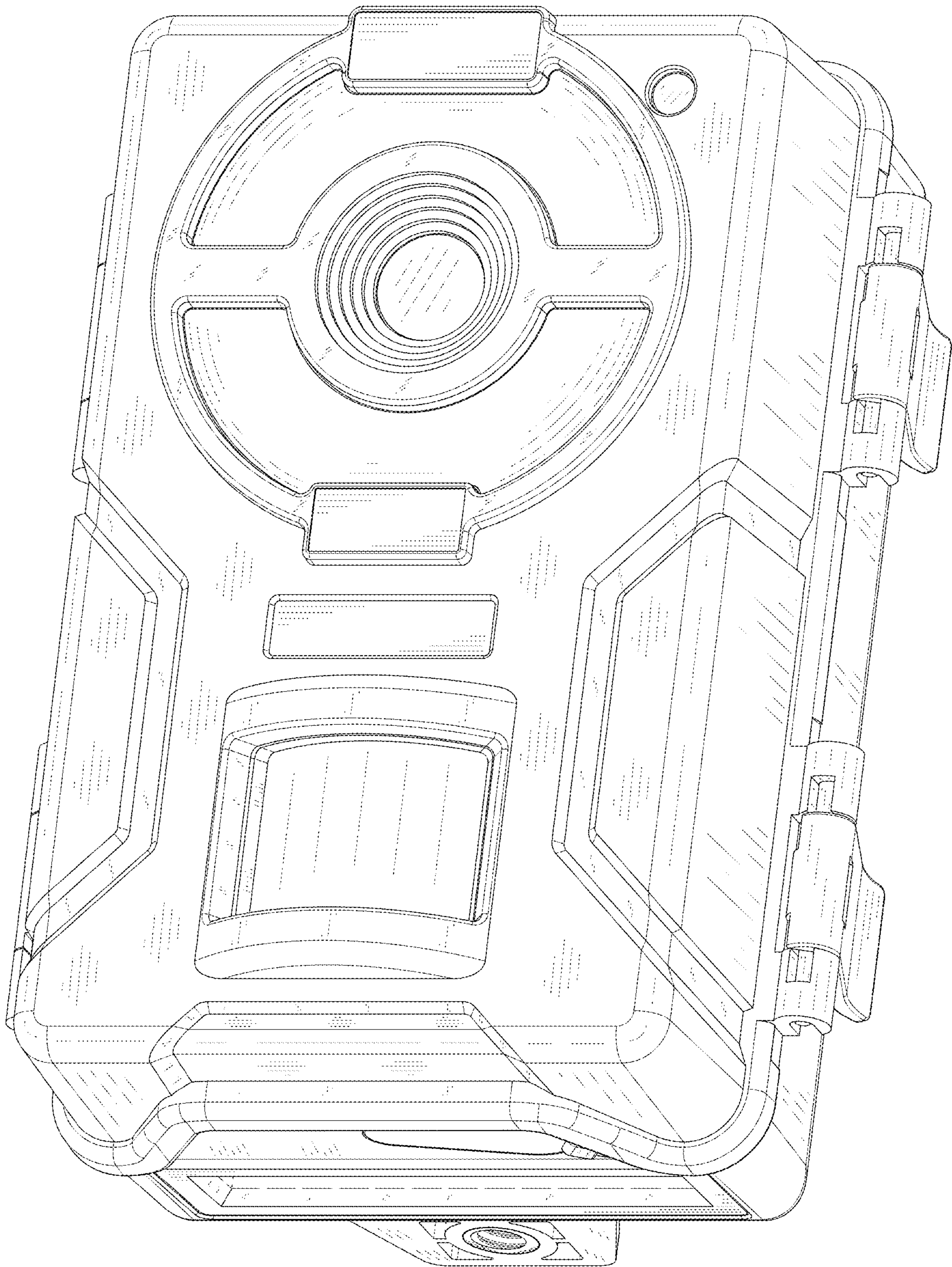


FIG.1

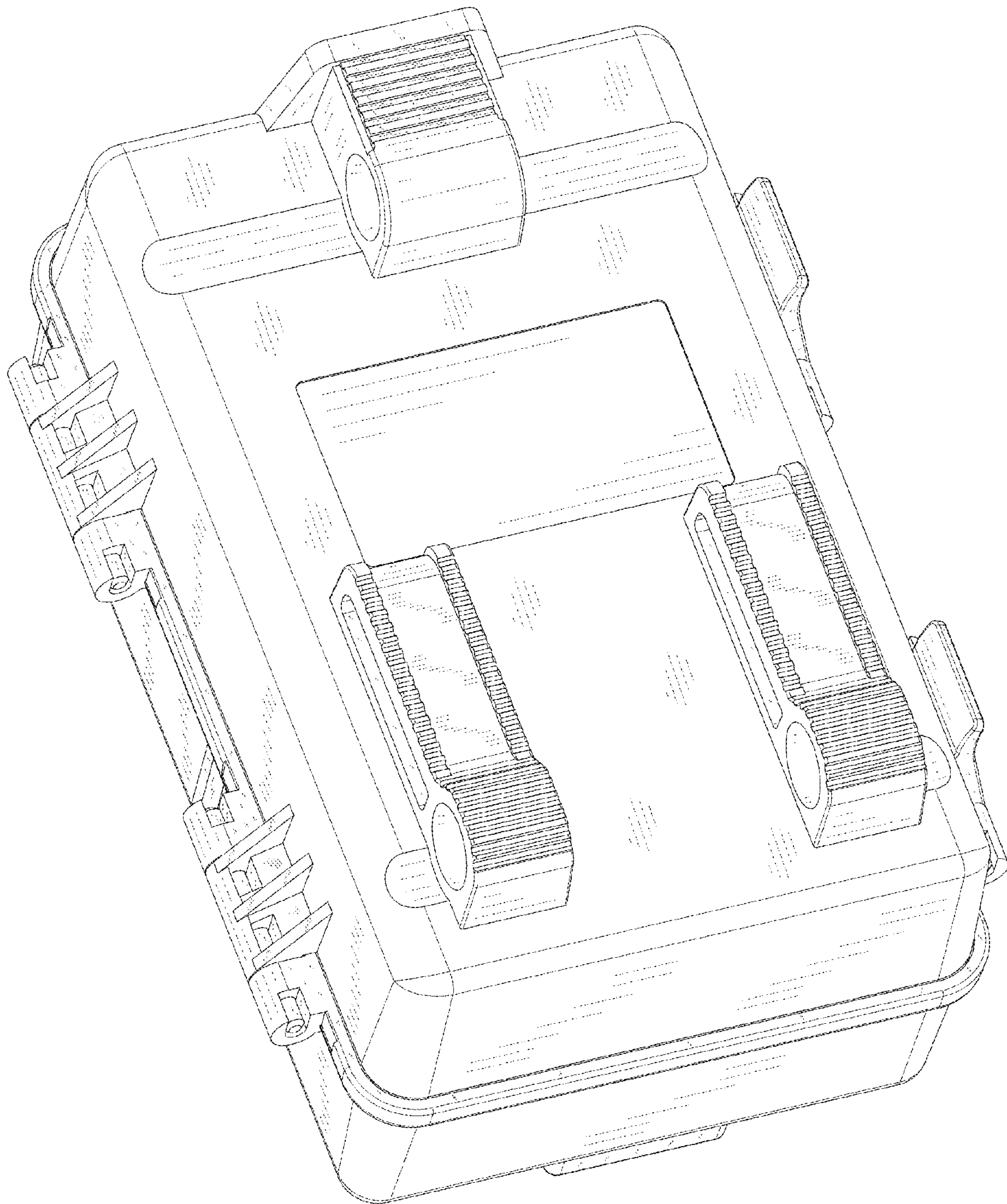


FIG.2

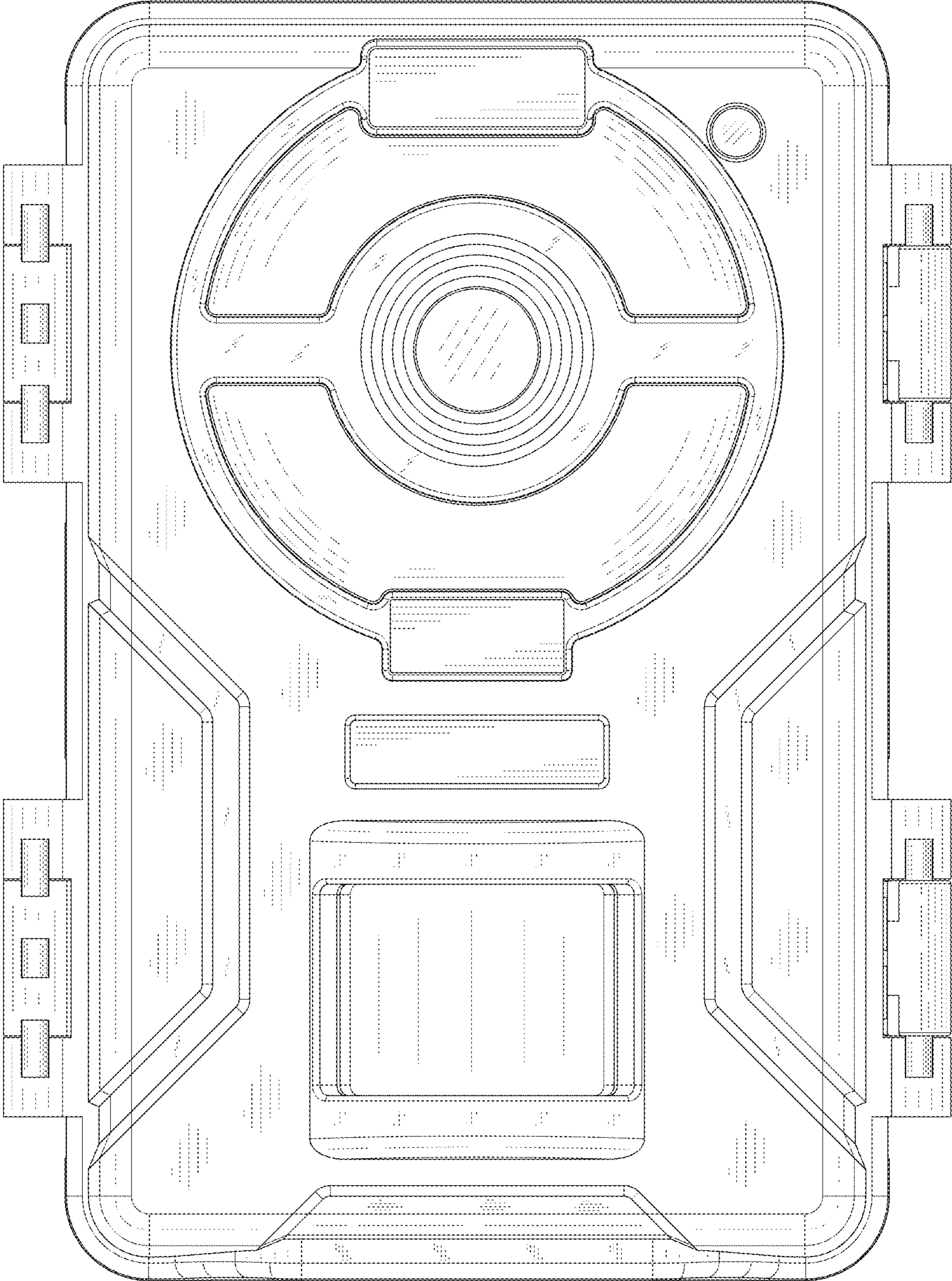


FIG.3

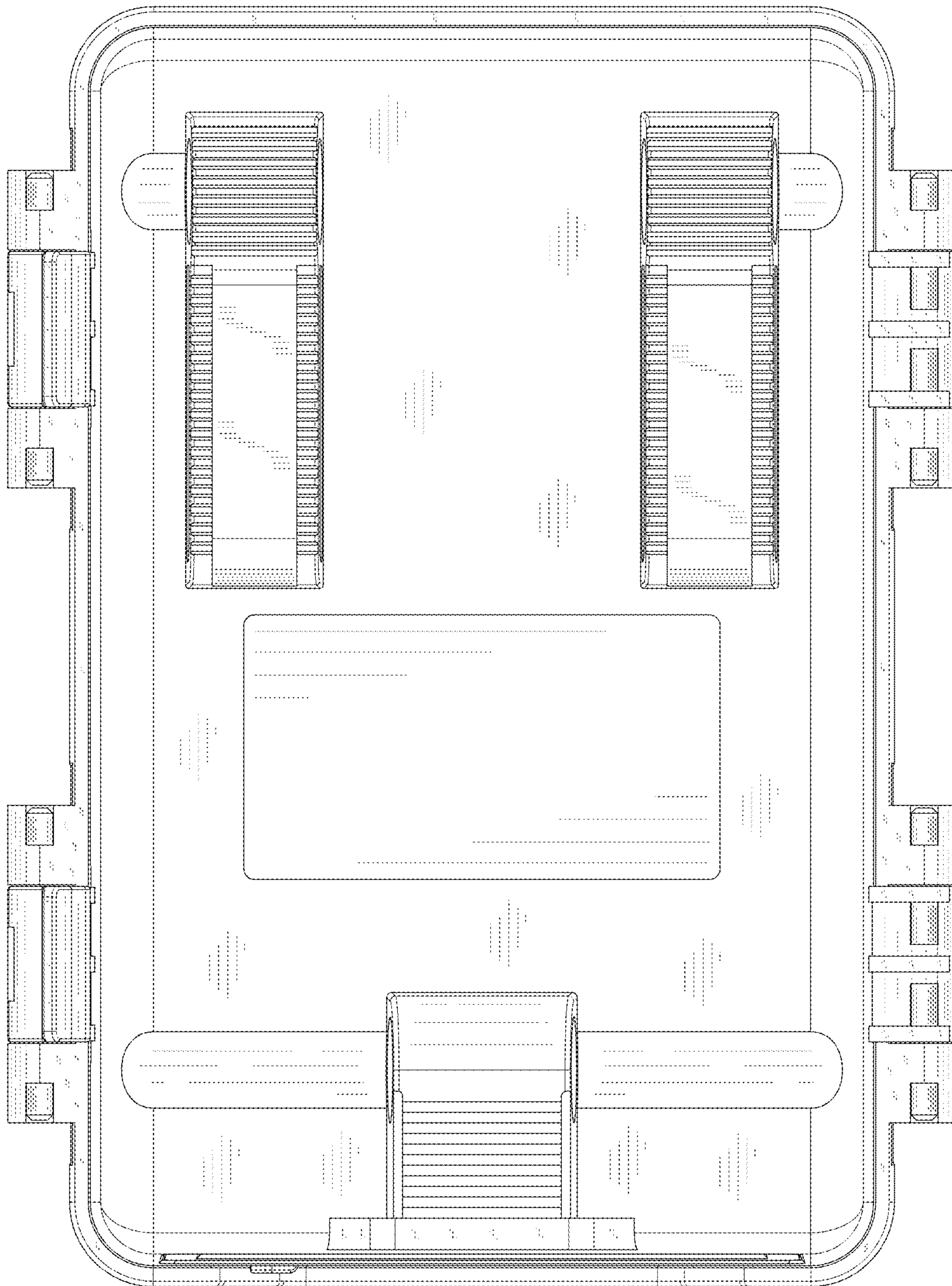


FIG.4

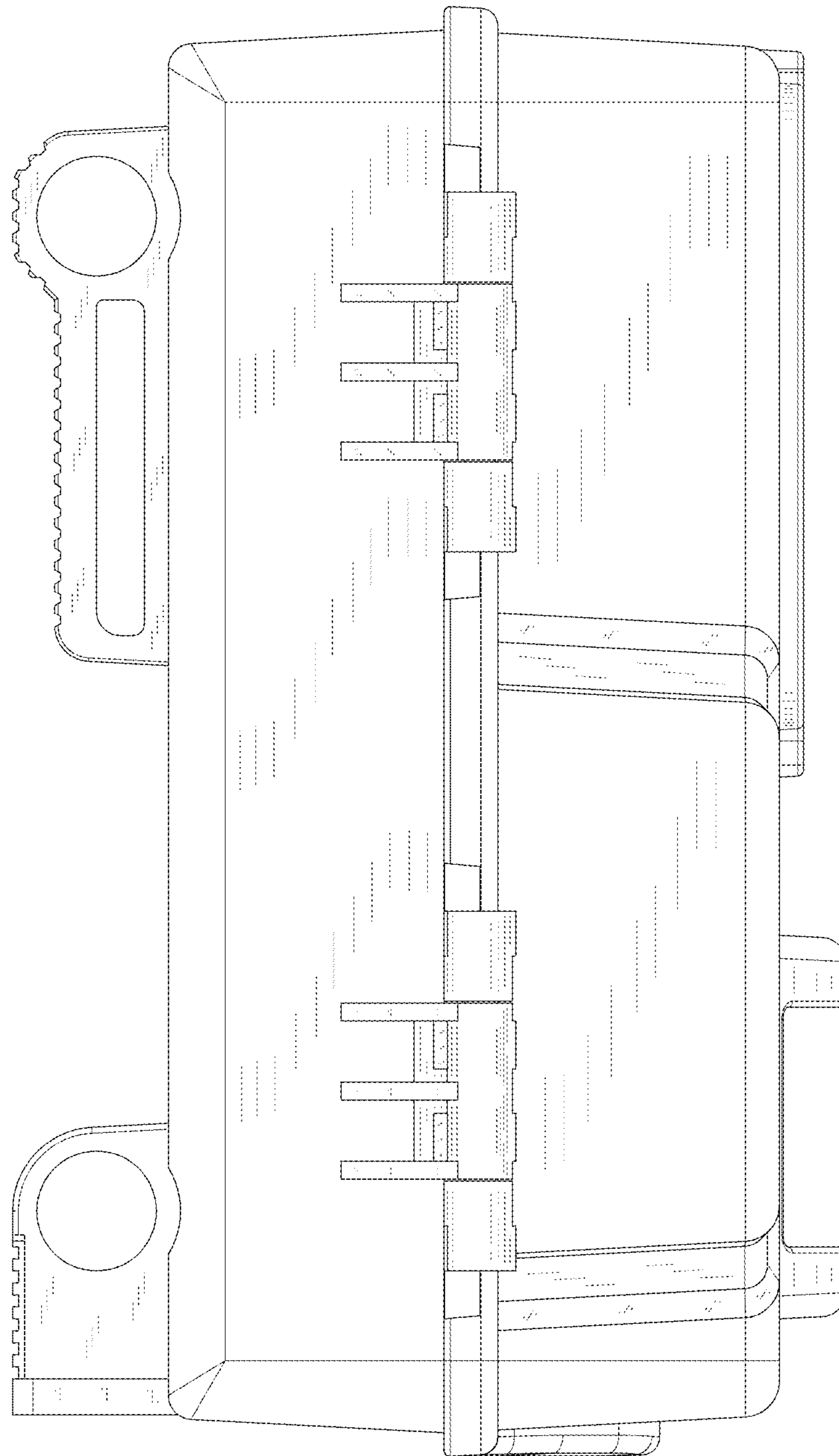


FIG.5

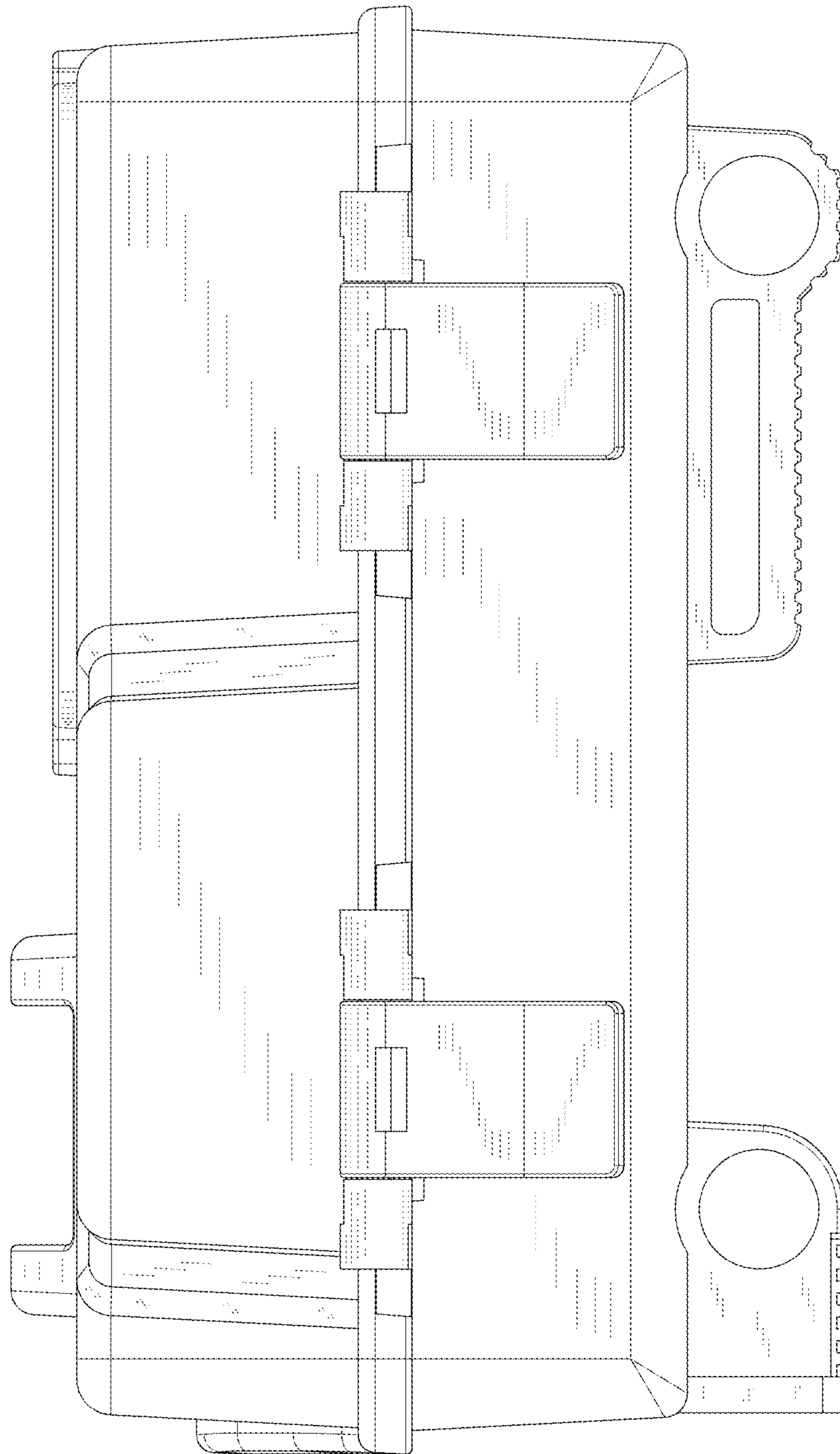


FIG.6

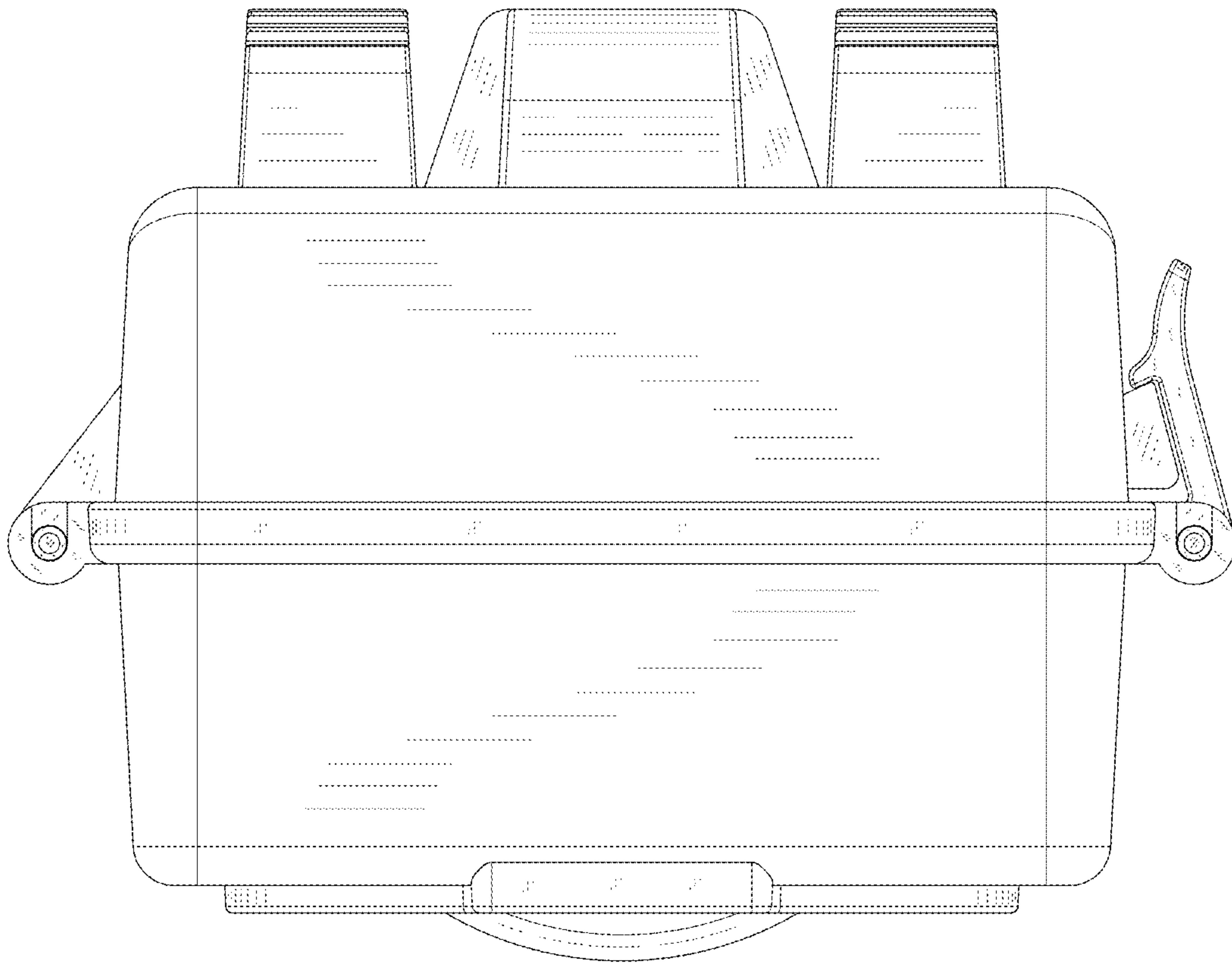


FIG.7

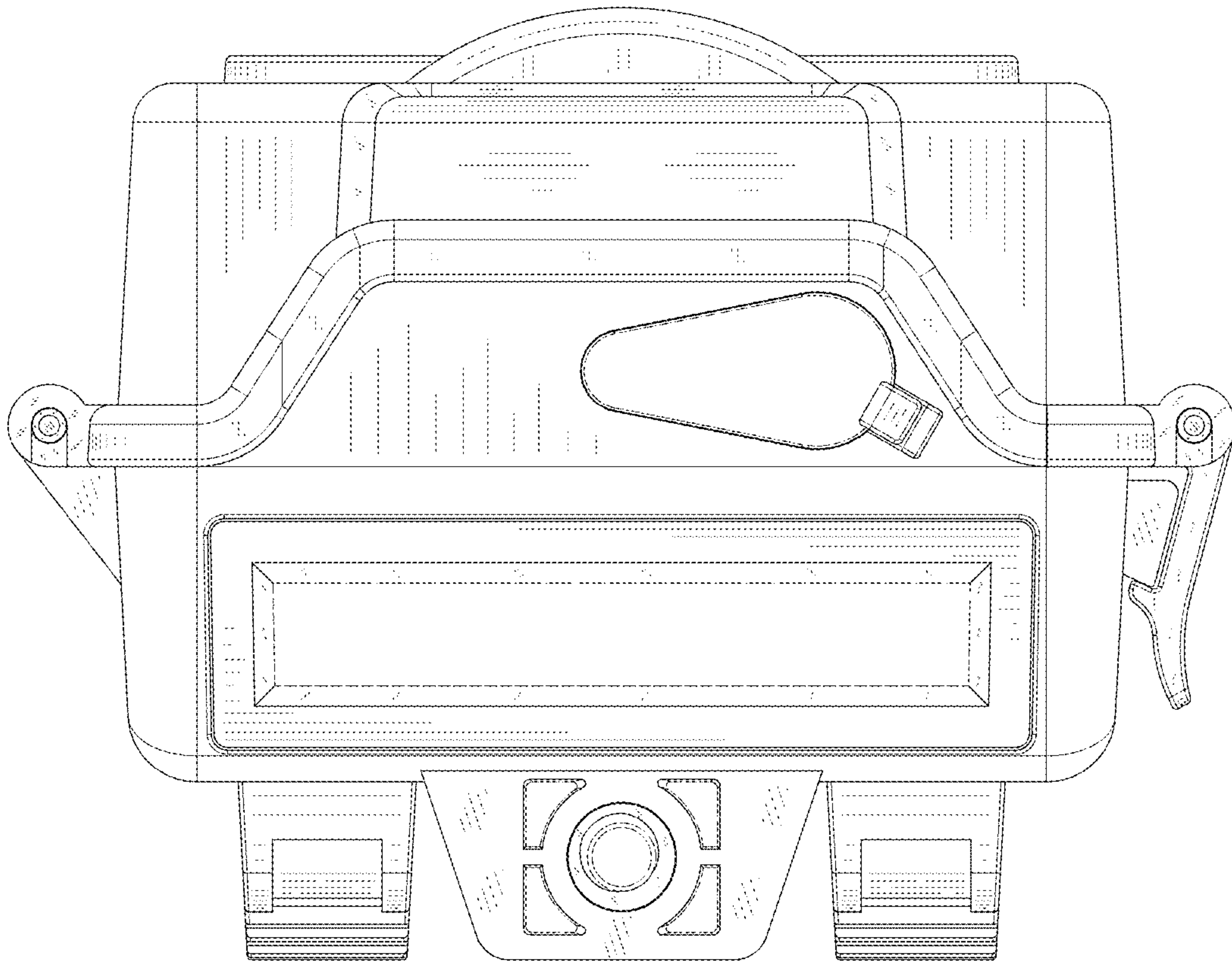


FIG.8

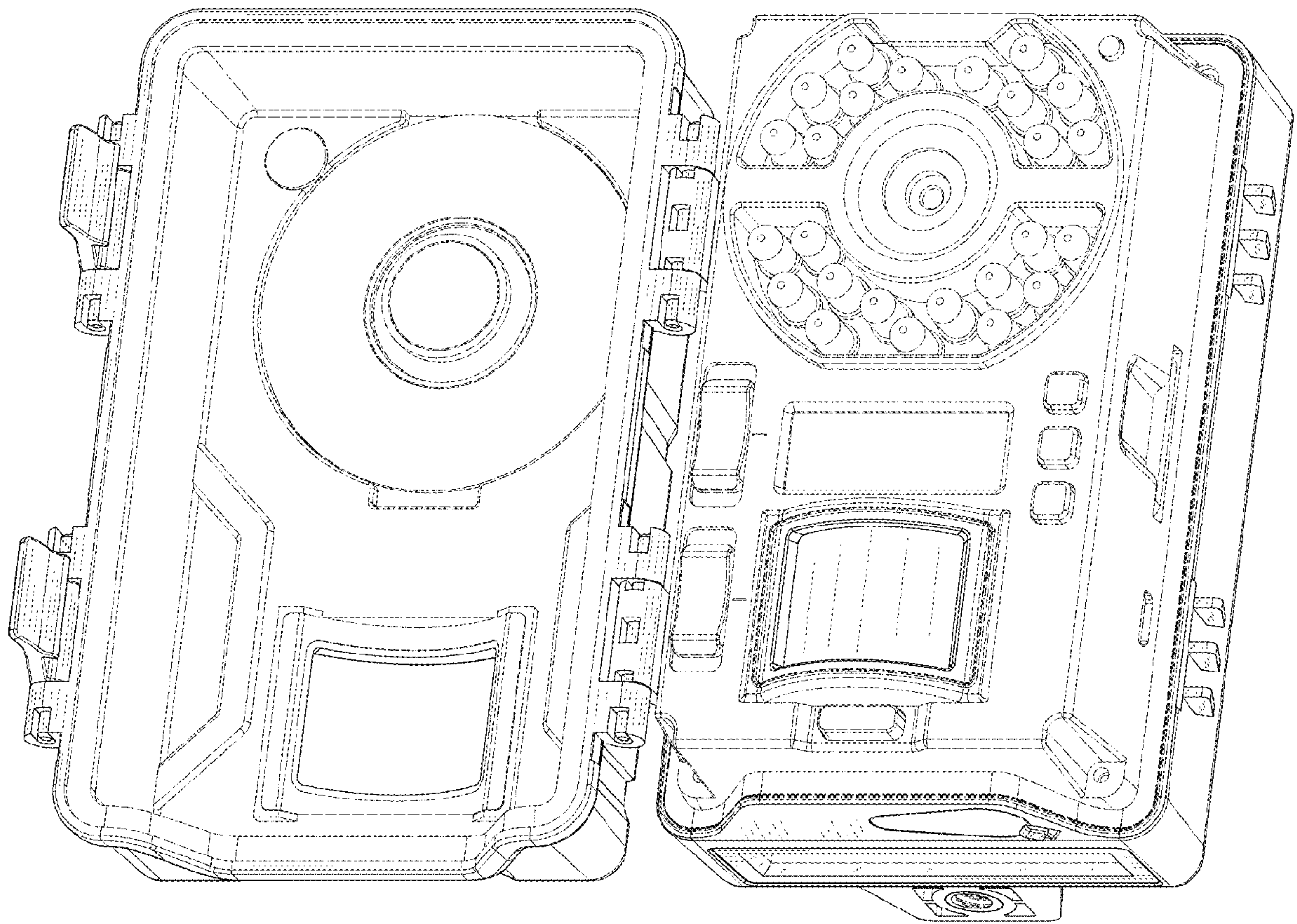


FIG.9