

US00D874539S

(12) **United States Design Patent** (10) **Patent No.:** **US D874,539 S**
Wang et al. (45) **Date of Patent:** **** Feb. 4, 2020**

- (54) **STABILIZED CAMERA DEVICE**
- (71) Applicant: **SZ DJI Technology Co., Ltd.**,
Shenzhen (CN)
- (72) Inventors: **Chenjie Wang**, Shenzhen (CN);
Baichuan He, Shenzhen (CN); **Min Kim**,
Shenzhen (CN); **Dengfeng Hu**, Shenzhen (CN);
Xingchi Chen, Shenzhen (CN)
- (73) Assignee: **SZ DJI Technology Co., Ltd.**,
Shenzhen (CN)
- (**) Term: **15 Years**
- (21) Appl. No.: **29/655,000**
- (22) Filed: **Jun. 29, 2018**
- (51) **LOC (12) Cl.** **16-01**
- (52) **U.S. Cl.**
USPC **D16/206**
- (58) **Field of Classification Search**
USPC D16/200, 202, 203, 206, 207, 218
CPC H04N 7/18; H04N 7/183; H04N 5/2251;
H04N 5/2252; H04N 5/2258; G08B
13/19617; G08B 13/19619; G08B
13/1963; G08B 21/0247; G03B 17/561;
G03B 17/566; G03B 17/563; F16M
13/04; F16M 11/08; F16M 11/12; F16M
11/041; F16M 11/18; H04M 1/0235;
G01C 21/16
See application file for complete search history.

- (56) **References Cited**
U.S. PATENT DOCUMENTS
9,458,963 B1 * 10/2016 Choi G01C 21/16
D780,825 S * 3/2017 Kim D10/103
D784,997 S * 4/2017 Cheng D14/447
D787,499 S * 5/2017 Lee D14/253
D796,482 S * 9/2017 Zheng D14/217

- D800,817 S * 10/2017 Sutton D16/202
- 9,800,786 B1 * 10/2017 Wei G03B 17/563
- 9,816,666 B2 * 11/2017 Wang F16M 11/18
- D810,171 S * 2/2018 Kim D16/206
- D810,806 S * 2/2018 Kim D16/206
- 9,891,505 B1 * 2/2018 Wei G03B 17/561
- D814,545 S * 4/2018 Kim D16/206
- D815,180 S * 4/2018 Kim D16/206
- D824,882 S * 8/2018 Zheng D14/217
- D824,982 S * 8/2018 Lee D16/202
- D836,699 S * 12/2018 Kim D16/206
- 10,156,776 B1 * 12/2018 Wei G03B 17/561
- D849,107 S * 5/2019 Huang D16/218
- D849,497 S * 5/2019 Wang D8/71
- 2004/0209577 A1 * 10/2004 Park H04M 1/0235
455/90.3
- 2005/0162545 A1 * 7/2005 Jeon H04N 5/2252
348/373

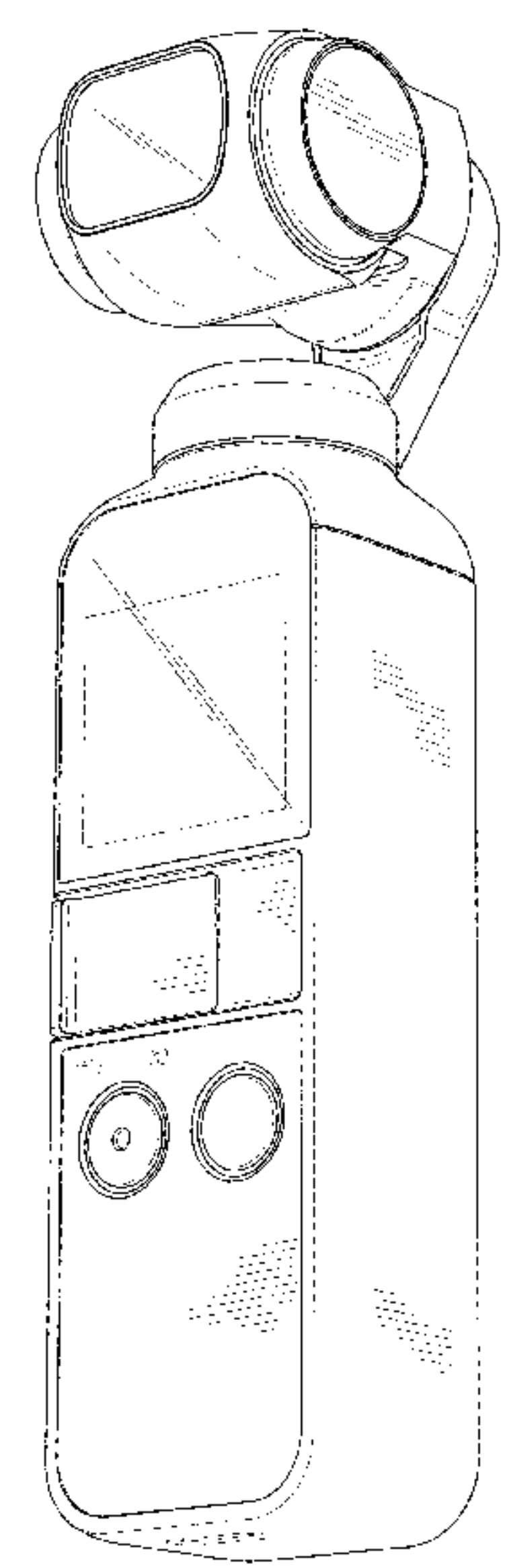
(Continued)

Primary Examiner — Sandra S Snapp
Assistant Examiner — Ieisha N Price
(74) *Attorney, Agent, or Firm* — Sterne, Kessler,
Goldstein & Fox P.L.L.C.

(57) **CLAIM**
The ornamental design for a stabilized camera device, as shown and described.

DESCRIPTION
FIG. 1 is a bottom front perspective view of a stabilized camera device showing the claimed design;
FIG. 2 is a top rear perspective view thereof;
FIG. 3 is a front view thereof;
FIG. 4 is a rear view thereof;
FIG. 5 is a left side view thereof;
FIG. 6 is a right side view thereof;
FIG. 7 is a top view thereof; and,
FIG. 8 is a bottom view thereof.
The broken lines in the figures show portions of the stabilized camera device that form no part of the claimed design.

1 Claim, 5 Drawing Sheets



(56)

References Cited

U.S. PATENT DOCUMENTS

2015/0261070 A1* 9/2015 Feng G03B 17/561
396/421
2015/0362122 A1* 12/2015 Brown F16M 11/041
348/208.2
2016/0381271 A1* 12/2016 Cheng F16M 11/041
348/208.2
2017/0064176 A1* 3/2017 Kim F16M 11/18
2017/0307136 A1* 10/2017 Wei F16M 11/12
2019/0137852 A1* 5/2019 Li F16M 11/08

* cited by examiner

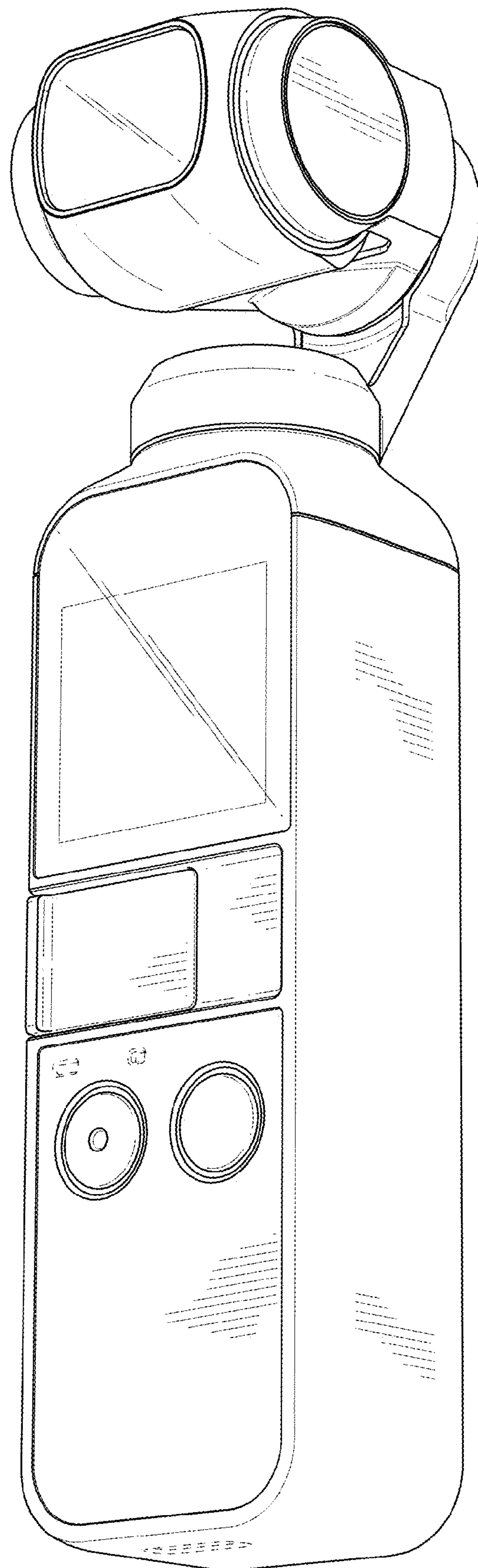


FIG. 1

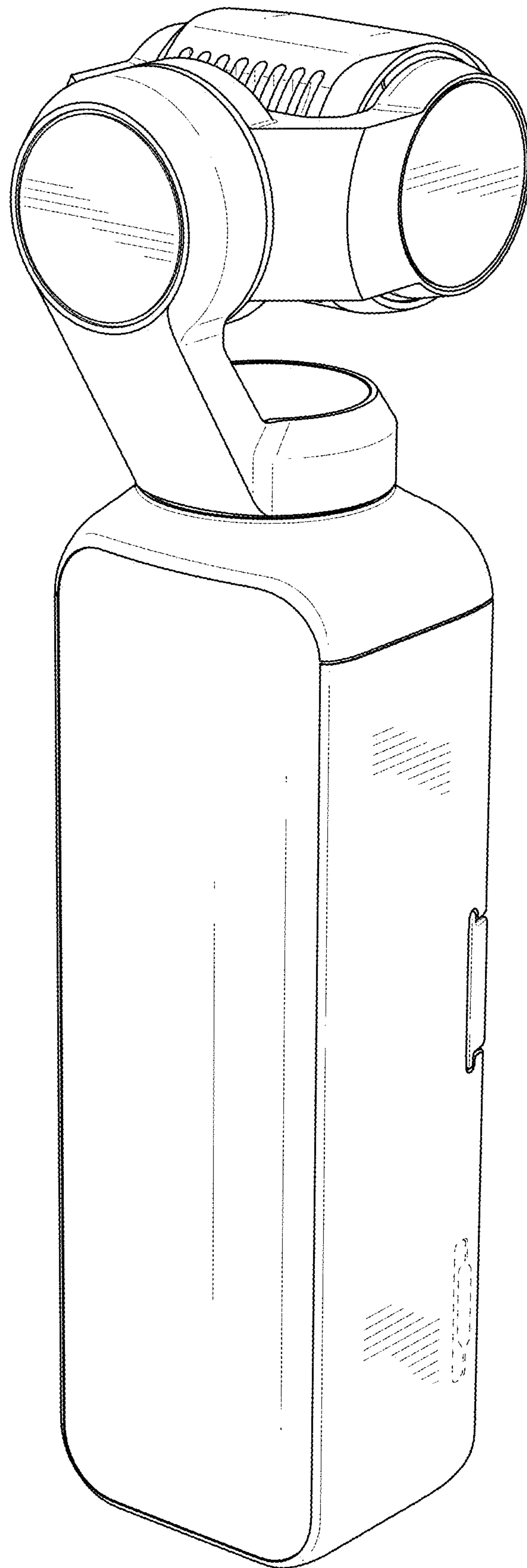


FIG. 2

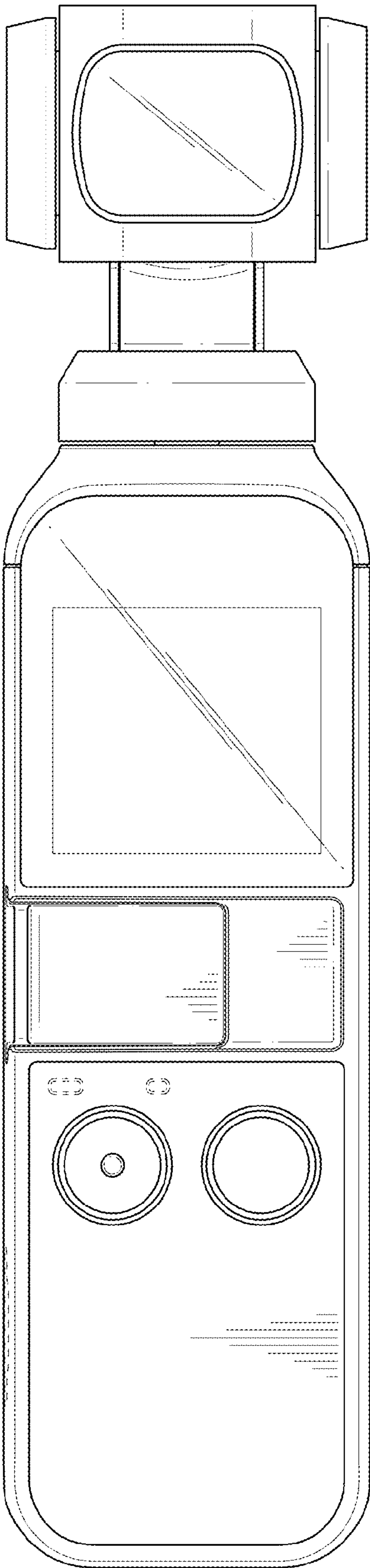


FIG. 3

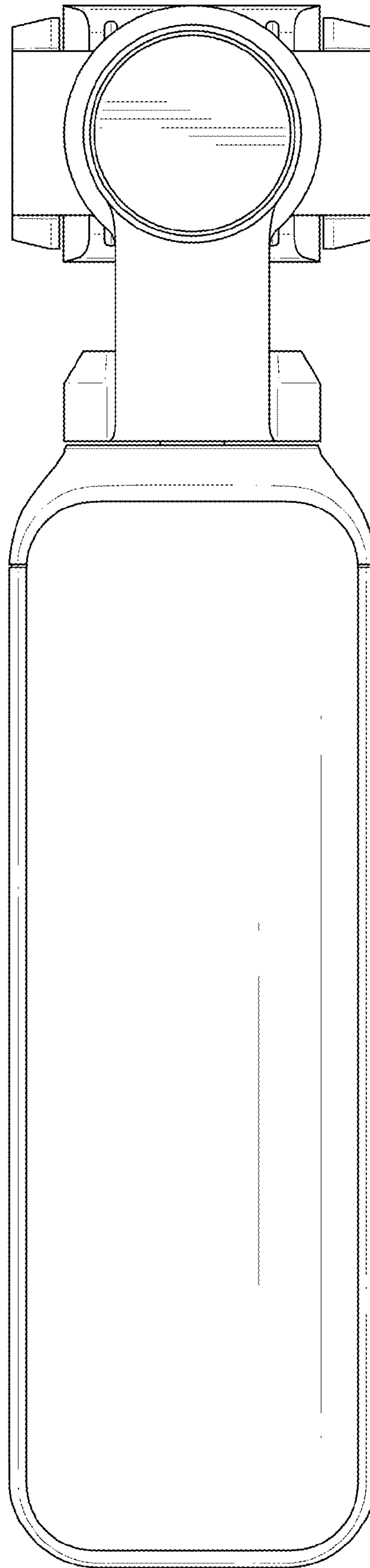


FIG. 4

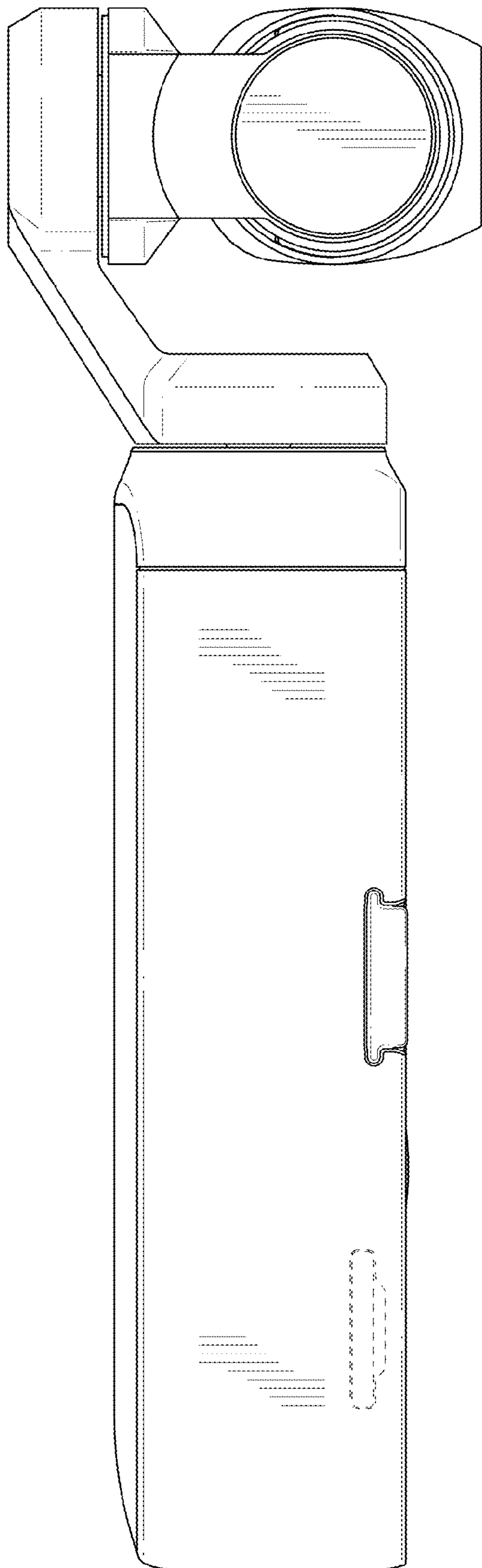


FIG. 5

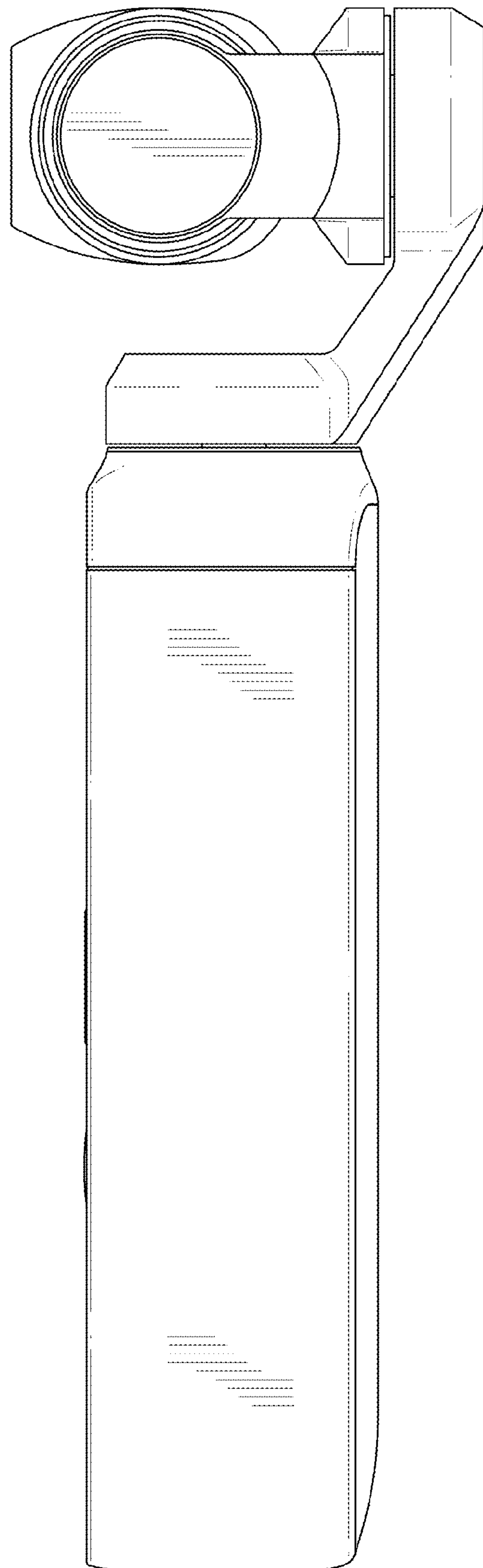


FIG. 6

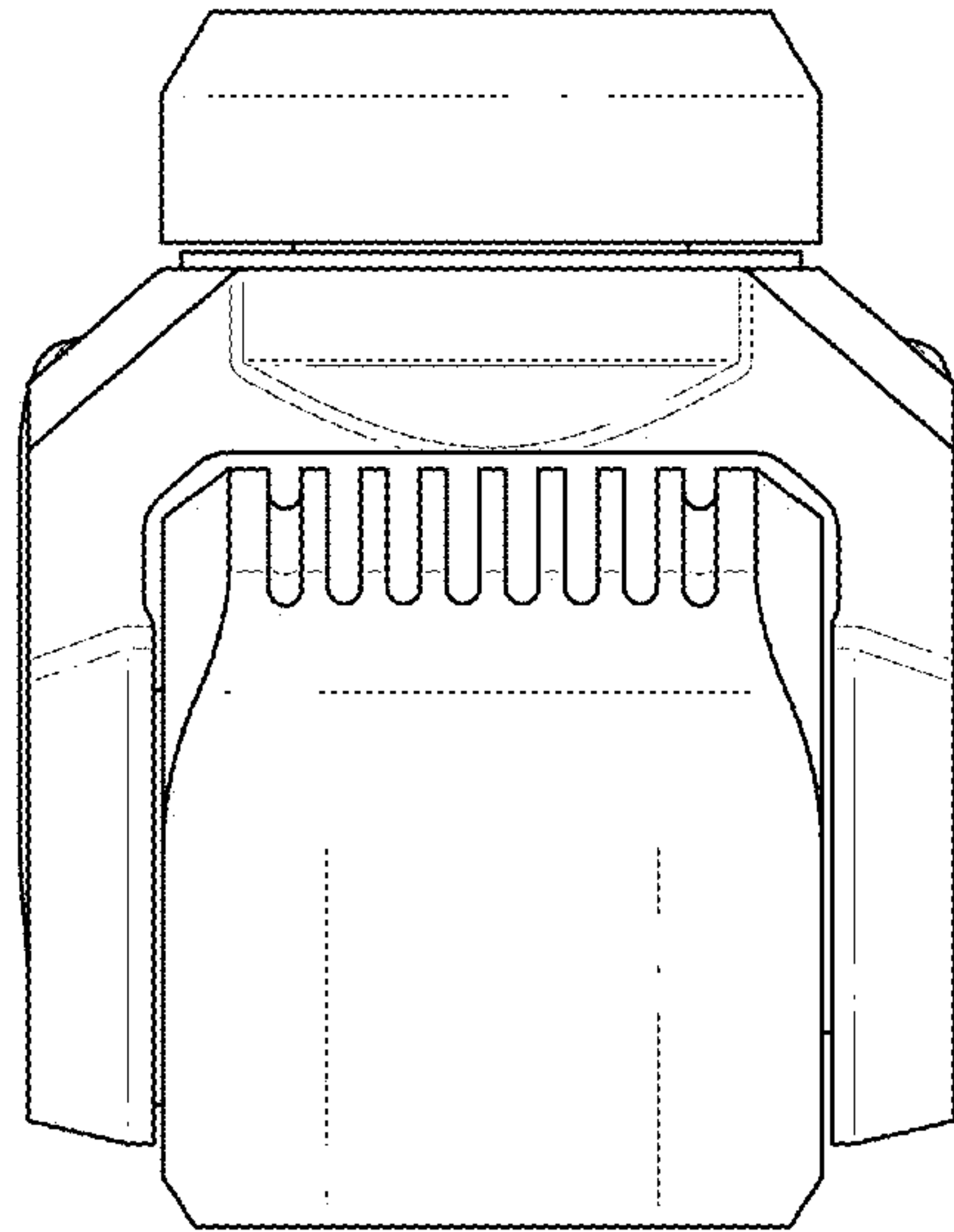


FIG. 7

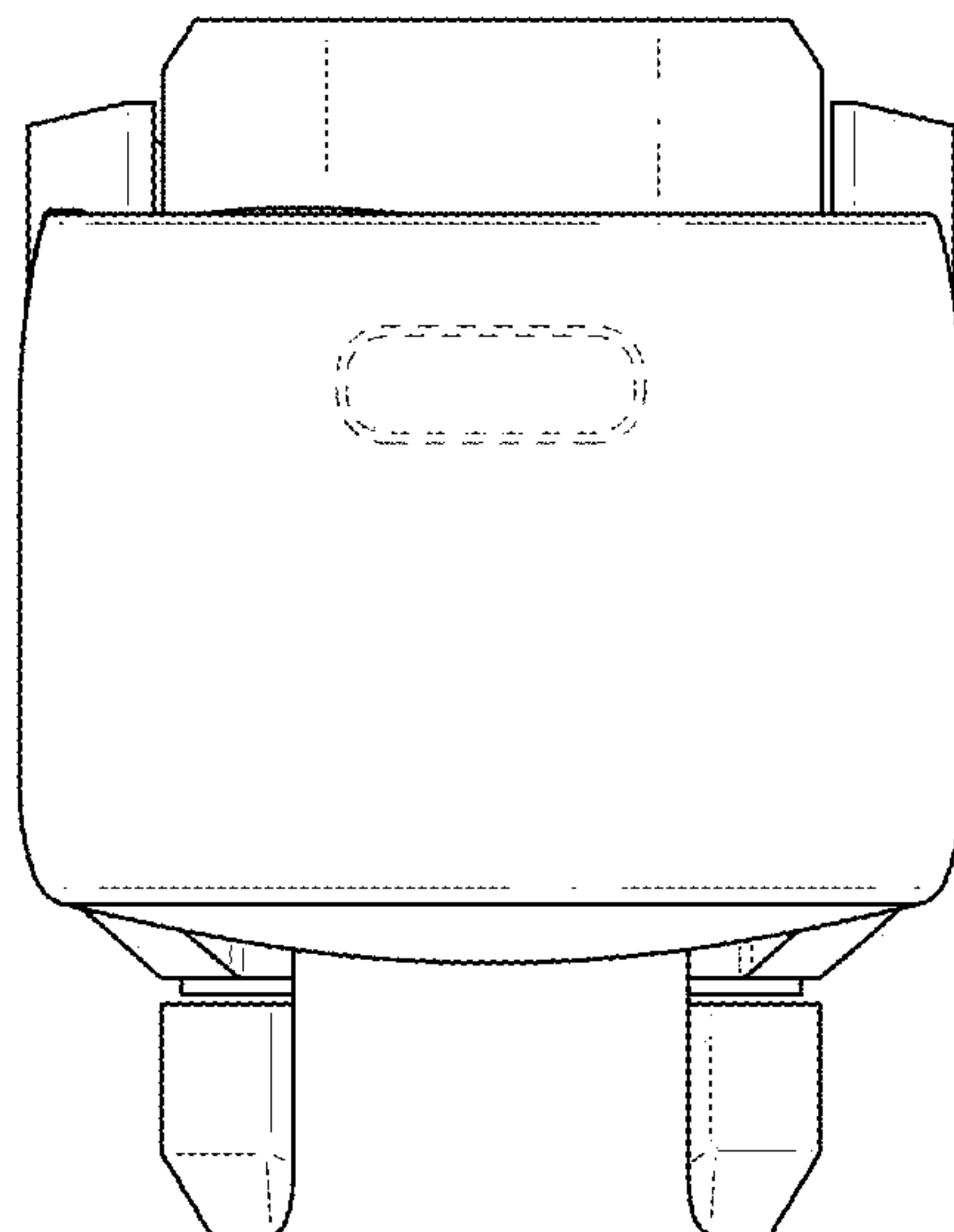


FIG. 8