



US00D874536S

(12) **United States Design Patent**  
**Park et al.**

(10) **Patent No.:** **US D874,536 S**  
(45) **Date of Patent:** **\*\* Feb. 4, 2020**

(54) **SURVEILLANCE CAMERA**

D627,815 S 11/2010 Oba  
D746,350 S \* 12/2015 Li ..... D16/203  
D746,889 S \* 1/2016 Moon ..... D16/203

(71) Applicant: **Hanwha Techwin Co., Ltd.**,  
Seongnam-si (KR)

(Continued)

(72) Inventors: **Mun Jun Park**, Seongnam-si (KR);  
**Joo Young Shin**, Seongnam-si (KR)

FOREIGN PATENT DOCUMENTS

CN 303628620 \* 3/2016  
CN 304317984 \* 10/2017

(Continued)

(73) Assignee: **HANWHA TECHWIN CO., LTD.**,  
Seongnam-si (KR)

OTHER PUBLICATIONS

(\*\*) Term: **15 Years**

INQMEGA Wireless Powered Battery Camera, date unavailable  
[online], [retrieved Sep. 23, 2019], URL: [https://www.lightinthebox.com/en/p/inqmega-wireless-powered-battery-camera-home-security-1080p-mini-ip-camera-wifi-night-vision-camera-rechargeable-pir-audio-alarm\\_p7616137.html?category\\_id=5181&prm=1.2.1.1.\\*](https://www.lightinthebox.com/en/p/inqmega-wireless-powered-battery-camera-home-security-1080p-mini-ip-camera-wifi-night-vision-camera-rechargeable-pir-audio-alarm_p7616137.html?category_id=5181&prm=1.2.1.1.*)

(Continued)

(21) Appl. No.: **29/655,430**

(22) Filed: **Jul. 3, 2018**

(30) **Foreign Application Priority Data**

Jan. 3, 2018 (KR) ..... 30-2018-0000420

(51) **LOC (12) Cl.** ..... **16-01**

(52) **U.S. Cl.**  
USPC ..... **D16/203; D10/104.1**

(58) **Field of Classification Search**  
USPC ..... D16/200–220, 131, 237, 242, 239, 250,  
D16/235, 130, 134, 136, 238;  
D14/138 C, 240, 248, 203.1, 203.3, 203.7,  
D14/218, 207; D10/104.1, 50, 65, 74,  
D10/70, 118.2

CPC . G02B 7/02; G02B 7/021; G02B 7/04; G02B  
7/14; G02B 7/003; G03B 17/00; G03B  
17/02; G03B 17/56; G03B 17/04; G03B  
17/14; G03B 17/08; G03B 15/03; G03B  
15/06; H04N 5/2251; H04N 5/2252;  
H04N 5/2253; H04N 5/2254; H04N 7/00;  
H04N 2101/00; F16M 13/00

See application file for complete search history.

(56) **References Cited**

U.S. PATENT DOCUMENTS

D481,374 S \* 10/2003 Lee ..... D14/188  
D490,069 S \* 5/2004 Lee ..... D14/188

*Primary Examiner* — T Chase Nelson

*Assistant Examiner* — Mary Claire Ramirez

(74) *Attorney, Agent, or Firm* — Sughrue Mion, PLLC

(57) **CLAIM**

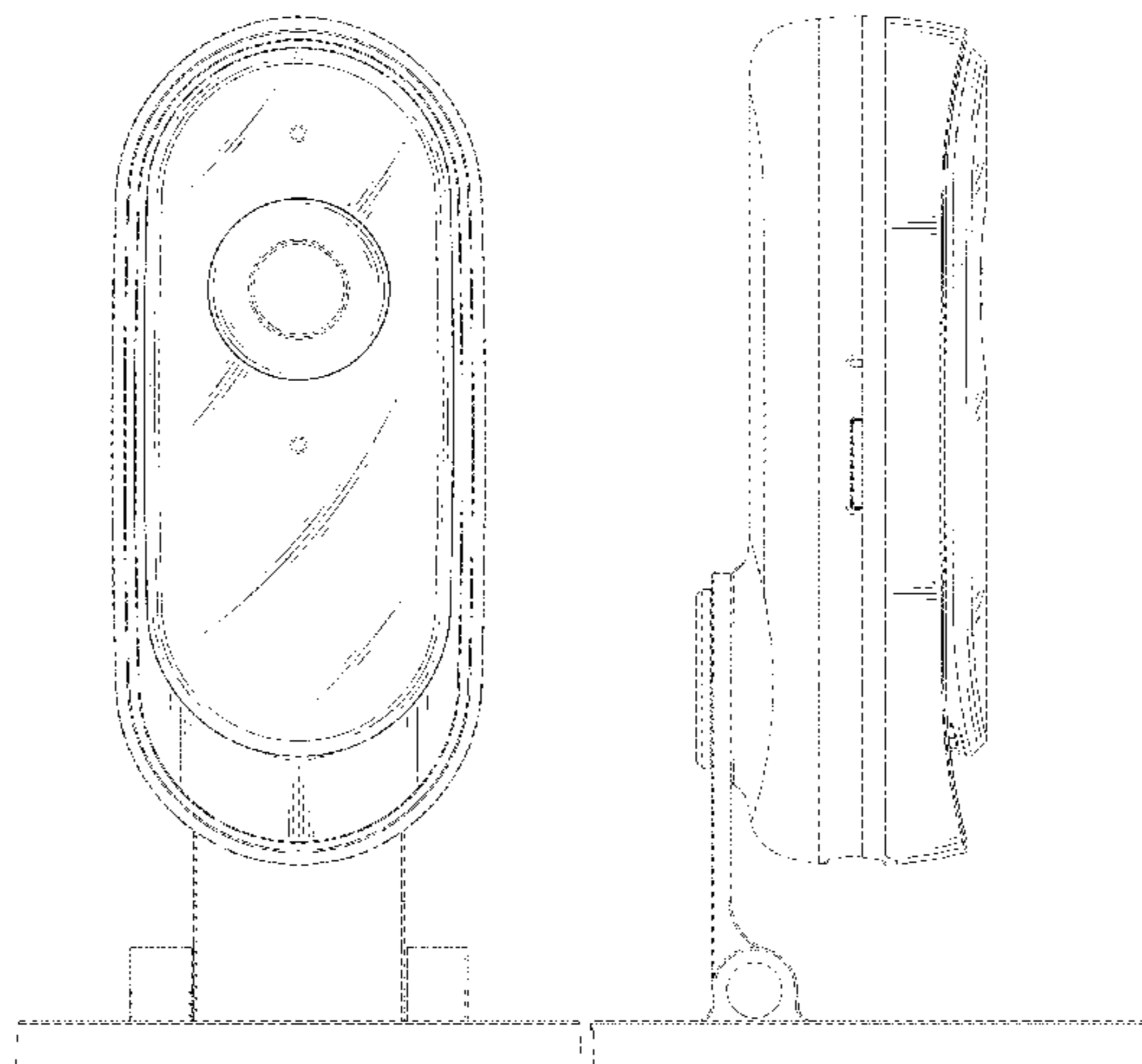
The ornamental design for a surveillance camera, as shown and described.

**DESCRIPTION**

FIG. 1 is a front perspective view of a surveillance camera showing the new design;  
FIG. 2 is a front view thereof;  
FIG. 3 is a rear view thereof;  
FIG. 4 is a left side view thereof;  
FIG. 5 is a right side view thereof;  
FIG. 6 is a top view thereof; and,  
FIG. 7 is a bottom view thereof.

The broken lines shown in the drawings depict portions of the surveillance camera that form no part of the claimed

(Continued)



design. The dot-dash broken lines shown in the drawings depict the boundaries of the claimed design and form no part of the claimed design.

**1 Claim, 6 Drawing Sheets**

D848,891 S \* 5/2019 Paredes ..... D10/118.2  
D849,077 S \* 5/2019 Tian ..... D16/202  
D853,464 S \* 7/2019 Moon ..... D16/219  
D855,484 S \* 8/2019 Plested ..... D10/104.1  
2015/0022620 A1\* 1/2015 Siminoff ..... H04M 11/025  
348/14.02  
2017/0085757 A1\* 3/2017 Ramones ..... H04N 5/2252

(56)

**References Cited**

U.S. PATENT DOCUMENTS

D785,067 S \* 4/2017 Ramones ..... D16/203  
D788,834 S \* 6/2017 Bhattacharya ..... D16/203  
D789,363 S 6/2017 Jentz et al.  
D794,694 S \* 8/2017 Liu ..... D16/203  
D798,360 S \* 9/2017 Jeong ..... D16/203  
D805,570 S \* 12/2017 Shi ..... D16/202  
D806,154 S \* 12/2017 Shi ..... D16/202  
D808,363 S \* 1/2018 Li ..... D14/209.1  
D810,168 S \* 2/2018 Shi ..... D16/202  
D813,925 S \* 3/2018 Park ..... D16/203  
D830,872 S \* 10/2018 Jacob ..... D10/118.2  
D835,701 S \* 12/2018 Song ..... D16/219  
D836,147 S \* 12/2018 Rao ..... D16/203  
D840,024 S \* 2/2019 Stonecipher ..... D24/112

FOREIGN PATENT DOCUMENTS

KR 300915848 S 7/2017  
KR 300962195.0000 \* 6/2018

OTHER PUBLICATIONS

LY-113 WiFi Video DoorBell, published 2018 [online], [retrieved Sep. 23, 2019], Available from Internet, URL: <http://www.szlongzy.com/html/20190415/55.html>.  
Wisenet SmartCam N1 and SmartCam N2, published Jan. 7, 2018 [online], [retrieved Sep. 23, 2019], Available from Internet, URL: <https://www.wisenetlife.com/en-us/news/News/?seq=159>.  
John R. Delaney; "Nest Hello", PCMag UK, Apr. 2, 2018, Total 8 pages.

\* cited by examiner

FIG. 1

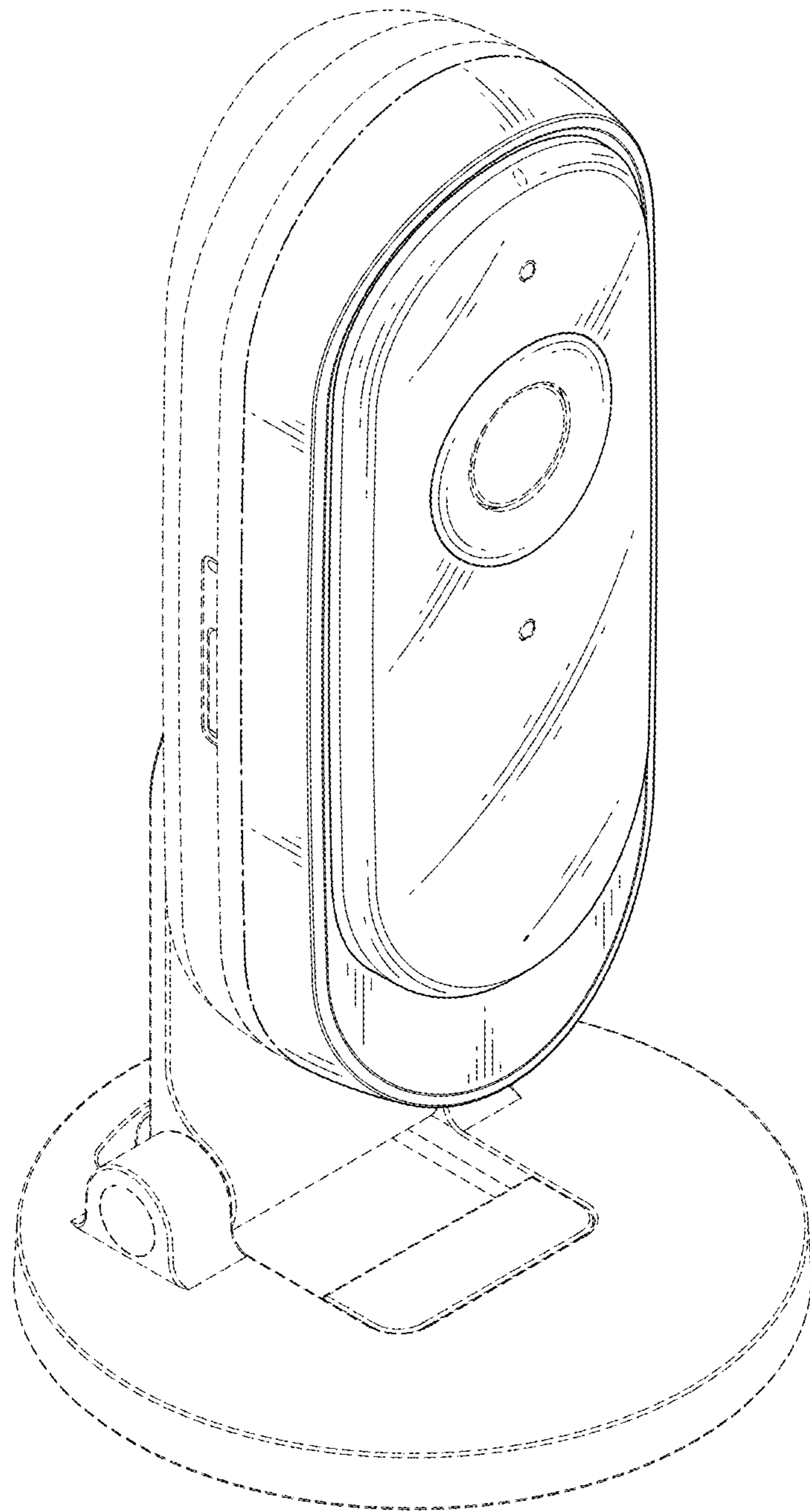


FIG. 2

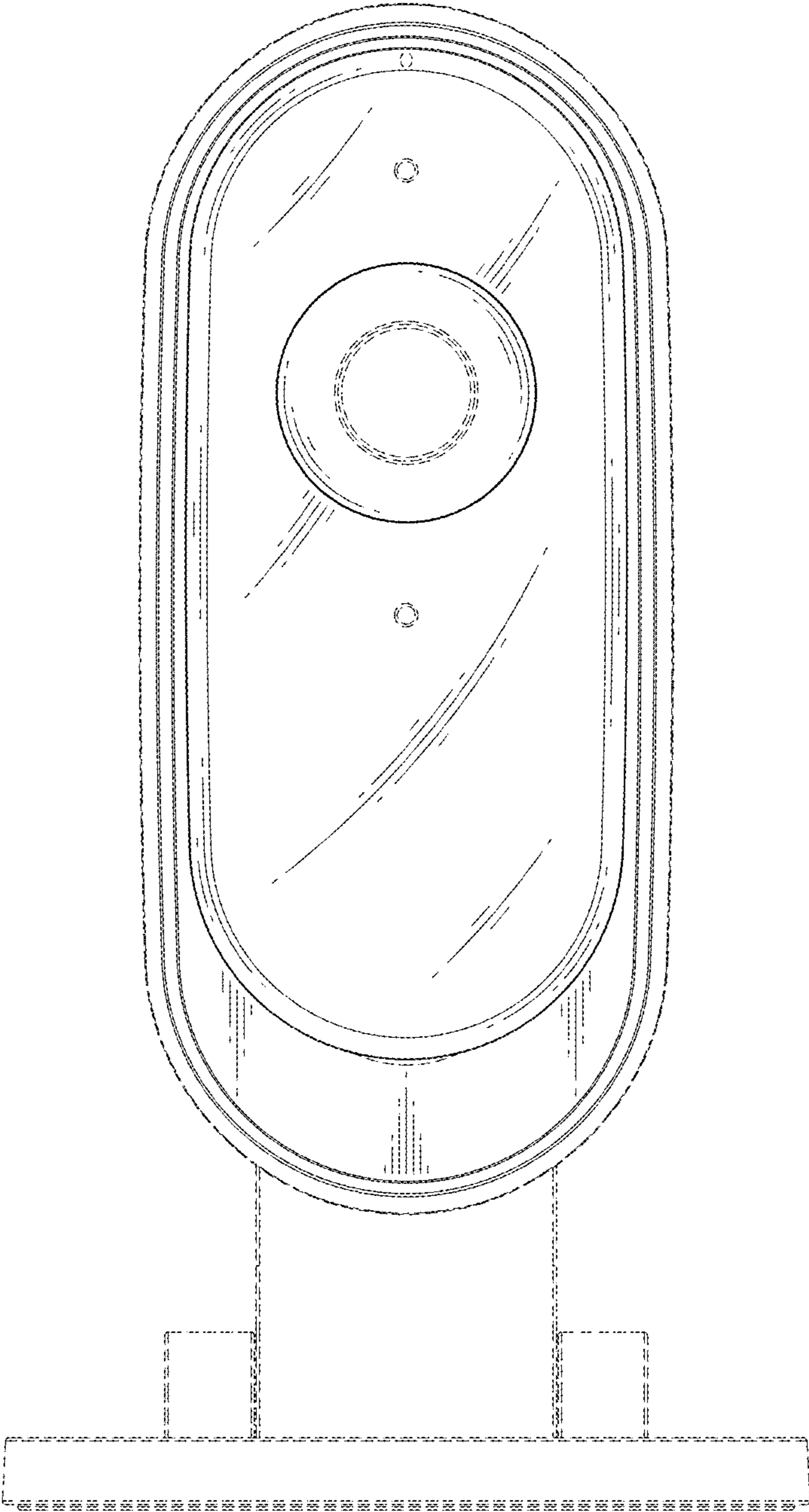


FIG. 3

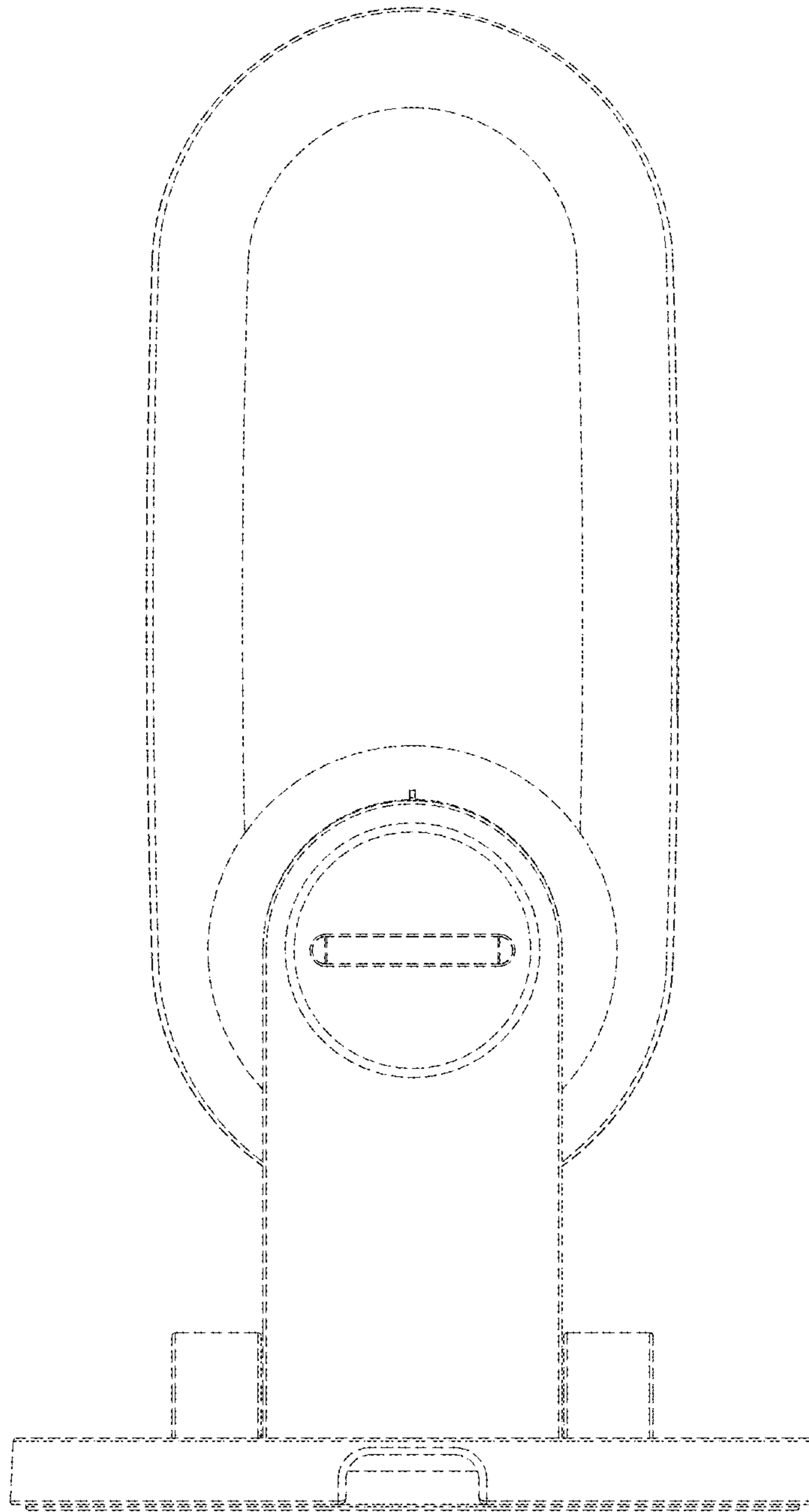


FIG. 4

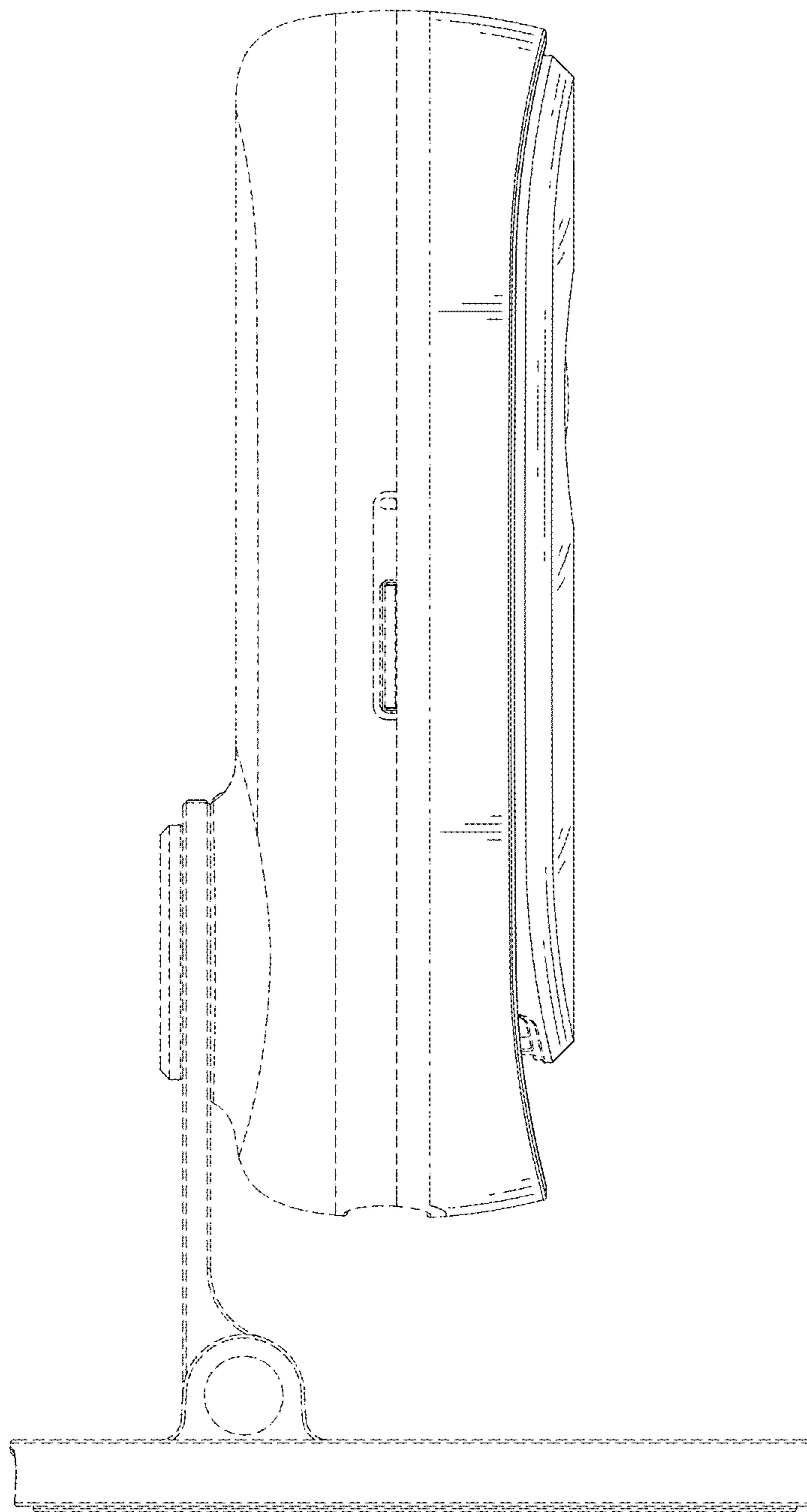


FIG. 5

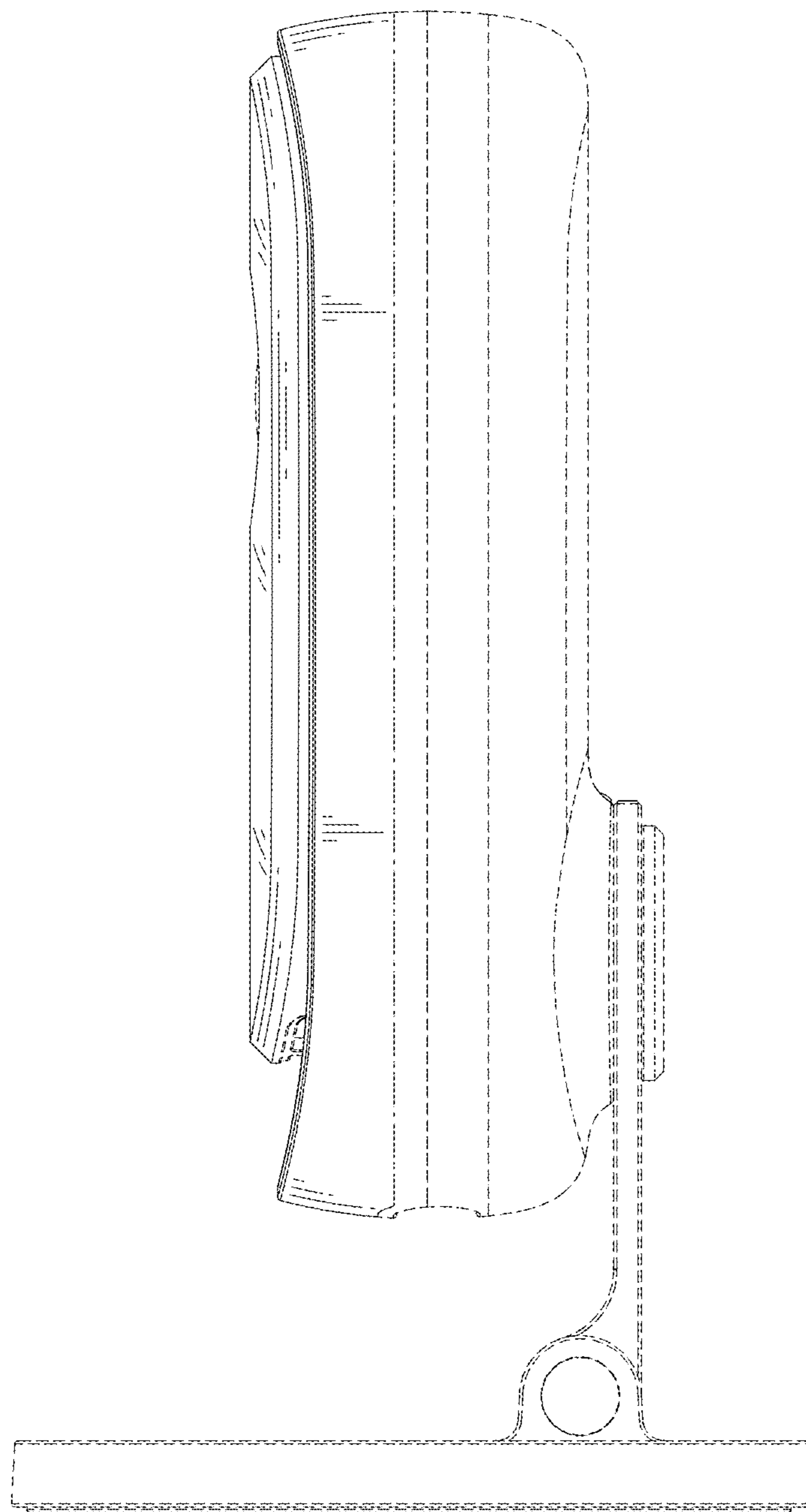


FIG. 6

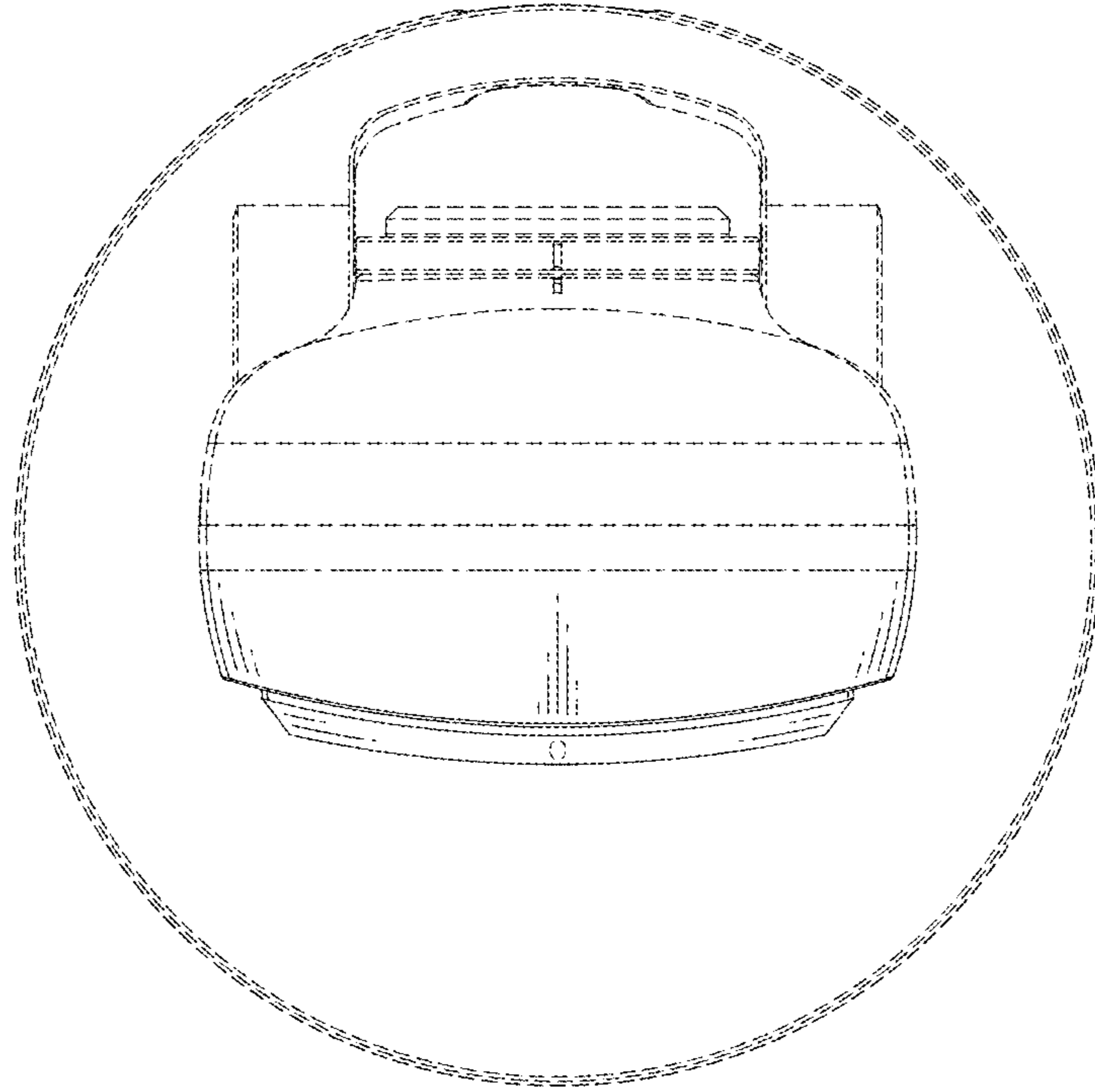


FIG. 7

