



US00D874535S

(12) **United States Design Patent**
Park

(10) **Patent No.:** **US D874,535 S**

(45) **Date of Patent:** **** Feb. 4, 2020**

(54) **SURVEILLANCE CAMERA**

(71) Applicant: **Hanwha Techwin Co., Ltd.**,
Seongnam-si (KR)

(72) Inventor: **Ho Jin Park**, Seongnam-si (KR)

(73) Assignee: **HANWHA TECHWIN CO., LTD.**,
Seongnam-si (KR)

(**) Term: **15 Years**

(21) Appl. No.: **29/655,412**

(22) Filed: **Jul. 3, 2018**

(30) **Foreign Application Priority Data**

Jan. 3, 2018 (KR) 30-2018-0000419

(51) **LOC (12) Cl.** **16-01**

(52) **U.S. Cl.**
USPC **D16/203**

(58) **Field of Classification Search**
USPC D16/200–220, 131, 237, 242, 239, 250,
D16/235, 130, 134, 136, 238;
D14/138 C, 240, 248, 203.1, 203.3, 203.7,
D14/218, 207; D10/104.1, 50, 65, 74,
D10/70, 118.2
CPC . G02B 7/02; G02B 7/021; G02B 7/04; G02B
7/14; G02B 7/003; G03B 17/00; G03B
17/02; G03B 17/56; G03B 17/04; G03B
17/14; G03B 17/08; G03B 15/03; G03B
15/06; H04N 5/2251; H04N 5/2252;
H04N 5/2253; H04N 5/2254; H04N 7/00;
H04N 2101/00; F16M 13/00

See application file for complete search history.

(56) **References Cited**

U.S. PATENT DOCUMENTS

D400,995 S * 11/1998 LaRosa D26/63
D481,374 S * 10/2003 Lee D14/188
D490,069 S * 5/2004 Lee D14/188

D510,584 S * 10/2005 Tierney D14/203.6
D548,749 S * 8/2007 Schmidt D14/496
D562,779 S * 2/2008 Lamoree D13/171
D627,815 S * 11/2010 Oba D16/202
D658,799 S * 5/2012 Levine D26/63

(Continued)

FOREIGN PATENT DOCUMENTS

CN 304619908 * 5/2018
JP D1477943 S 8/2013

(Continued)

OTHER PUBLICATIONS

PNM-9000VD, published 2019 [online], [retrieved Sep. 23, 2019],
Available from Internet, URL: <https://www.hanwhasecurity.com/products/security-cameras/network-cameras/multi-sensor-multi-directional/pnm-9000vd.html>.*

(Continued)

Primary Examiner — T Chase Nelson

Assistant Examiner — Mary Claire Ramirez

(74) *Attorney, Agent, or Firm* — Sughrue Mion, PLLC

(57) **CLAIM**

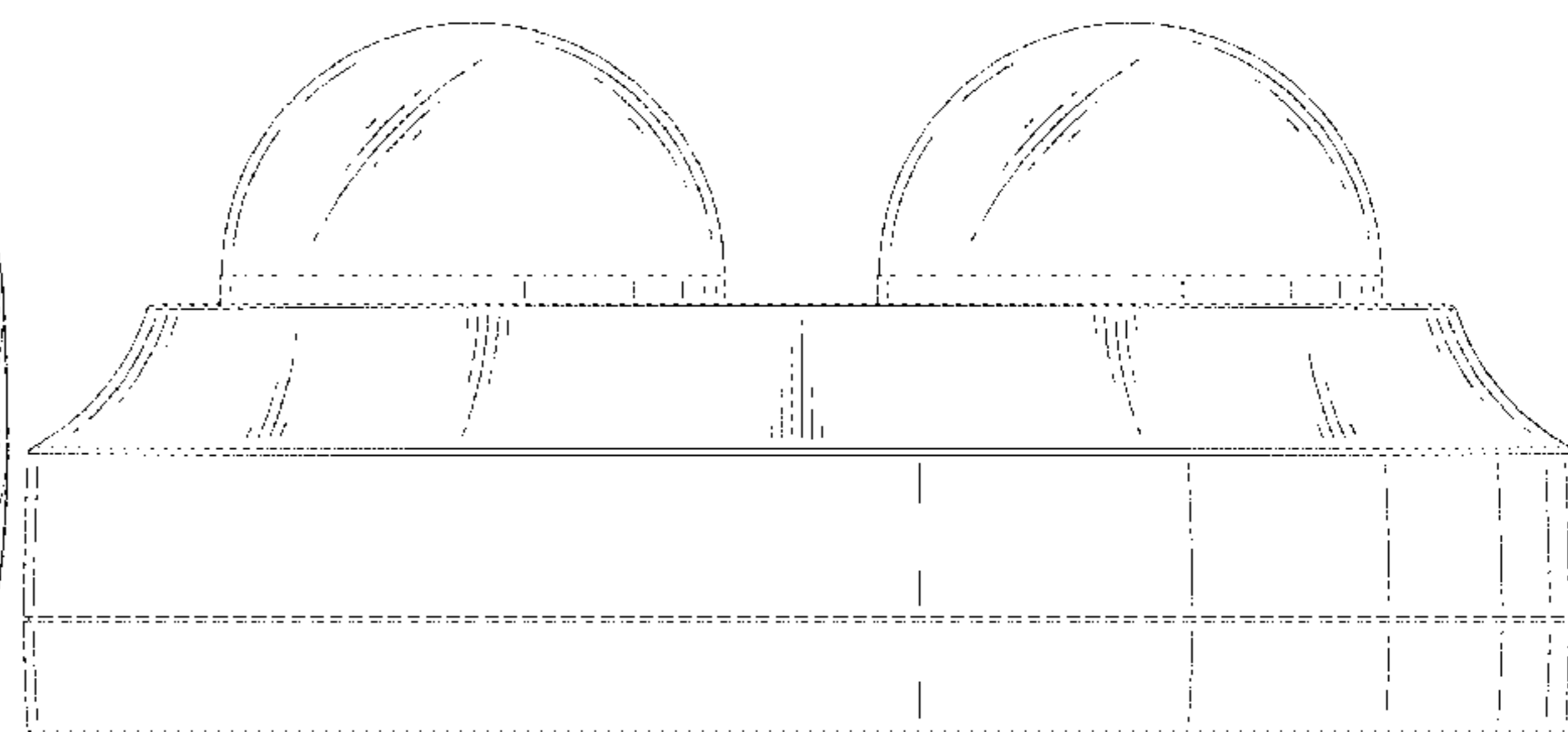
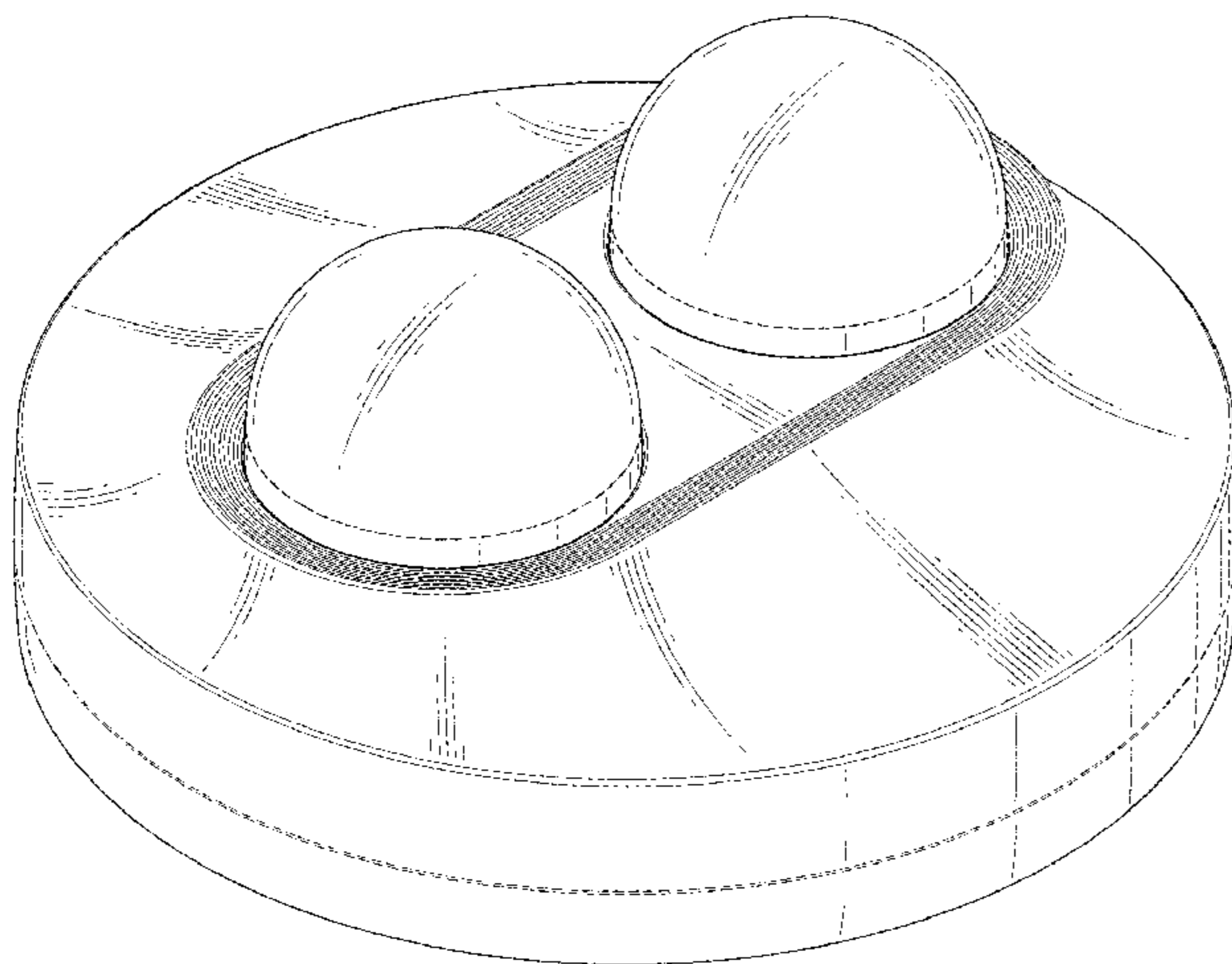
The ornamental design for a surveillance camera, as shown
and described.

DESCRIPTION

FIG. 1 is a front perspective view of a surveillance camera
showing the new design;
FIG. 2 is a front view thereof;
FIG. 3 is a rear view thereof;
FIG. 4 is a left side view thereof;
FIG. 5 is a right side view thereof;
FIG. 6 is a top view thereof; and,
FIG. 7 is a bottom view thereof.

The broken lines shown in the drawings depict portions of
the surveillance camera that form no part of the claimed
design.

1 Claim, 5 Drawing Sheets



(56)

References Cited

U.S. PATENT DOCUMENTS

D690,757 S * 10/2013 Bart D16/203
D709,117 S * 7/2014 Gan D16/202
D711,451 S * 8/2014 Katsuyama D16/208
D729,859 S * 5/2015 Shin D16/203
D769,956 S * 10/2016 Hinkel D16/203
D772,325 S * 11/2016 Hinkel D16/203
D788,834 S * 6/2017 Bhattacharya D16/203
D789,366 S * 6/2017 Jentz D14/218
D800,201 S * 10/2017 Song D16/202
D819,619 S * 6/2018 Li D14/240
D828,201 S * 9/2018 Jeong D10/118.2
D830,872 S * 10/2018 Jacob D10/118.2
D835,695 S * 12/2018 Hu D16/202
D835,701 S * 12/2018 Song D16/219
D836,640 S * 12/2018 Hou D14/433
D853,264 S * 7/2019 Laurans D10/118.2
D855,676 S * 8/2019 Emami D16/203
2011/0007133 A1* 1/2011 Imanishi G03B 17/00
348/42

2014/0049615 A1* 2/2014 Uwagawa H04N 5/2252
348/47
2015/0109422 A1* 4/2015 Weiss H04N 5/2253
348/48
2018/0106986 A1* 4/2018 Xu G02B 13/0015

FOREIGN PATENT DOCUMENTS

KR 30-0738480 S 4/2014
KR 30-0813265 S 9/2015
KR 30-0915008-0002 S 7/2017
KR 300962194.0000 * 6/2018

OTHER PUBLICATIONS

PNM-7000VD, published 2019, [retrieved Sep. 23, 2019], Available from Internet, URL: <https://www.hanwhasecurity.com/products/security-cameras/network-cameras/multi-sensor-multi-directional/pnm-7000vd.html>.*

* cited by examiner

FIG. 1

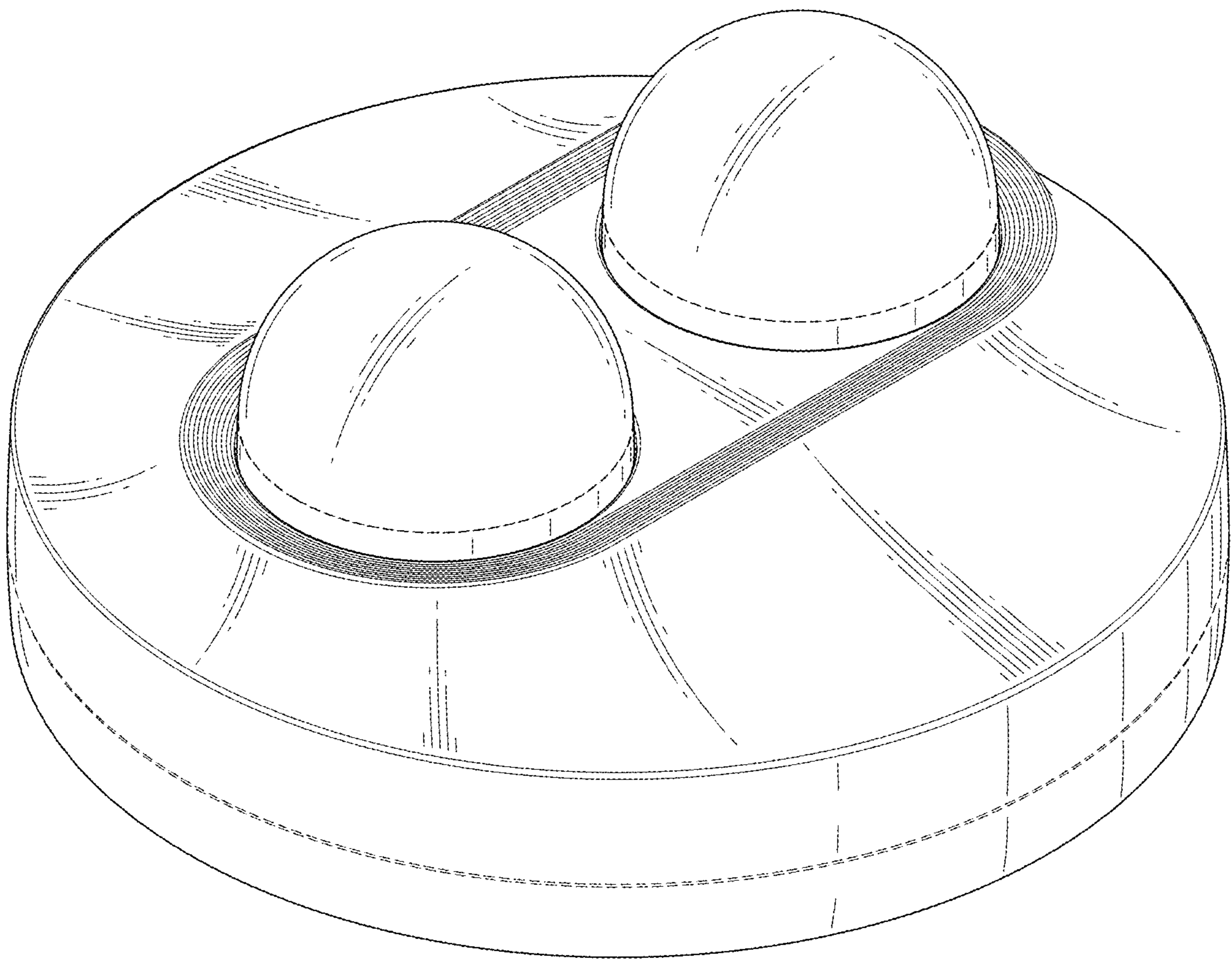


FIG. 2

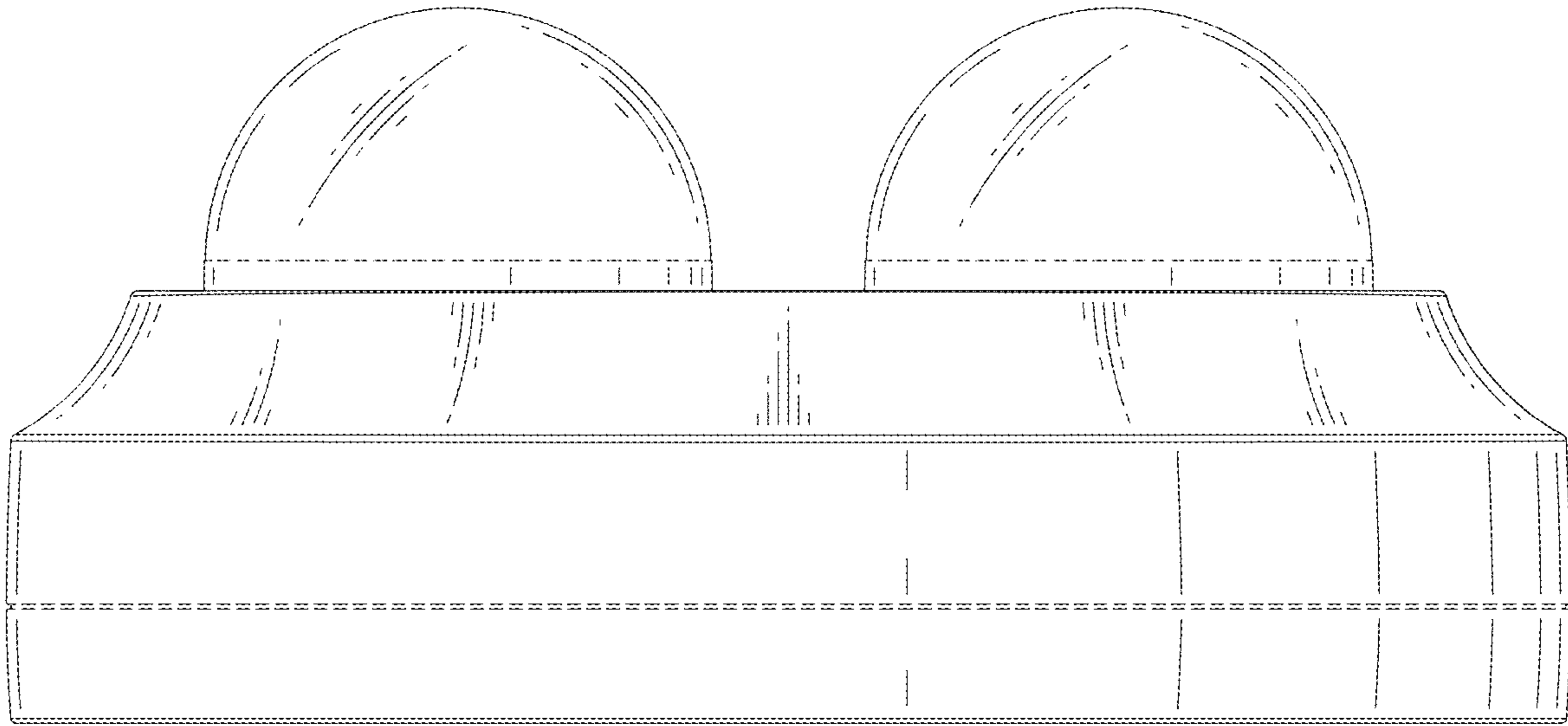


FIG. 3

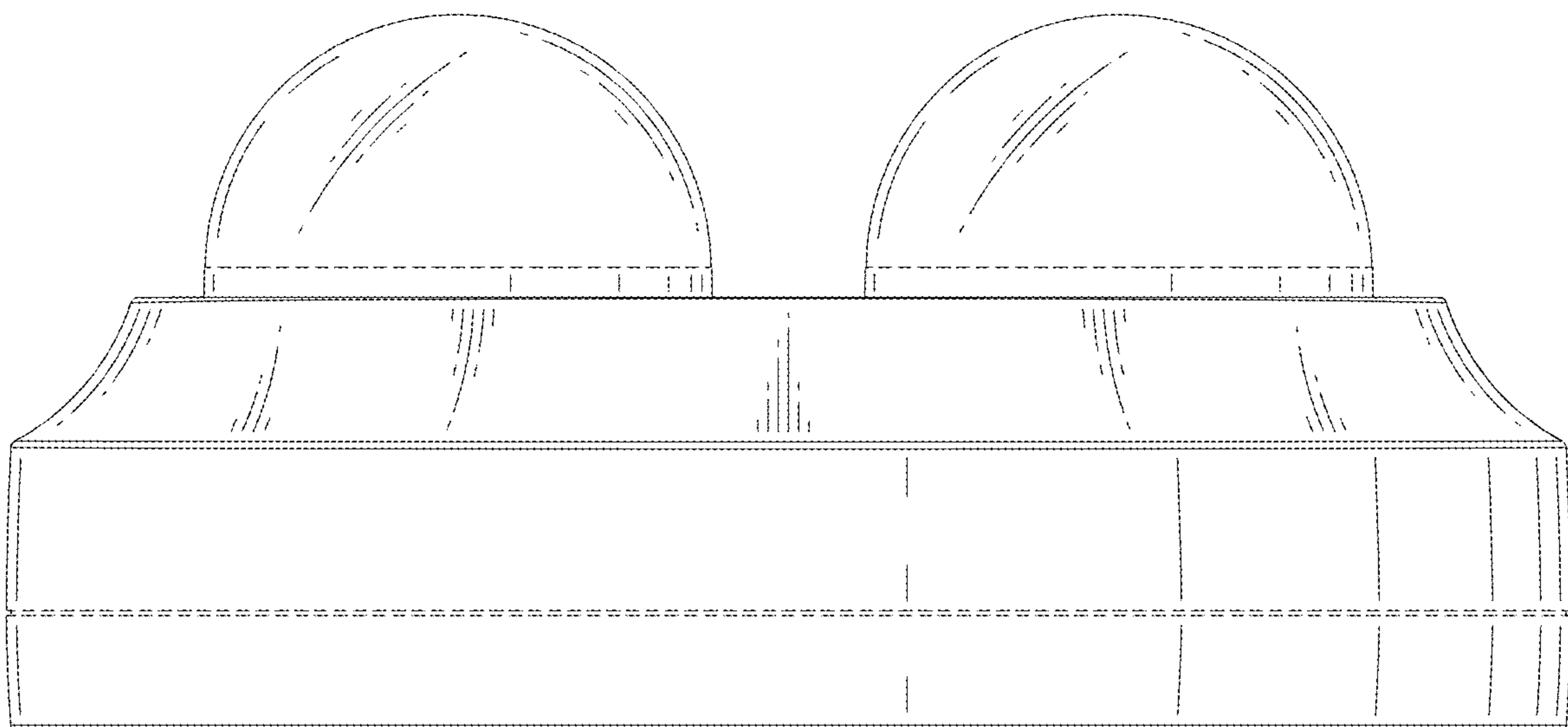


FIG. 4

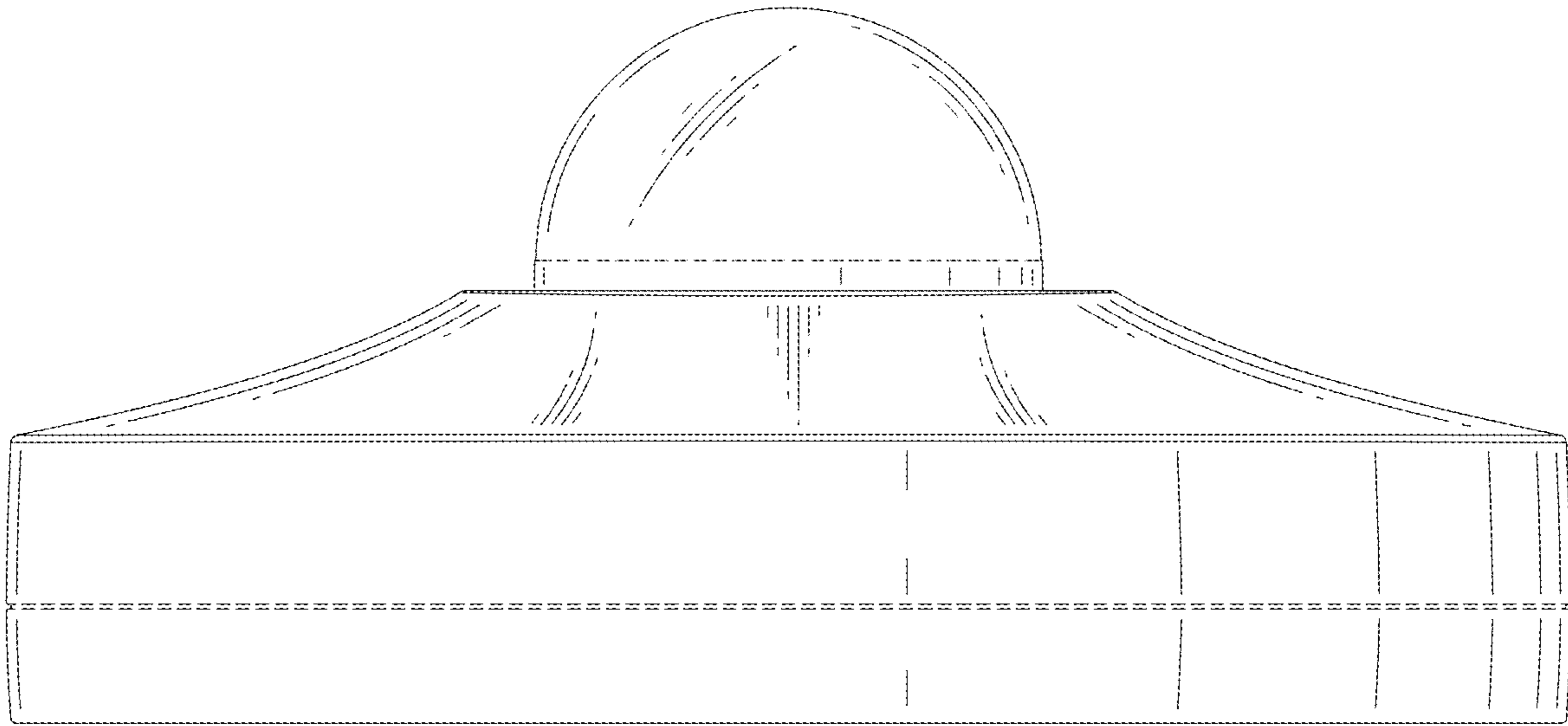


FIG. 5

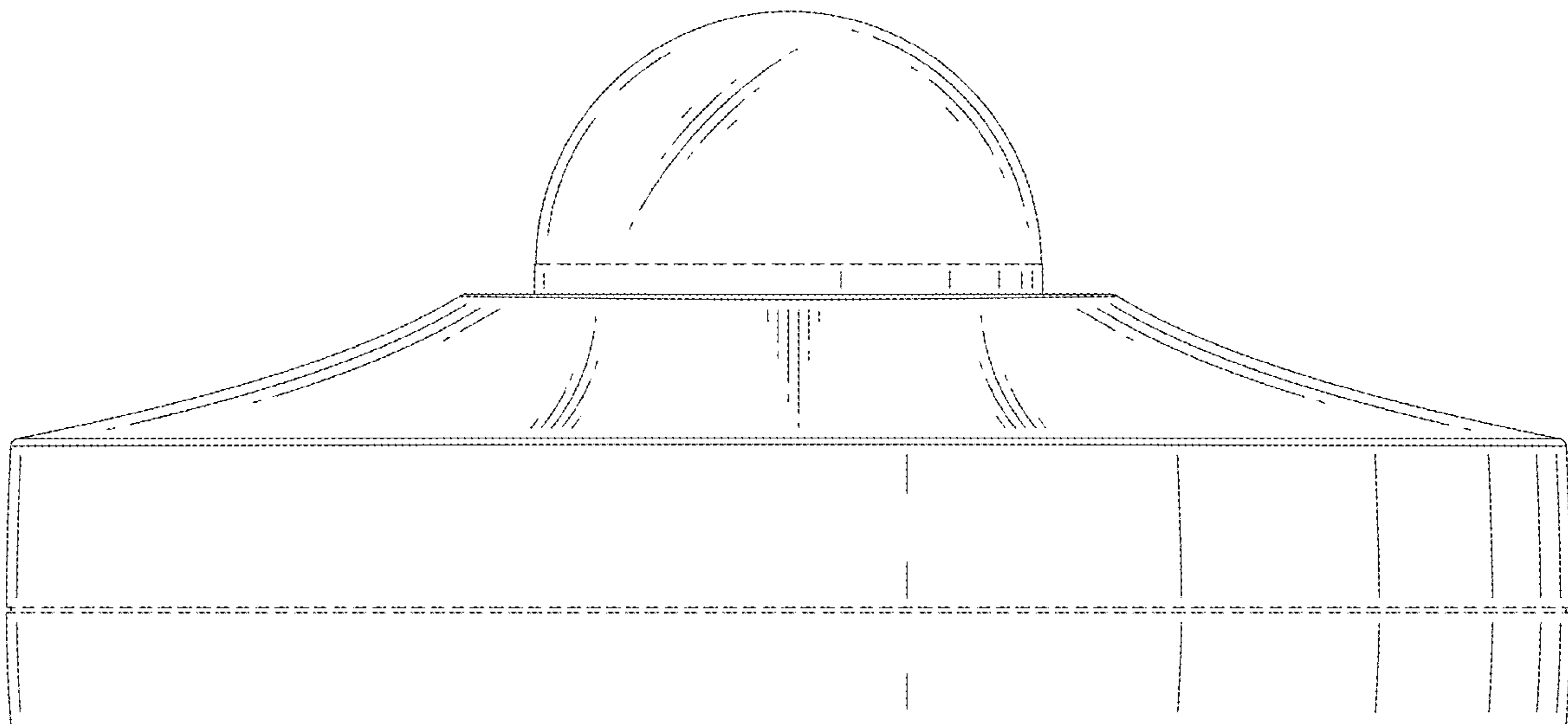


FIG. 6

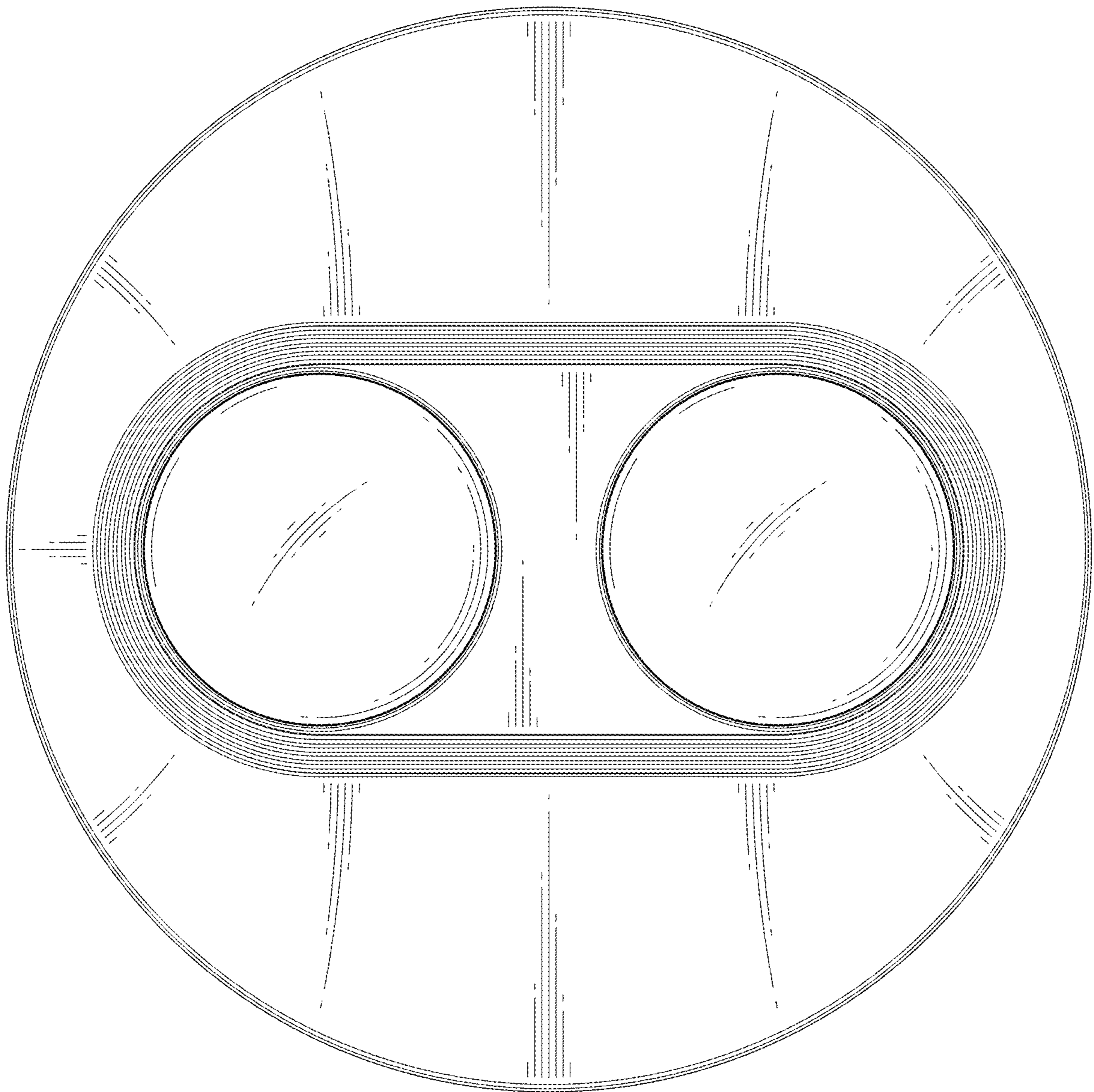


FIG. 7

