



US00D874534S

(12) **United States Design Patent**  
**Matsuo**

(10) **Patent No.:** **US D874,534 S**

(45) **Date of Patent:** **\*\* Feb. 4, 2020**

(54) **VIDEO CAMERA FOR INDUSTRIAL ROBOT**

(71) Applicant: **CANON KABUSHIKI KAISHA,**  
Tokyo (JP)

(72) Inventor: **Sadaharu Matsuo,** Tokyo (JP)

(73) Assignee: **Canon Kabushiki Kaisha,** Tokyo (JP)

(\*\*) Term: **15 Years**

(21) Appl. No.: **29/641,604**

(22) Filed: **Mar. 23, 2018**

(30) **Foreign Application Priority Data**

Sep. 28, 2017 (JP) ..... 2017-021225

(51) **LOC (12) Cl.** ..... **16-01**

(52) **U.S. Cl.**  
USPC ..... **D16/203; D16/202**

(58) **Field of Classification Search**  
USPC ..... D16/200, 202-208, 218, 219, 242;  
348/143, 148, 151, 373-376; 396/419,  
396/427, 535, 539-541; 248/176.1, 187.1  
CPC ..... G03B 17/02; G03B 19/04; G03B 17/56;  
G03B 17/04; G03B 15/03; H04N 5/2251;  
H04N 5/2252; H04N 5/2253; H04N  
5/2254; H04N 7/181; H04N 7/183; H04N  
7/18

See application file for complete search history.

(56) **References Cited**

**U.S. PATENT DOCUMENTS**

D366,271 S \* 1/1996 Hasegawa ..... D16/203  
D388,804 S \* 1/1998 Swayze ..... D16/202  
D524,347 S \* 7/2006 Takahashi ..... D16/202

D540,360 S \* 4/2007 Yamakawa ..... D16/203  
D613,784 S \* 4/2010 Wang ..... D16/203  
D618,717 S \* 6/2010 Frank ..... D16/203  
D633,543 S \* 3/2011 Park ..... D16/203  
D732,100 S \* 6/2015 Jeong ..... D16/203  
D732,597 S \* 6/2015 Celler ..... D16/203  
D739,888 S \* 9/2015 Liang ..... D16/203  
D768,749 S \* 10/2016 Koppetz ..... D16/202  
D792,919 S \* 7/2017 Ryu ..... D16/218  
D809,046 S \* 1/2018 Hatcher ..... D16/202

**OTHER PUBLICATIONS**

Copending, unpublished Design U.S. Appl. No. 35/503,265 by Masaaki Igarashi et al., filed Dec. 26, 2016.

\* cited by examiner

*Primary Examiner* — Ramzi S Almatrahi  
(74) *Attorney, Agent, or Firm* — Venable LLP

(57) **CLAIM**

The ornamental design for a video camera for industrial robot, as shown and described.

**DESCRIPTION**

FIG. 1 is a front view of a video camera for industrial robot showing my new design, the rear view being a mirror image thereof;

FIG. 2 is a top plan view thereof;

FIG. 3 is a bottom plan view thereof;

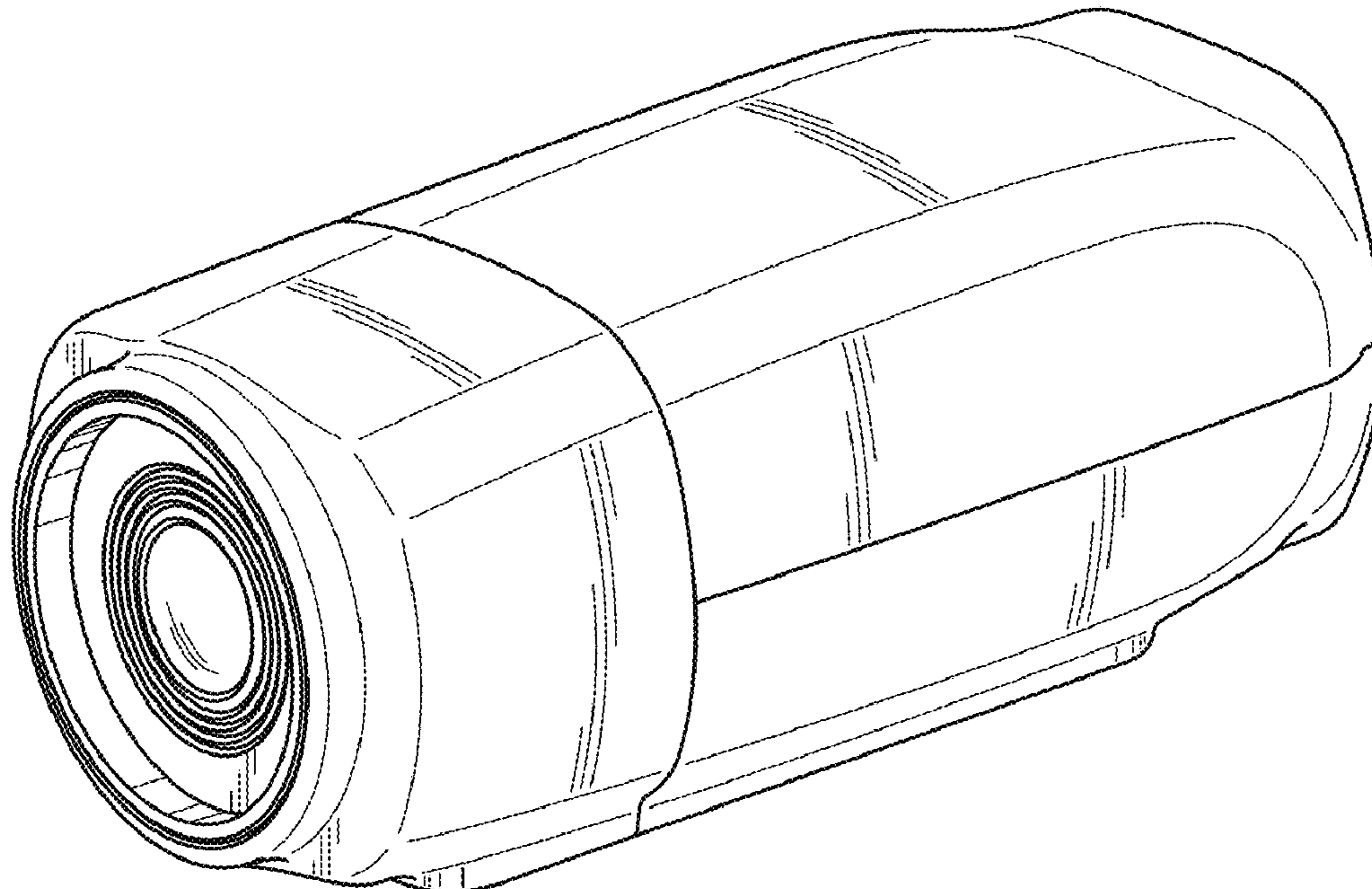
FIG. 4 is a left side view thereof;

FIG. 5 is a right side view thereof; and,

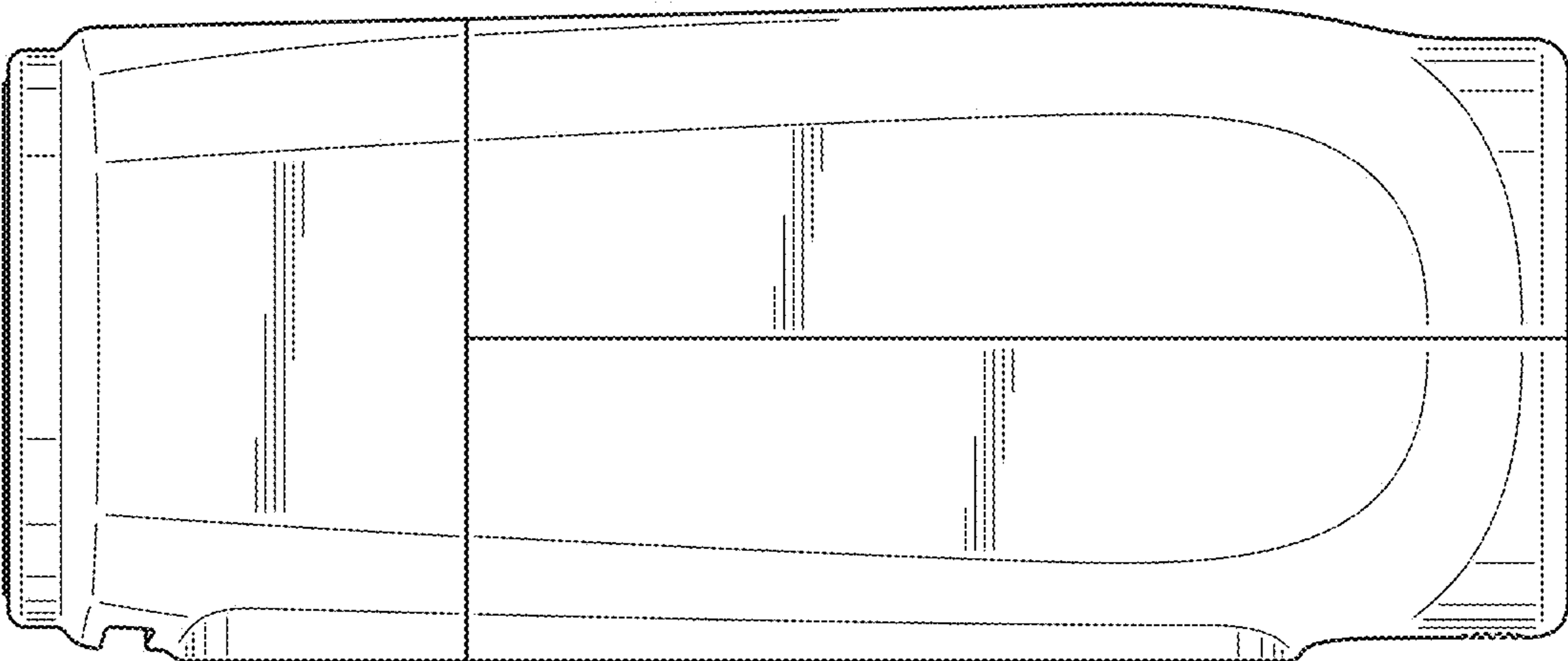
FIG. 6 is a front perspective view thereof.

The broken lines depict portions of the video camera for industrial robot in which the design is embodied that form no part of the claimed design.

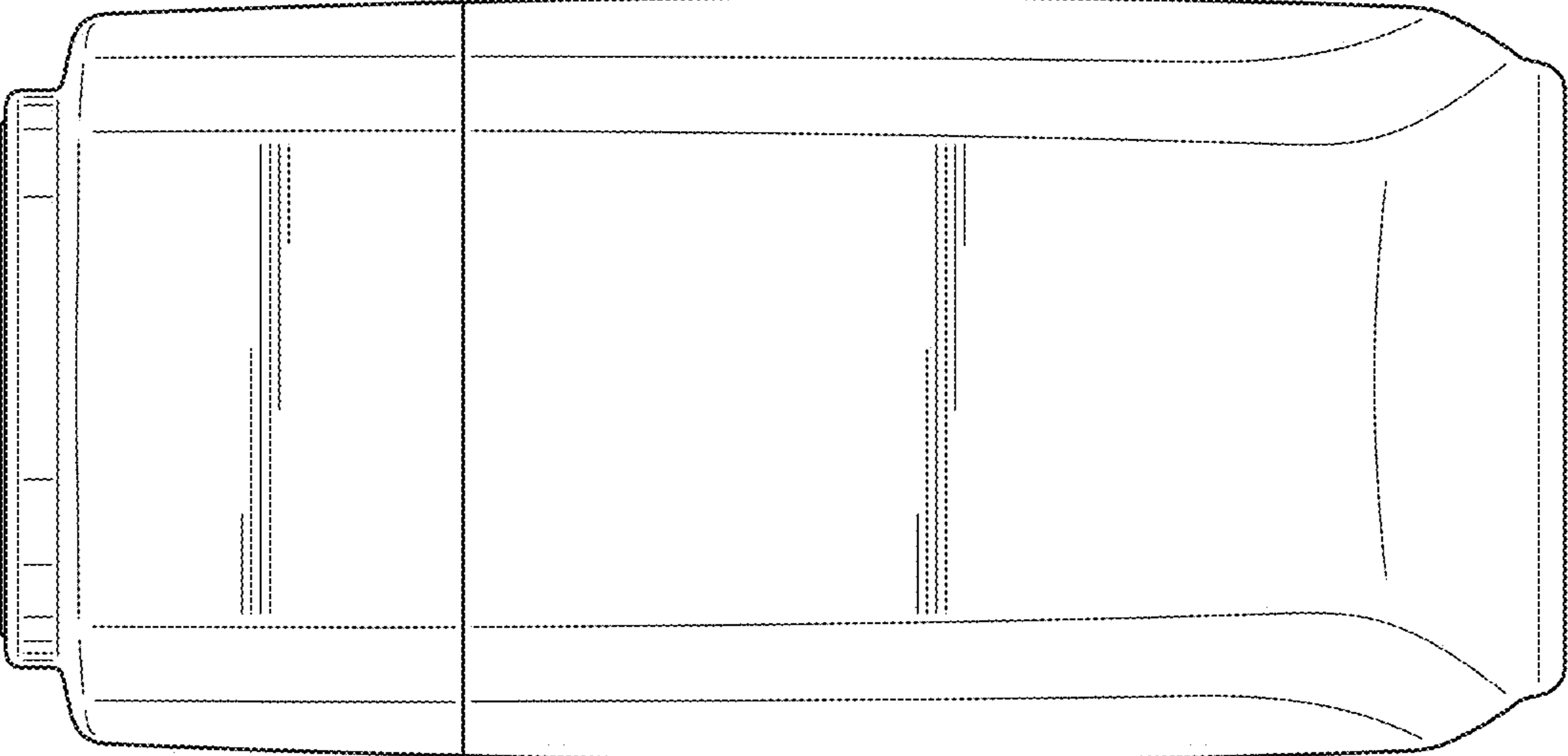
**1 Claim, 3 Drawing Sheets**



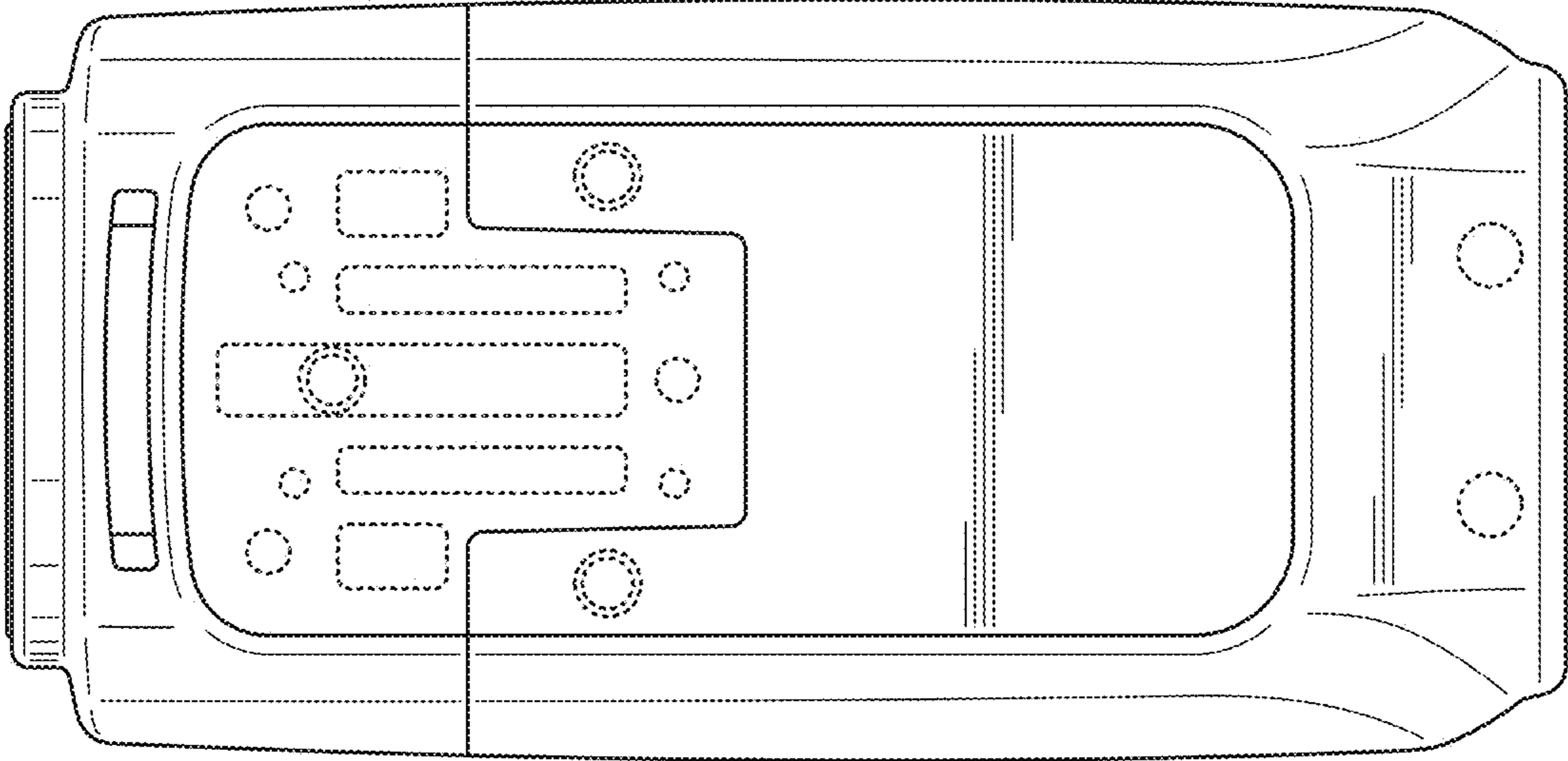
**FIG. 1**



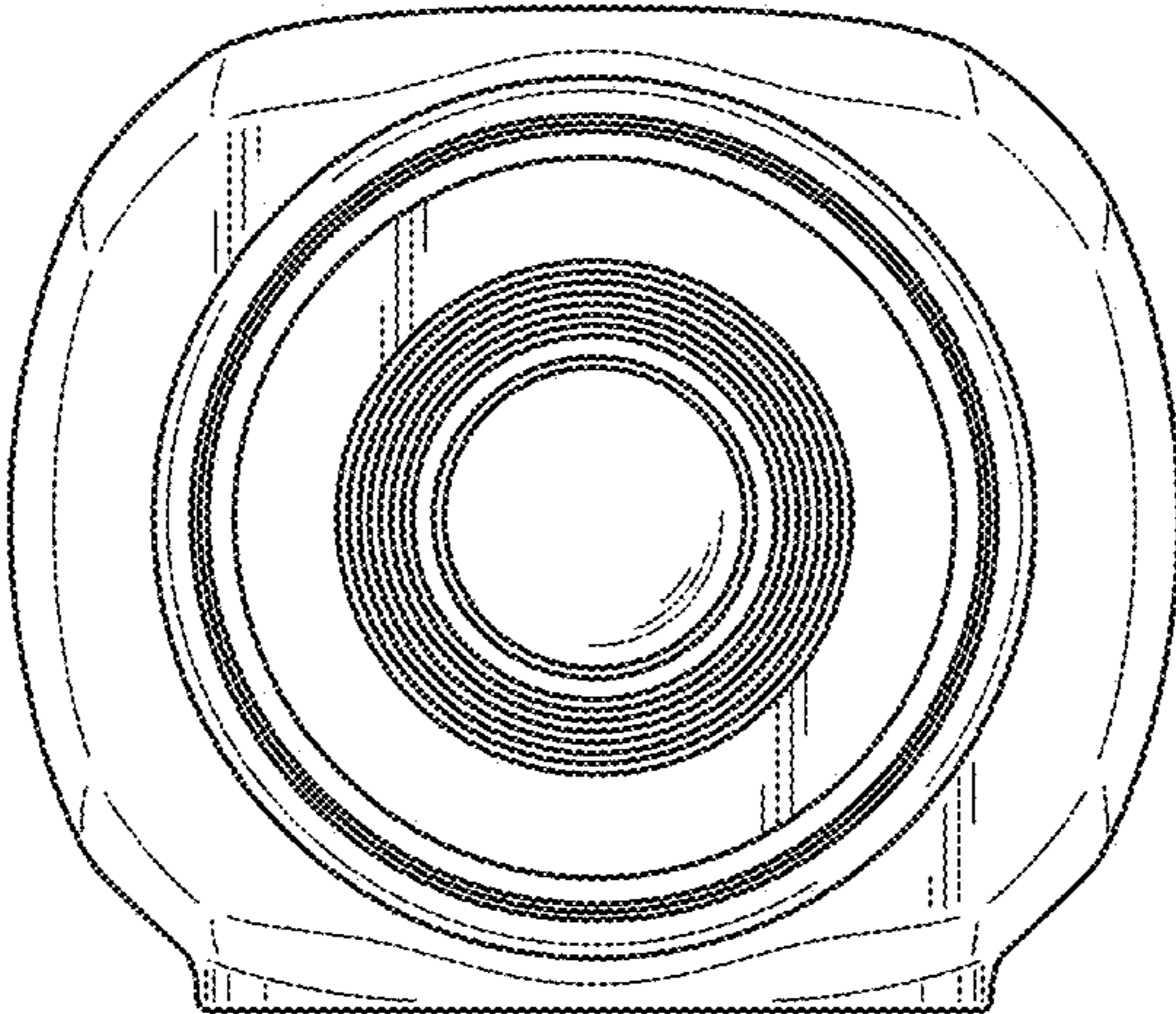
**FIG. 2**



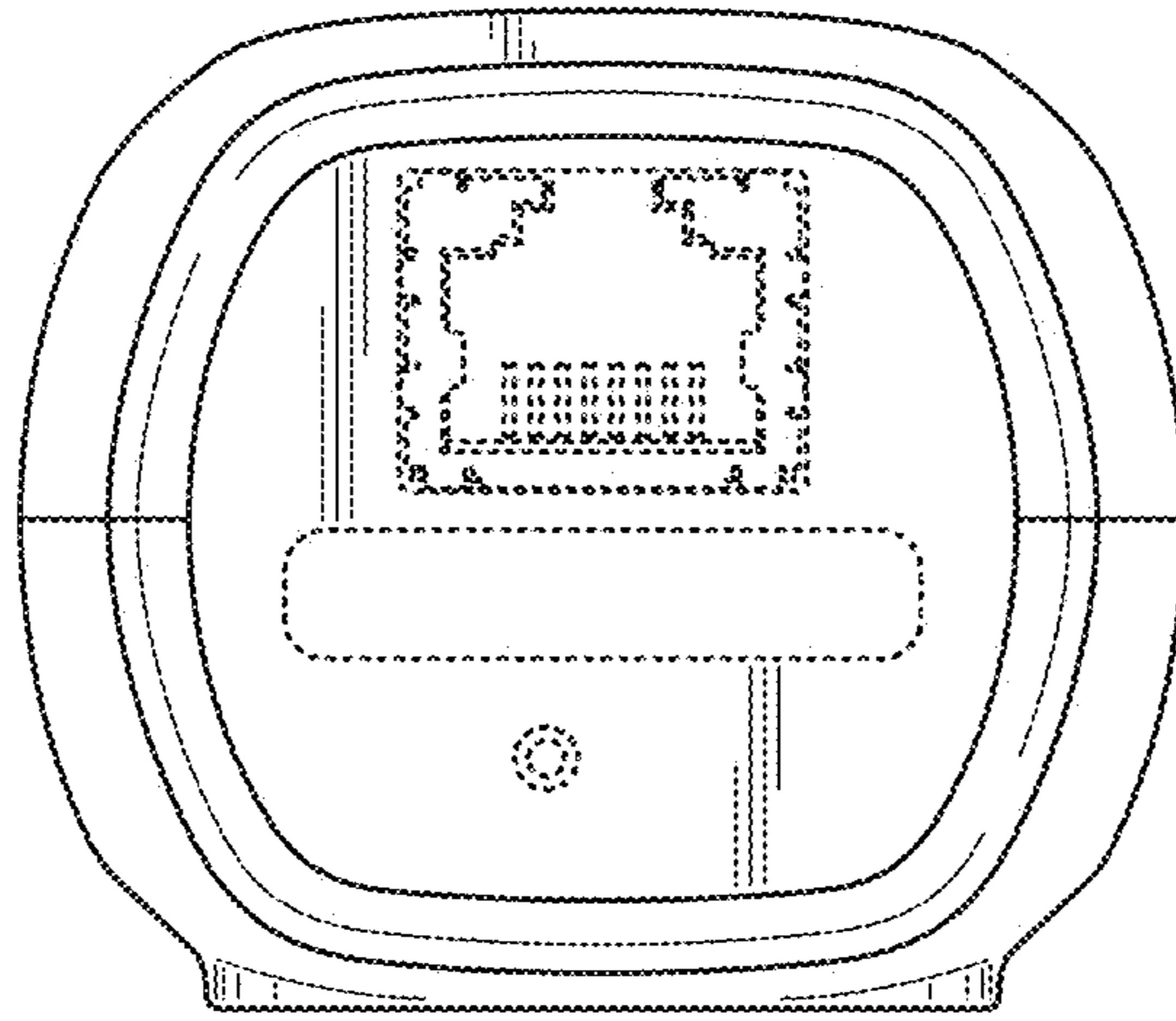
**FIG. 3**



**FIG. 4**



**FIG. 5**



**FIG. 6**

