



US00D874533S

(12) **United States Design Patent**
Park et al.

(10) **Patent No.:** **US D874,533 S**
(45) **Date of Patent:** **** *Feb. 4, 2020**

(54) **CAMERA HOUSING**

- (71) Applicant: **Cisco Technology, Inc.**, San Jose, CA (US)
- (72) Inventors: **Kyunyoung Park**, Foster City, CA (US); **Nicholas James Kaoru Kawamoto**, Novato, CA (US); **Peter W. Gleason**, Berkeley, CA (US); **Nicholas Dye Abalos**, San Francisco, CA (US); **Ian Matthew Snyder**, San Francisco, CA (US); **Jennifer Ouk**, San Francisco, CA (US)

(73) Assignee: **CISCO TECHNOLOGY, INC.**, San Jose, CA (US)

(*) Notice: This patent is subject to a terminal disclaimer.

(**) Term: **15 Years**

(21) Appl. No.: **29/636,169**

(22) Filed: **Feb. 6, 2018**

(51) **LOC (12) Cl.** **16-01**

(52) **U.S. Cl.**
USPC **D16/203**

(58) **Field of Classification Search**

USPC D16/200–220, 131, 237, 242, 239, 250, D16/235, 130, 134, 136, 238; D14/138 C, 240, 248, 203.1, 203.3, 203.7, D14/218; D10/104.1, 50, 65, 74, 70, D10/118.2

CPC ... G02B 7/02; G02B 7/04; G02B 7/14; G02B 3/14; G03B 17/00; G03B 17/02; G03B 17/56; G03B 17/04; G03B 17/14; G03B 15/03; G03B 9/08; H04N 5/2251; H04N 5/2252; H04N 5/2253; H04N 5/2254; H04N 7/00; H04N 2101/00; F16M 13/00

See application file for complete search history.

(56) **References Cited**

U.S. PATENT DOCUMENTS

- D325,212 S * 4/1992 Elberbaum D16/219
- D412,924 S * 8/1999 Hiraguchi D16/203
- D414,504 S * 9/1999 Madden D16/203
- D415,509 S * 10/1999 Hiraguchi D16/203

(Continued)

FOREIGN PATENT DOCUMENTS

- CN 301465318 * 2/2011
- CN 302309136 * 1/2013

(Continued)

OTHER PUBLICATIONS

Vintage Tulip table lamp—1970s, available for sale 1970s, published 2019 [online], [retrieved Jun. 19, 2019], Available from Internet, URL: <https://www.design-mkt.com/39978-vintage-tulip-table-lamp-1970s.html>.*

(Continued)

Primary Examiner — T Chase Nelson

Assistant Examiner — Mary Claire Ramirez

(74) *Attorney, Agent, or Firm* — Polsinelli PC

(57) **CLAIM**

We claim the ornamental design for a camera housing, as shown and described.

DESCRIPTION

FIG. 1 is a perspective view of a camera housing, showing our new design;

FIG. 2 is a front elevational view thereof;

FIG. 3 is a rear elevational view thereof;

FIG. 4 is a left side elevational view thereof;

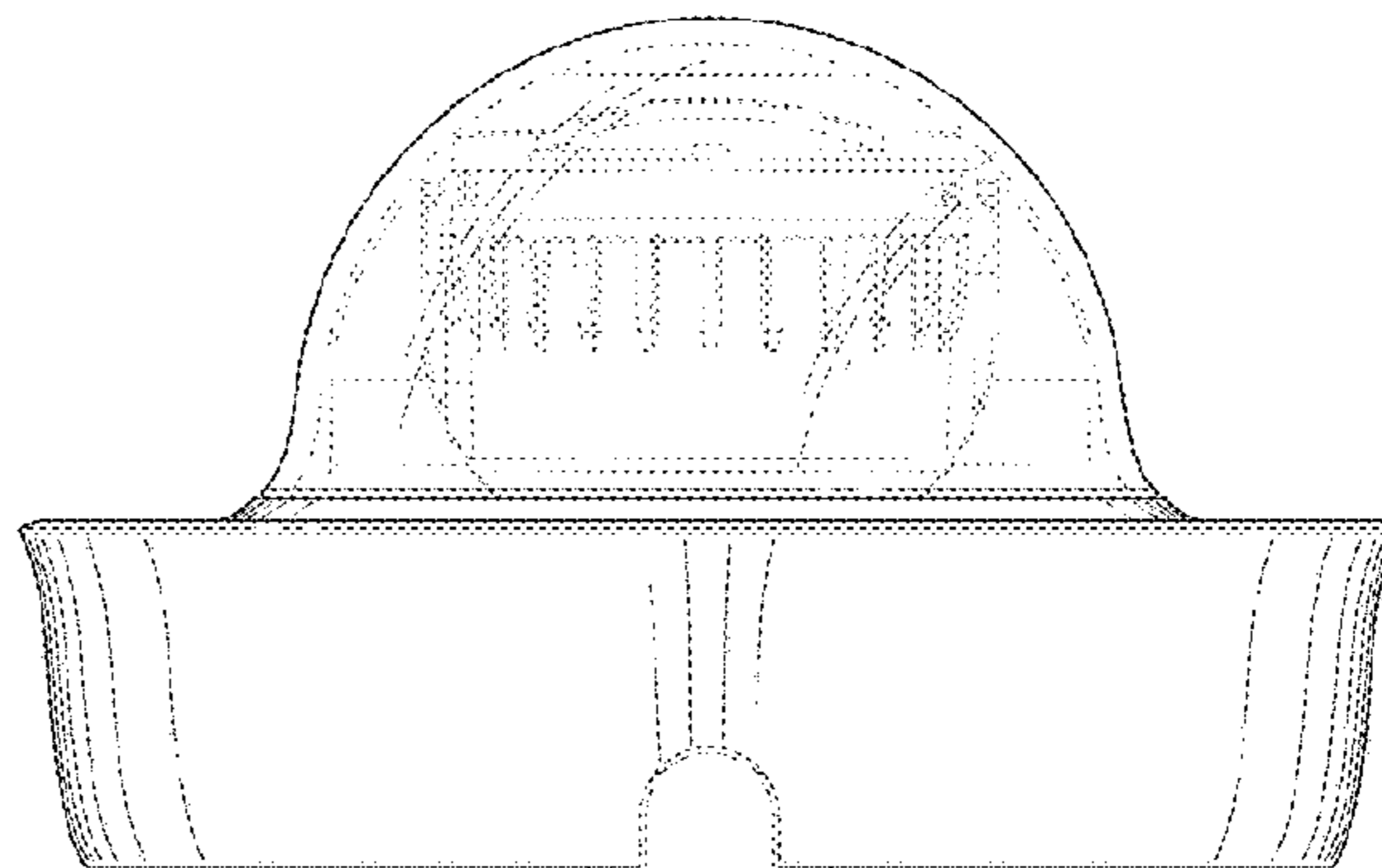
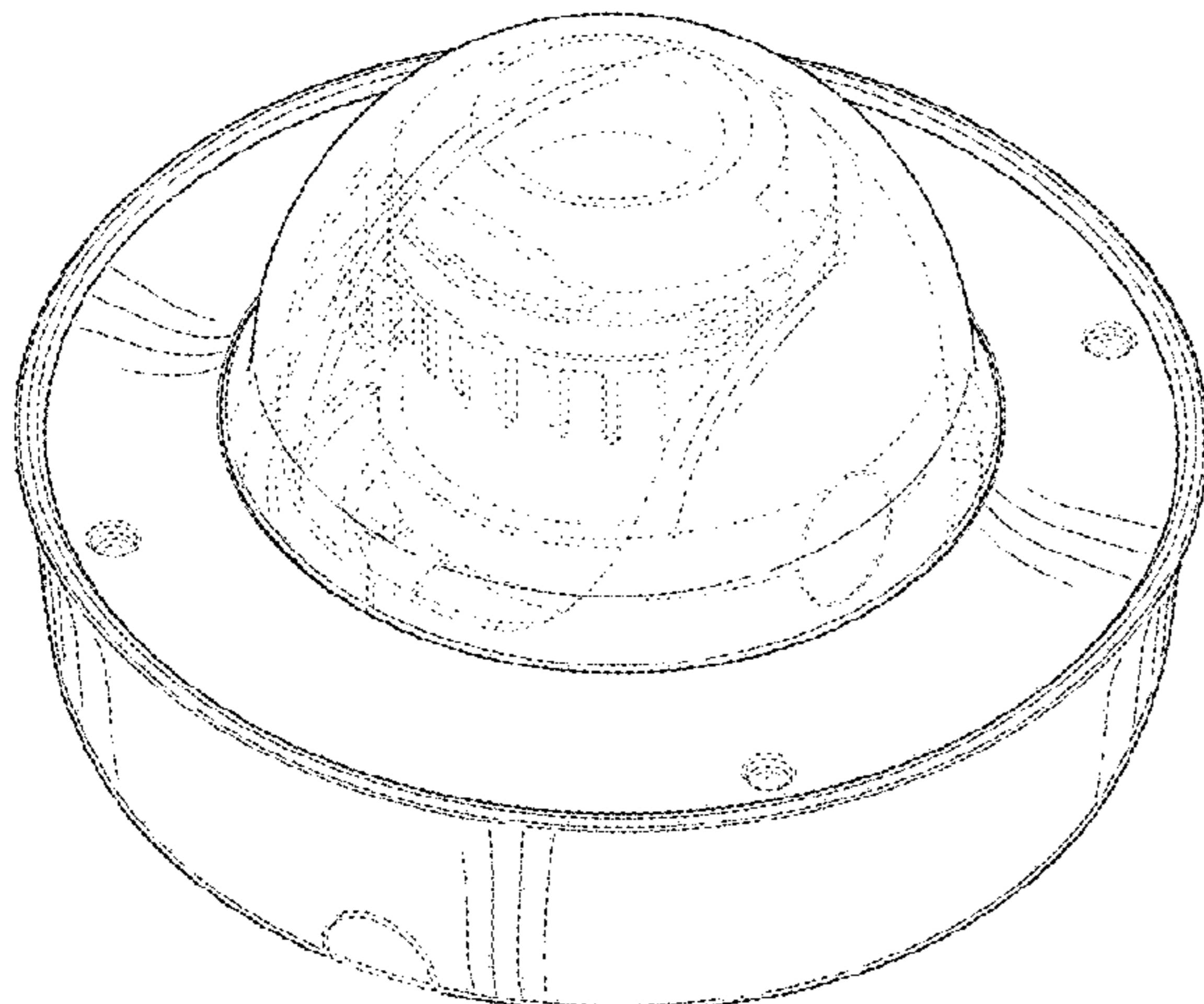
FIG. 5 is a right side elevational view thereof;

FIG. 6 is a top plan view thereof; and,

FIG. 7 is a bottom plan view thereof.

The broken lines in the drawings depict portions of the camera housing that form no part of the claimed design.

1 Claim, 7 Drawing Sheets



(56)

References Cited

U.S. PATENT DOCUMENTS

D424,087 S * 5/2000 Frick 396/427
 D497,927 S * 11/2004 Arbuckle D16/203
 D547,347 S * 7/2007 Kim D16/202
 D556,236 S * 11/2007 Kim D16/202
 D560,244 S * 1/2008 Naruki D16/203
 D561,808 S * 2/2008 Arnold D16/203
 D564,557 S * 3/2008 Yamamoto D16/203
 D576,196 S * 9/2008 Grotto D16/203
 D581,961 S * 12/2008 Shioya D16/203
 D584,756 S * 1/2009 Yamakawa D16/203
 D594,048 S * 6/2009 Yamakawa D16/203
 D615,115 S * 5/2010 Arnold D16/203
 D628,225 S * 11/2010 Deurwaarder D16/203
 D636,805 S * 4/2011 Anneback D16/203
 D644,677 S * 9/2011 Park D16/203
 D668,701 S * 10/2012 Ohno D16/203
 D676,478 S * 2/2013 Uehara D16/203
 D690,345 S * 9/2013 Seo D16/203
 D701,258 S * 3/2014 Huang D16/203
 D702,275 S * 4/2014 Ying D16/203
 D719,600 S * 12/2014 Katori D16/203
 D719,994 S * 12/2014 Wang D16/203
 D742,447 S * 11/2015 Stark D16/203
 D753,752 S * 4/2016 Ahman D16/203
 D753,753 S * 4/2016 Moon D16/203
 9,451,133 B2 * 9/2016 Stark F16M 13/02
 D782,557 S * 3/2017 Ahman D16/203
 D791,851 S * 7/2017 Zhang D16/203
 D798,934 S * 10/2017 Wu D16/203
 D815,173 S * 4/2018 Hikima D16/203
 D825,638 S * 8/2018 Holbrook D16/203
 D841,716 S * 2/2019 Teachworth D16/203

D849,114 S * 5/2019 Jeong D16/219
 2007/0274706 A1 * 11/2007 Cheng G03B 17/00
 396/427
 2008/0024604 A1 * 1/2008 Menegotto G08B 13/19619
 348/143
 2010/0060731 A1 * 3/2010 Lin G08B 13/19619
 348/143
 2010/0141760 A1 * 6/2010 Cheng G08B 13/1963
 348/143
 2012/0281083 A1 * 11/2012 Chivers G03B 17/02
 348/81
 2013/0287385 A1 * 10/2013 Andersson H04N 5/2252
 396/427
 2015/0326759 A1 * 11/2015 Mukai G03B 17/02
 348/374
 2018/0241915 A1 * 8/2018 Guan H04N 5/225

FOREIGN PATENT DOCUMENTS

CN 302435995 * 5/2013
 CN 303217885 * 5/2015
 CN 303542873 * 1/2016
 CN 304314626 * 10/2017
 EM 000665039-0002 * 2/2007
 EM 000665039-0003 * 2/2007

OTHER PUBLICATIONS

Prune_Plum Burl Wood Bowl, published Aug. 21, 2007 [online],
 [retrieved Jun. 19, 2019], Available from Internet, URL: <https://www.penturners.org/threads/prune-plum-burl-wood-bowl.31482/>.*

* cited by examiner

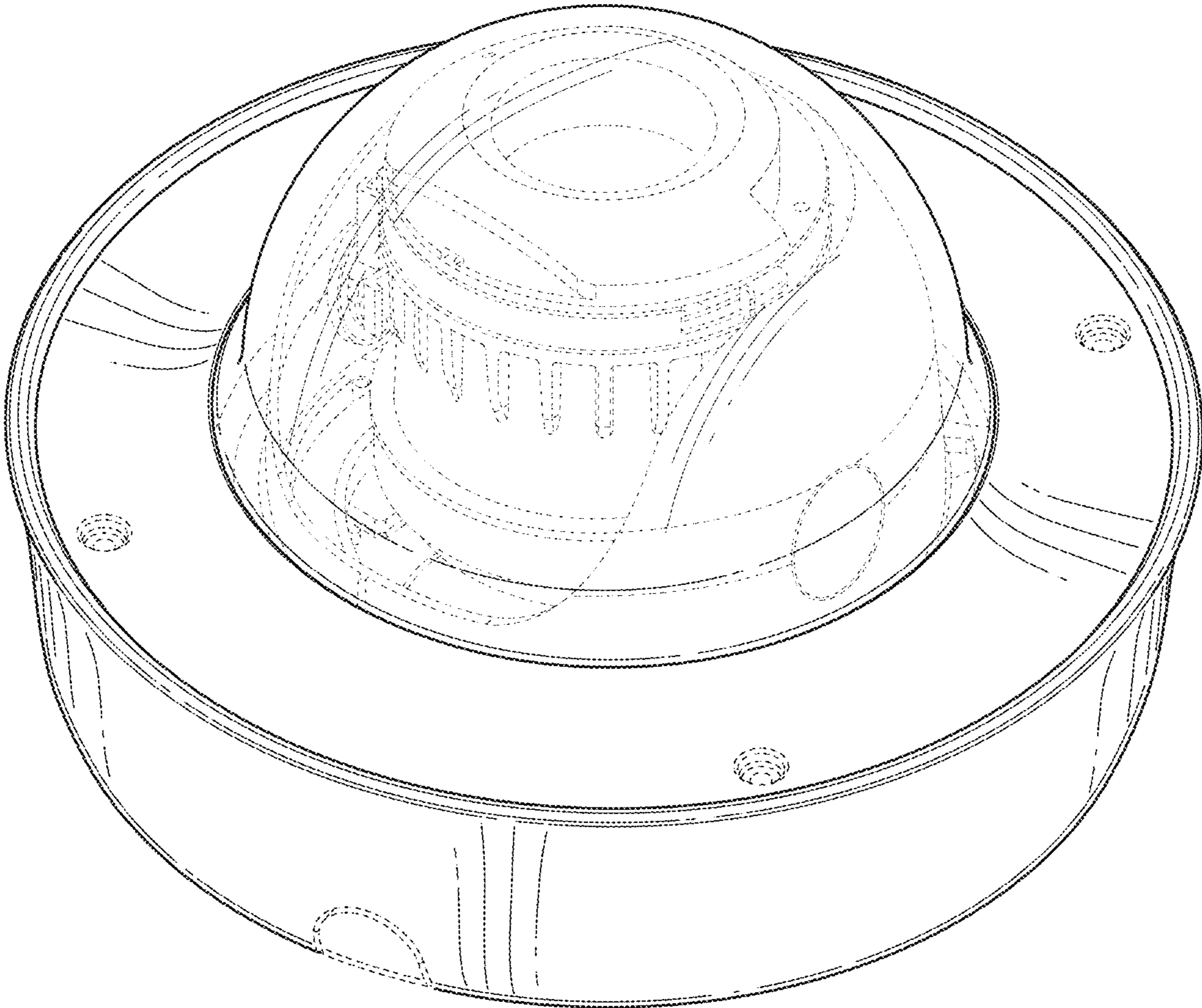


FIG. 1

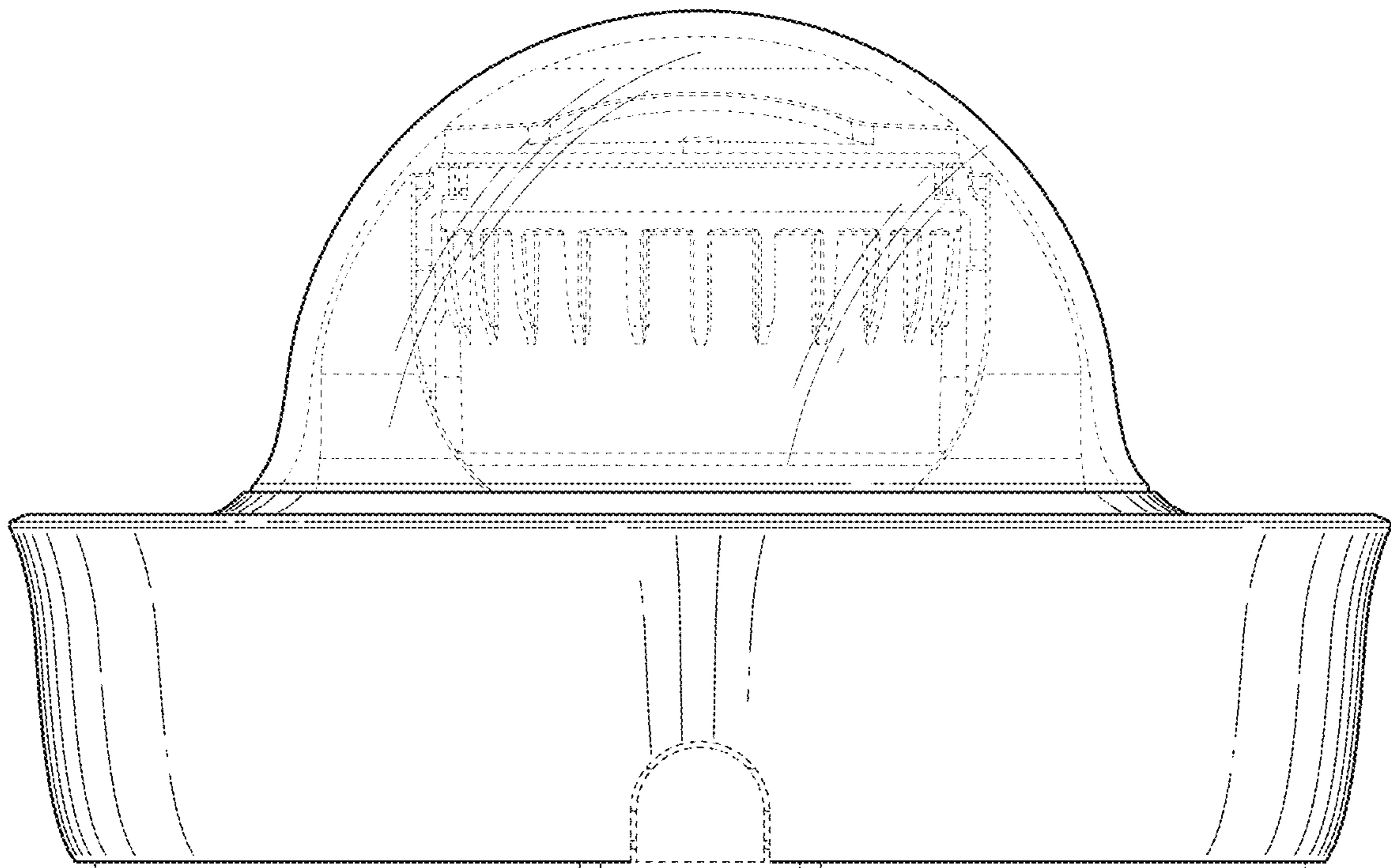


FIG. 2

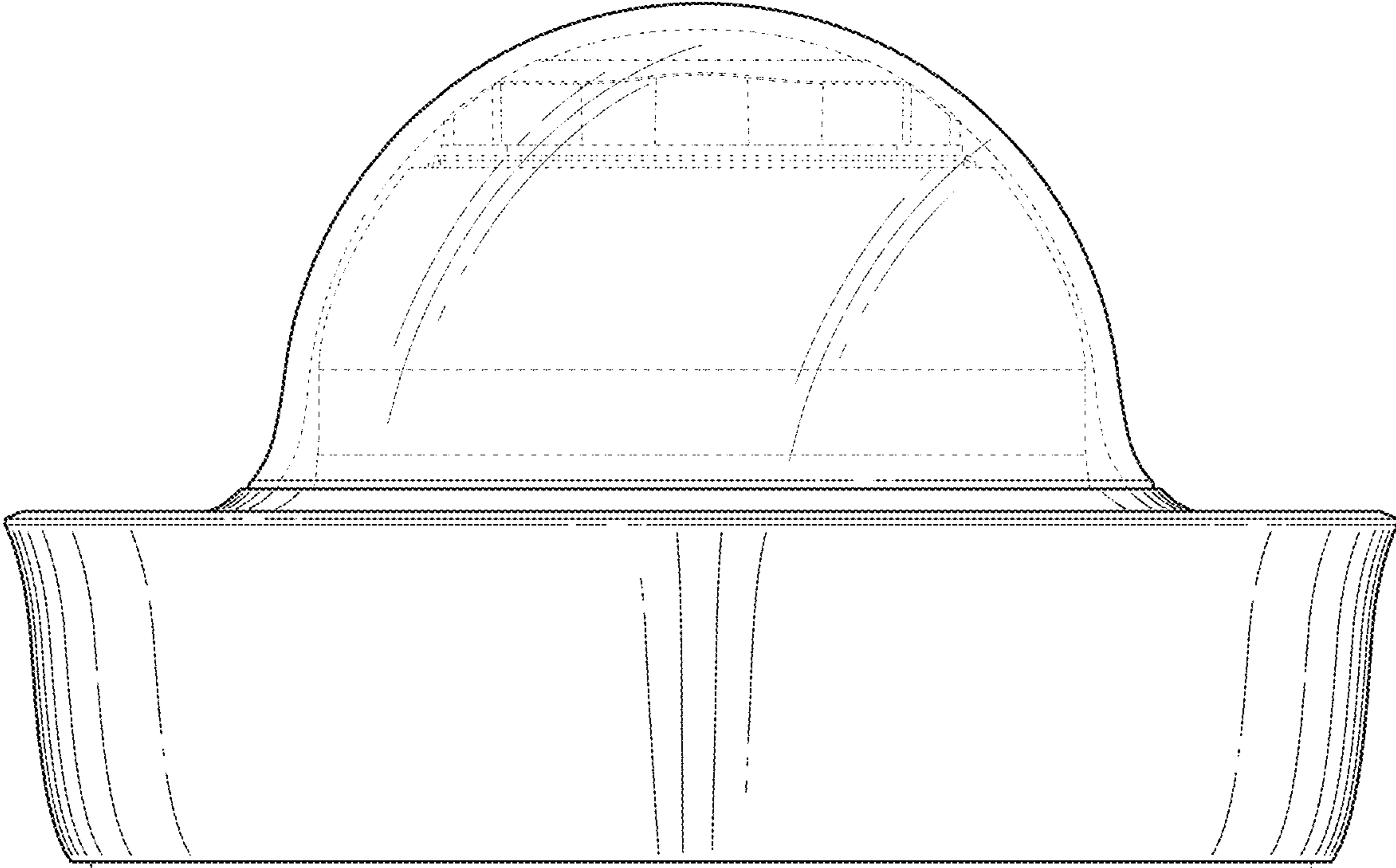


FIG. 3

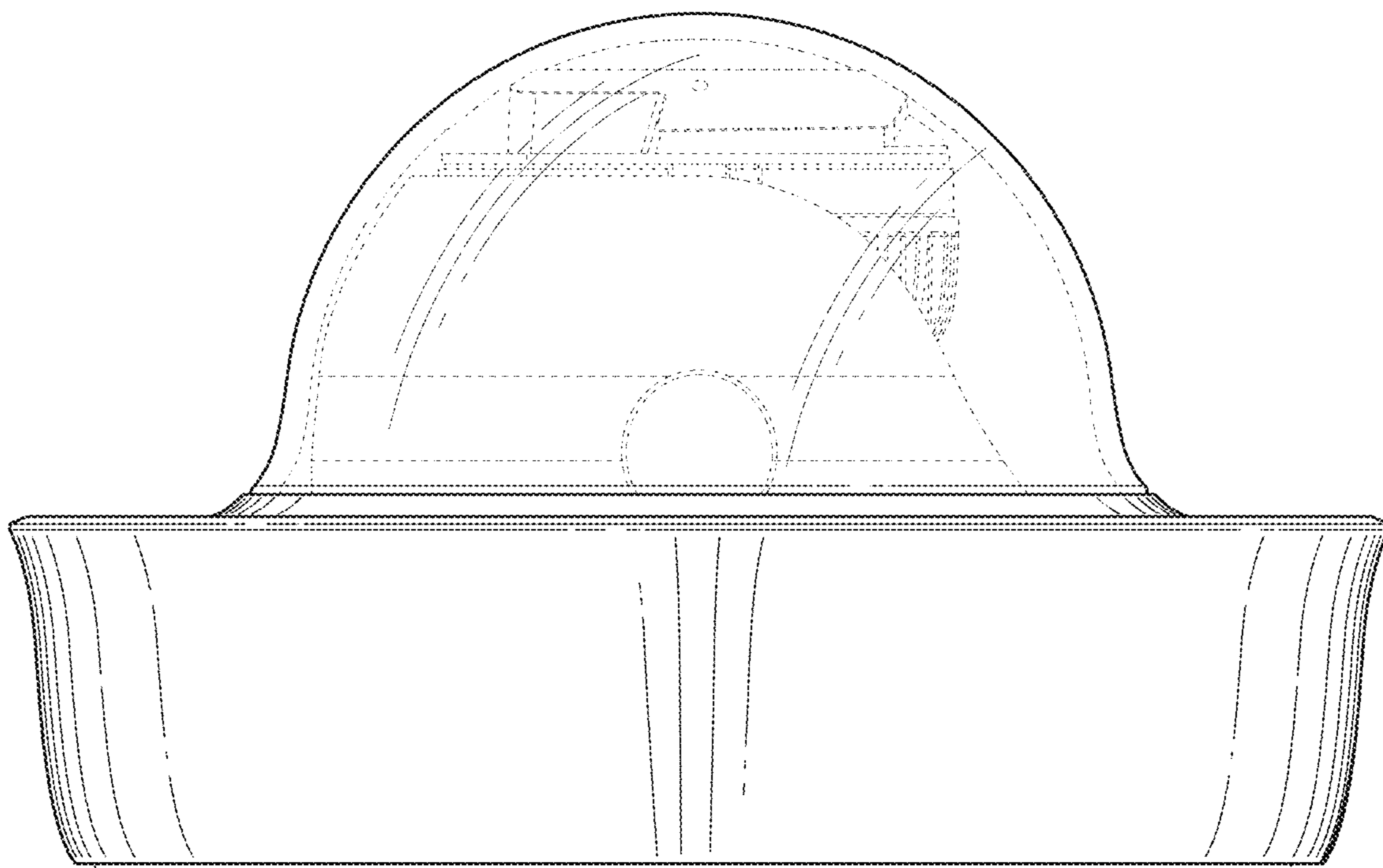


FIG. 4

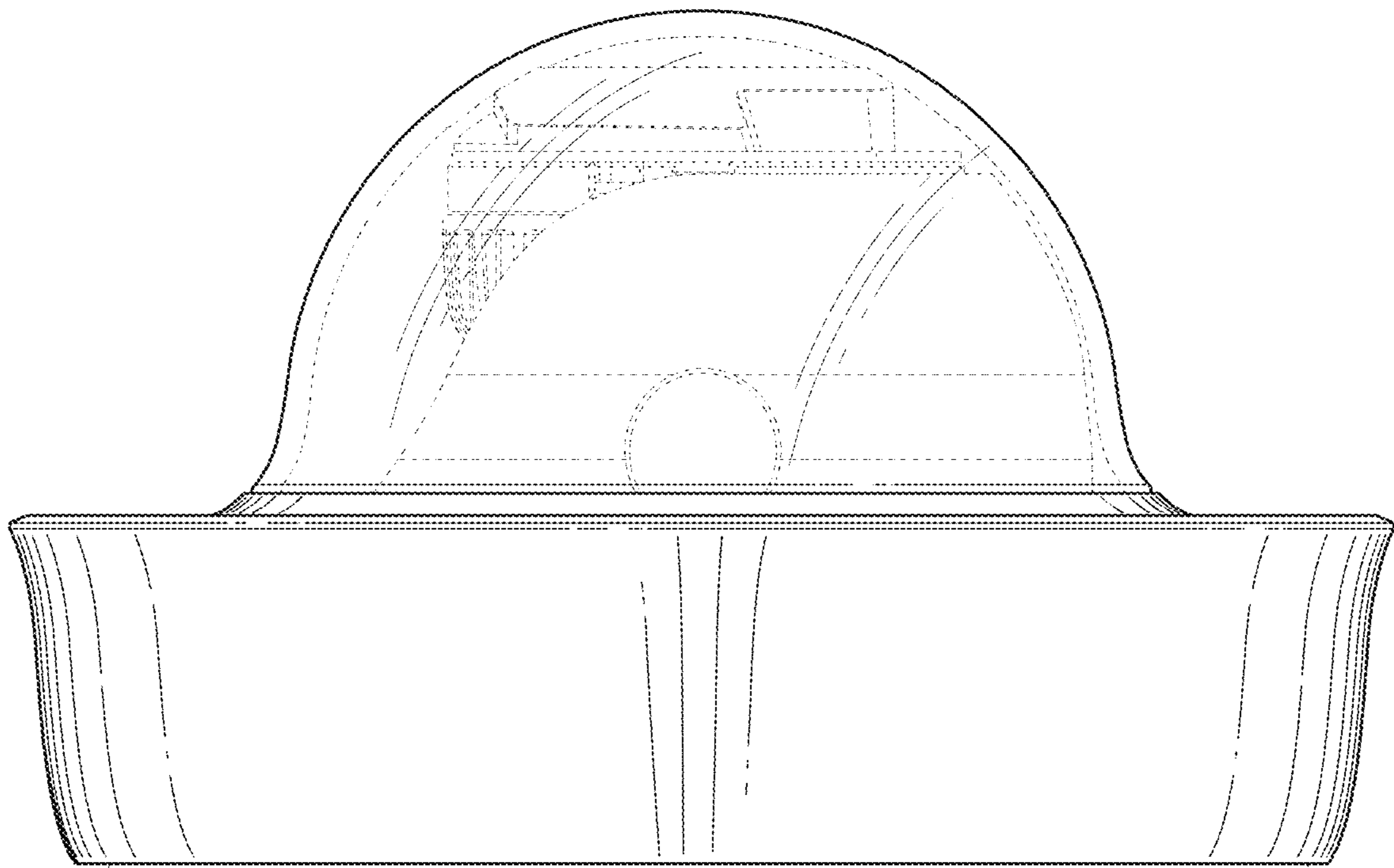


FIG. 5

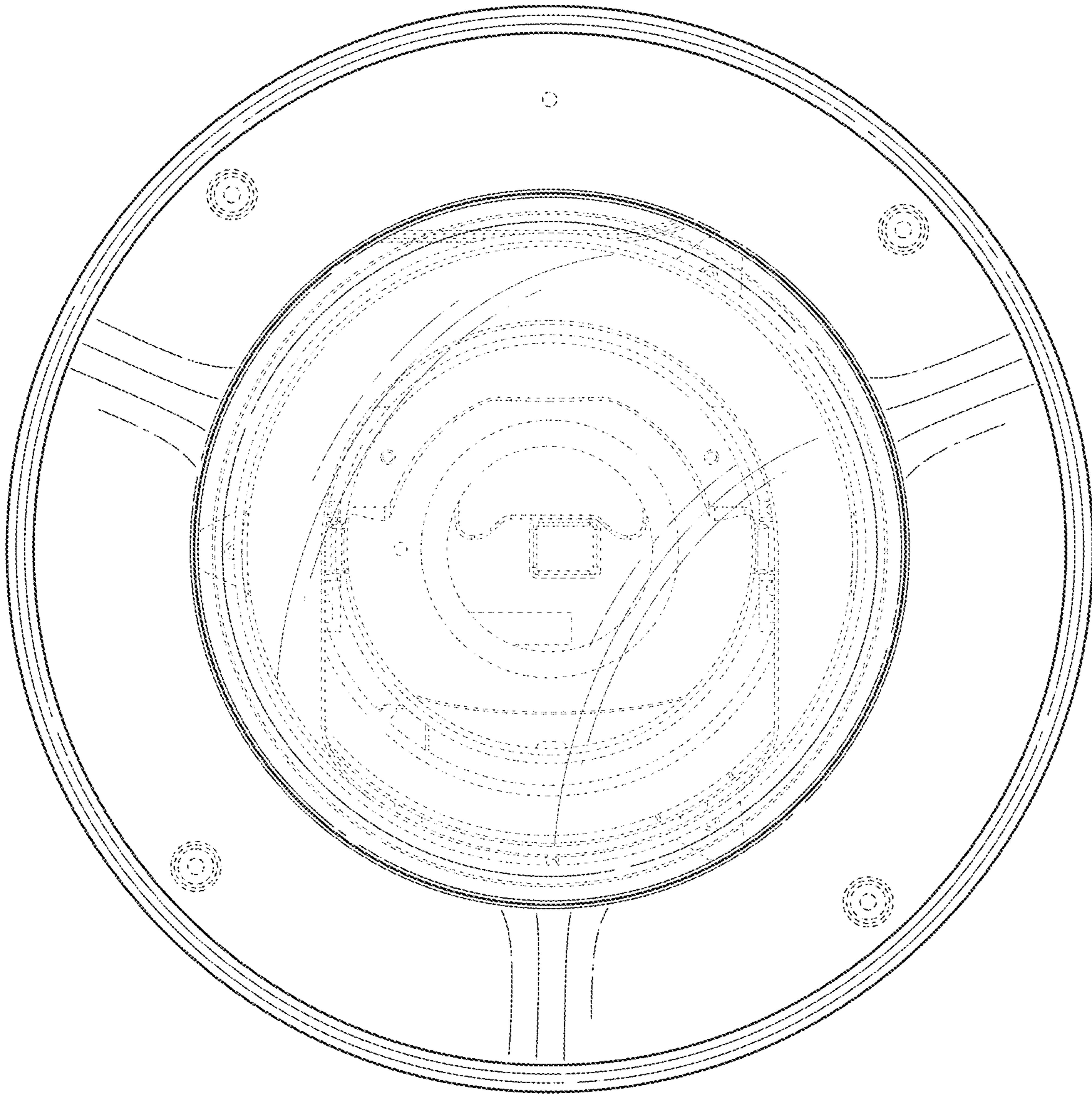


FIG. 6

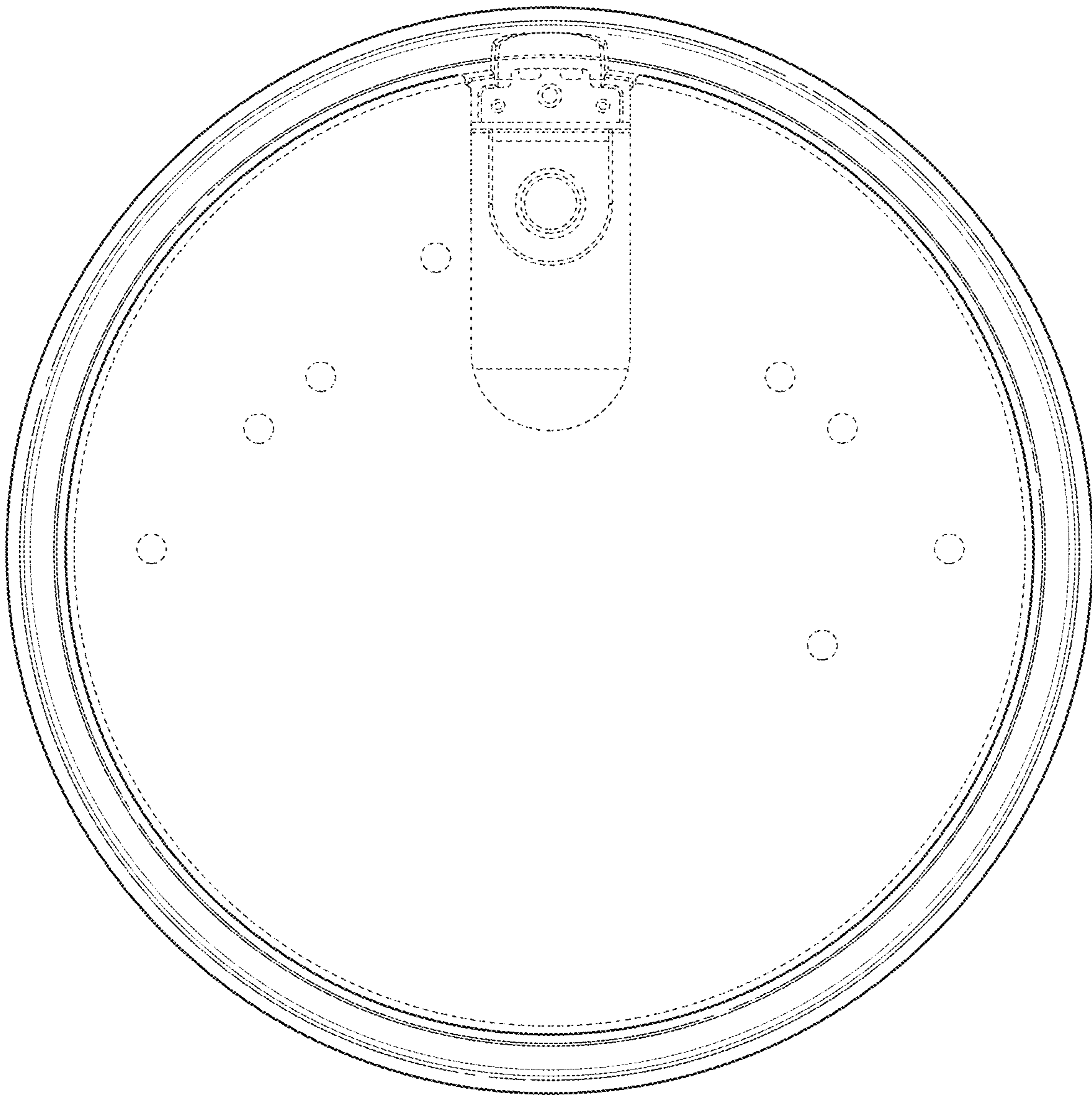


FIG. 7