



US00D874532S

(12) **United States Design Patent** (10) **Patent No.:** **US D874,532 S**  
**Chen** (45) **Date of Patent:** **\*\* Feb. 4, 2020**

(54) **CAMERA WITH GIMBAL**

(71) Applicant: **SZ DJI Technology Co., Ltd.**,  
Shenzhen (CN)

(72) Inventor: **Yiwei Chen**, Shenzhen (CN)

(73) Assignee: **SZ DJI Technology Co., Ltd.**,  
Shenzhen (CN)

(\*\*) Term: **15 Years**

(21) Appl. No.: **29/654,665**

(22) Filed: **Jun. 26, 2018**

(51) **LOC (12) Cl.** ..... **16-01**

(52) **U.S. Cl.**  
USPC ..... **D16/202**; D16/200; D16/208

(58) **Field of Classification Search**  
USPC ..... D16/200-220, 131, 237, 242, 239, 250,  
D16/235, 130, 134, 136, 238;  
D14/138 C, 240, 248, 203.1, 203.3, 203.7,  
D14/218, 207; D10/104.1, 50, 65, 74,  
D10/70, 118.2

CPC . G02B 7/02; G02B 7/021; G02B 7/04; G02B  
7/14; G02B 7/003; G03B 17/00; G03B  
17/02; G03B 17/56; G03B 17/04; G03B  
17/14; G03B 17/08; G03B 15/03; G03B  
15/06; H04N 5/2251; H04N 5/2252;  
H04N 5/2253; H04N 5/2254; H04N 7/00;  
H04N 2101/00; F16M 13/00

See application file for complete search history.

(56) **References Cited**

**U.S. PATENT DOCUMENTS**

D96,348 S \* 7/1935 Teague ..... D16/217  
D360,646 S \* 7/1995 Nomura ..... D16/202  
D441,386 S \* 5/2001 Yamazaki ..... D16/203  
D461,798 S \* 8/2002 Nagase ..... D14/240  
D713,104 S \* 9/2014 Sproviero ..... D10/104.1

(Continued)

**FOREIGN PATENT DOCUMENTS**

CN 304191920 \* 6/2017  
CN 304505334 \* 2/2018

(Continued)

**OTHER PUBLICATIONS**

Mavic 2 Zoom, published Aug. 23, 2018 [online], [retrieved Sep. 23, 2019], Available from Internet, URL: <https://www.engadget.com/2018/08/23/dji-mavic-pro-2-and-mavic-2-zoom-hands-on/>.\*

(Continued)

*Primary Examiner* — T Chase Nelson

*Assistant Examiner* — Mary Claire Ramirez

(74) *Attorney, Agent, or Firm* — Sterne, Kessler,  
Goldstein & Fox P.L.L.C.

(57) **CLAIM**

The ornamental design for a camera with gimbal, as shown and described.

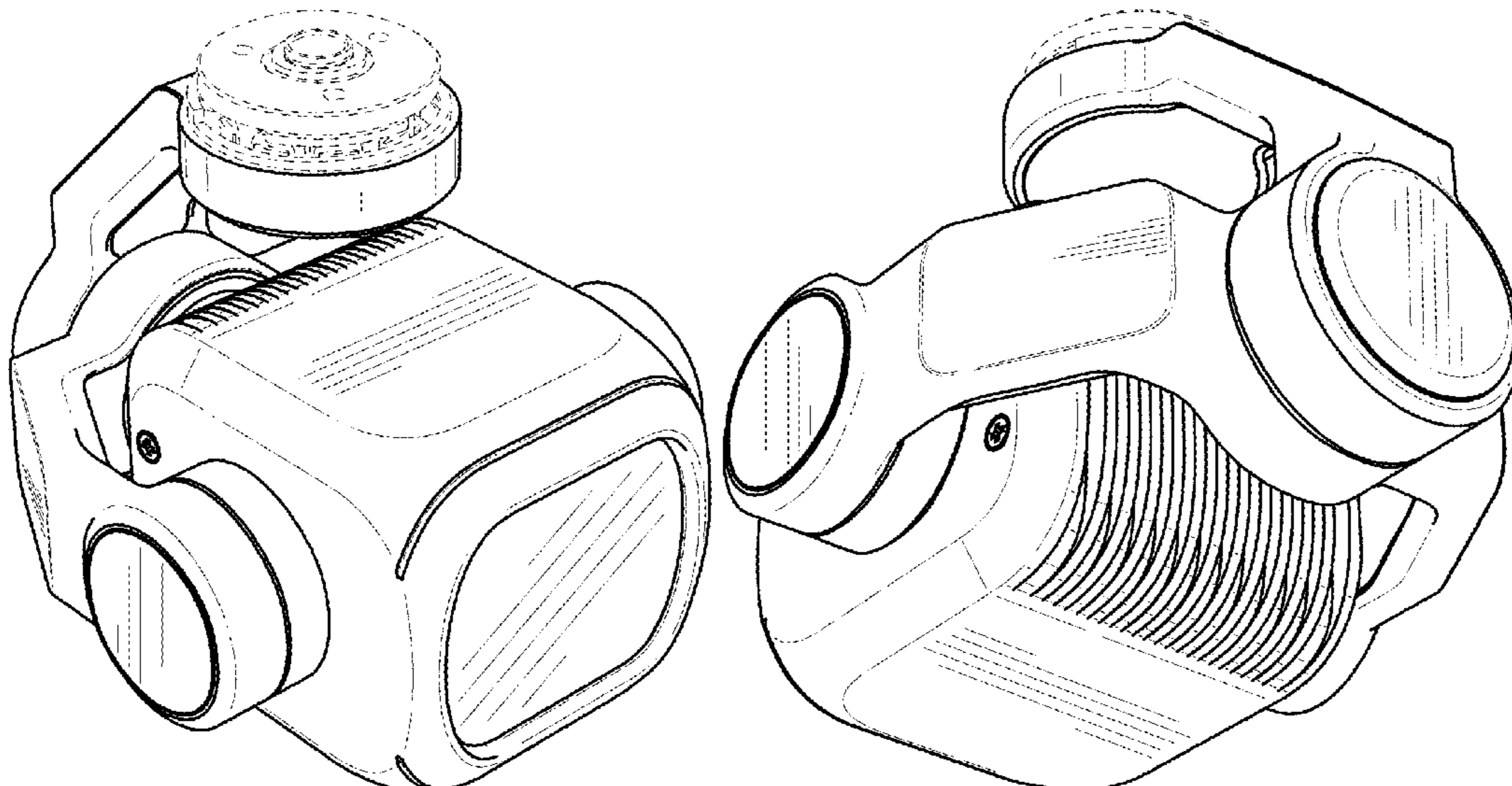
**DESCRIPTION**

This application incorporates by reference in its entirety each of the following U.S. design patent application Ser. Nos., filed on Jun. 26, 2018: 29/654,658, titled “Aerial Vehicle” 29/654,662, titled “Battery” 29/654,663, titled “Camera”

FIG. 1 is a top front perspective view of a camera with gimbal showing the claimed design;  
FIG. 2 is a bottom rear perspective view thereof;  
FIG. 3 is a front view thereof;  
FIG. 4 is a rear view thereof;  
FIG. 5 is a left side view thereof;  
FIG. 6 is a right side view thereof;  
FIG. 7 is a top view thereof; and,  
FIG. 8 is a bottom view thereof.

The broken lines in the figures show portions of the camera with gimbal that form no part of the claimed design.

**1 Claim, 4 Drawing Sheets**



(56)

References Cited

U.S. PATENT DOCUMENTS

D727,387 S \* 4/2015 Hasegawa ..... D16/203  
 D739,452 S \* 9/2015 Adams ..... D16/203  
 D785,068 S \* 4/2017 Patsis ..... D16/200  
 D790,000 S \* 6/2017 Wang ..... D16/200  
 D814,450 S \* 4/2018 Kumazawa ..... D14/240  
 D833,502 S \* 11/2018 Asakawa ..... D16/203  
 D835,175 S \* 12/2018 Kim ..... D16/237  
 D840,851 S \* 2/2019 Ammar ..... D10/104.1  
 D848,406 S \* 5/2019 Pera ..... D14/242  
 D852,865 S \* 7/2019 Hu ..... D16/200  
 D858,830 S \* 9/2019 Grandadam ..... D26/37  
 2002/0051640 A1 \* 5/2002 Arbuckle ..... G03B 17/02  
 396/427  
 2017/0219916 A1 \* 8/2017 Tang ..... G03B 17/566  
 2018/0084160 A1 \* 3/2018 Miyashita ..... H04N 5/2252  
 2019/0002125 A1 \* 1/2019 Bin ..... B64D 47/08  
 2019/0222726 A1 \* 7/2019 Pan ..... F16M 11/123

FOREIGN PATENT DOCUMENTS

CN 304505340 \* 2/2018  
 CN 304505341 \* 2/2018

CN 304509781 \* 2/2018  
 EM 003855451-0001 \* 6/2017  
 JP D1557347 S 8/2016  
 JP D1559051 S 9/2016  
 JP D1564257 S 11/2016  
 JP D1595146 S 1/2018

OTHER PUBLICATIONS

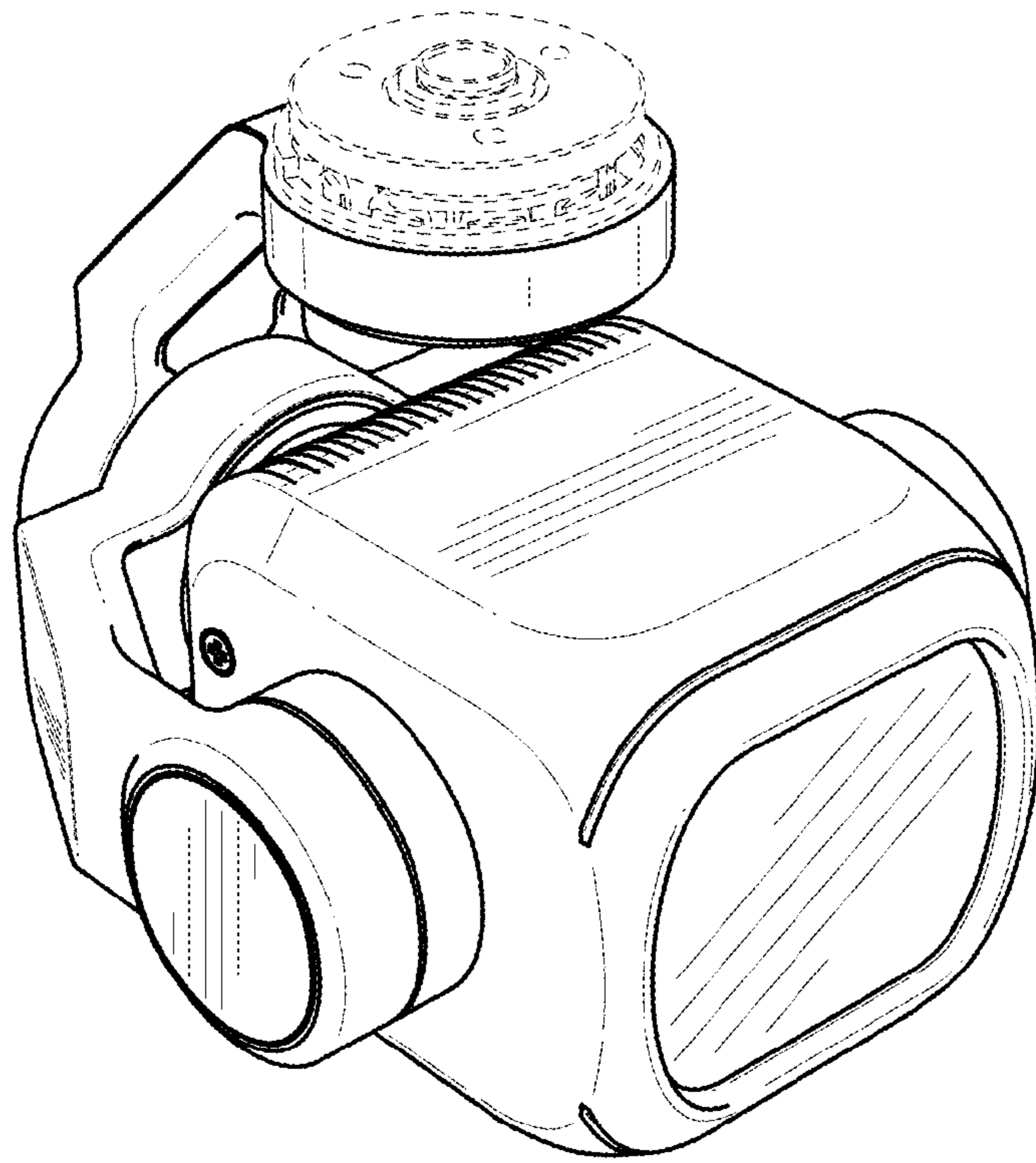
DJI Mavic 2 Pro Featuring the Hasselblad L1D-20C, published 2019 [online], [retrieved Sep. 23, 2019], Available from Internet, URL: <https://www.hasselblad.com/collaborations/dji-mavic-2-pro/>.\*

Bodamer, Dean, "Another great piece of equipment for my YouTube Channel. DJI Osmo+ 4k camera with gimbal," Twitter.com, <https://twitter.com/Bodamer44>, dated Feb. 19, 2018.

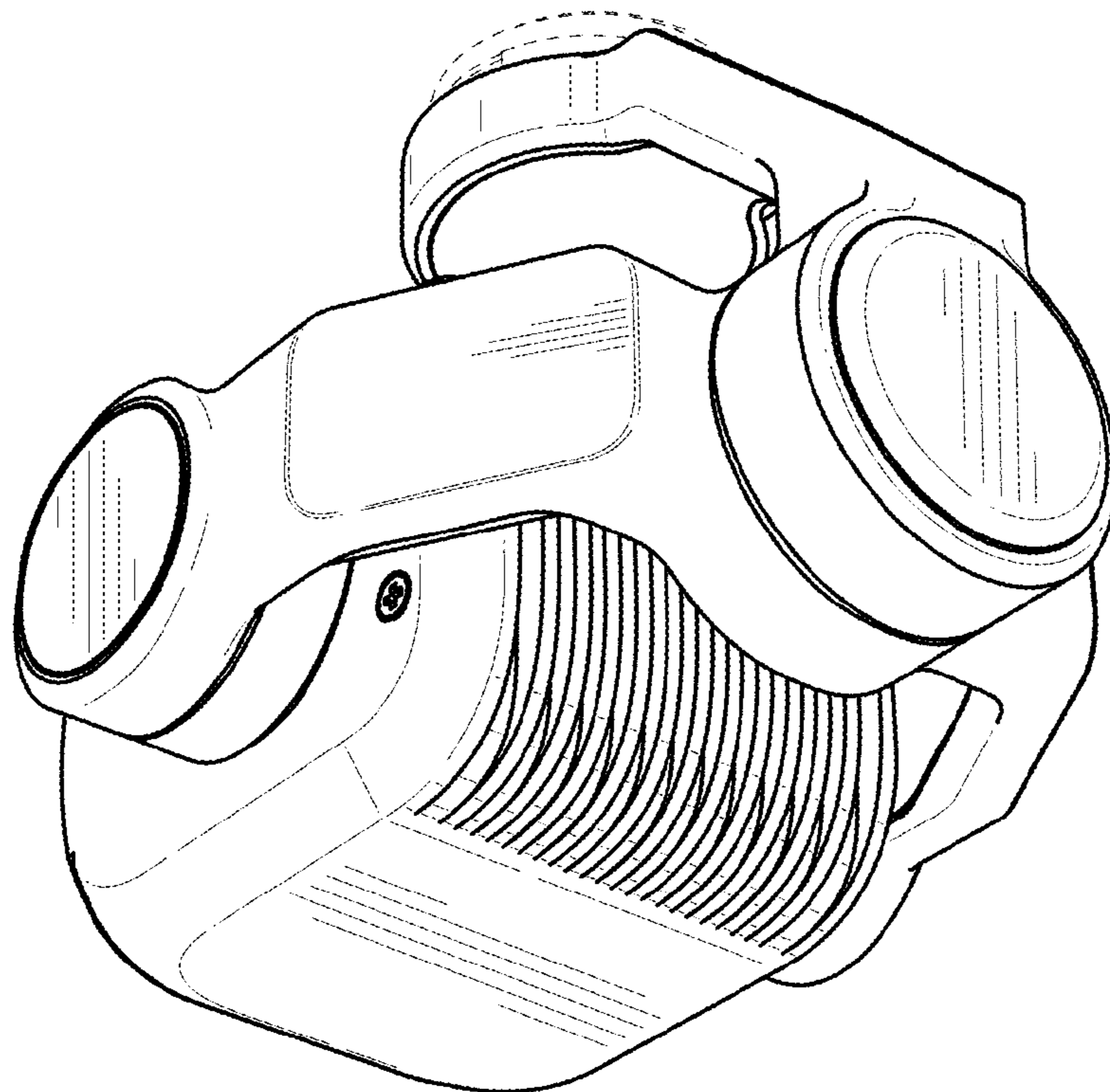
digiDIRECT, "DJI Osmo+—Review and sample footage," YouTube.com, <https://www.youtube.com/watch?v=n-cD2GZiJxc>, dated Sep. 27, 2016.

Horsey, Julian, "DJI Osmo Plus With Zoom Lens Camera Now Available to Pre-Order for \$569," Geeky Gadgets, <https://www.geeky-gadgets.com/dji-osmo-plus-with-zoom-lens-camera-launches-26-08-2016/>, dated Aug. 26, 2016.

\* cited by examiner

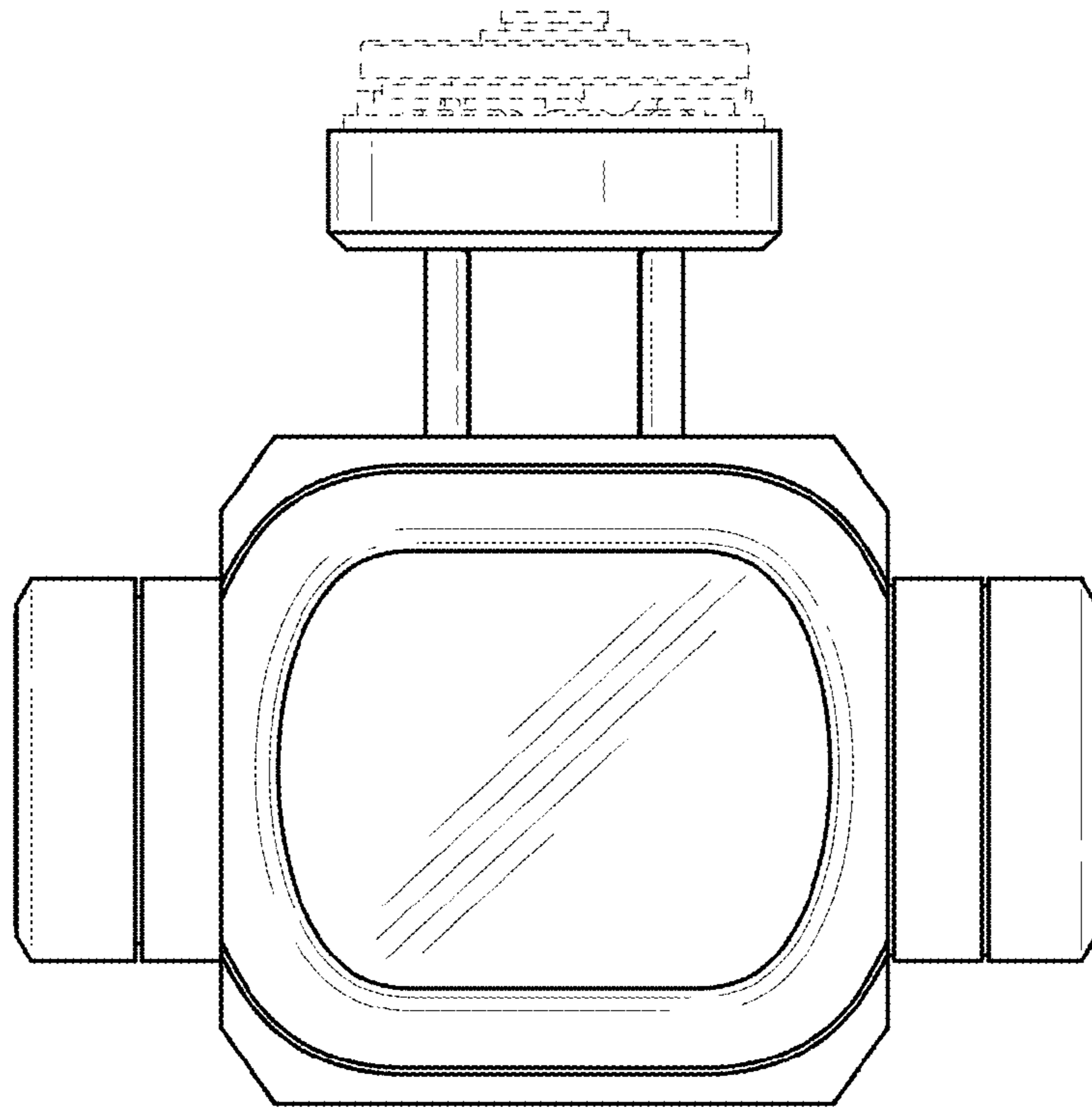


**FIG. 1**

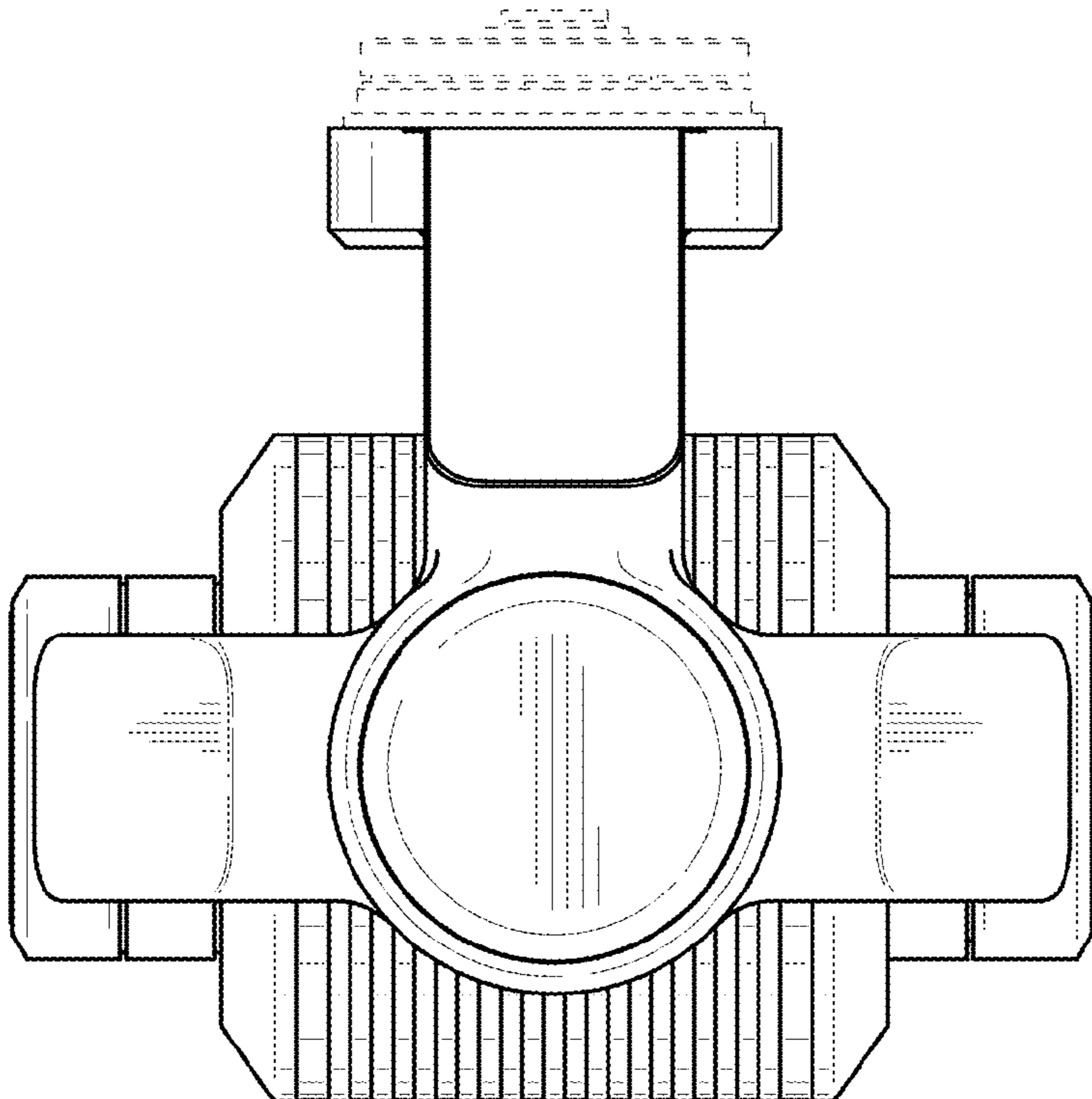


**FIG. 2**

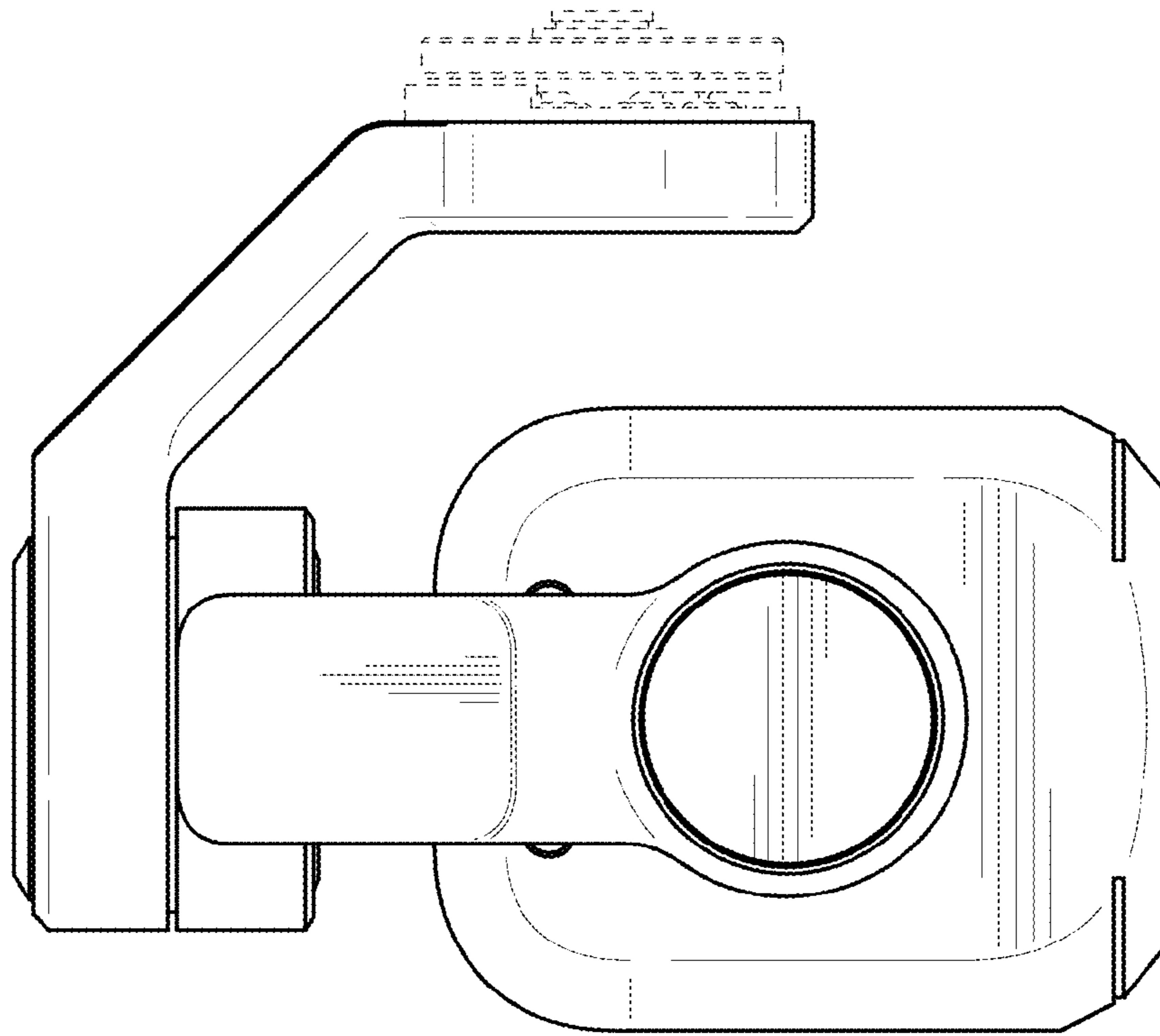




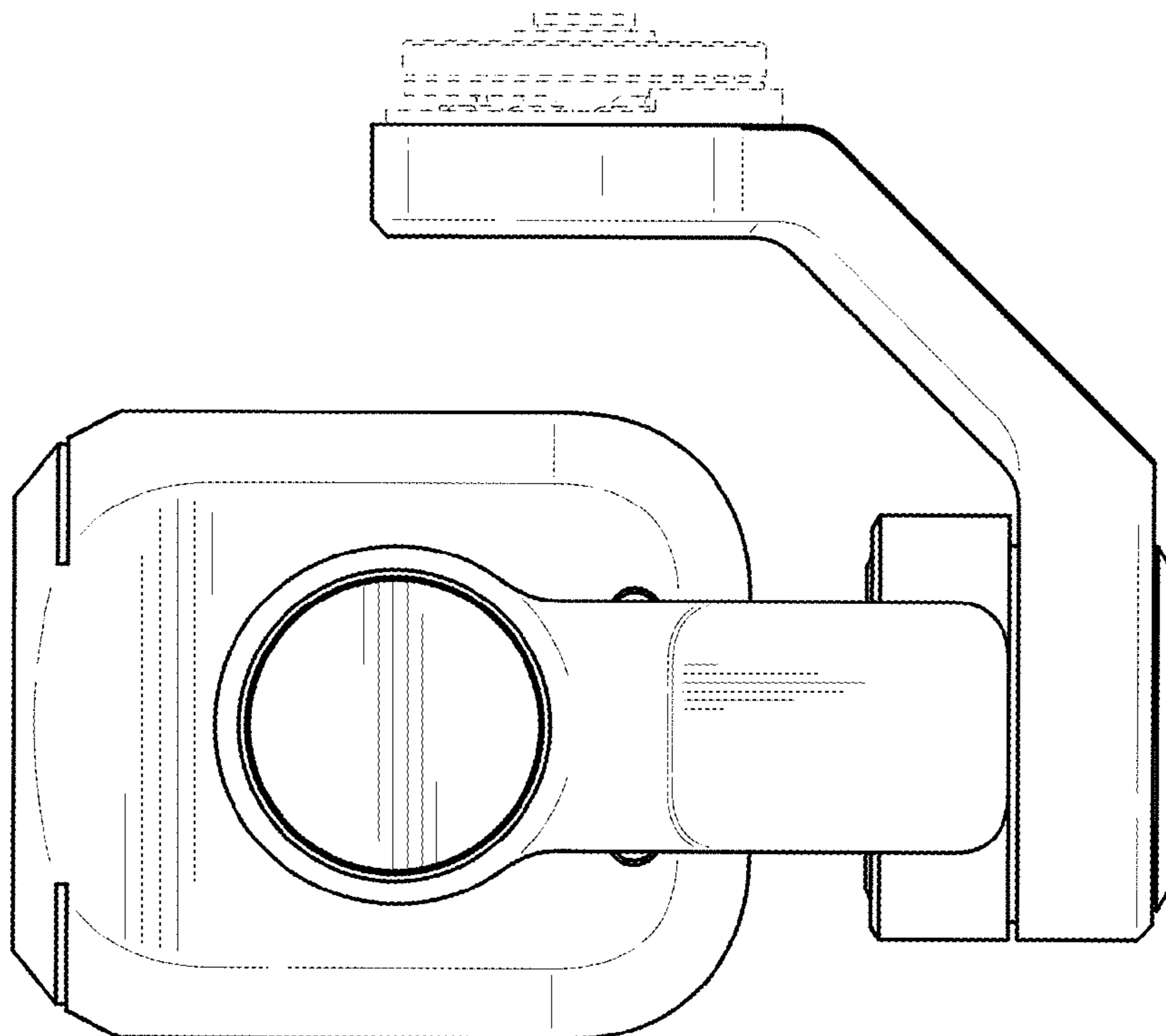
**FIG. 3**



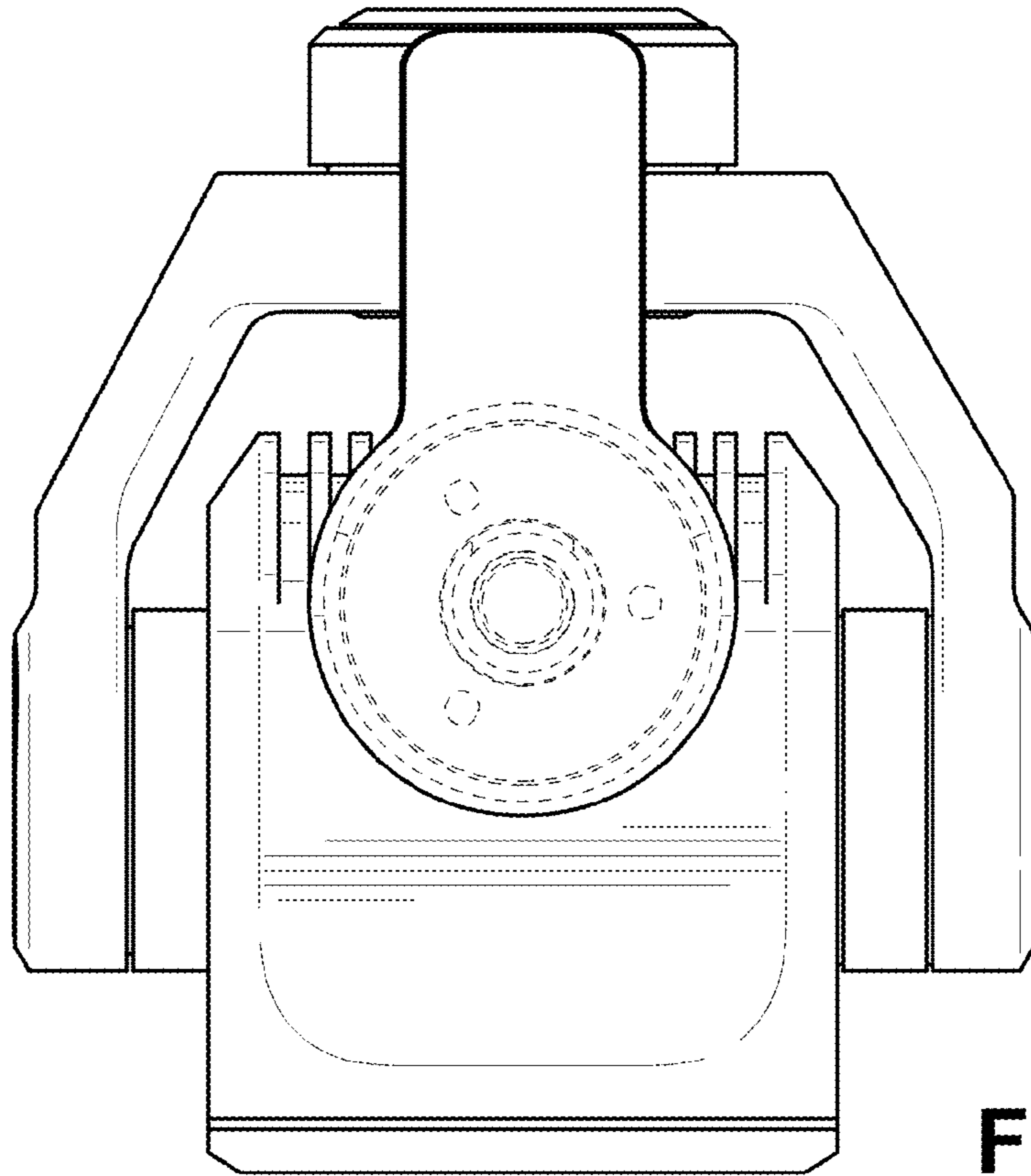
**FIG. 4**



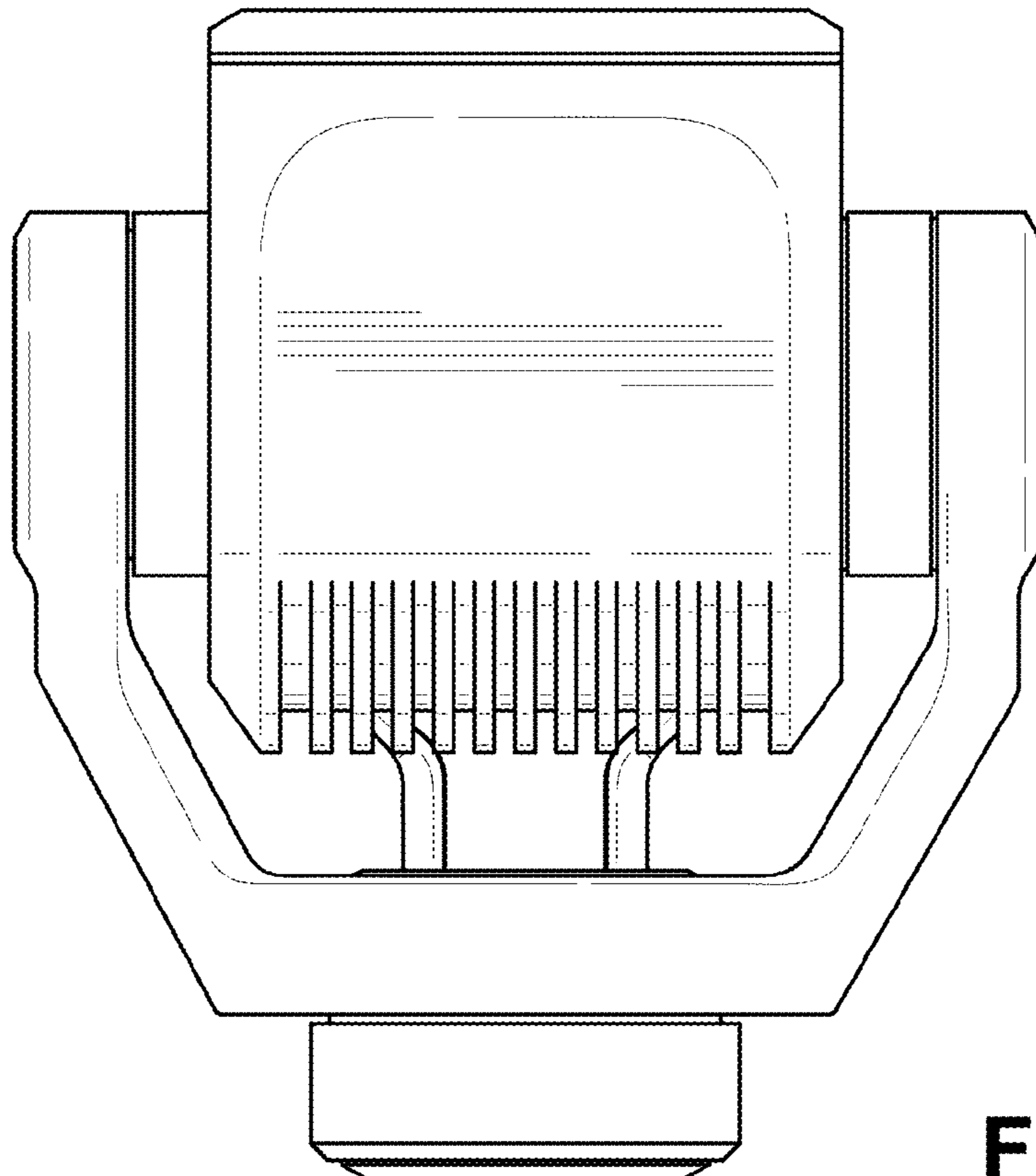
**FIG. 5**



**FIG. 6**



**FIG. 7**



**FIG. 8**