



US00D874531S

(12) **United States Design Patent**
Chen

(10) **Patent No.:** **US D874,531 S**

(45) **Date of Patent:** **** Feb. 4, 2020**

(54) **CAMERA**

(71) Applicant: **SZ DJI Technology Co., Ltd.**,
Shenzhen (CN)

(72) Inventor: **Yiwei Chen**, Shenzhen (CN)

(73) Assignee: **SZ DJI Technology Co., Ltd.**,
Shenzhen (CN)

(**) Term: **15 Years**

(21) Appl. No.: **29/654,663**

(22) Filed: **Jun. 26, 2018**

(51) **LOC (12) Cl.** **16-01**

(52) **U.S. Cl.**
USPC **D16/202; D16/200; D16/219**

(58) **Field of Classification Search**
USPC D16/200–220, 131, 237, 242, 239, 250,
D16/235, 130, 134, 136, 238;
D14/138 C, 240, 248, 203.1, 203.3, 203.7,
D14/218, 207; D10/104.1, 50, 65, 74,
D10/70, 118.2

CPC . G02B 7/02; G02B 7/021; G02B 7/04; G02B
7/14; G02B 7/003; G03B 17/00; G03B
17/02; G03B 17/56; G03B 17/04; G03B
17/14; G03B 17/08; G03B 15/03; G03B
15/06; H04N 5/2251; H04N 5/2252;
H04N 5/2253; H04N 5/2254; H04N 7/00;
H04N 2101/00; F16M 13/00

See application file for complete search history.

(56) **References Cited**

U.S. PATENT DOCUMENTS

D96,348 S * 7/1935 Teague D16/217
D360,646 S * 7/1995 Nomura D16/202
D434,515 S * 11/2000 McNamara D26/63
D441,386 S * 5/2001 Yamazaki D16/203
D461,798 S * 8/2002 Nagase D14/240
D713,104 S * 9/2014 Sproviero D10/104.1

(Continued)

FOREIGN PATENT DOCUMENTS

CN 304191920 * 6/2017
CN 304505334 * 2/2018

(Continued)

OTHER PUBLICATIONS

Mavic 2 Zoom, published Aug. 23, 2018 [online], [retrieved Sep. 23, 2019], Available from Internet, URL: <https://www.engadget.com/2018/08/23/dji-mavic-pro-2-and-mavic-2-zoom-hands-on/>.*

(Continued)

Primary Examiner — T Chase Nelson

Assistant Examiner — Mary Claire Ramirez

(74) *Attorney, Agent, or Firm* — Sterne, Kessler,
Goldstein & Fox P.L.L.C.

(57) **CLAIM**

The ornamental design for a camera, as shown and described.

DESCRIPTION

This application incorporates by reference in its entirety each of the following U.S. design patent application Ser. Nos., filed on Jun. 26, 2018: 29/654,658, titled “Aerial Vehicle”29/654,662, titled “Battery”29/654,665, titled “Camera With Gimbal”

FIG. 1 is a top front perspective view of a camera showing the claimed design;

FIG. 2 is a bottom rear perspective view thereof;

FIG. 3 is a front view thereof;

FIG. 4 is a rear view thereof;

FIG. 5 is a left side view thereof;

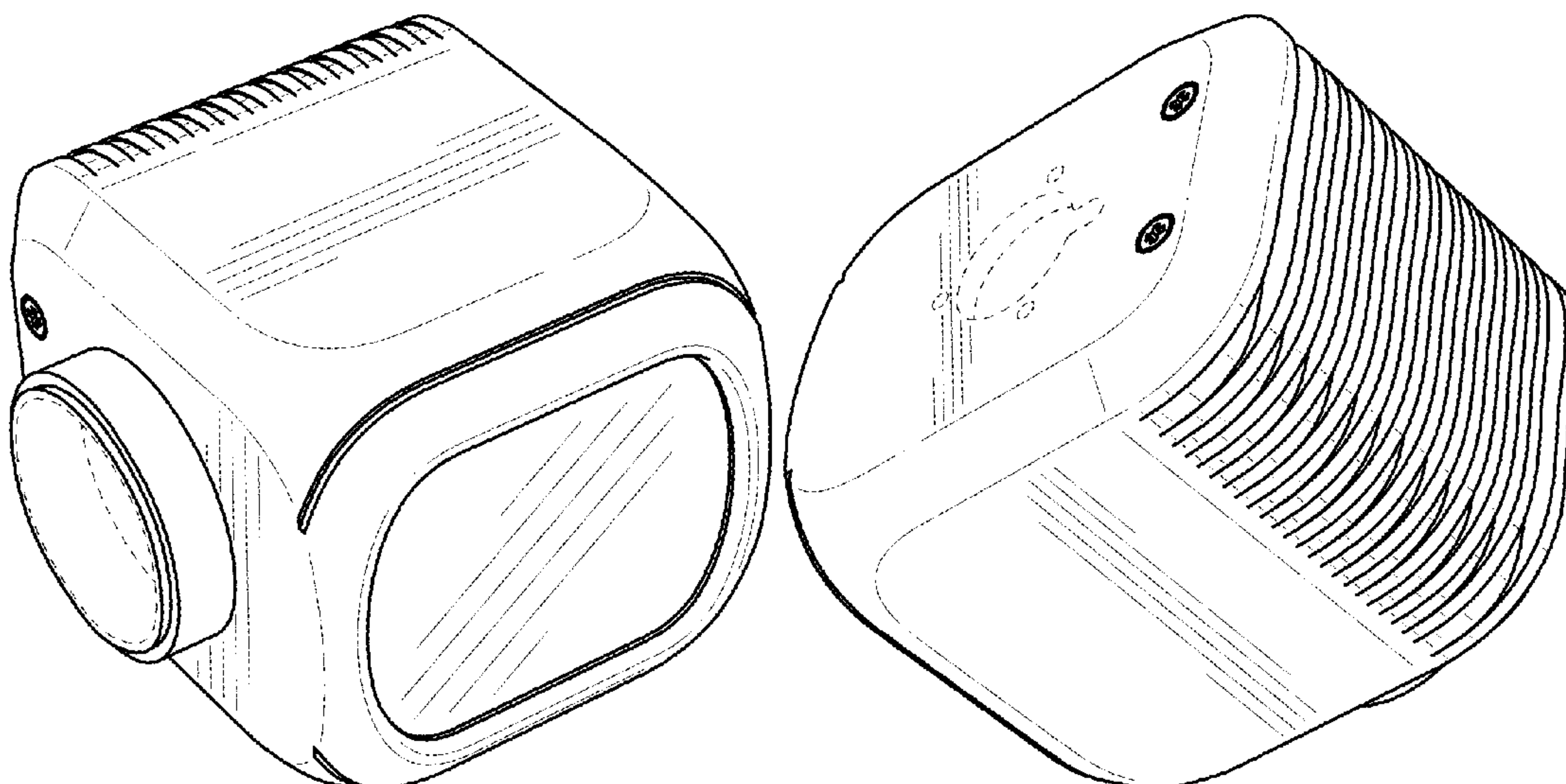
FIG. 6 is a right side view thereof;

FIG. 7 is a top view thereof; and,

FIG. 8 is a bottom view thereof.

The broken lines in the figures show portions of the camera that form no part of the claimed design.

1 Claim, 4 Drawing Sheets



(56)

References Cited

U.S. PATENT DOCUMENTS

D727,387 S * 4/2015 Hasegawa D16/203
 D739,452 S * 9/2015 Adams D16/203
 D785,068 S * 4/2017 Patsis D16/200
 D788,835 S * 6/2017 Wu D16/218
 D790,000 S * 6/2017 Wang D16/200
 D791,216 S * 7/2017 Wang D16/242
 D795,946 S * 8/2017 Kim D16/206
 D799,581 S * 10/2017 Lin D16/242
 D810,171 S * 2/2018 Kim D16/206
 D810,806 S * 2/2018 Kim D16/206
 D811,466 S * 2/2018 Zheng D16/219
 D813,924 S * 3/2018 Zheng D16/203
 D814,450 S * 4/2018 Kumazawa D14/240
 D814,545 S * 4/2018 Kim D16/206
 D815,180 S * 4/2018 Kim D16/206
 D816,150 S * 4/2018 Liao D16/242
 D827,698 S * 9/2018 Zhang D16/242
 D833,502 S * 11/2018 Asakawa D16/203
 D835,175 S * 12/2018 Kim D16/237
 D836,699 S * 12/2018 Kim D16/206
 D840,851 S * 2/2019 Ammar D10/104.1
 D848,406 S * 5/2019 Pera D14/242
 D852,865 S * 7/2019 Hu D16/200
 D858,830 S * 9/2019 Grandadam D26/37
 2002/0051640 A1 * 5/2002 Arbuckle G03B 17/02
 396/427
 2017/0219916 A1 * 8/2017 Tang G03B 17/566
 2017/0241589 A1 * 8/2017 Wang F16M 11/18

2018/0084160 A1 * 3/2018 Miyashita H04N 5/2252
 2018/0187824 A1 * 7/2018 Yan G03B 17/56
 2019/0002125 A1 * 1/2019 Bin B64D 47/08
 2019/0222726 A1 * 7/2019 Pan F16M 11/123
 2019/0249820 A1 * 8/2019 Huang F16M 11/123

FOREIGN PATENT DOCUMENTS

CN 304509781 * 2/2018
 EM 003855451-0001 * 6/2017

OTHER PUBLICATIONS

DJI Mavic 2 Pro Featuring the Hasselblad L1D-20C, published 2019 [online], [retrieved Sep. 23, 2019], Available from Internet, URL: <https://www.hasselblad.com/collaborations/dji-mavic-2-pro/>.
 Bodamer, Dean, "Another great piece of equipment for my YouTube Channel. DJI Osmo+ 4k camera with gimbal," Twitter.com, <https://twitter.com/Bodamer44>, dated Feb. 19, 2018.
 digiDIRECT, "DJI Osmo+—Review and sample footage," YouTube.com, <https://www.youtube.com/watch?v=n-cD2GZiJxc>, dated Sep. 27, 2016.
 Horsey, Julian, "DJI Osmo Plus With Zoom Lens Camera Now Available to Pre-Order for \$569," Geeky Gadgets, <https://www.geeky-gadgets.com/dji-osmo-plus-with-zoom-lens-camera-launches-26-08-2016/>, dated Aug. 26, 2016.

* cited by examiner

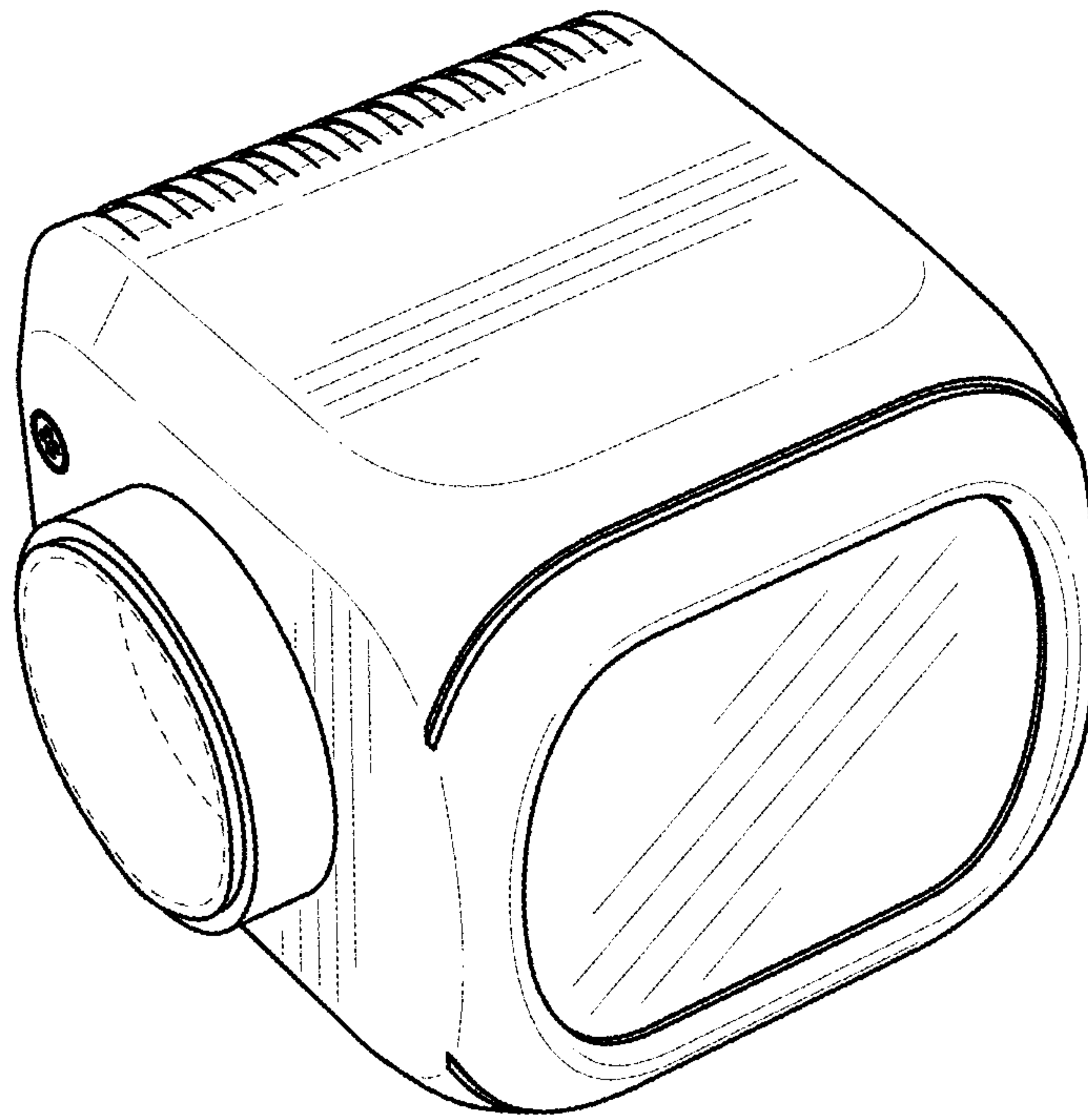


FIG. 1

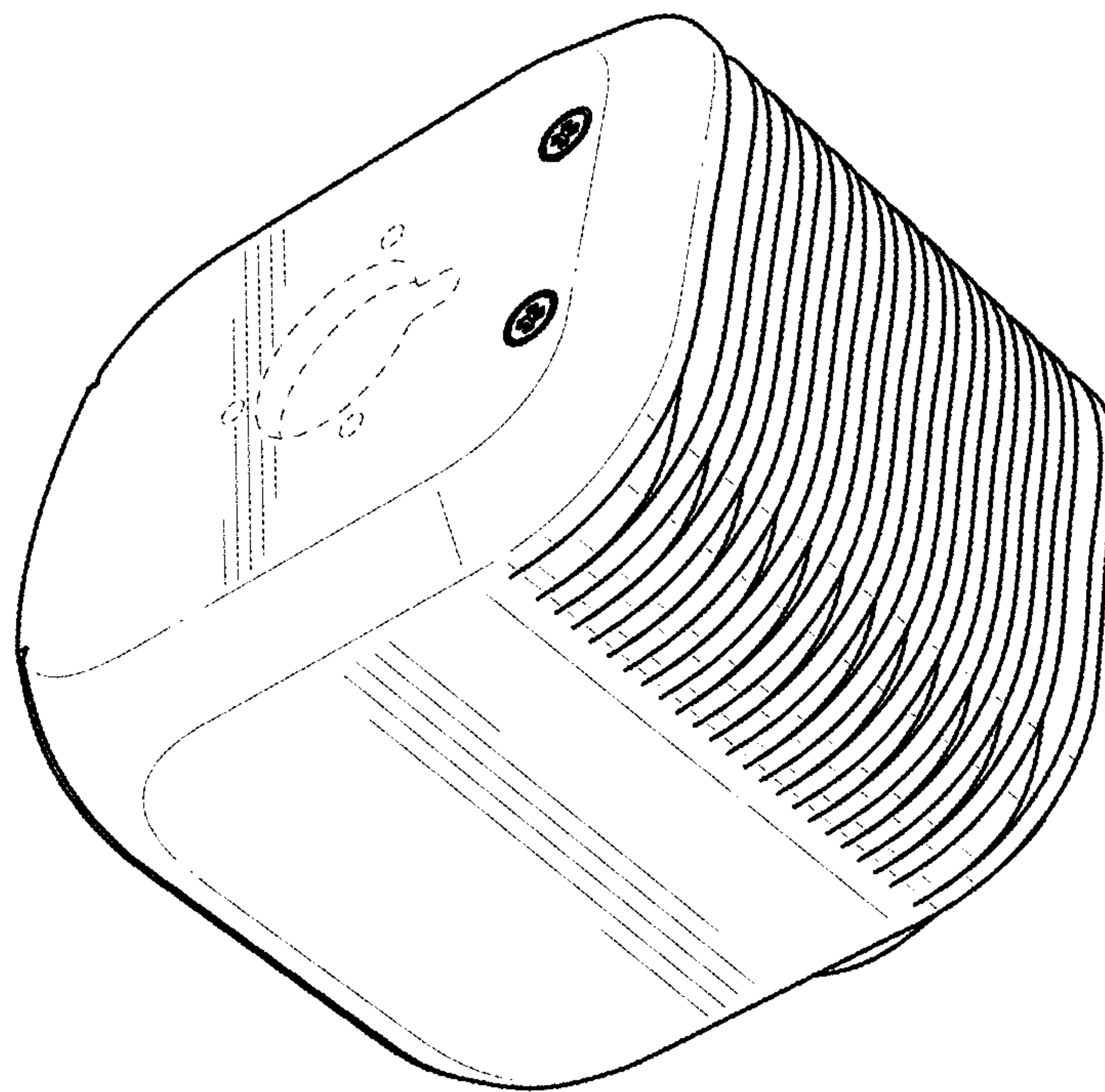


FIG. 2

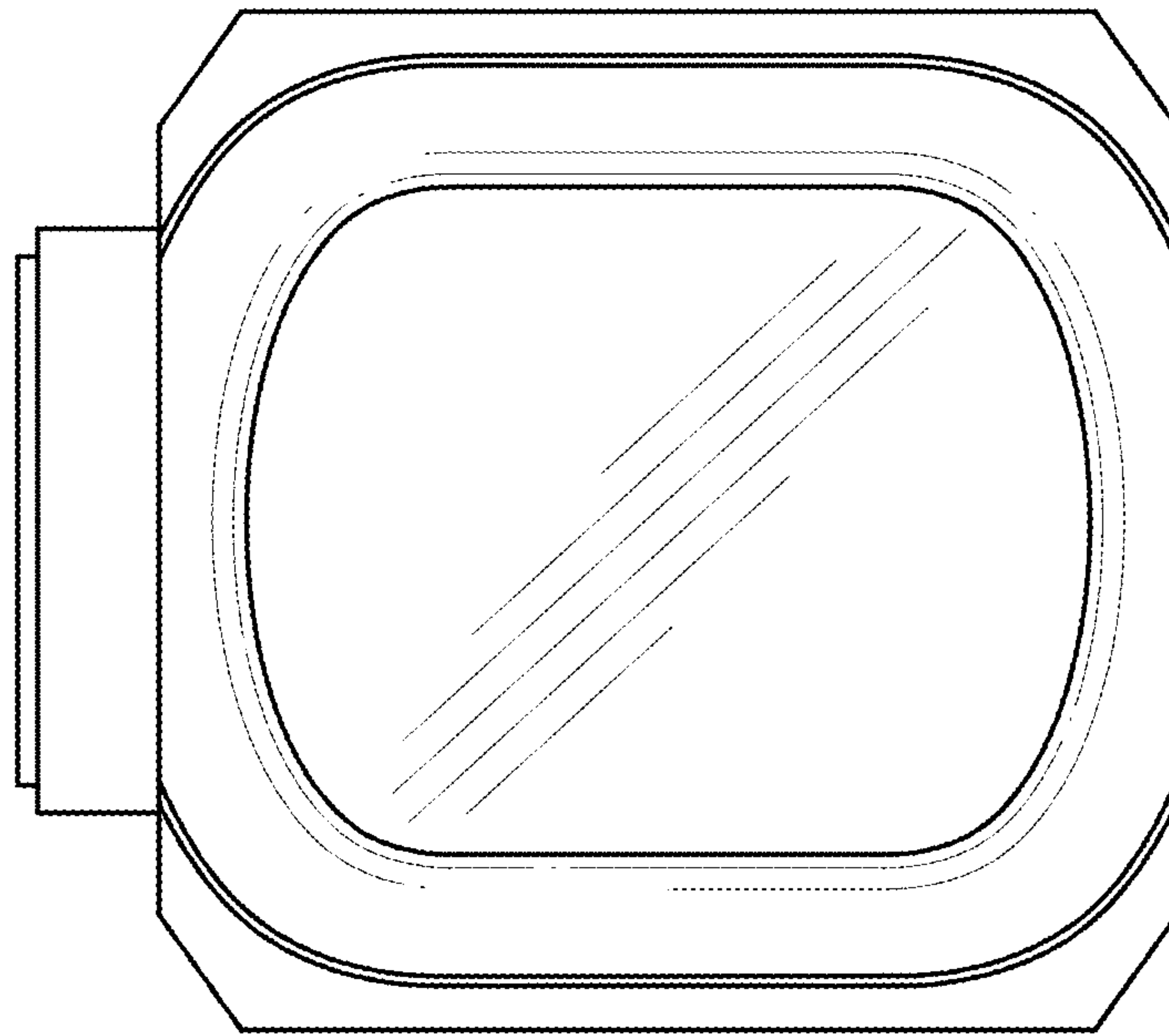


FIG. 3

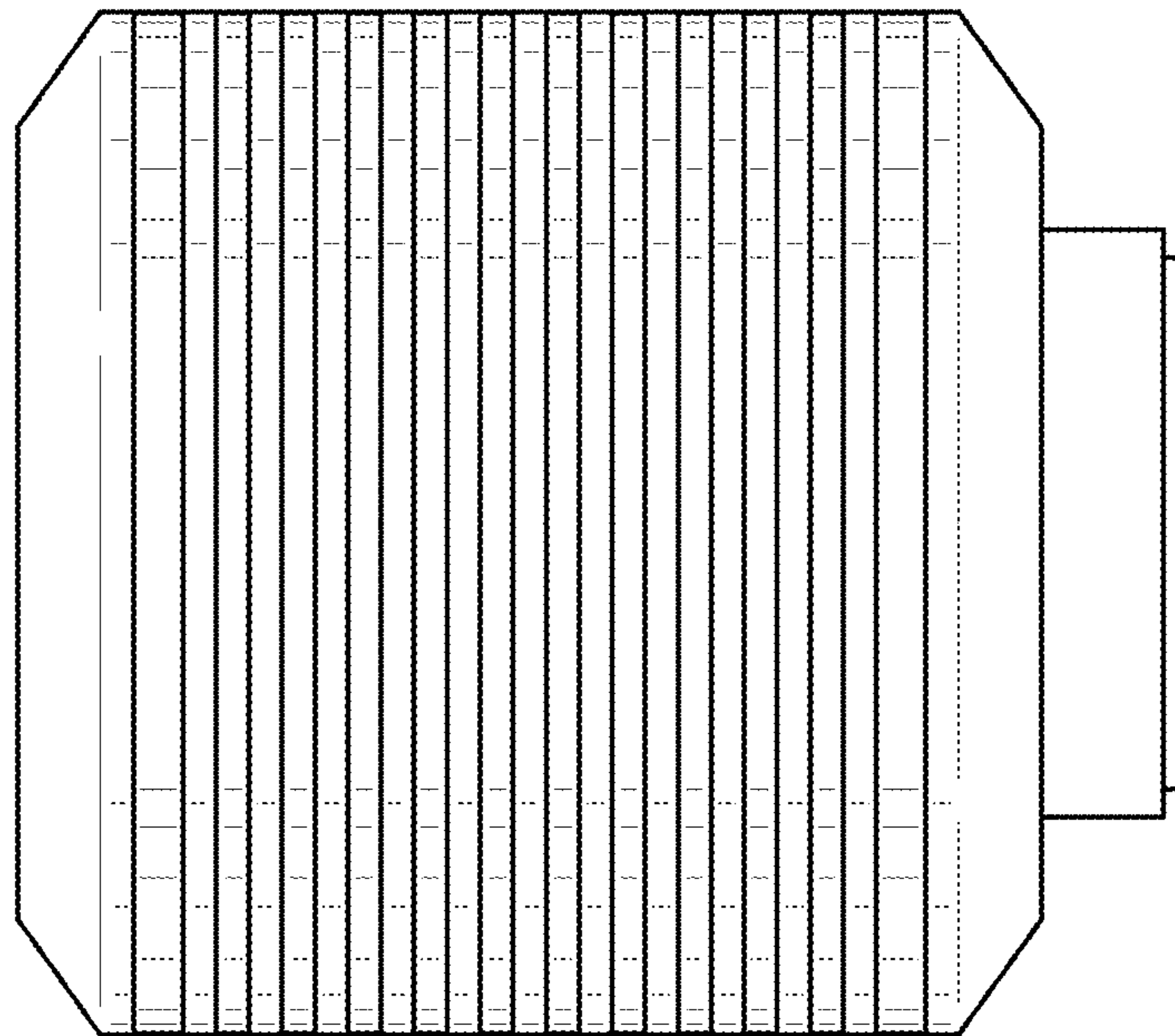


FIG. 4

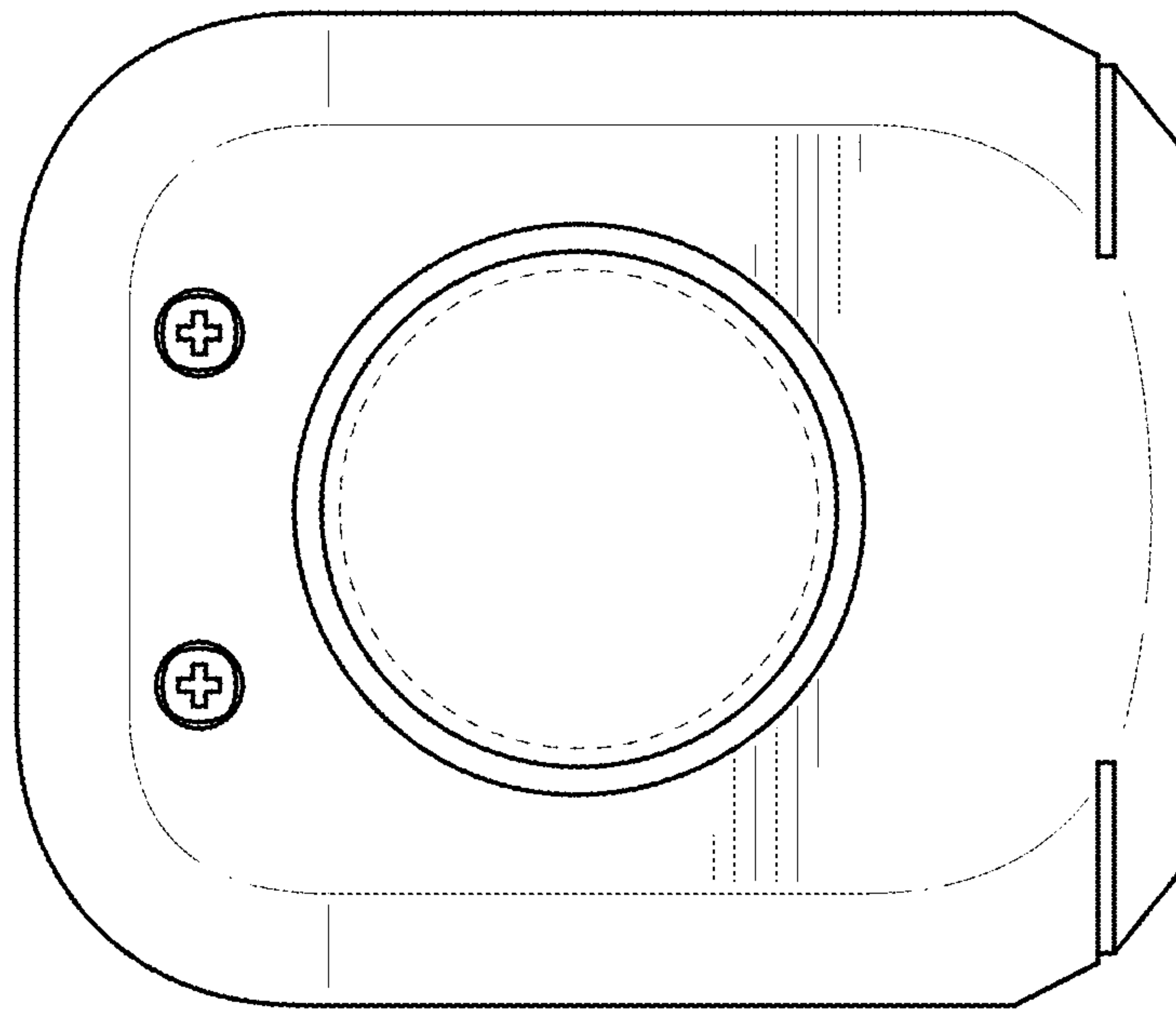


FIG. 5

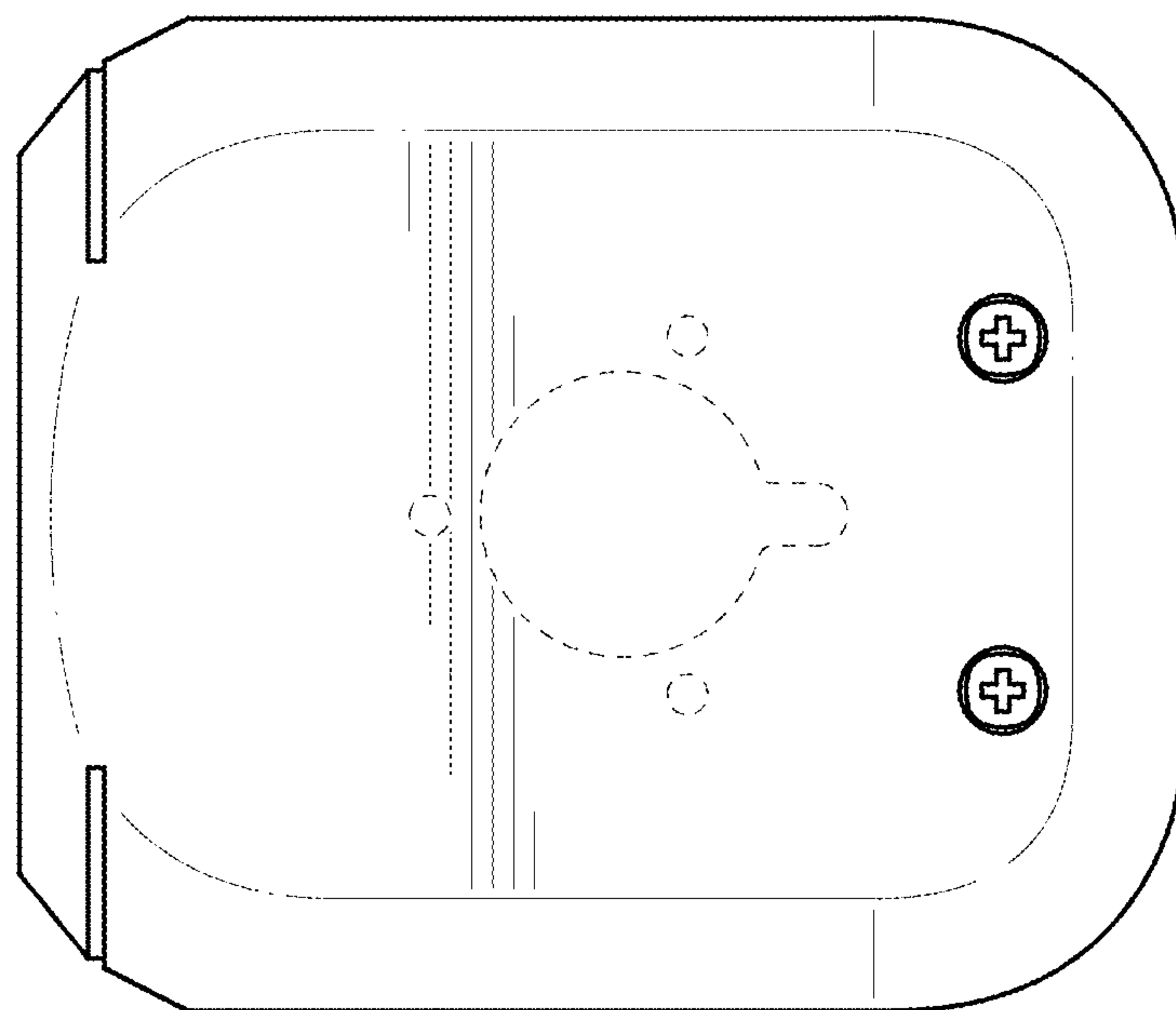


FIG. 6

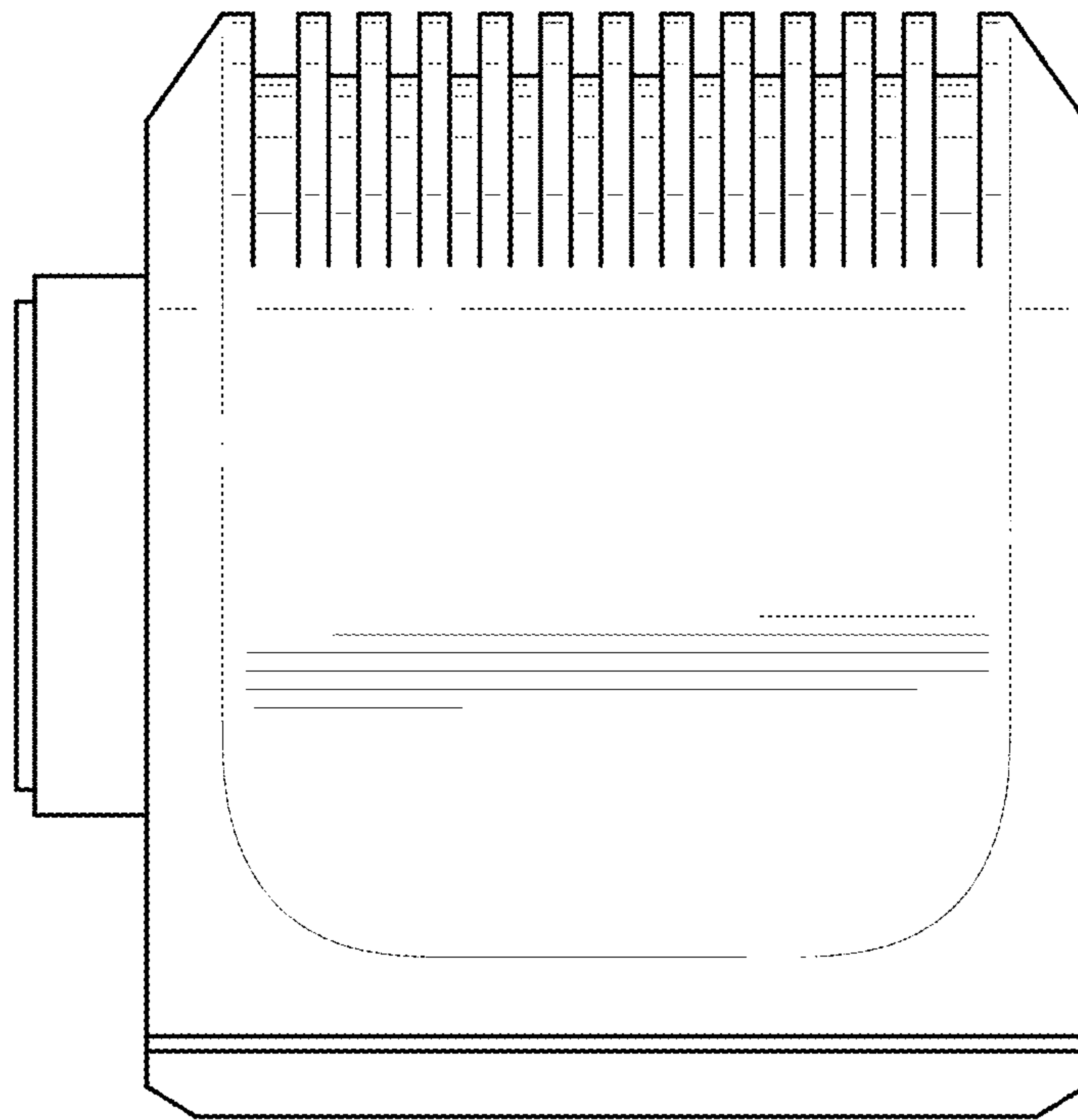


FIG. 7

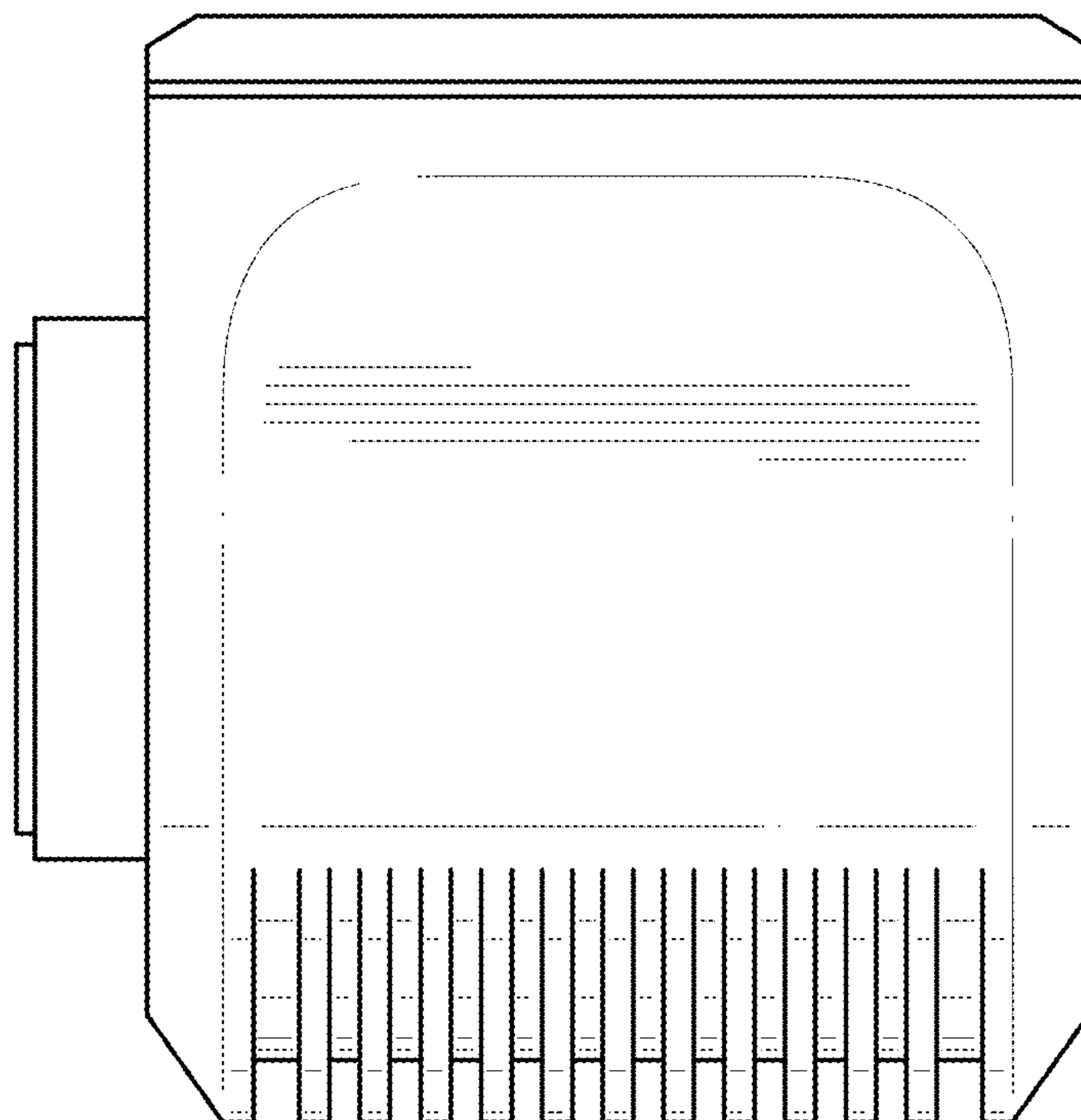


FIG. 8