



US00D874528S

(12) **United States Design Patent** (10) **Patent No.:** **US D874,528 S**
Horstmann et al. (45) **Date of Patent:** **** Feb. 4, 2020**

(54) **HOOD CONNECTOR**
(71) Applicant: **HARTING Electric GmbH & Co. KG**, Espelkamp (DE)
(72) Inventors: **Jens Horstmann**, Espelkamp (DE); **Marcus Göttig**, Zhuhai (CN)
(73) Assignee: **HARTING Electric GmbH & Co. KG**, Espelkamp (DE)
(**) Term: **15 Years**
(21) Appl. No.: **29/682,873**
(22) Filed: **Mar. 8, 2019**

Related U.S. Application Data

(62) Division of application No. 29/594,262, filed on Feb. 16, 2017.
(51) **LOC (12) Cl.** **15-09**
(52) **U.S. Cl.**
USPC **D15/138**
(58) **Field of Classification Search**
USPC D15/122, 138
CPC .. H01R 13/506; H01R 13/514; H01R 13/518;
H01R 13/5812; H01R 13/6592
See application file for complete search history.

References Cited

U.S. PATENT DOCUMENTS

6,435,911 B1 * 8/2002 Payson H01R 13/516
439/320
D518,758 S * 4/2006 Reese D12/101
D518,759 S * 4/2006 Kettler D12/107

2004/0053534 A1 * 3/2004 Beneke H01R 13/514
439/607.01
2009/0070998 A1 * 3/2009 Follmann H01R 4/36
29/874
2009/0220200 A1 * 9/2009 Sheau Tung Wong
G02B 6/3878
385/89
2016/0248189 A1 * 8/2016 Arnesson H01R 24/22
2016/0285194 A1 * 9/2016 Herbrechtsmeier . H01R 13/506
2016/0344147 A1 * 11/2016 Arnesson H02G 3/083
2018/0241150 A1 * 8/2018 Hara H01R 13/4362
2018/0254578 A1 * 9/2018 Herbrechtsmeier . H01R 13/506
2018/0277984 A1 * 9/2018 Hata H01R 13/506

* cited by examiner

Primary Examiner — Patricia A Palasik

(74) *Attorney, Agent, or Firm* — Seed Intellectual Property Law Group LLP

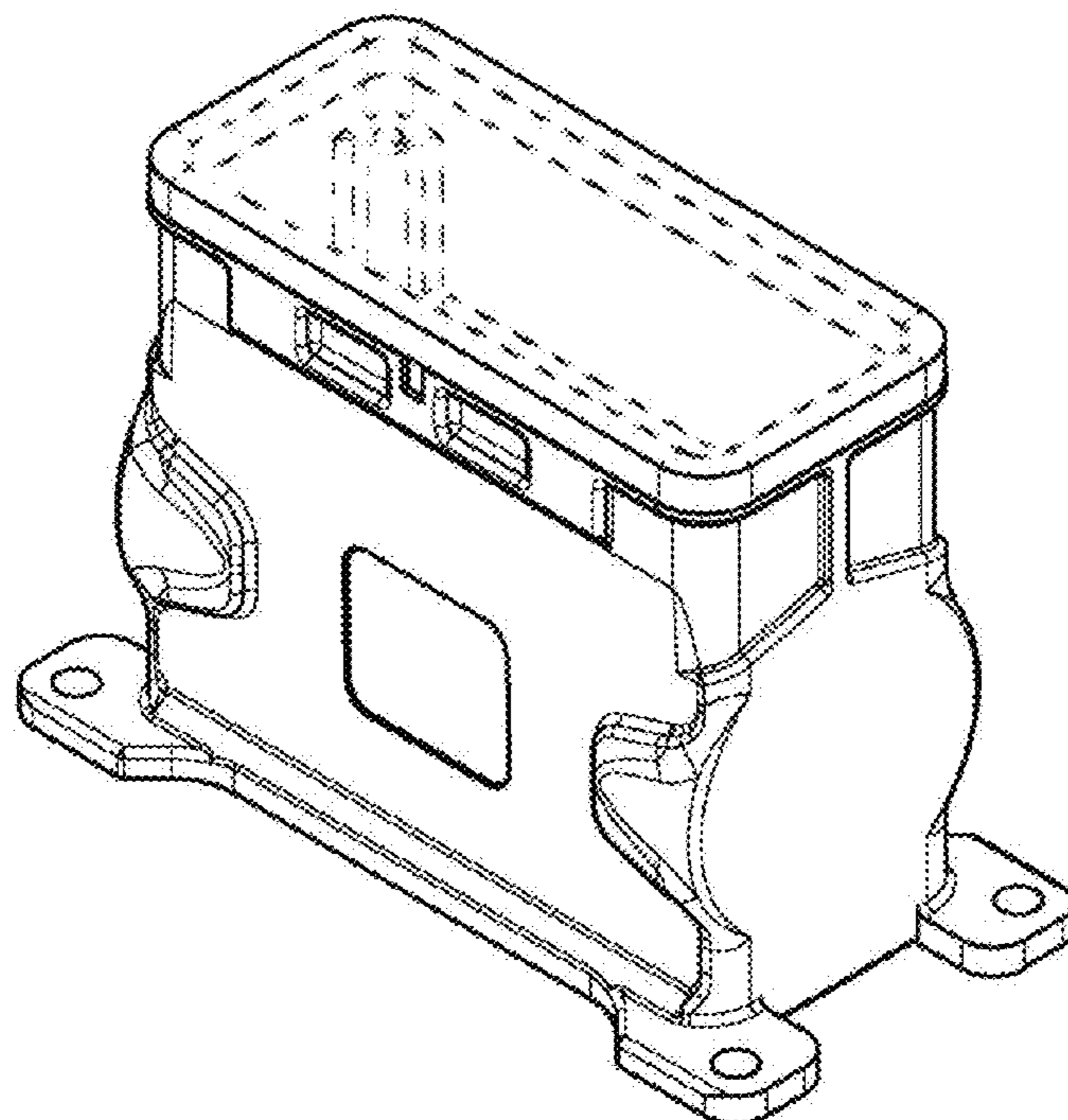
(57) **CLAIM**

The ornamental design for a hood connector, as shown and described.

DESCRIPTION

FIG. 1 is an upper right front axonometric view of a hood connector showing an alternative design.
FIG. 2 is a front elevational view thereof.
FIG. 3 is a rear elevational view thereof.
FIG. 4 is a right side elevational view thereof.
FIG. 5 is a left side elevational view thereof.
FIG. 6 is a top plan view thereof; and,
FIG. 7 is a bottom plan view thereof.
The broken lines in the drawings depict portions of the hood connector and form no part of the claim.

1 Claim, 7 Drawing Sheets



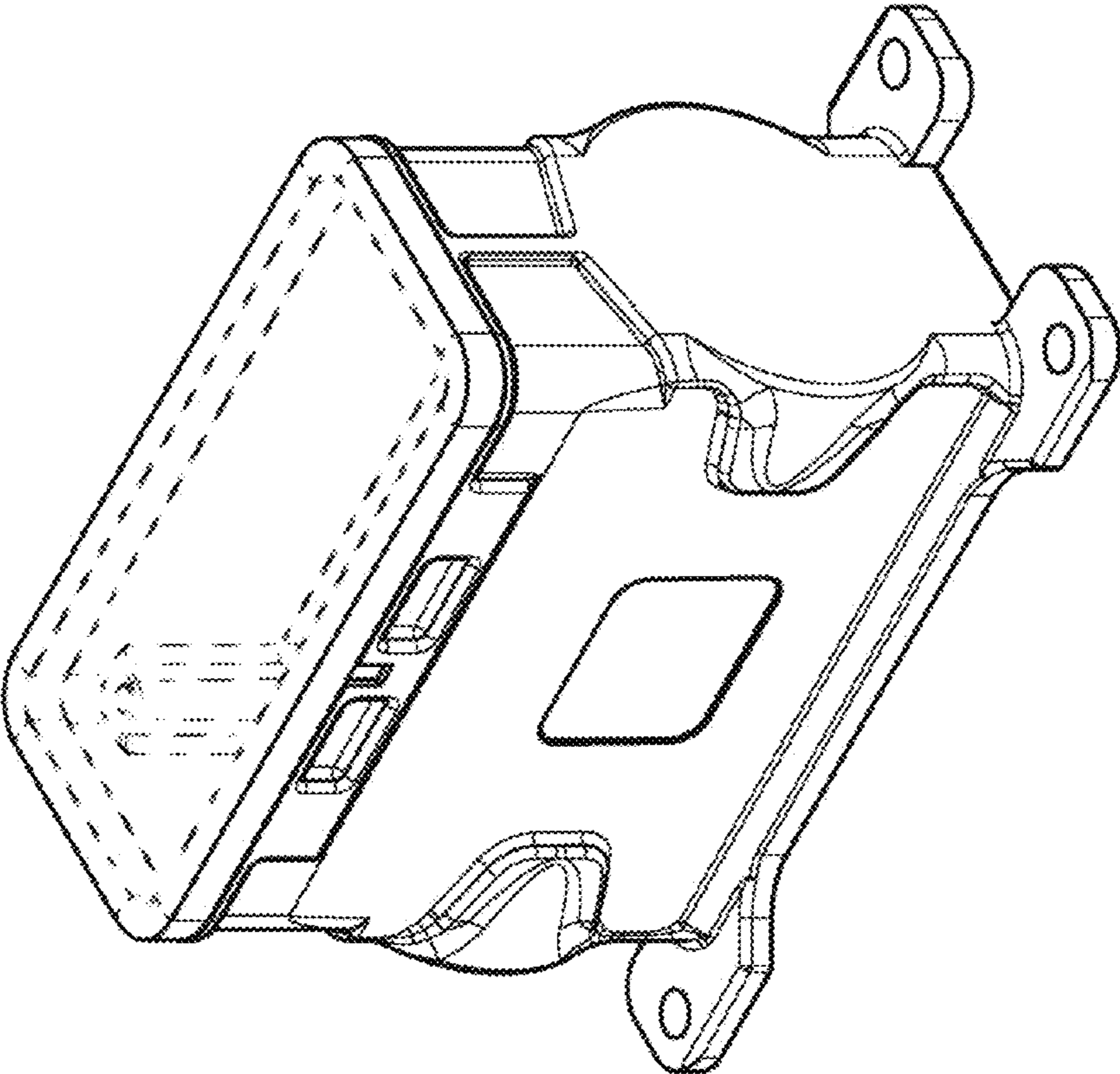


FIG. 1

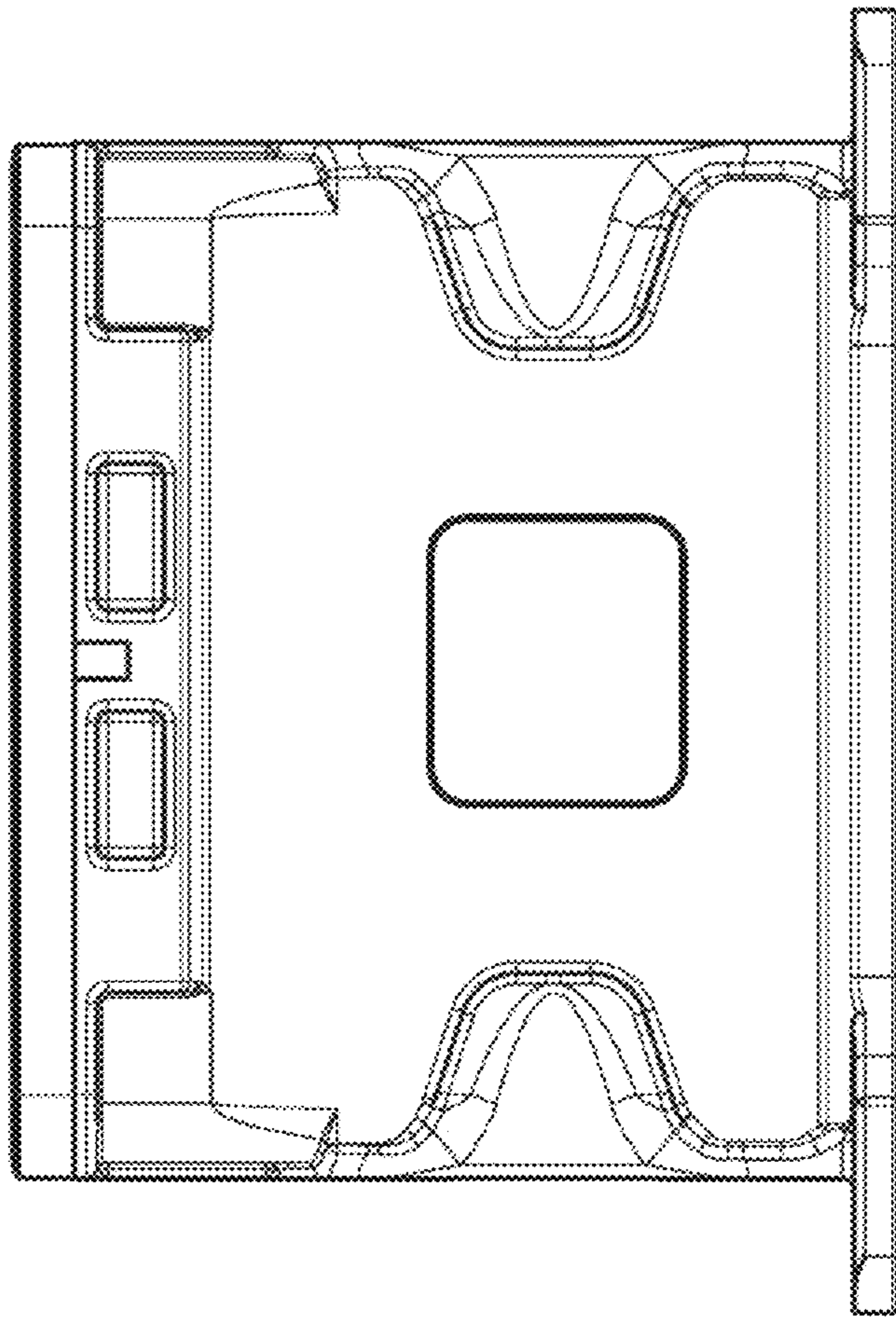


FIG. 2

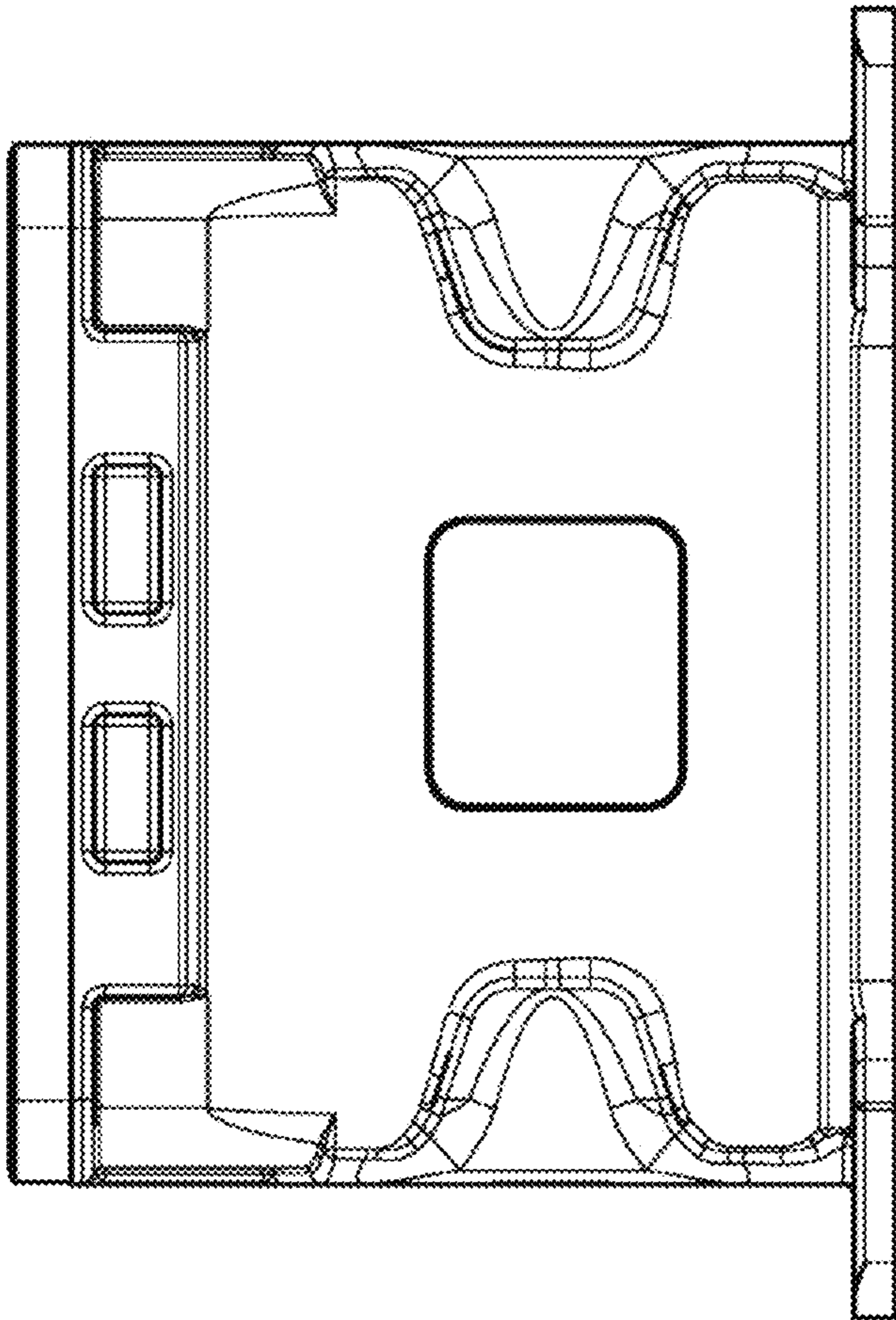


FIG. 3

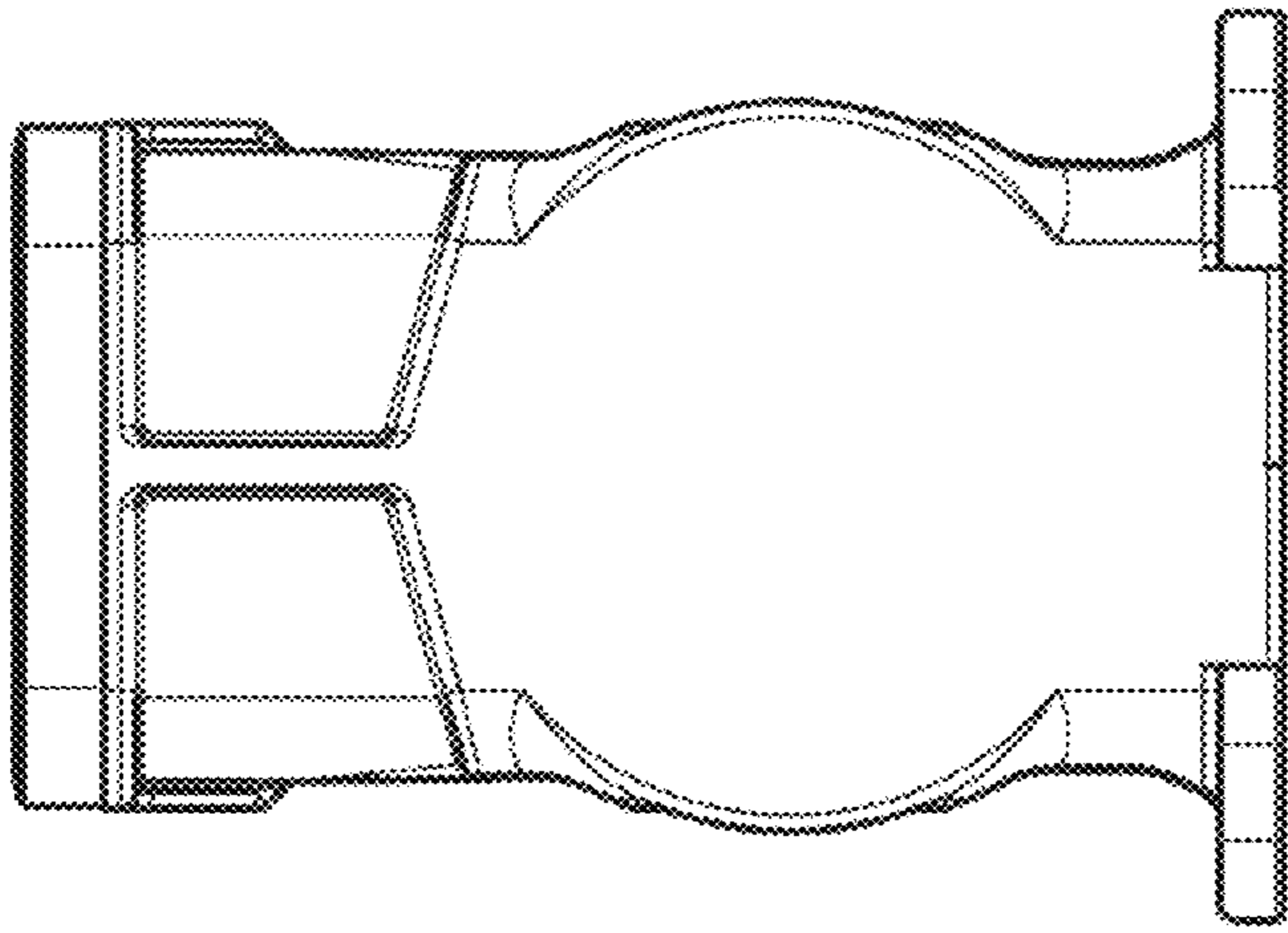


FIG. 4

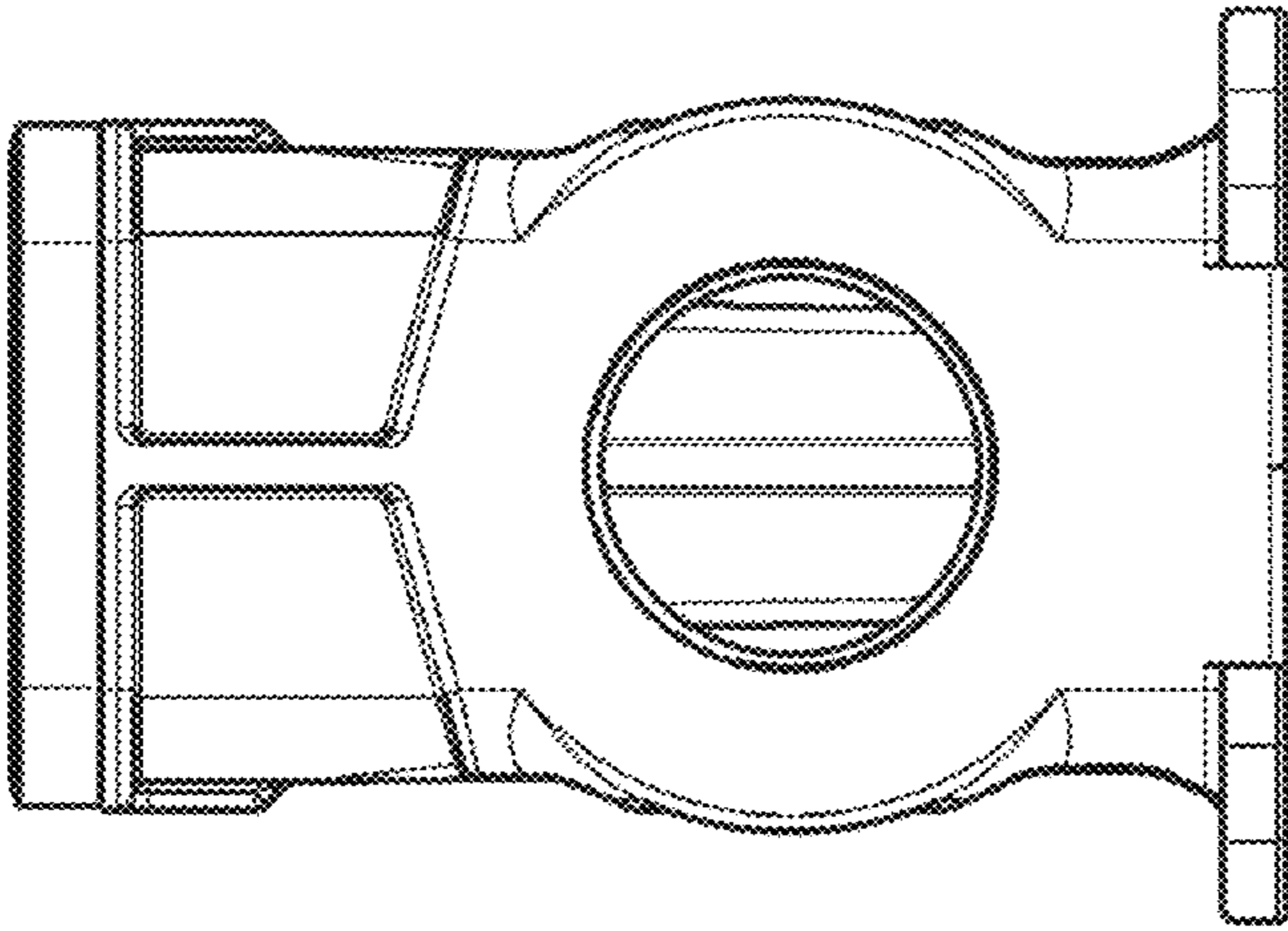


FIG. 5

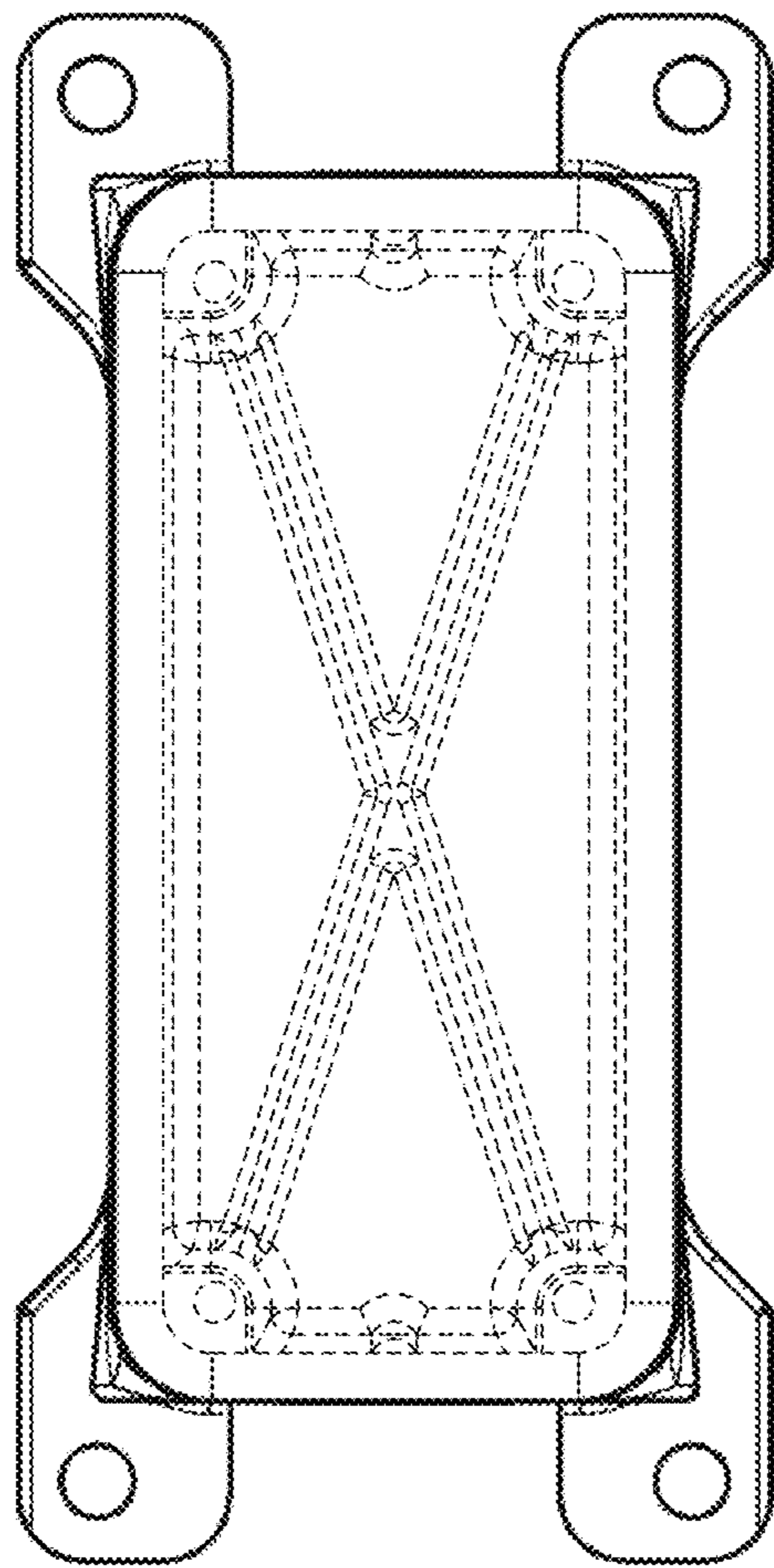


FIG. 6

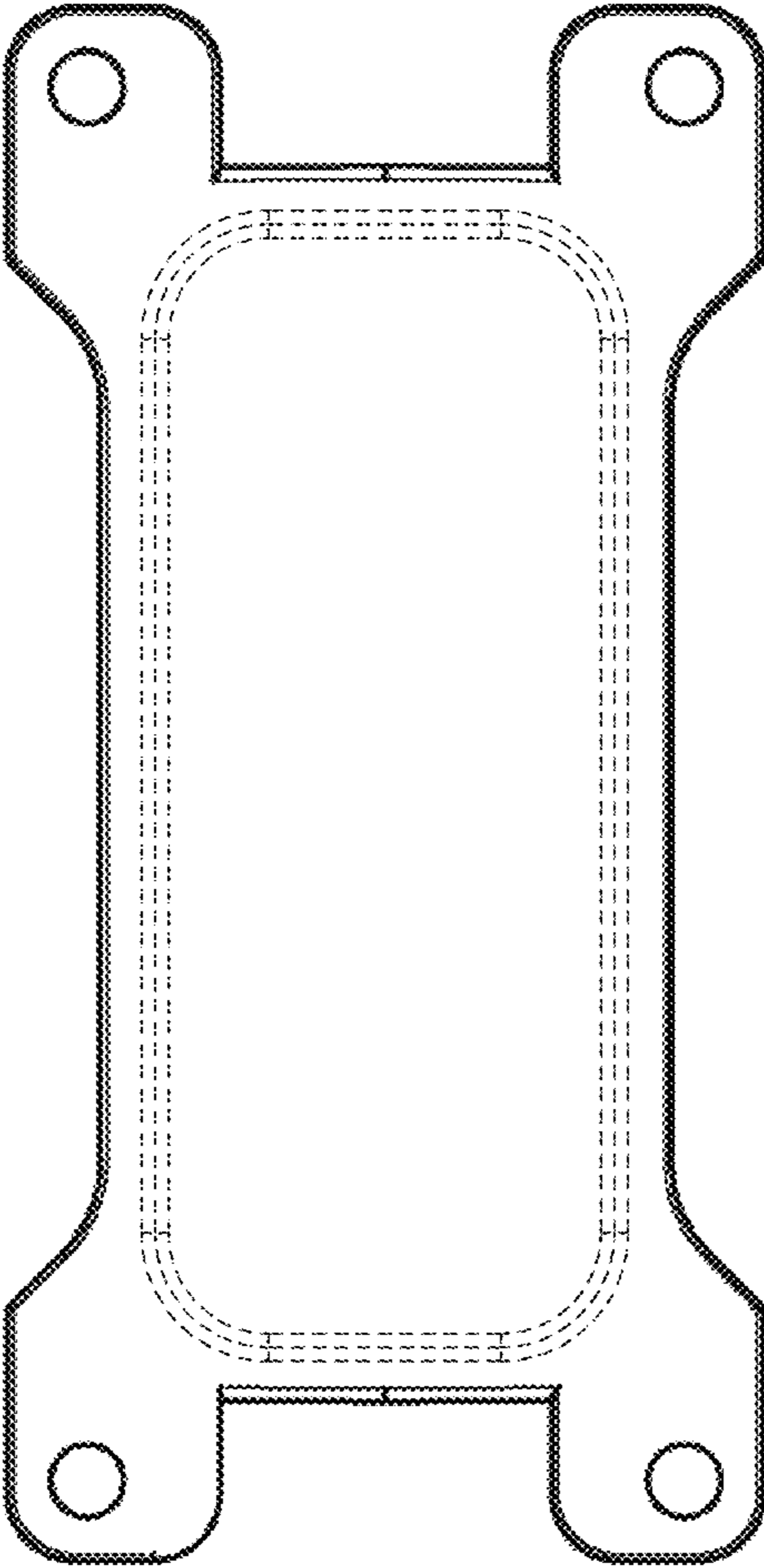


FIG. 7