



US00D874527S

(12) **United States Design Patent**  
**Kim et al.**

(10) **Patent No.:** **US D874,527 S**

(45) **Date of Patent:** **\*\* Feb. 4, 2020**

(54) **REFRIGERATOR**

(71) Applicant: **Samsung Electronics Co., Ltd.**,  
Suwon-si (KR)

(72) Inventors: **Jeongmin Kim**, Seoul (KR);  
**Choongeun Lee**, Seoul (KR)

(73) Assignee: **Samsung Electronics Co., Ltd.**,  
Suwon-si (KR)

(\*\*) Term: **15 Years**

(21) Appl. No.: **29/659,773**

(22) Filed: **Aug. 13, 2018**

(30) **Foreign Application Priority Data**

Jun. 19, 2018 (KR) ..... 30-2018-0028184

(51) **LOC (12) Cl.** ..... **15-07**

(52) **U.S. Cl.**  
USPC ..... **D15/81**

(58) **Field of Classification Search**  
USPC ..... D15/79-91  
CPC .. F25C 5/182; F25C 2400/08; F25C 2400/10;  
F25C 2400/14; F25C 2700/04; F25C  
5/005; F25C 5/007; F25C 5/046; F25C  
5/185

See application file for complete search history.

(56) **References Cited**

**U.S. PATENT DOCUMENTS**

D486,163 S \* 2/2004 Seok ..... D15/81  
D716,349 S \* 10/2014 Heo ..... D15/81

D718,347 S \* 11/2014 Cho ..... D15/81  
D718,348 S \* 11/2014 Kim ..... D15/81  
D736,272 S \* 8/2015 Stolarz ..... D15/81  
D807,928 S \* 1/2018 Kim ..... D15/81  
D838,298 S \* 1/2019 Choi ..... D15/81  
D849,803 S \* 5/2019 Meda ..... D15/79

**FOREIGN PATENT DOCUMENTS**

KR 30-2010-0026594 2/2012  
KR 30-2011-0037845 11/2012  
KR 30-2012-0021491 3/2013  
KR 30-2013-0003506 12/2013

\* cited by examiner

*Primary Examiner* — Khawaja Anwar

(74) *Attorney, Agent, or Firm* — NSIP Law

(57) **CLAIM**

We claim the ornamental design for a refrigerator, as shown and described.

**DESCRIPTION**

FIG. 1 is a front perspective view of a refrigerator showing our new design;

FIG. 2 is a front view thereof;

FIG. 3 is a rear view thereof;

FIG. 4 is a left-side view thereof;

FIG. 5 is a right-side view thereof;

FIG. 6 is a top view thereof;

FIG. 7 is a bottom view thereof; and,

FIG. 8 is another front perspective view thereof with the upper door shown in the closed position.

The broken lines in the figures show portions of the refrigerator which form no part of the claimed design.

**1 Claim, 8 Drawing Sheets**

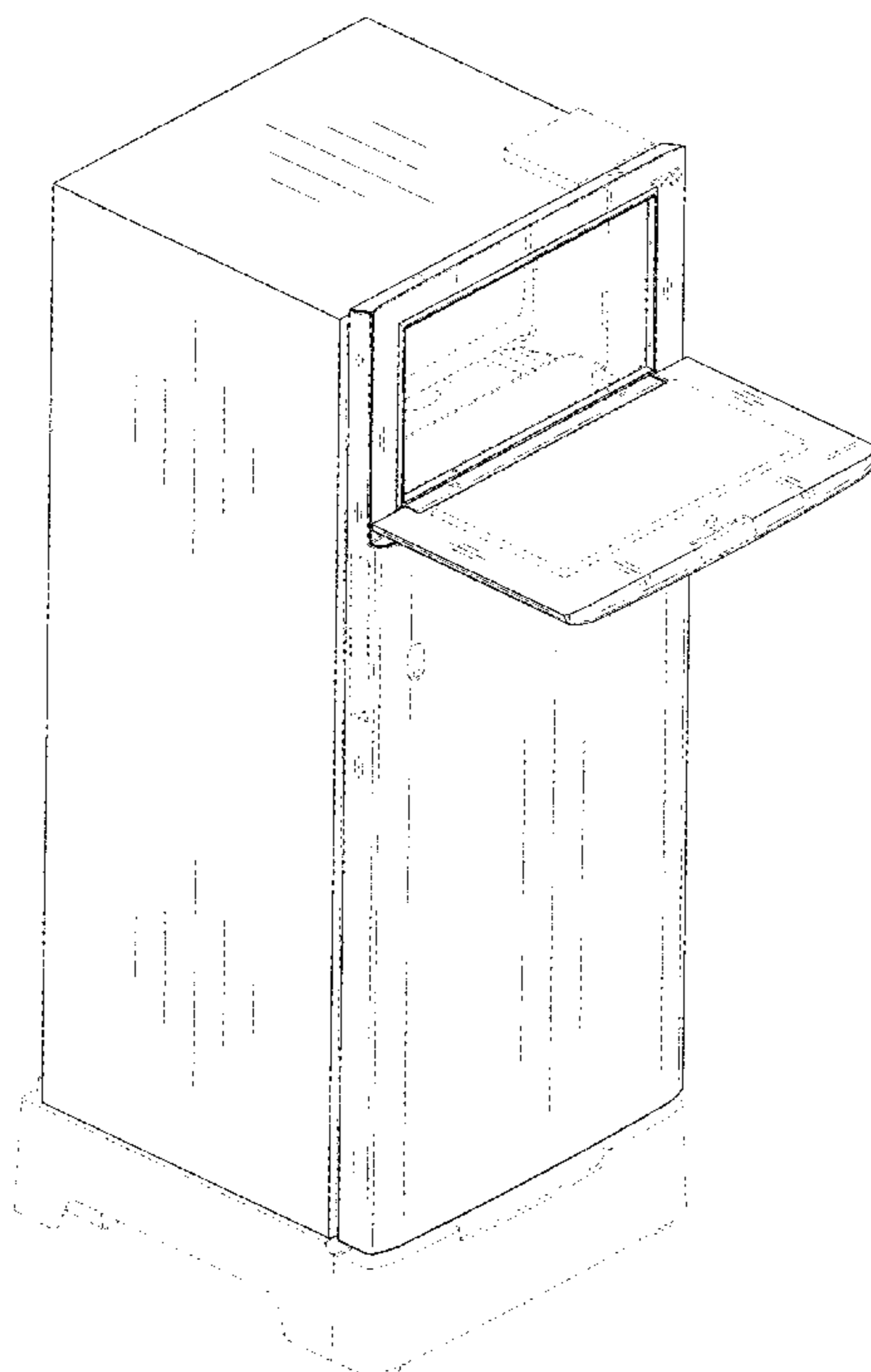


FIG. 1

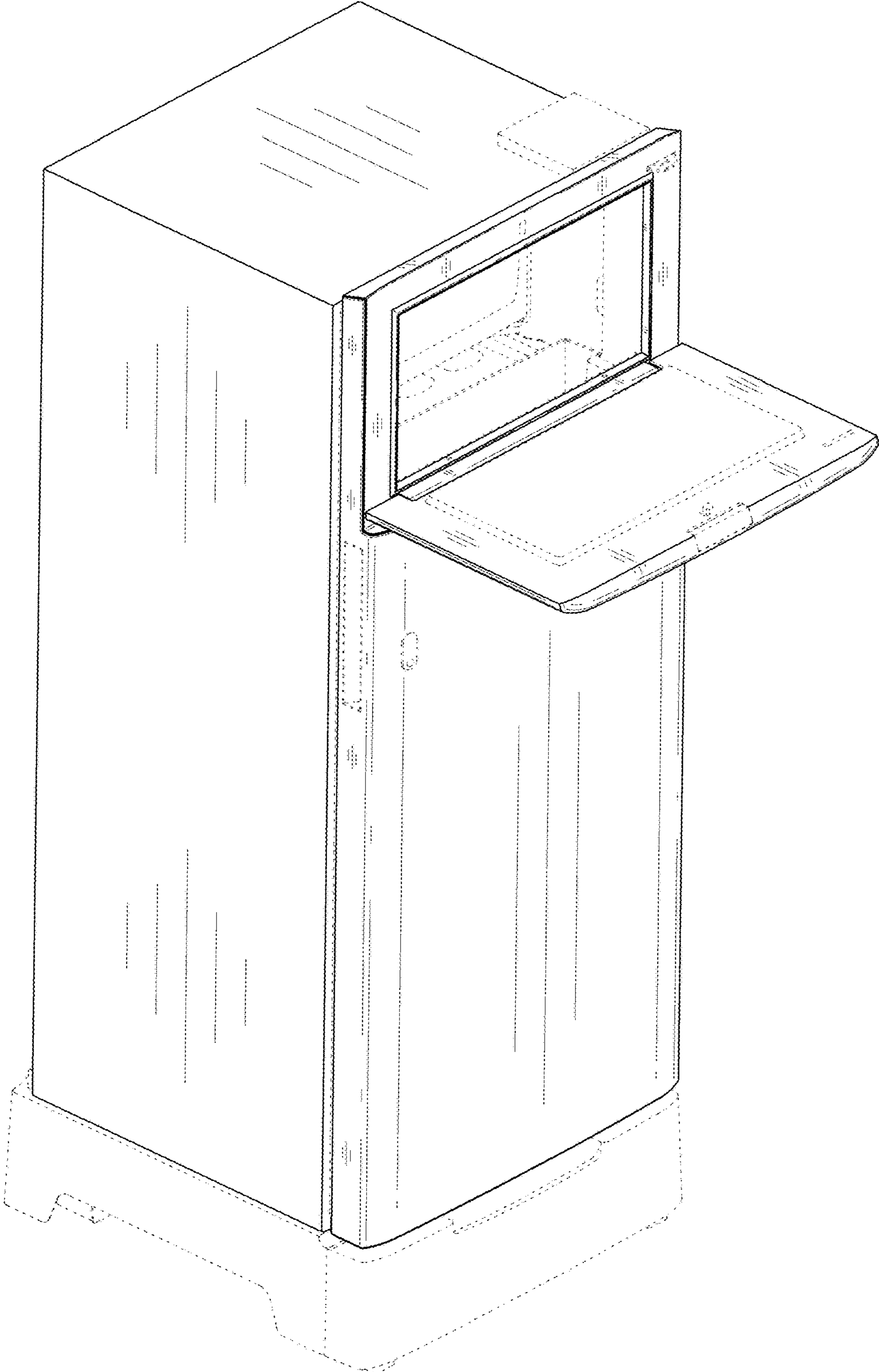


FIG. 2

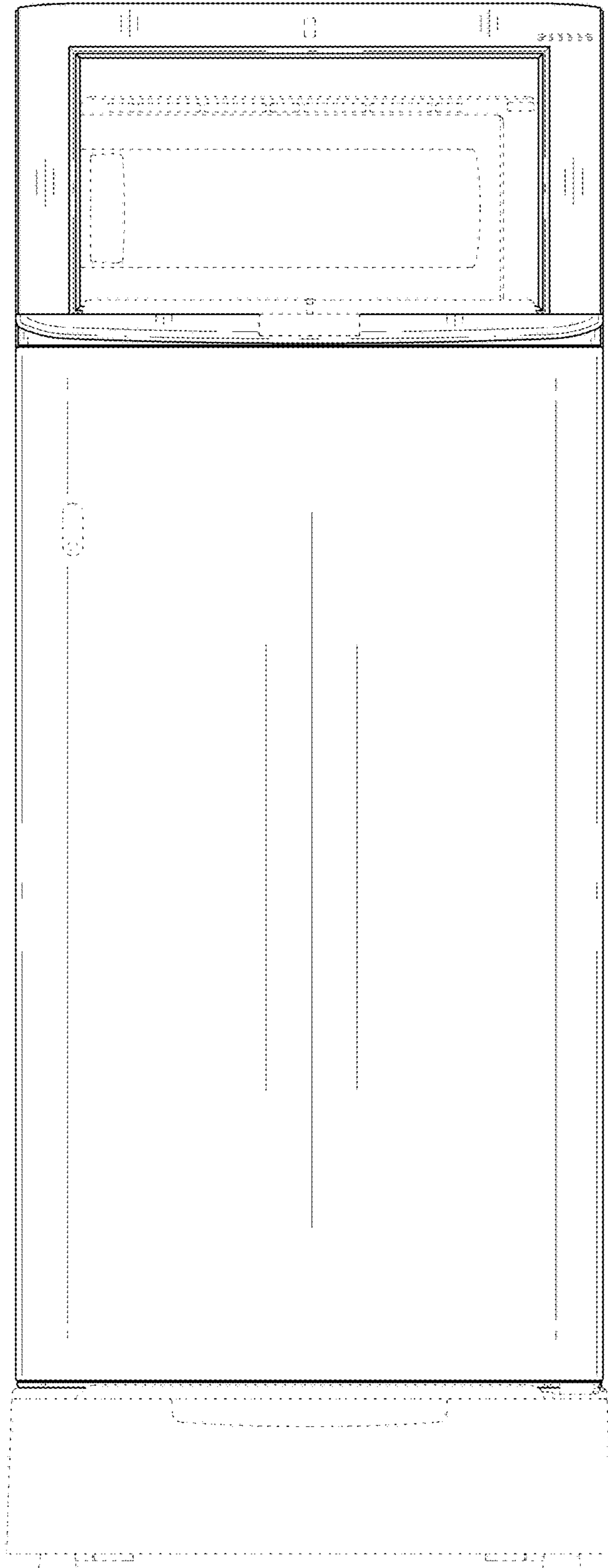


FIG. 3

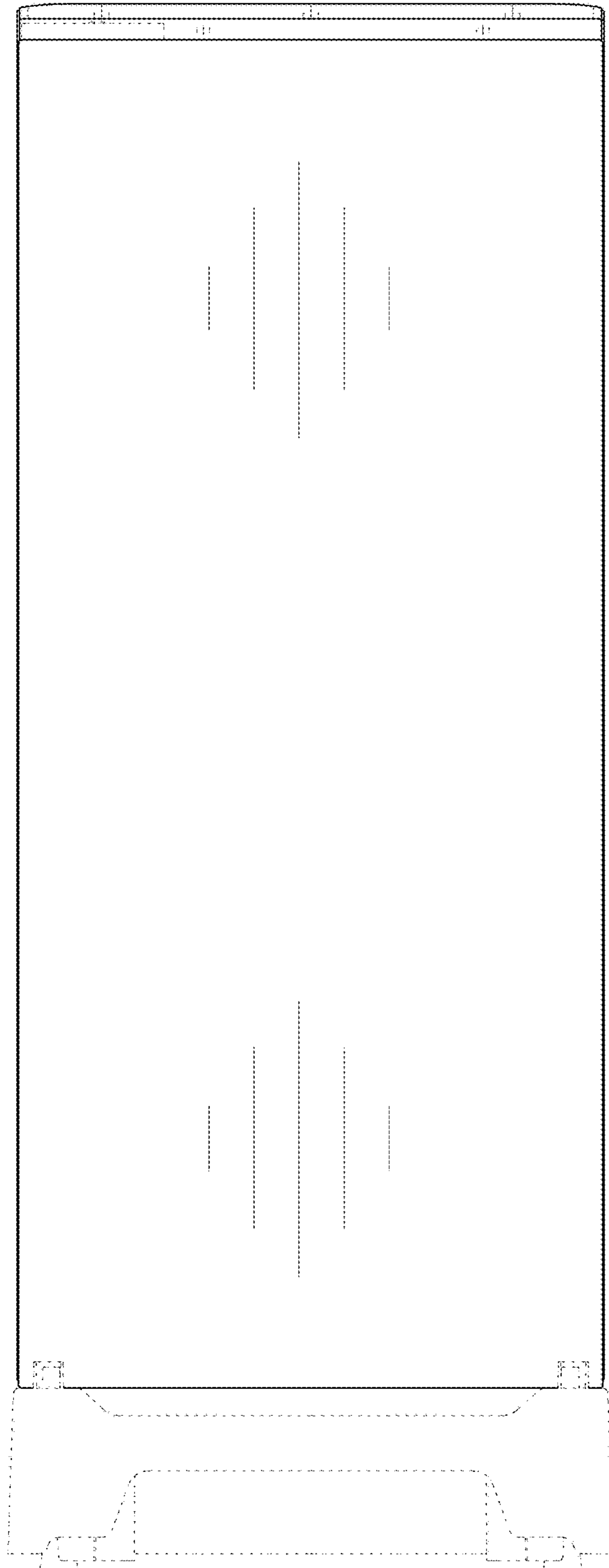


FIG. 4

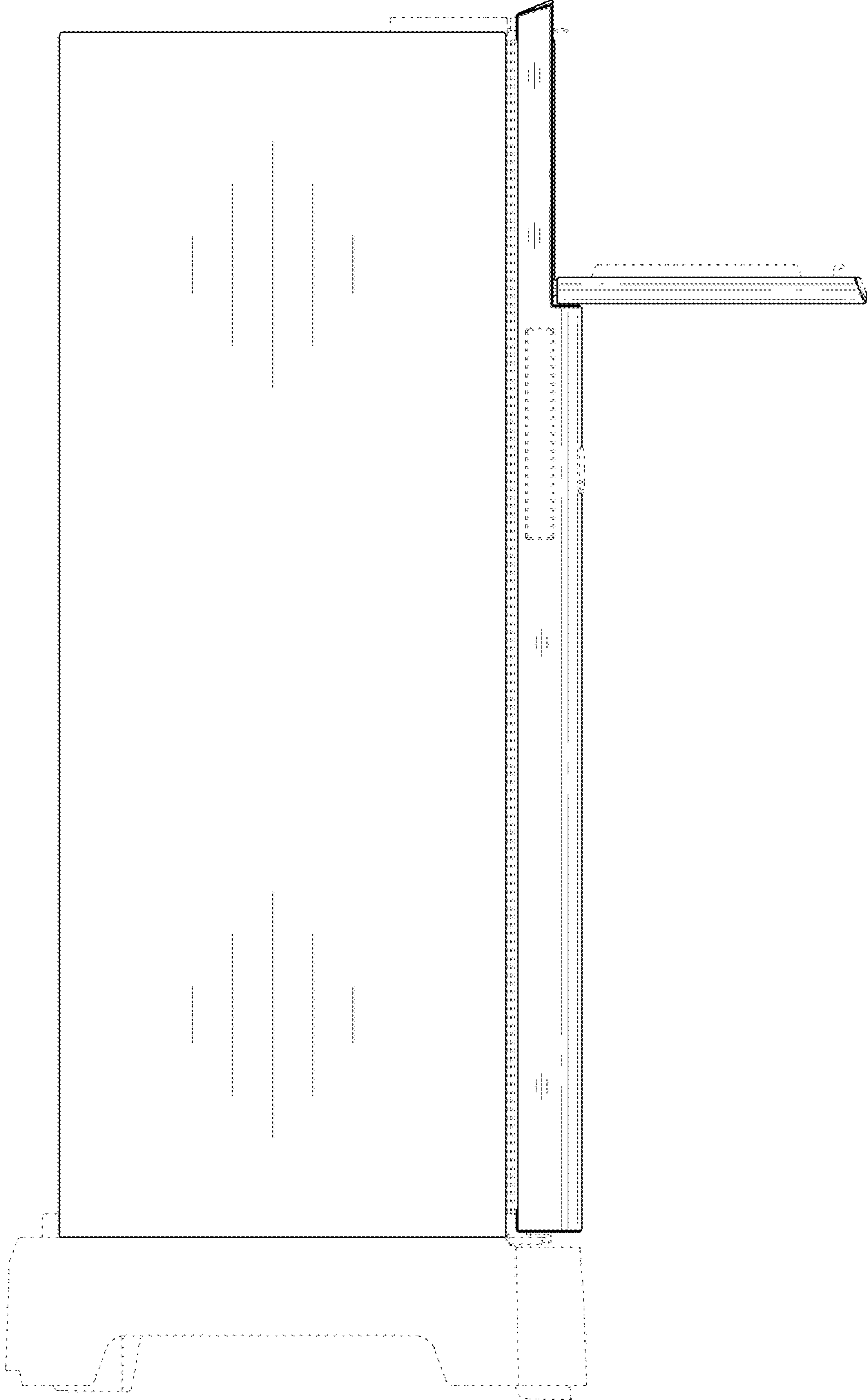


FIG. 5

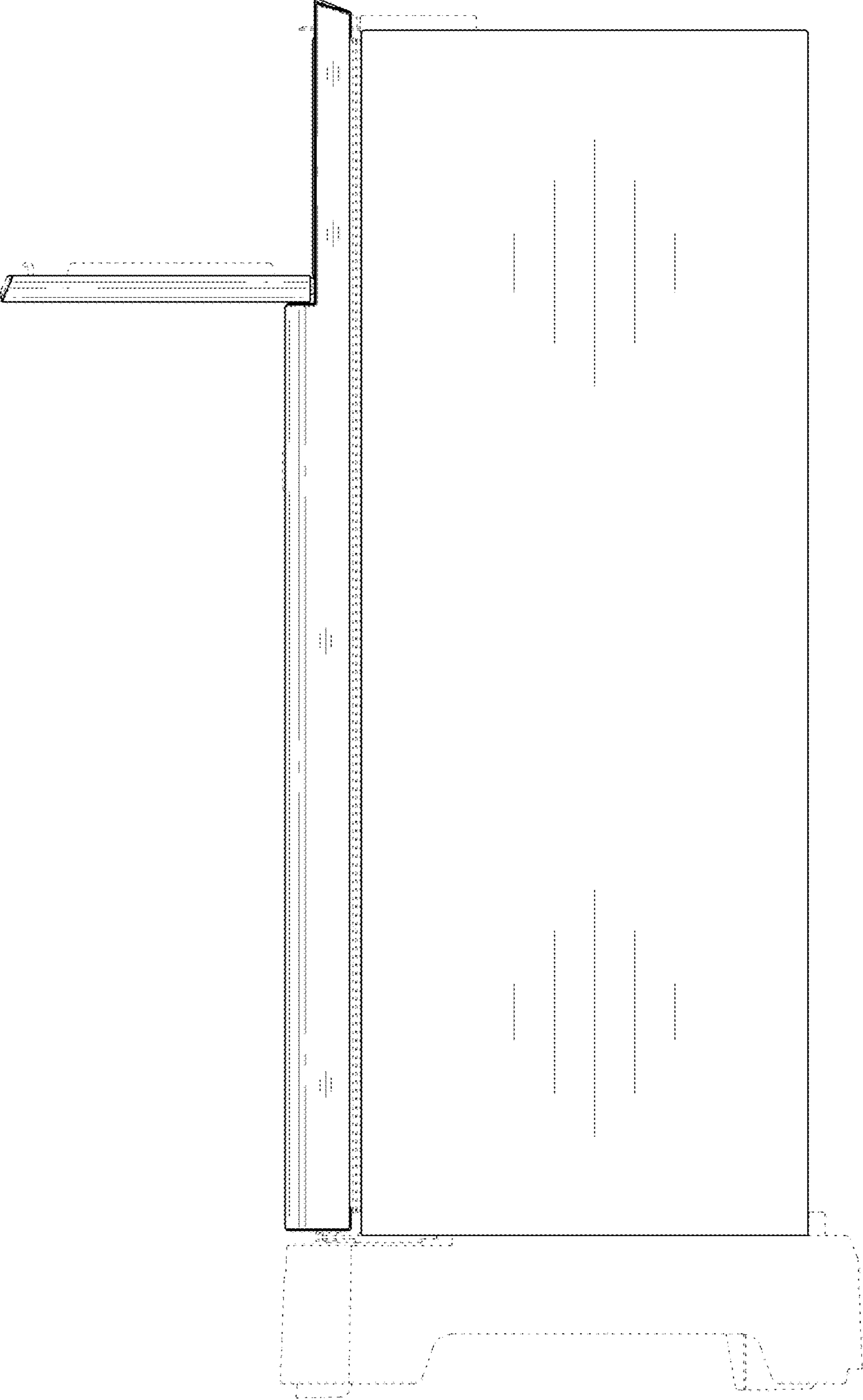


FIG. 6

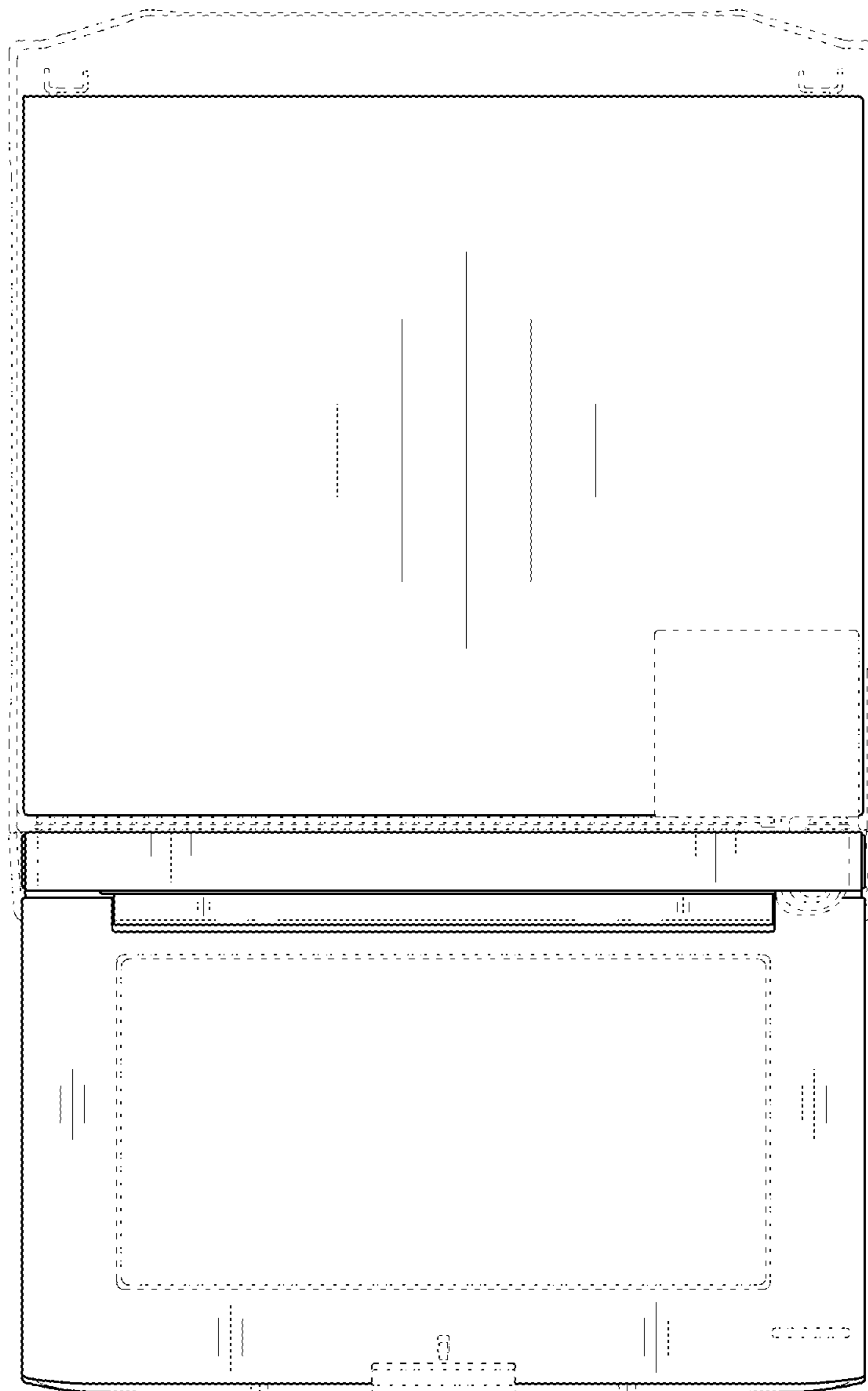


FIG. 7

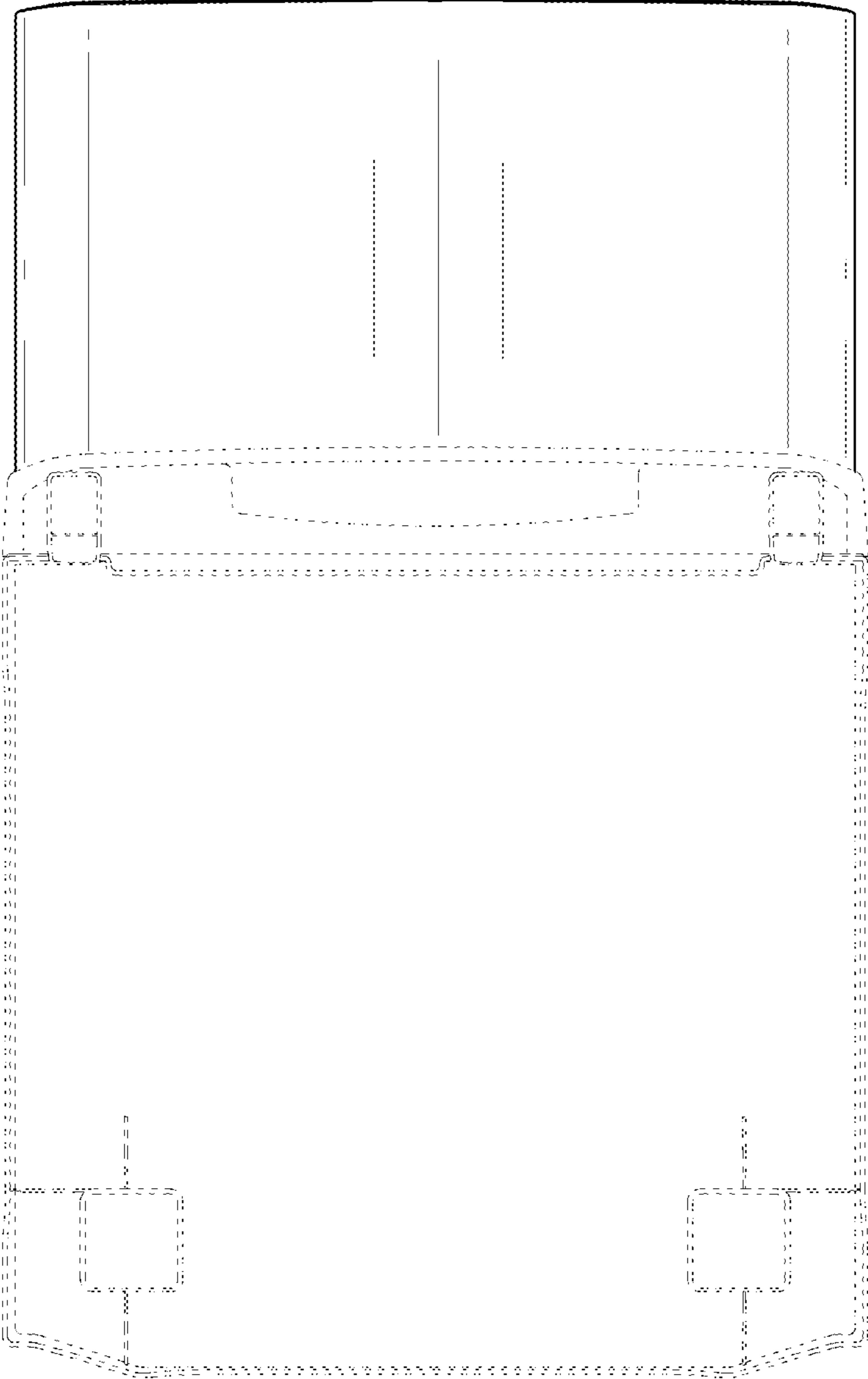




FIG. 8

