



US00D874524S

(12) **United States Design Patent**
Iwata et al.

(10) **Patent No.:** **US D874,524 S**

(45) **Date of Patent:** **** Feb. 4, 2020**

(54) **CAB FOR A CONSTRUCTION MACHINE**

(71) Applicant: **KOMATSU LTD.**, Tokyo (JP)

(72) Inventors: **Teruhisa Iwata**, Tokyo (JP); **Masahiko Hamaguchi**, Tokyo (JP); **Hirofumi Wada**, Tokyo (JP); **Jun Itou**, Tokyo (JP); **Masato Kitashou**, Tokyo (JP)

(73) Assignee: **KOMATSU LTD.**, Tokyo (JP)

(**) Term: **15 Years**

(21) Appl. No.: **29/669,608**

(22) Filed: **Nov. 9, 2018**

(30) **Foreign Application Priority Data**

May 11, 2018 (JP) 2018-010270

(51) **LOC (12) Cl.** **15-03**

(52) **U.S. Cl.**
USPC **D15/30**

(58) **Field of Classification Search**
USPC D15/28, 30, 31, 22-26; D34/37;
180/89.11, 89.12, 89.13, 89.19, 900
CPC .. B66C 13/54; E02F 9/16; E02F 9/163; E02F
9/06; B62D 33/0617; B62D 49/00-085;
B62D 33/06-073; B60J 7/00; B60J 1/004;
B60J 1/02; B60J 1/04; B60J 5/0487
See application file for complete search history.

(56) **References Cited**

U.S. PATENT DOCUMENTS

D288,206 S *	2/1987	Moscovitch	D15/30
D528,134 S *	9/2006	Vandendriessche	D15/30
D531,646 S *	11/2006	McCarren, Jr.	D15/30
D531,647 S *	11/2006	Stender	D15/30
D533,569 S *	12/2006	Mursch	D15/28

D541,825 S *	5/2007	Pettersson	D15/30
D541,826 S *	5/2007	Brush	D15/30
D561,205 S *	2/2008	Pettersson	D15/30
D579,028 S *	10/2008	VanDeVeer	D15/30
D603,881 S *	11/2009	Tamplain, III	D15/30
D605,207 S *	12/2009	Menges	D15/30
D625,741 S *	10/2010	Seidel	D15/30
D632,704 S *	2/2011	Seidel	D12/182
D660,881 S *	5/2012	Bohme	D15/30
D667,851 S *	9/2012	Warr	D15/30
D668,693 S *	10/2012	Ringer	D15/30
D670,745 S *	11/2012	Warr	D15/30
D671,566 S *	11/2012	Fang	D15/30
D720,370 S *	12/2014	Carter	D15/30
D736,270 S *	8/2015	Jackson	D15/30
D749,148 S *	2/2016	Darekar	D15/30
D774,111 S *	12/2016	Underhill	D15/30
D775,244 S *	12/2016	Hart	D15/30
D777,805 S *	1/2017	Steinhardt	D15/30
D780,231 S *	2/2017	Saari	D15/30
D780,232 S *	2/2017	Saari	D15/30
D780,233 S *	2/2017	Saari	D15/30

(Continued)

Primary Examiner — Mark A Goodwin

(74) *Attorney, Agent, or Firm* — Fox Rothschild LLP

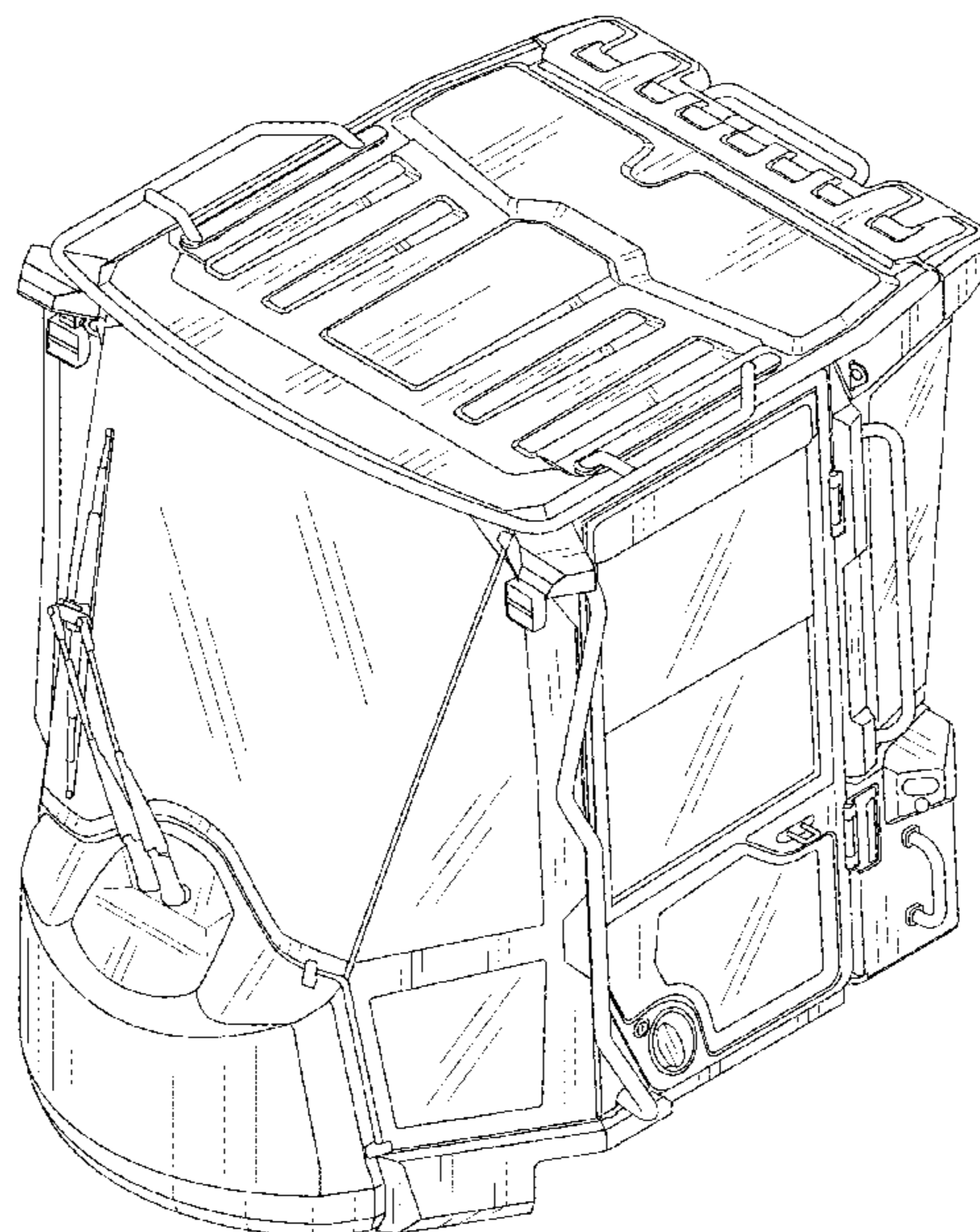
(57) **CLAIM**

The ornamental design for a cab for a construction machine, as shown and described.

DESCRIPTION

FIG. 1 is a front, top and right side perspective view of a cab for a construction machine showing our new design; FIG. 2 is a rear, top and left side perspective view thereof; FIG. 3 is a left side view thereof; FIG. 4 is a right side view thereof; FIG. 5 is a top plan view thereof; FIG. 6 is a bottom plan view thereof; FIG. 7 is a rear view thereof; and, FIG. 8 is a front view thereof.

1 Claim, 8 Drawing Sheets



(56)

References Cited

U.S. PATENT DOCUMENTS

D780,235 S * 2/2017 Kim D15/30
D784,425 S * 4/2017 Cooksey D15/30

* cited by examiner

FIG. 1

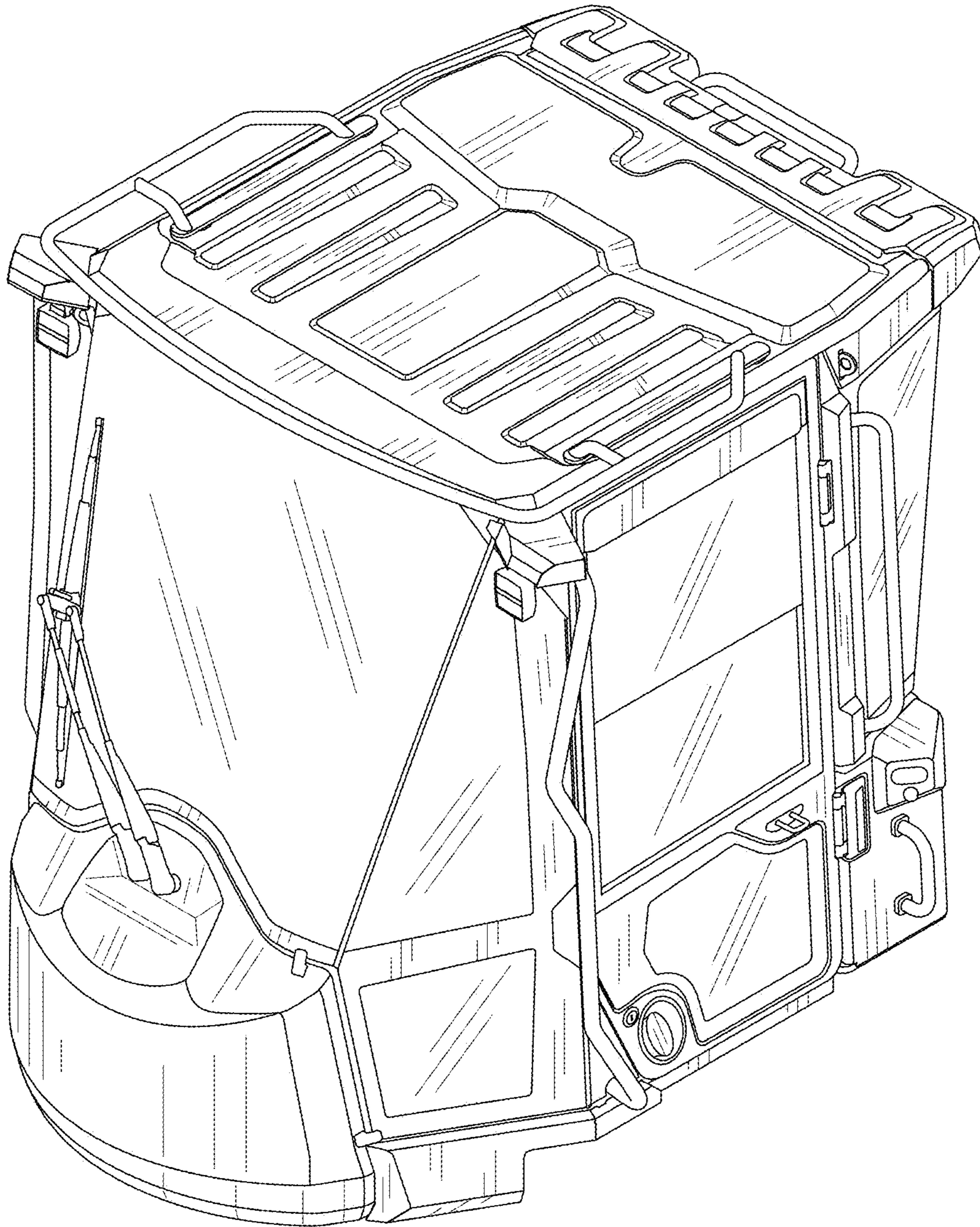


FIG. 2

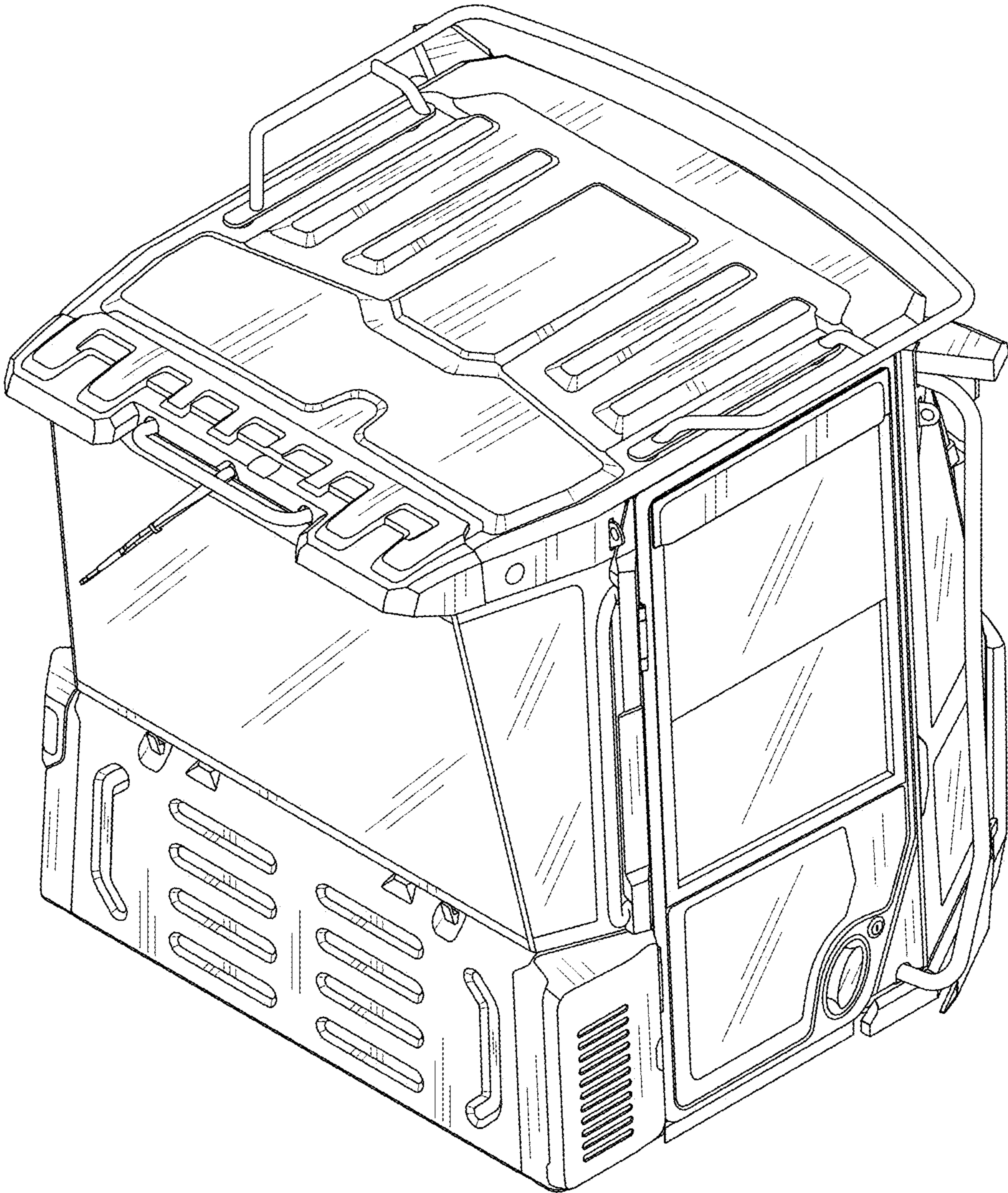


FIG. 3

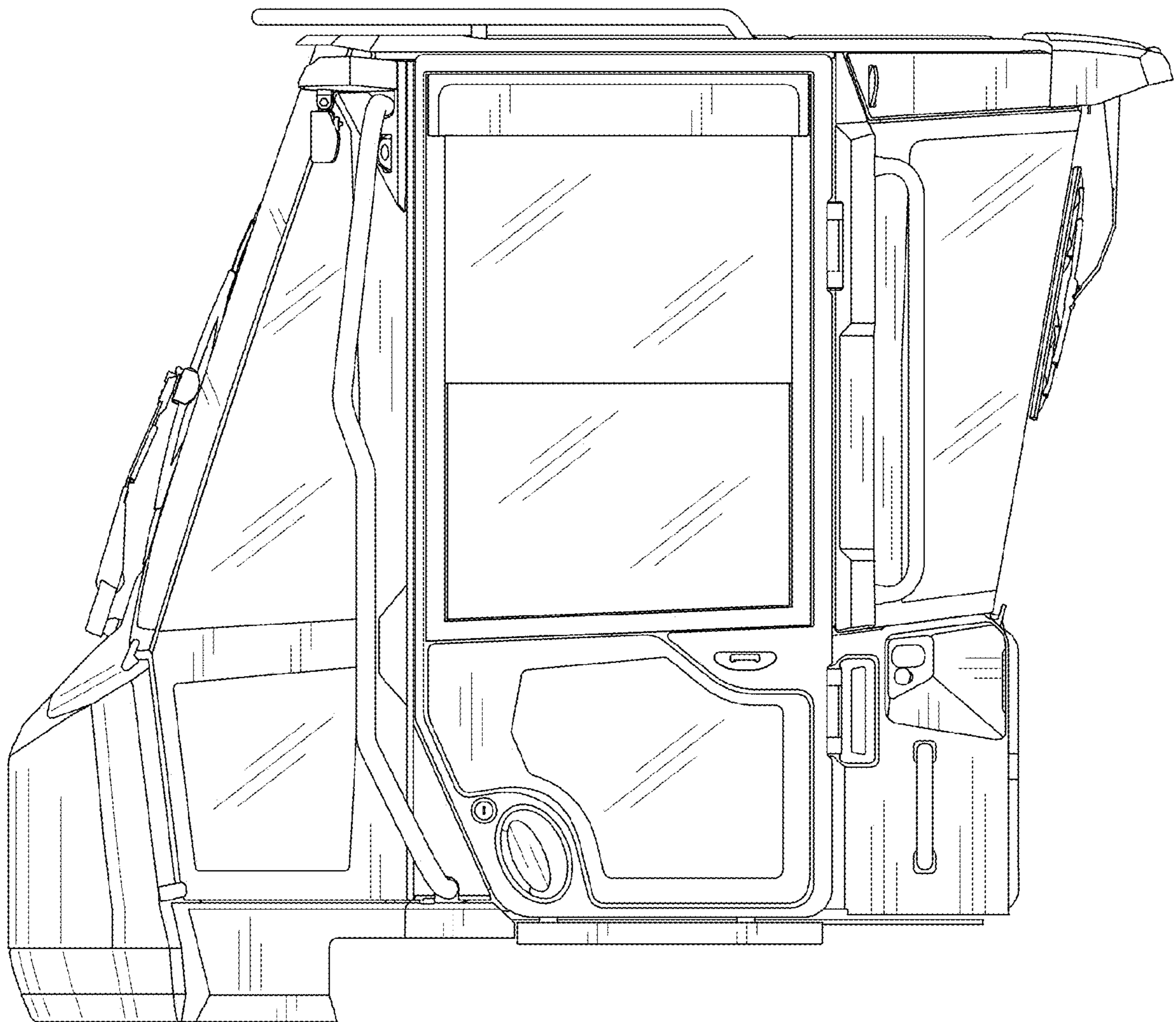


FIG. 4

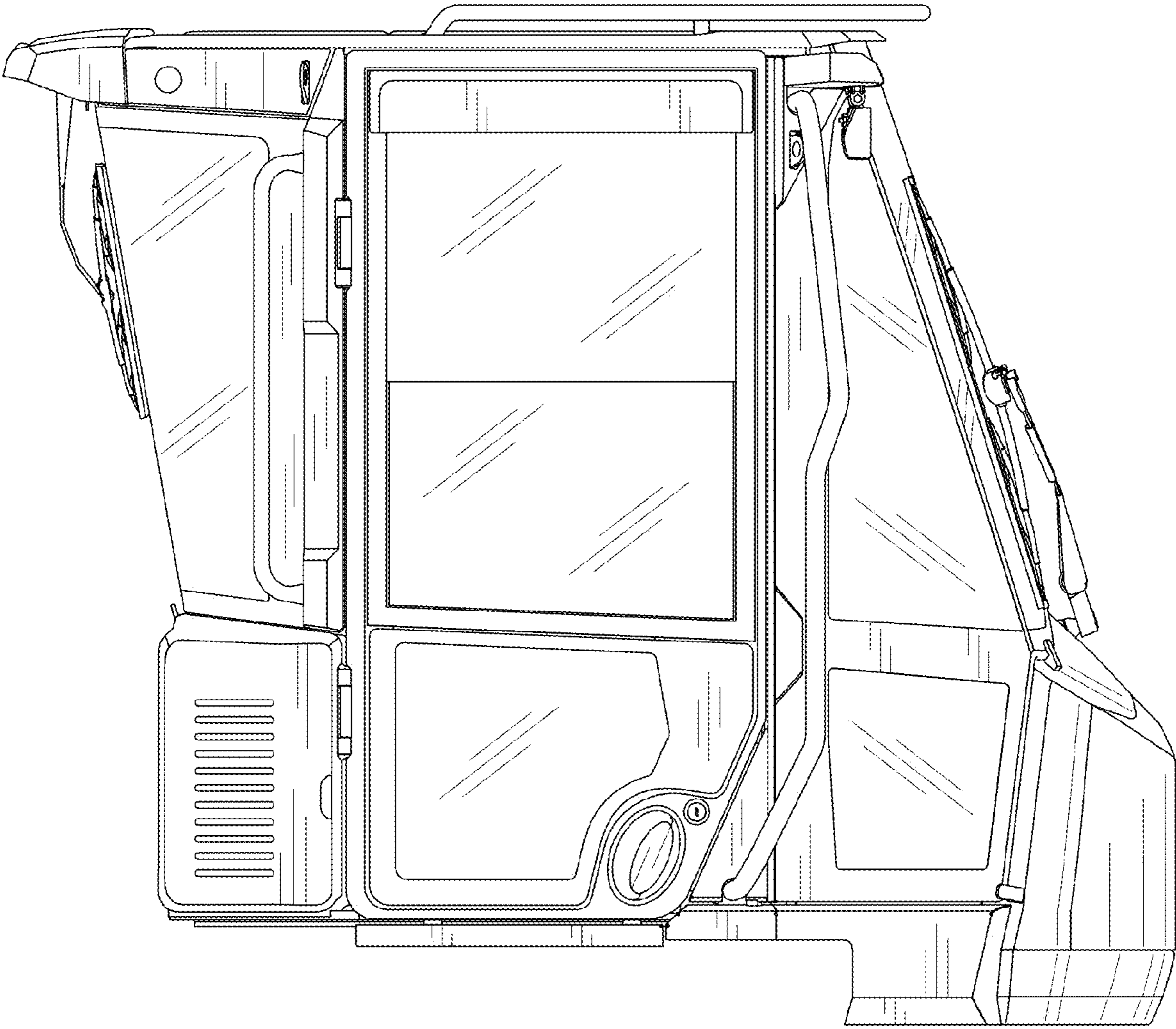


FIG. 5

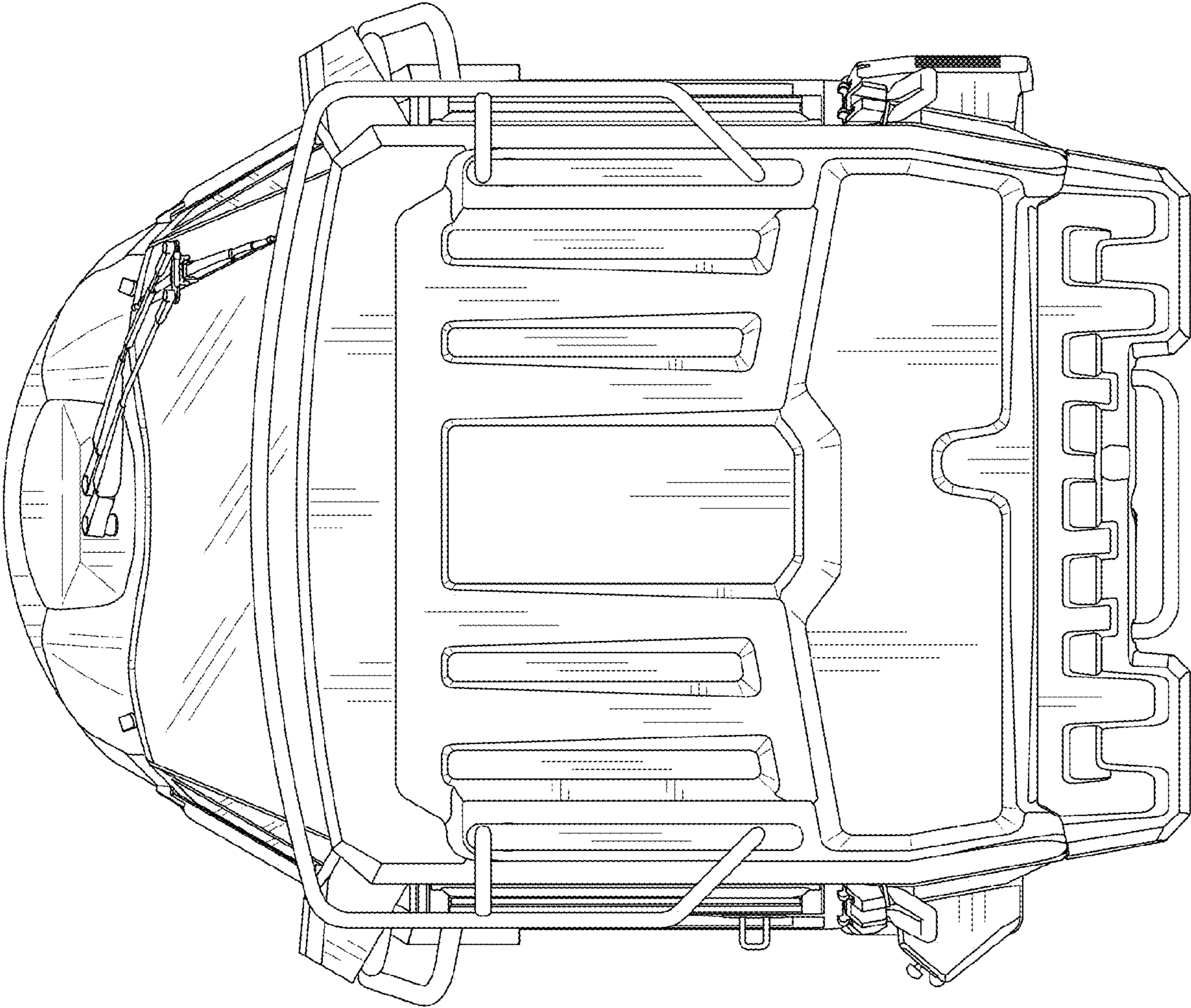


FIG. 6

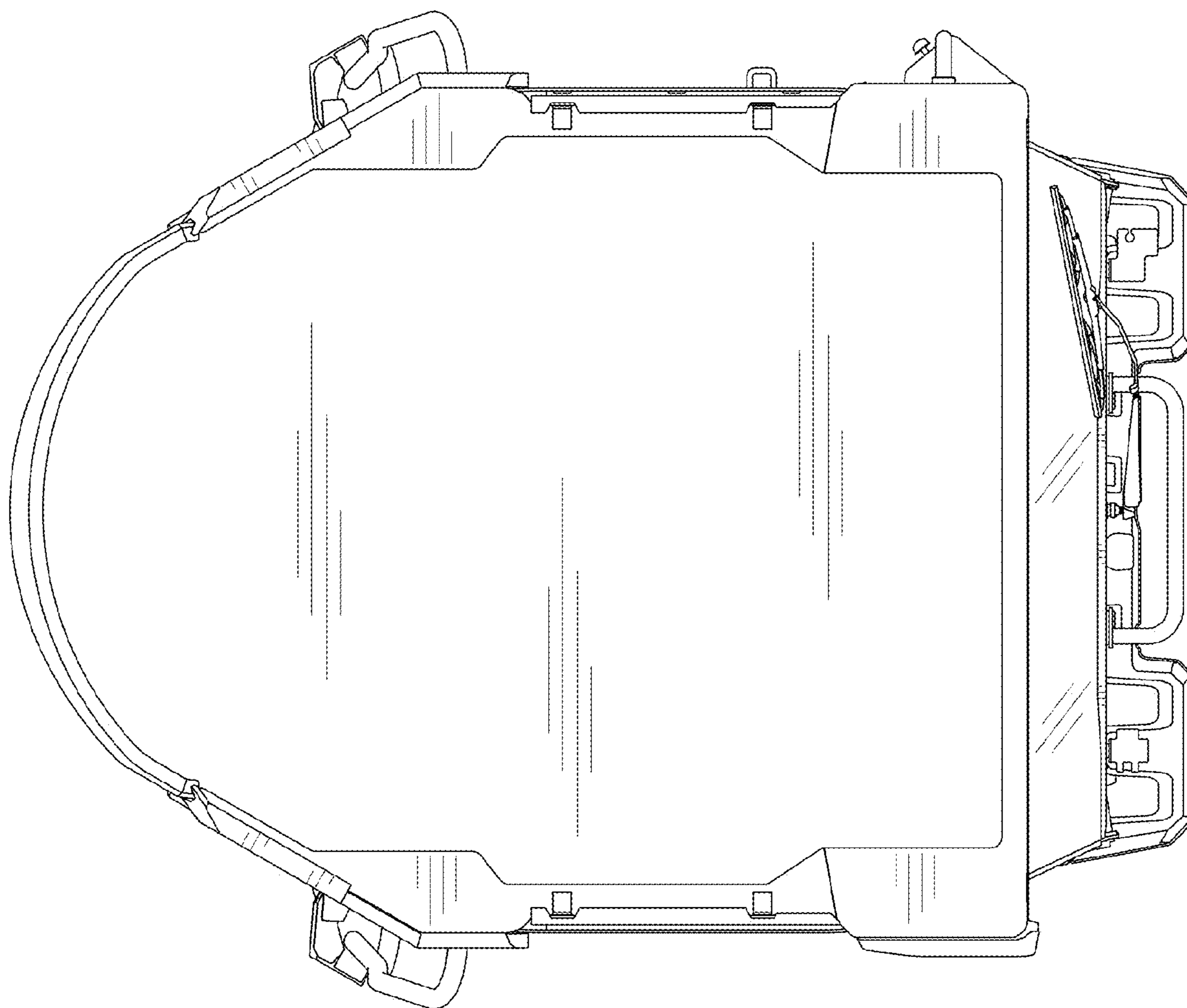


FIG. 7

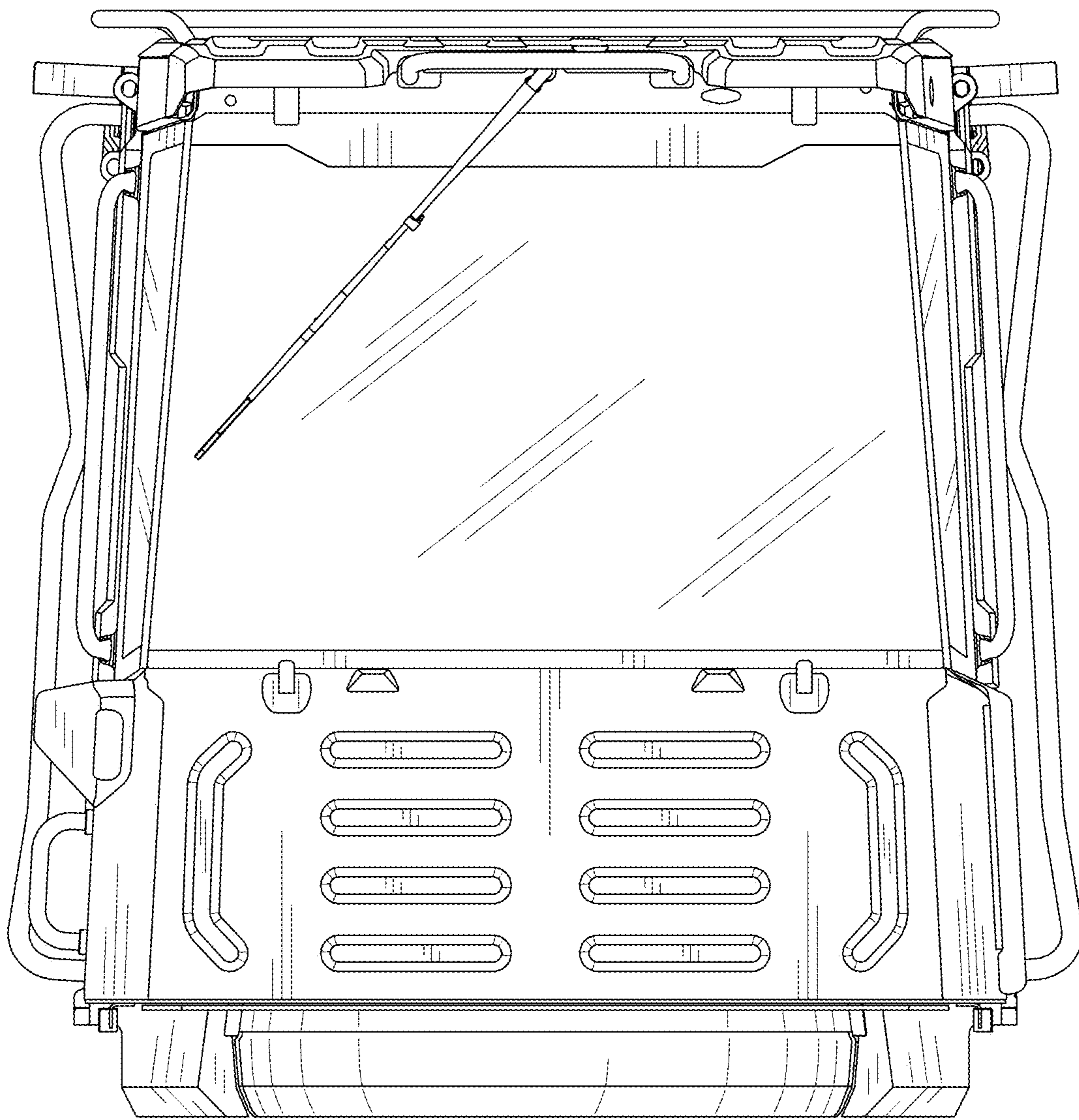


FIG. 8

