



US00D874522S

(12) **United States Design Patent**
Beukenberg et al.

(10) **Patent No.:** **US D874,522 S**

(45) **Date of Patent:** **** Feb. 4, 2020**

(54) **ELECTRONIC CONTROLLER FOR PUMP/MOTOR UNIT**

(71) Applicant: **WILO SE**, Dortmund (DE)

(72) Inventors: **Markus Beukenberg**, Dortmund (DE);
Jan Zimmermann, Dortmund (DE);
Kurt Mehnert, Dortmund (DE)

(73) Assignee: **WILO SE**, Dortmund (DE)

(**) Term: **15 Years**

(21) Appl. No.: **29/616,721**

(22) Filed: **Sep. 8, 2017**

(51) **LOC (12) Cl.** **15-03**

(52) **U.S. Cl.**
USPC **D15/9**

(58) **Field of Classification Search**
USPC D15/7-9
CPC F02M 37/04; F02M 37/14; F04B 53/92;
F04B 1/005; F04D 13/06; F04D 29/22;
F04D 29/046; F04D 29/2266
See application file for complete search history.

(56) **References Cited**

U.S. PATENT DOCUMENTS

D376,370 S	*	12/1996	Davis	D15/7
D633,925 S	*	3/2011	Sadachika	D15/7
D682,318 S	*	5/2013	Goh	D15/9
D705,818 S	*	5/2014	Chen	D15/7
D708,648 S	*	7/2014	Orsini	D15/7
D759,727 S	*	6/2016	Jiang	D15/9
D811,324 S	*	2/2018	Inskeep	D13/107
D811,325 S	*	2/2018	Inskeep	D13/107
D812,561 S	*	3/2018	Inskeep	D13/107
D813,156 S	*	3/2018	Inskeep	D13/107
D814,525 S	*	4/2018	Yang	D15/9

D826,283 S	*	8/2018	Mead	D15/7
D829,771 S	*	10/2018	Loerch	D15/9
D831,703 S	*	10/2018	Hotta	D15/9
D831,704 S	*	10/2018	Inskeep	D15/9
D832,891 S	*	11/2018	Chu	D15/9
D844,671 S	*	4/2019	Walmsley	D15/7
D844,672 S	*	4/2019	Walmsley	D15/7

* cited by examiner

Primary Examiner — Khawaja Anwar

(74) *Attorney, Agent, or Firm* — Andrew Wilford

(57) **CLAIM**

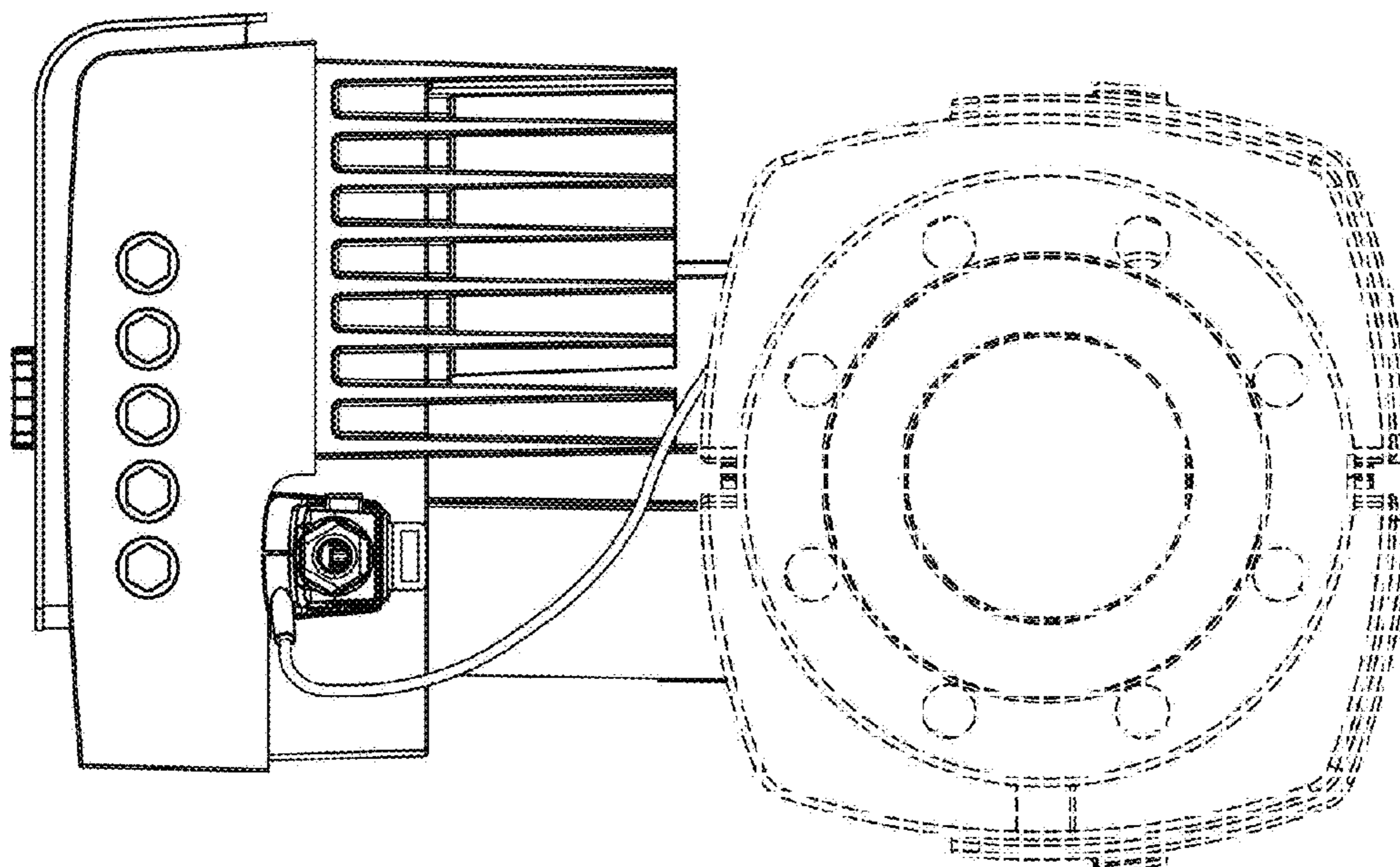
The ornamental design for a electronic controller for a pump/motor unit, as shown and described.

DESCRIPTION

FIG. 1 is a bottom view of the invention;
 FIG. 2 is a front view of the invention;
 FIG. 3 is a left-side elevational view of the invention;
 FIG. 4 is a perspective view of the invention;
 FIG. 5 is a right-side elevational view of the invention;
 FIG. 6 is a top view of the invention;
 FIG. 7 is a bottom view of a second embodiment of the invention;
 FIG. 8 is a front view of the second embodiment of the invention;
 FIG. 9 is a left-side elevational view of the second embodiment of the invention;
 FIG. 10 is a perspective view of the second embodiment of the invention;
 FIG. 11 is a right-side elevational view of the second embodiment of the invention; and,
 FIG. 12 is a top view of the second embodiment of the invention.

Structure in the drawing that is shown in broken lines is environmental and disclaimed.

1 Claim, 12 Drawing Sheets



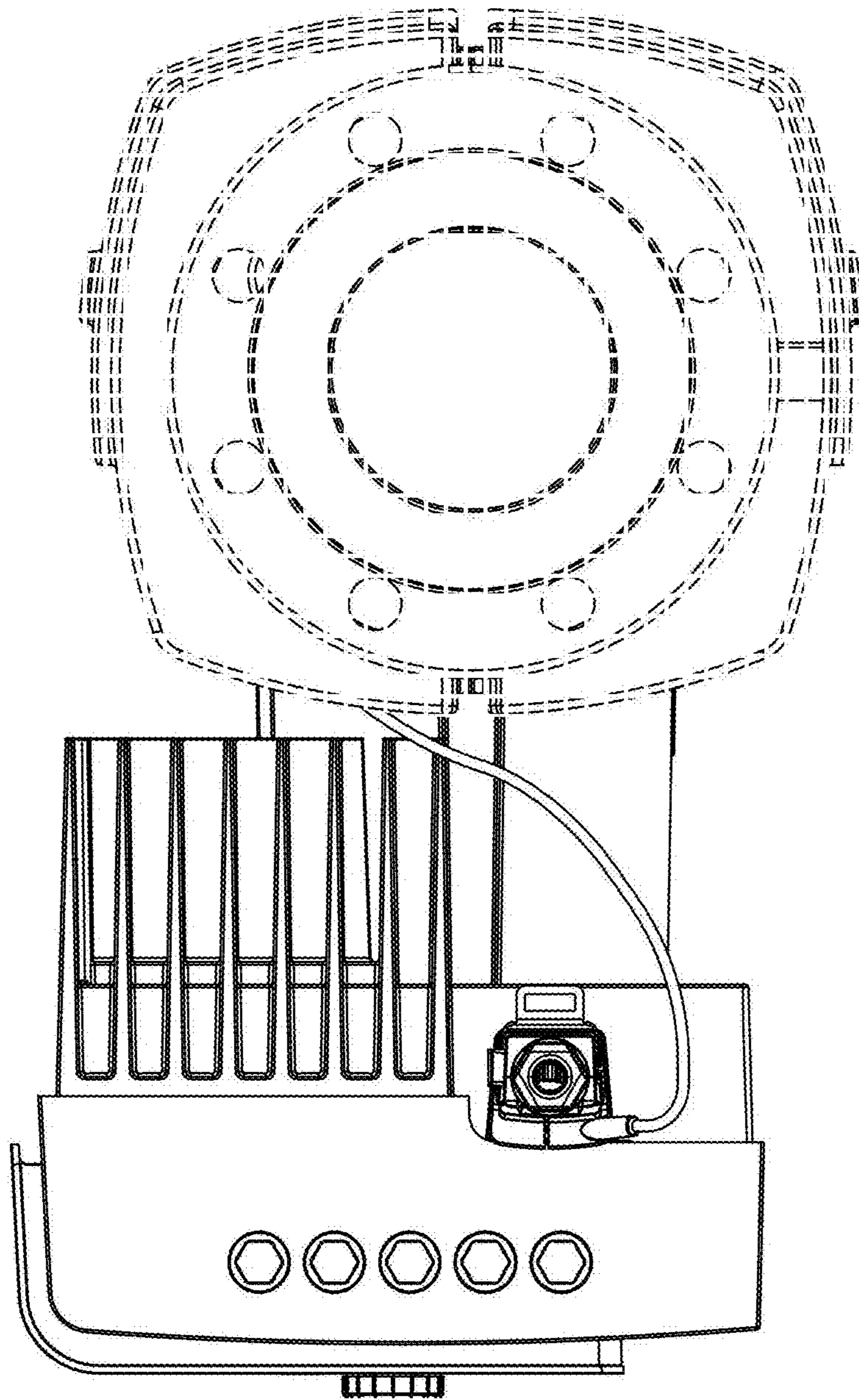


FIG. 1

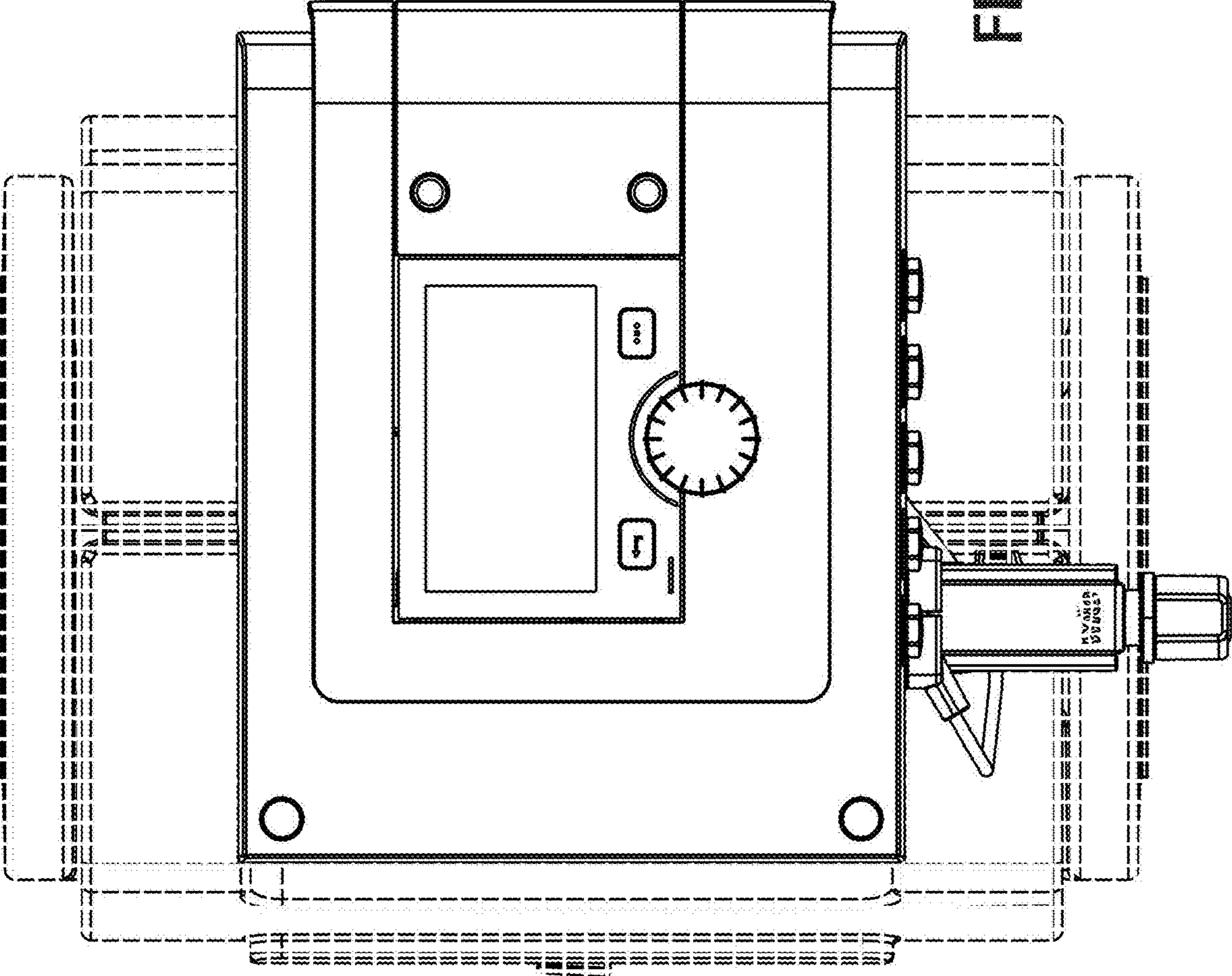


FIG. 2

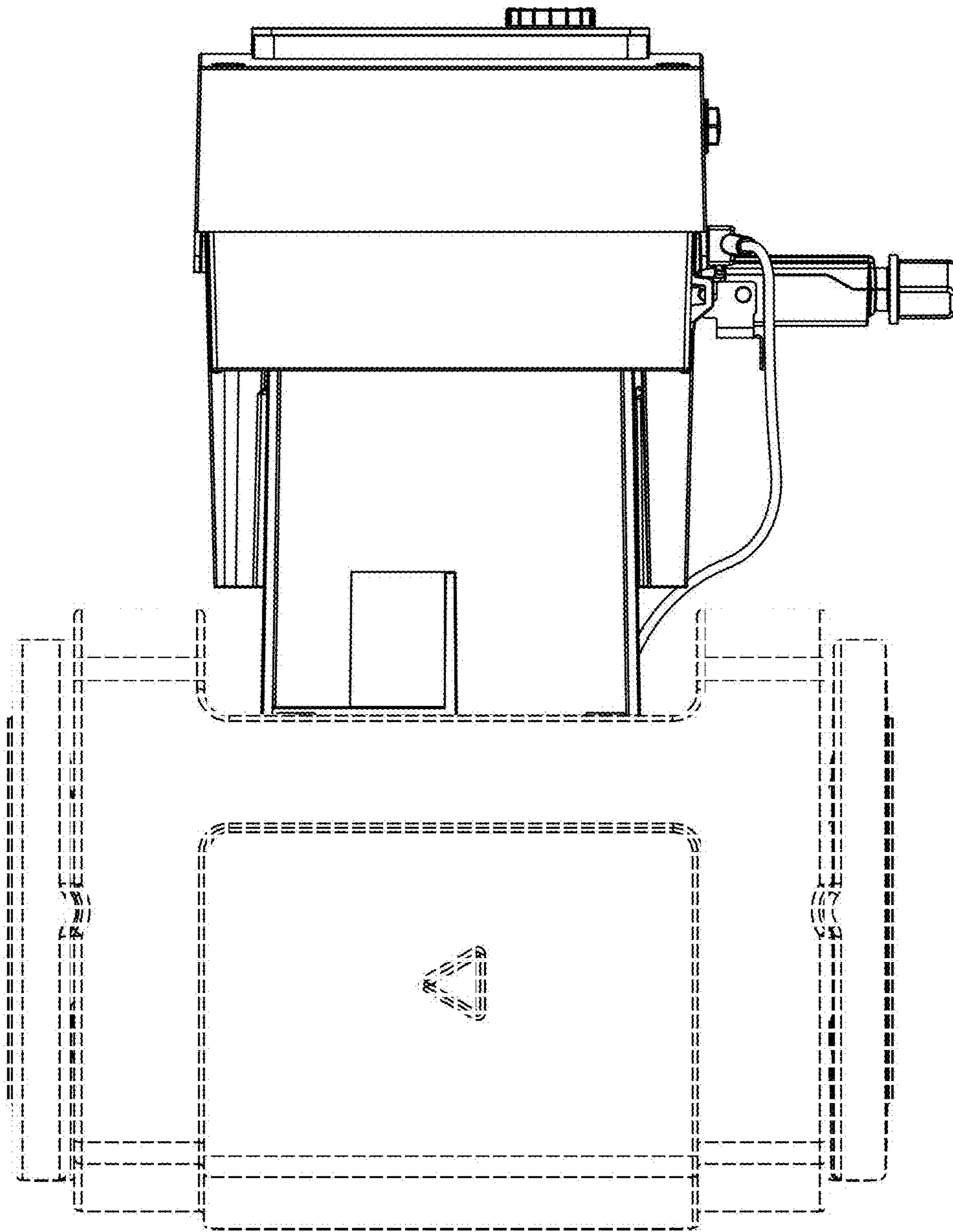
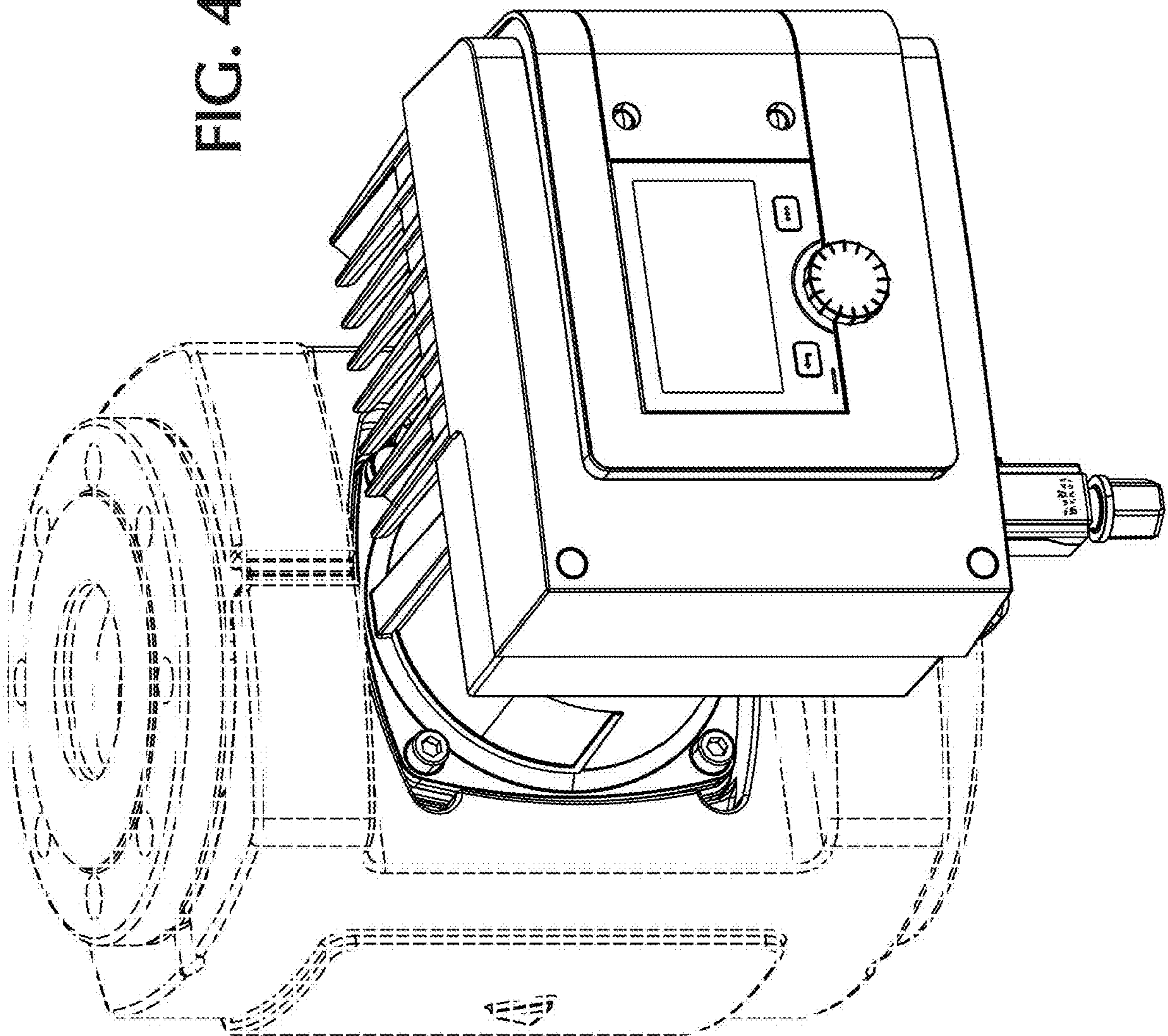


FIG. 3

FIG. 4



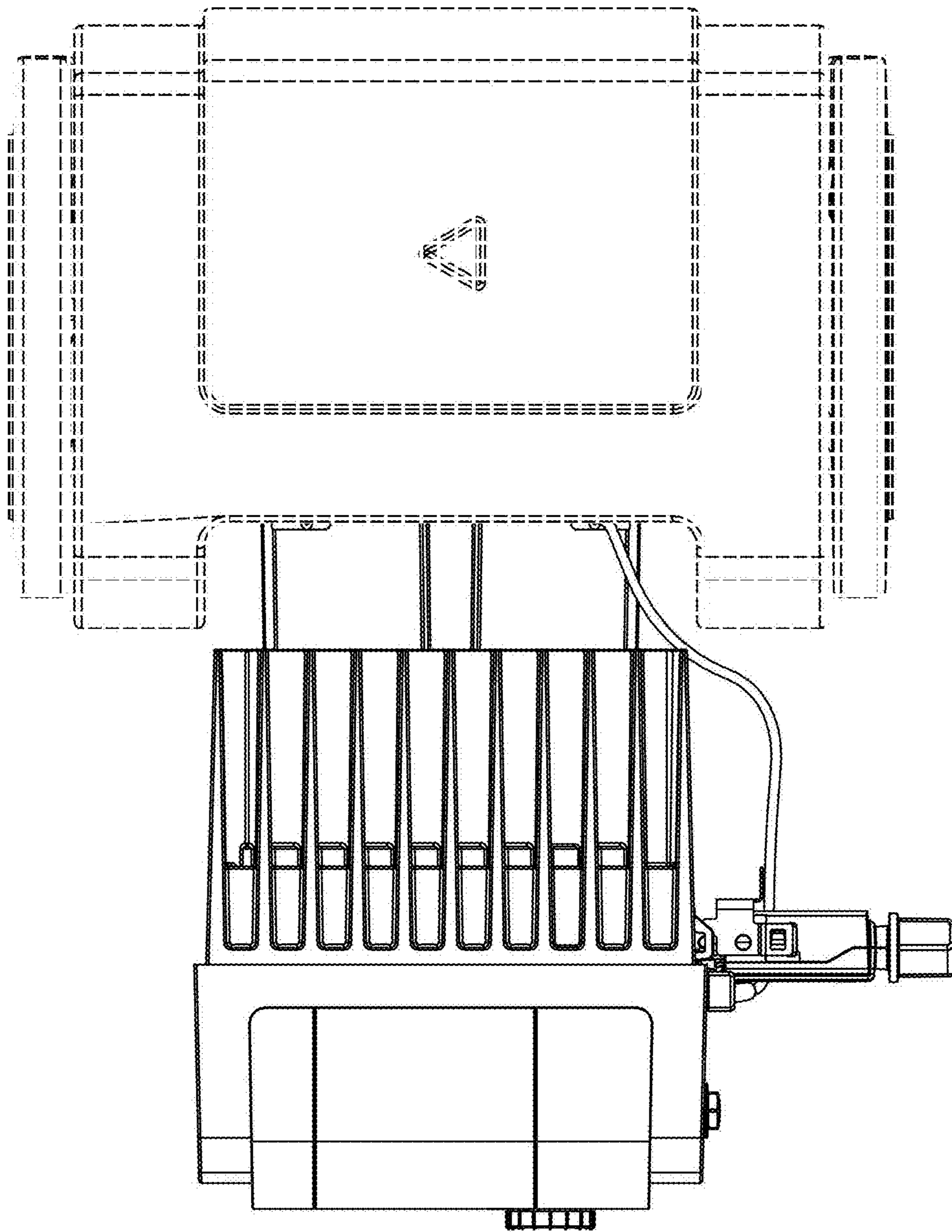


FIG. 5

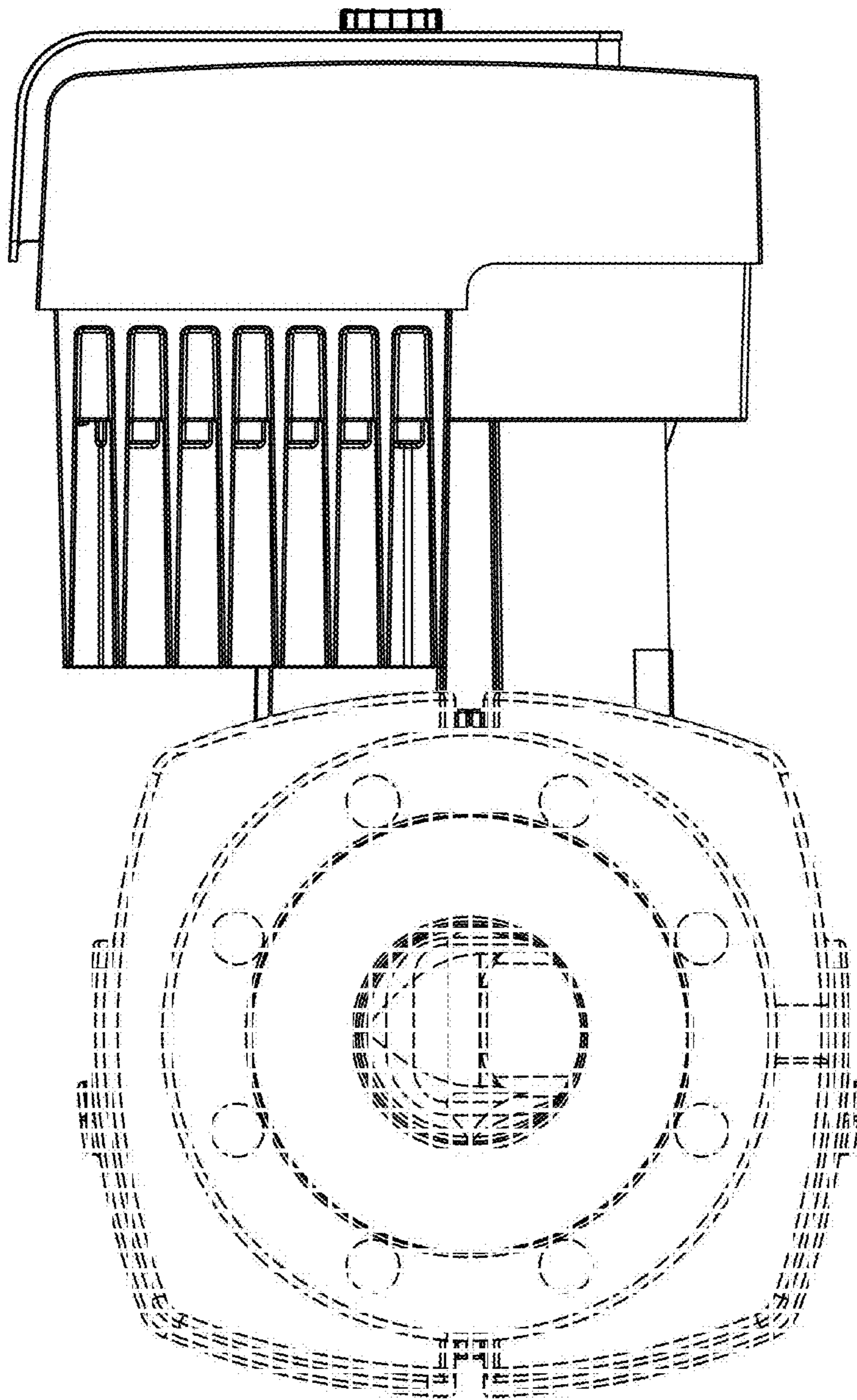


FIG. 6

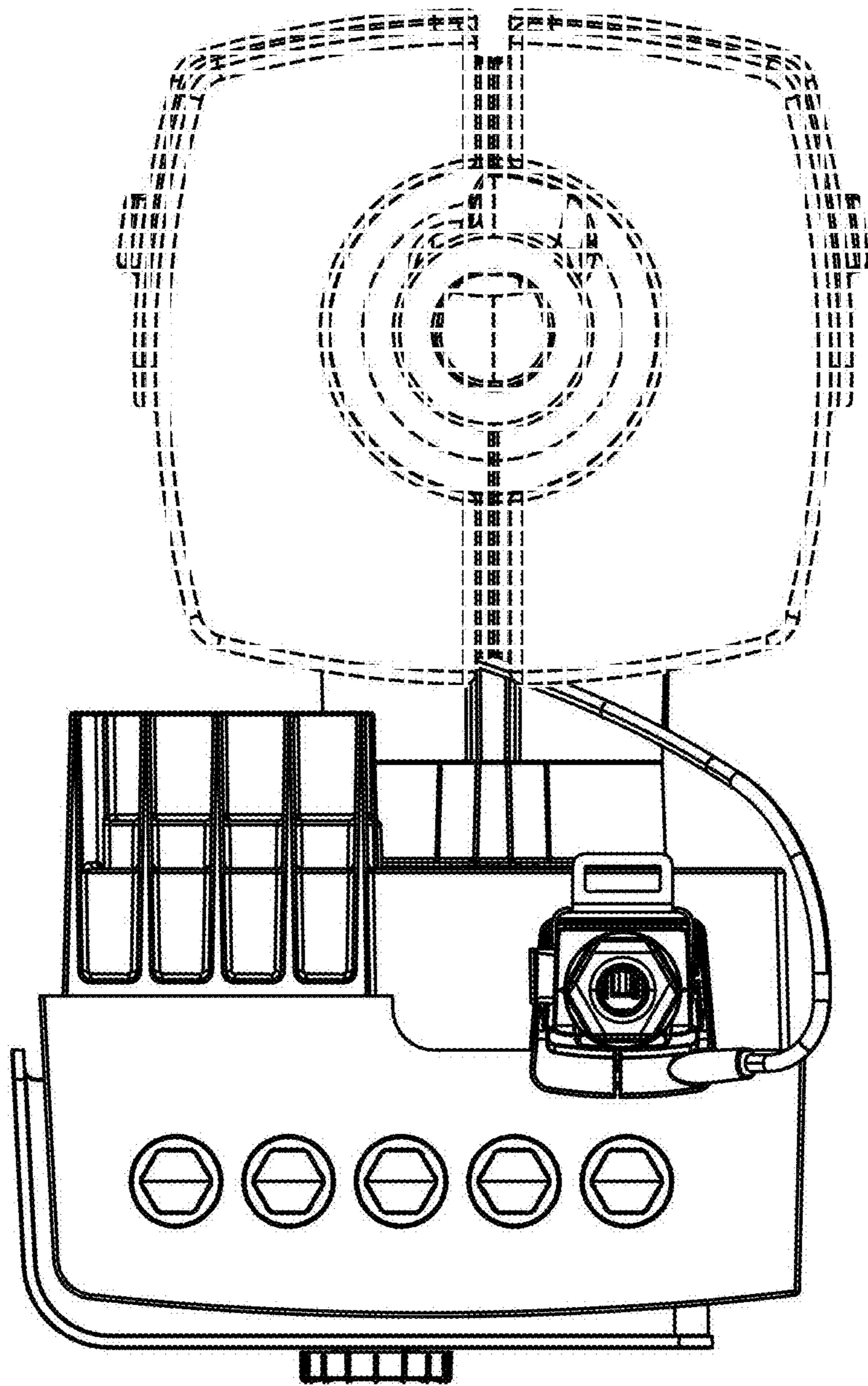


FIG. 7

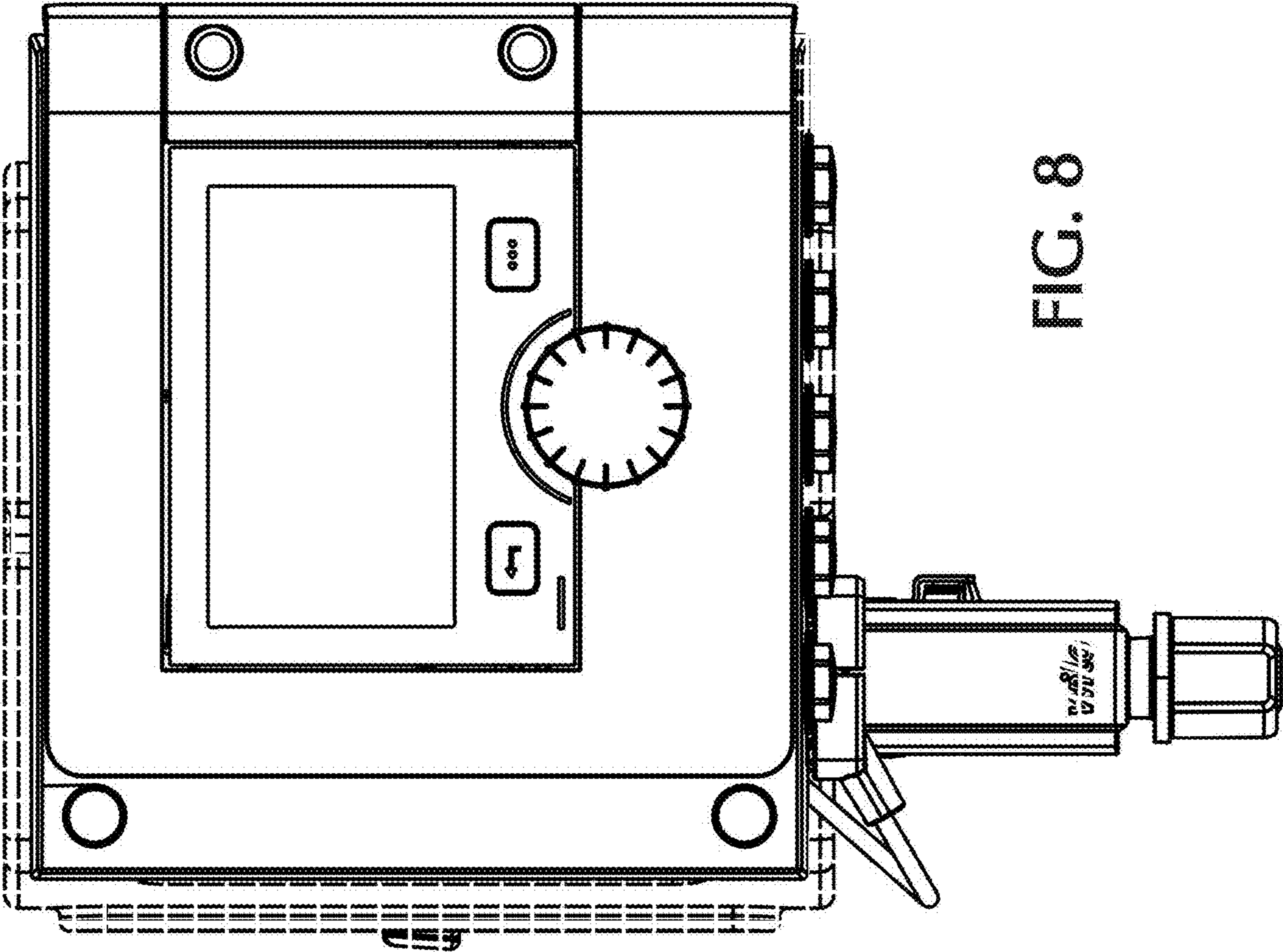


FIG. 8

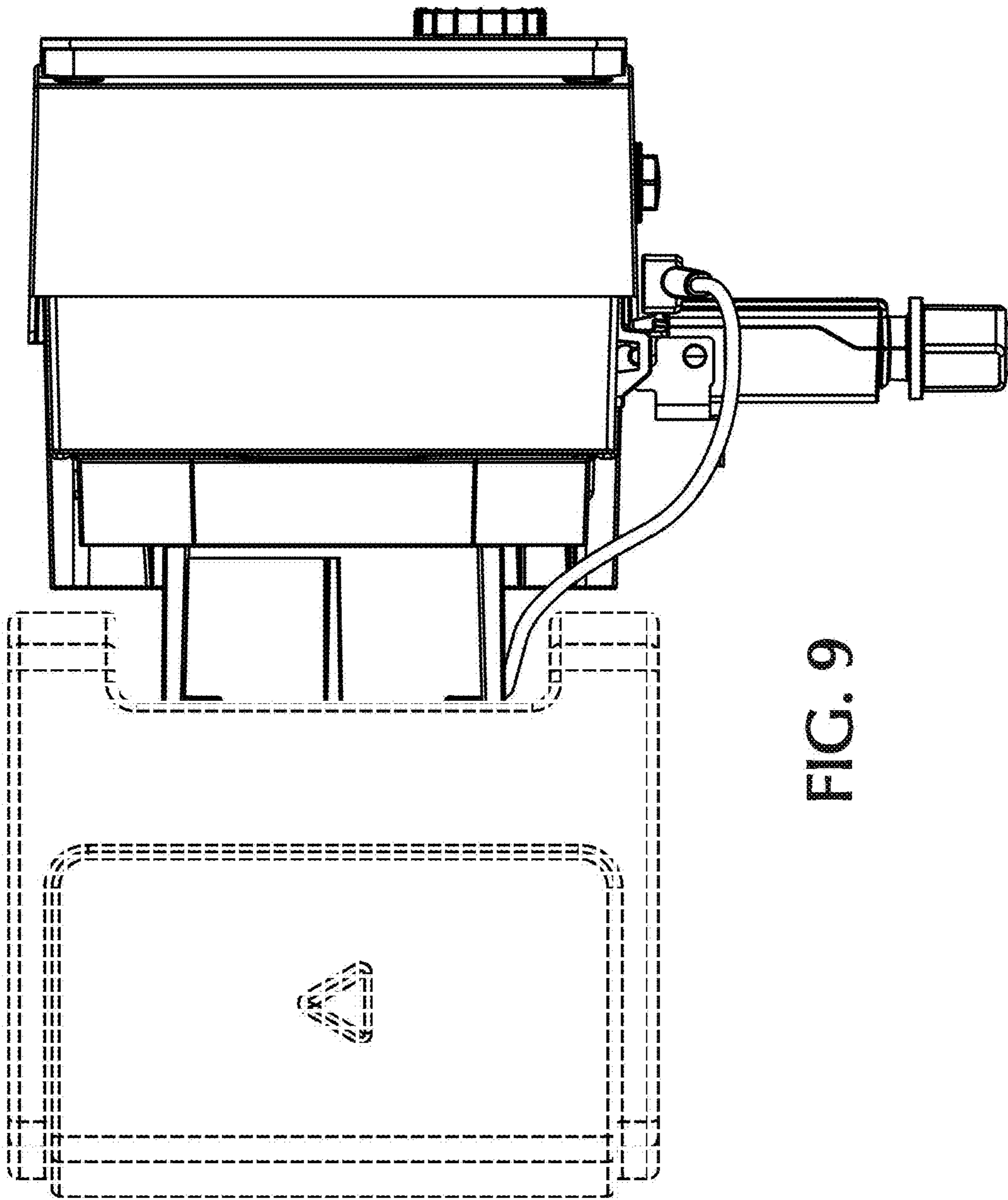


FIG. 9

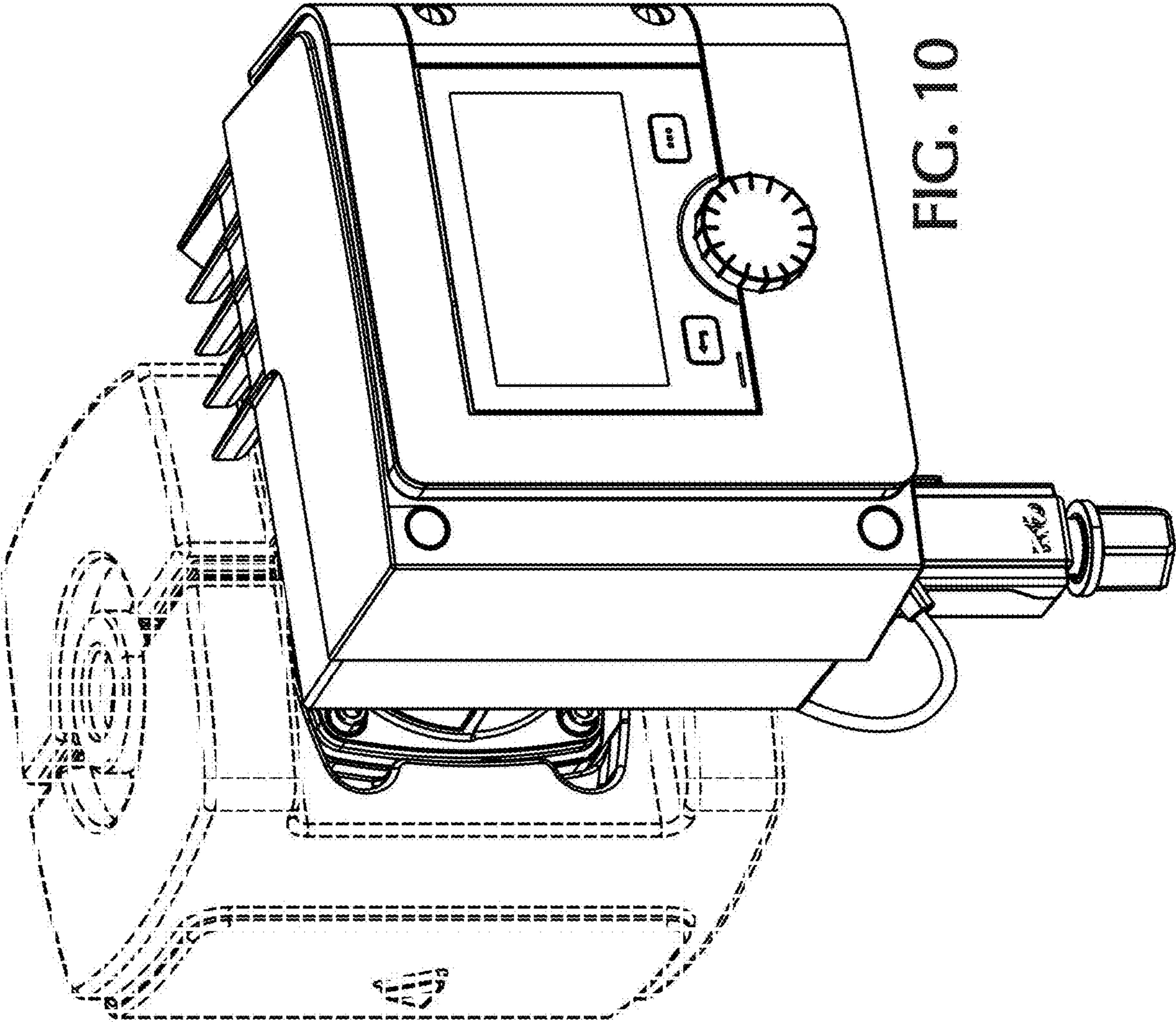


FIG. 10

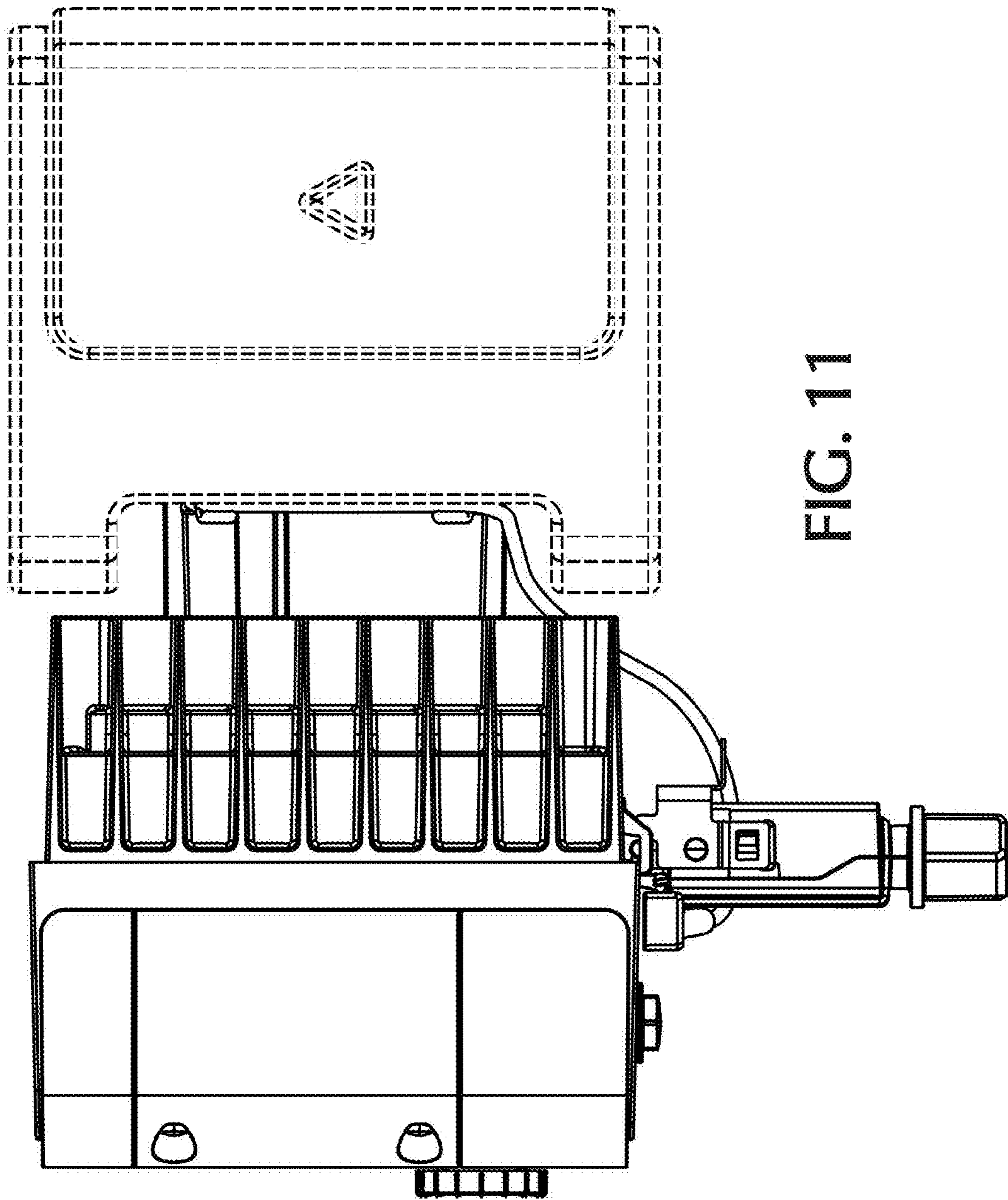


FIG. 11

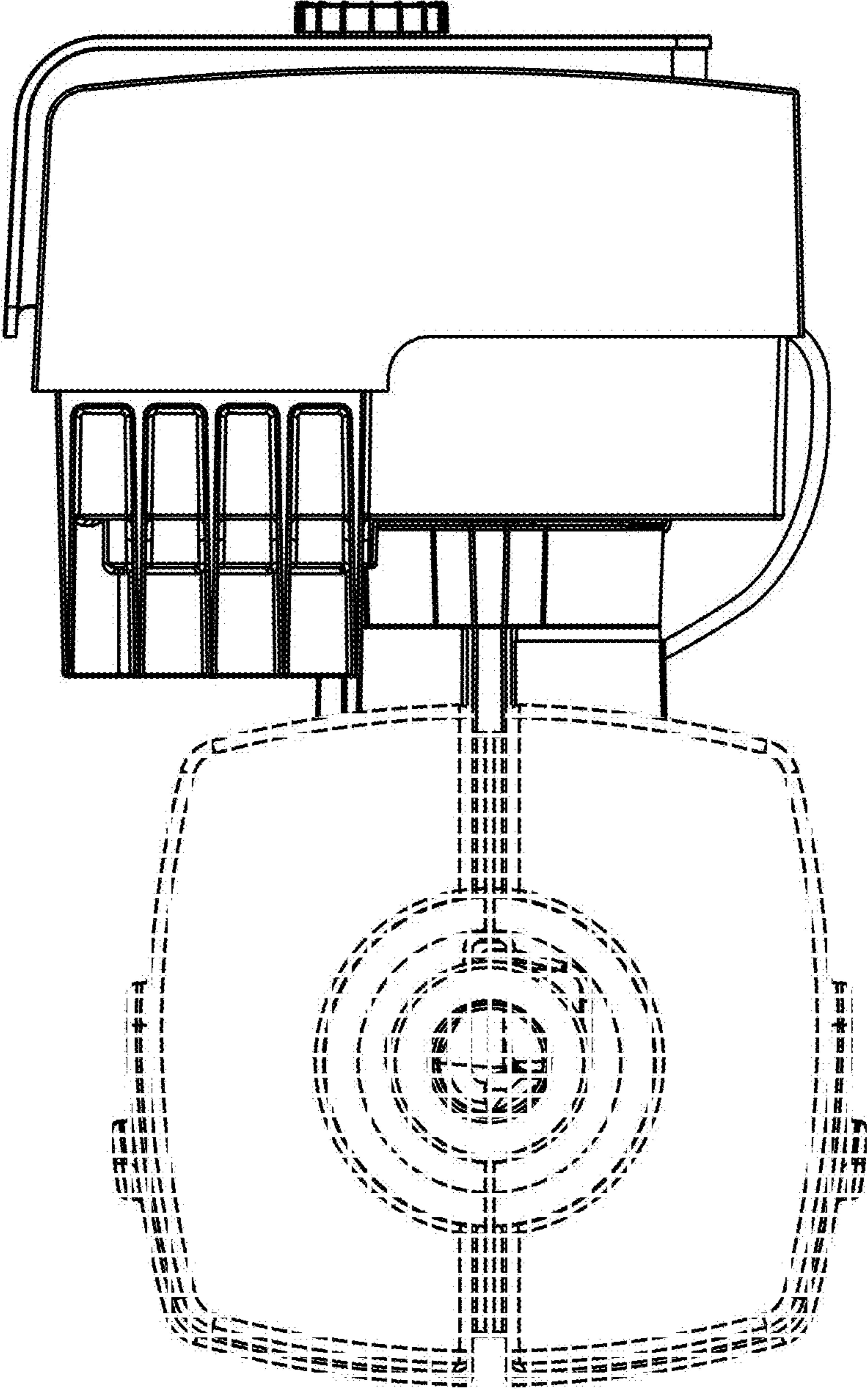


FIG. 12