



US00D874521S

(12) **United States Design Patent**
Raimondi et al.

(10) **Patent No.:** **US D874,521 S**

(45) **Date of Patent:** **** Feb. 4, 2020**

(54) **ROLLER ROCKER ARM FOR ENGINE**

(71) Applicant: **Eaton S.R.L.**, Torin (IT)

(72) Inventors: **Emanuele Raimondi**, Torin (IT);
Alessio Lorenzon, Torin (IT); **Michele Cecchi**, Torin (IT); **Gianluca Tigani**, Torin (IT)

(73) Assignee: **Eaton S.R.L.**, Torin (IT)

(**) Term: **15 Years**

(21) Appl. No.: **29/634,867**

(22) Filed: **Jan. 25, 2018**

Related U.S. Application Data

(62) Division of application No. 35/501,721, filed on Jun. 10, 2016 (U.S. filing date under 35 U.S.C. 384), and having an international filing date of Jun. 10, 2016, now Pat. No. Des. 830,414.

(30) **Foreign Application Priority Data**

Dec. 10, 2015 (EM) 002905158-0001
Dec. 10, 2015 (EM) 002905158-0002
Jan. 20, 2016 (EM) 002951921-0001

(51) **LOC (12) Cl.** **15-01**

(52) **U.S. Cl.**
USPC **D15/5**
CPC **F01L 1/18** (2013.01)

(58) **Field of Classification Search**
USPC D15/1-5
CPC F01L 1/18; F01L 1/24; F01L 1/053; F01L 1/185; F01L 2001/186; F01L 2001/187; F01L 2001/188; F01L 1/181; F01L 1/182
See application file for complete search history.

(56) **References Cited**

U.S. PATENT DOCUMENTS

5,452,694 A 9/1995 DHara
5,544,626 A 8/1996 Diggs et al.

5,584,267 A 12/1996 Muir
6,314,926 B1 11/2001 Meneely et al.
6,321,705 B1 11/2001 Fernandez et al.
6,439,179 B2 8/2002 Hendriksma et al.
6,467,443 B1 10/2002 Tsuruta et al.
6,532,920 B1 3/2003 Sweetnam et al.
6,615,782 B1 9/2003 Hendriksma et al.
6,640,759 B1 11/2003 Hendriksma
6,668,775 B2 12/2003 Harris
6,668,779 B2 12/2003 Hendriksma et al.
6,691,657 B2 2/2004 Hendriksma et al.
6,769,387 B2 8/2004 Heyman et al.
6,901,894 B2 6/2005 Haas et al.
6,925,978 B1 8/2005 Gerzseny et al.
6,966,291 B1 11/2005 Fischer et al.

(Continued)

Primary Examiner — Richard E Chilcot
(74) *Attorney, Agent, or Firm* — Woodard, Emhardt, Henry, Reeves & Wagner, LLP

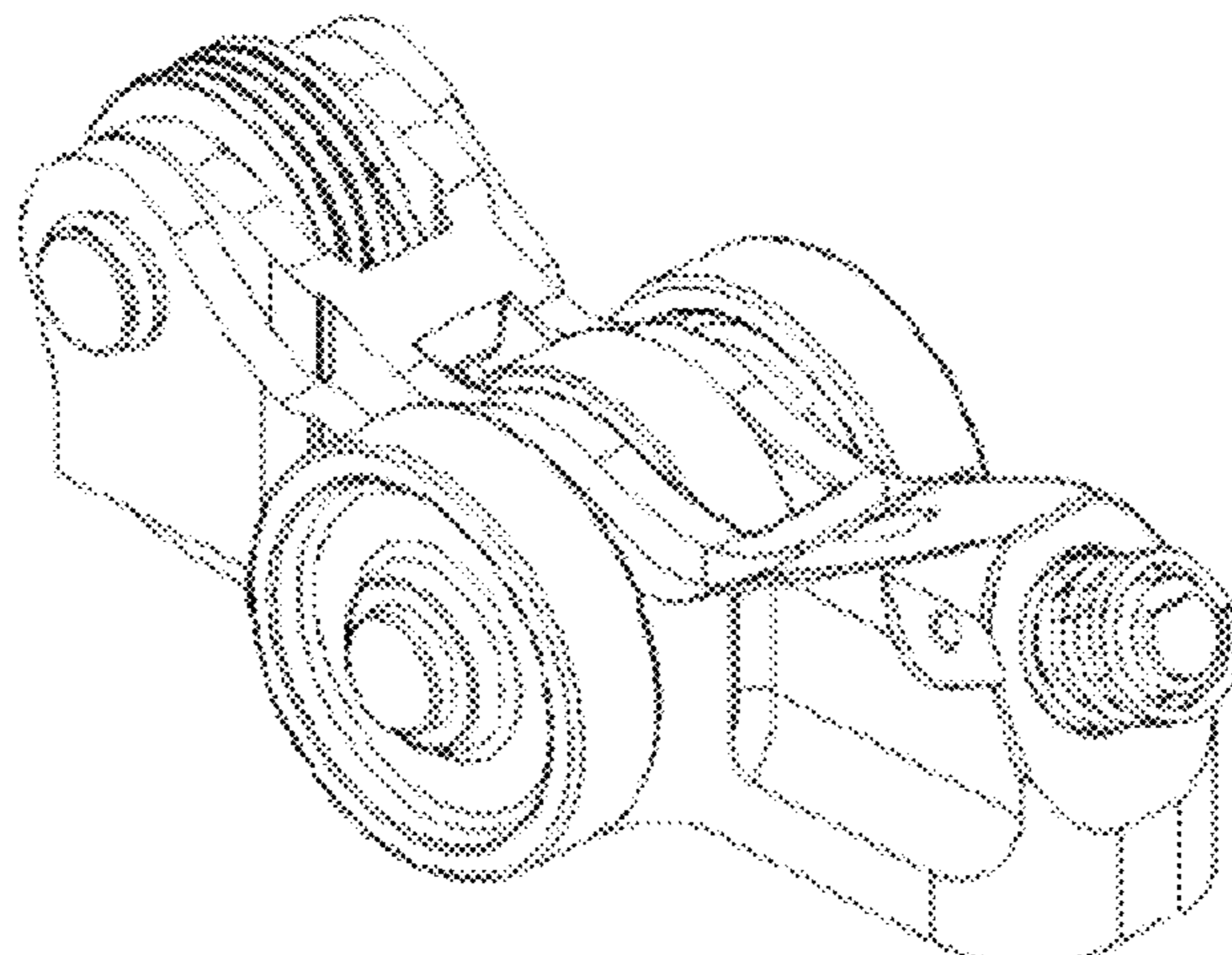
(57) **CLAIM**

The ornamental design for a roller rocker arm for an engine, as shown and described.

DESCRIPTION

FIG. 1 shows a front view of a roller rocker arm for an engine.
FIG. 2 shows a back view of the roller rocker arm for an engine.
FIG. 3 shows a side view of the roller rocker arm for an engine.
FIG. 4 shows a side view of the roller rocker arm for an engine.
FIG. 5 shows a top view of the roller rocker arm for an engine.
FIG. 6 shows a perspective view of the roller rocker arm for an engine; and,
FIG. 7 shows a bottom view of the roller rocker arm for an engine.

1 Claim, 7 Drawing Sheets



(56)

References Cited

U.S. PATENT DOCUMENTS

6,976,461 B2	12/2005	Rorig et al.	8,006,657 B2	8/2011	Riley et al.
6,997,152 B2	2/2006	Harris	8,056,523 B2	11/2011	Ha et al.
7,093,672 B2	8/2006	Hendriksma et al.	8,146,552 B2	4/2012	Seitz et al.
7,174,869 B2	2/2007	Proschko et al.	8,151,763 B2	4/2012	Meistrick et al.
7,240,652 B2	7/2007	Roerig et al.	8,215,275 B2	7/2012	Church
7,278,384 B2	10/2007	Fernandez et al.	8,251,032 B2	8/2012	Manther
7,305,951 B2	12/2007	Fernandez et al.	8,267,059 B2	9/2012	Manther et al.
7,328,675 B2	2/2008	Seitz et al.	8,297,243 B2	10/2012	Kang
7,377,247 B2	5/2008	Seitz	8,312,851 B2	11/2012	Heinemann
7,444,967 B2	11/2008	Kido et al.	8,393,308 B2	3/2013	Kang et al.
D587,284 S	2/2009	Stopanio	8,434,440 B2	5/2013	Manther et al.
7,503,300 B2	3/2009	Seitz et al.	8,474,425 B2	7/2013	Kirbach
7,533,642 B2	5/2009	Proschko et al.	8,479,694 B2	7/2013	Manther et al.
7,546,822 B2	6/2009	Murphy et al.	8,528,508 B2	9/2013	Meistrick et al.
7,565,887 B2	7/2009	Tsuruta et al.	8,555,835 B2	10/2013	Patzold et al.
7,603,972 B2	10/2009	Han et al.	8,607,753 B2	12/2013	Krause et al.
7,661,400 B2	2/2010	Seitz et al.	8,627,796 B2	1/2014	Harman
7,673,606 B2	3/2010	Ng et al.	8,677,958 B2	3/2014	Becker et al.
7,677,213 B2	3/2010	Deierlein	8,726,862 B2	5/2014	Zurface et al.
7,712,443 B2	5/2010	Gemein	8,726,863 B2	5/2014	Meistrick et al.
7,721,694 B2	5/2010	Fernandez et al.	8,733,311 B2	5/2014	Manther
7,798,113 B2	9/2010	Fischer et al.	8,807,101 B2	8/2014	Choi et al.
7,909,007 B2	3/2011	Manther et al.	8,955,481 B2	2/2015	Manther
7,934,477 B2	5/2011	Elnick et al.	D750,670 S	3/2016	McCarthy, Jr.
			D791,190 S *	7/2017	McCarthy, Jr. D15/5
			D830,414 S	10/2018	Raimondi et al.
			10,329,970 B2 *	6/2019	McCarthy, Jr. F01L 1/18

* cited by examiner

FIG. 1

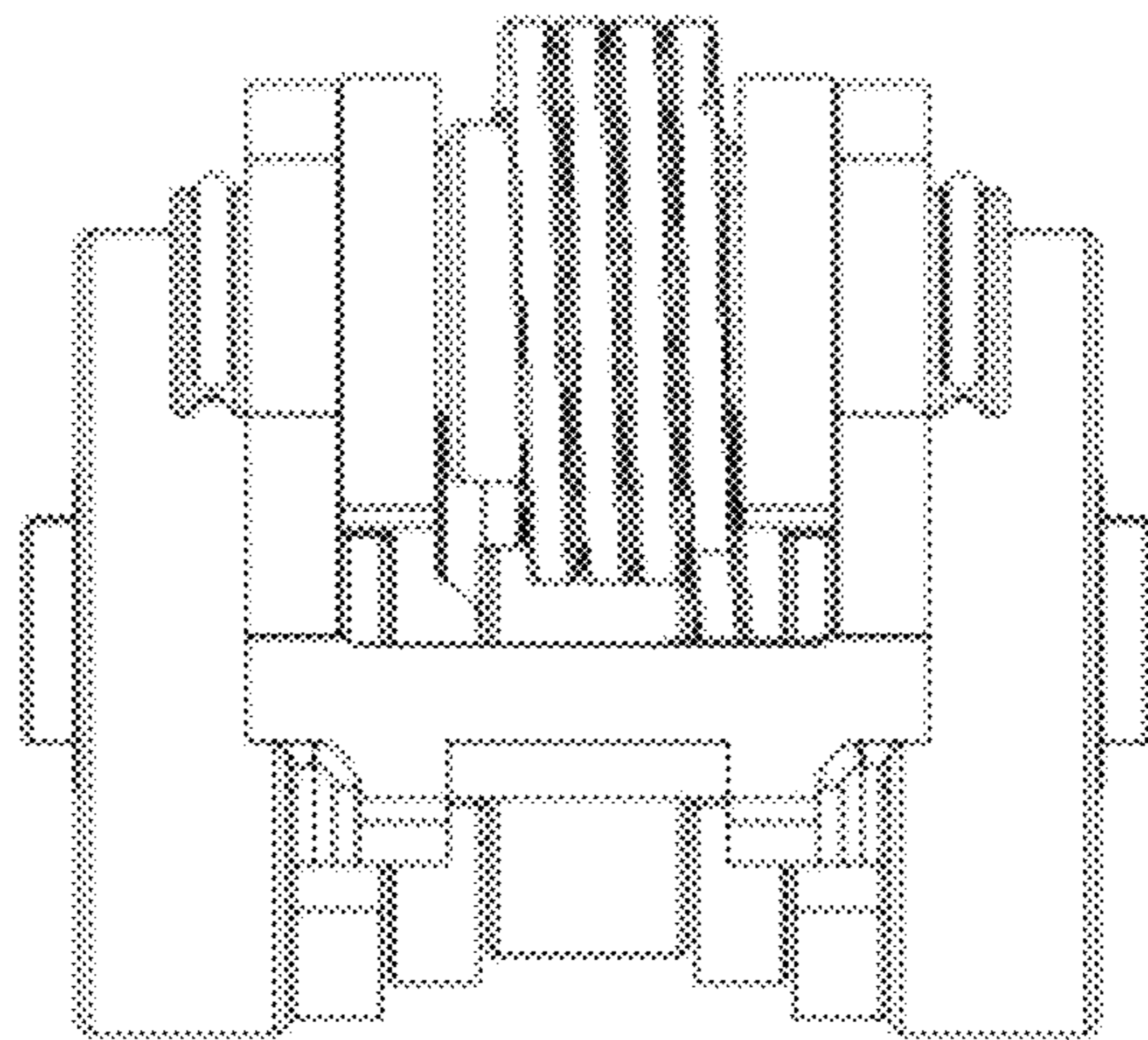


FIG. 2

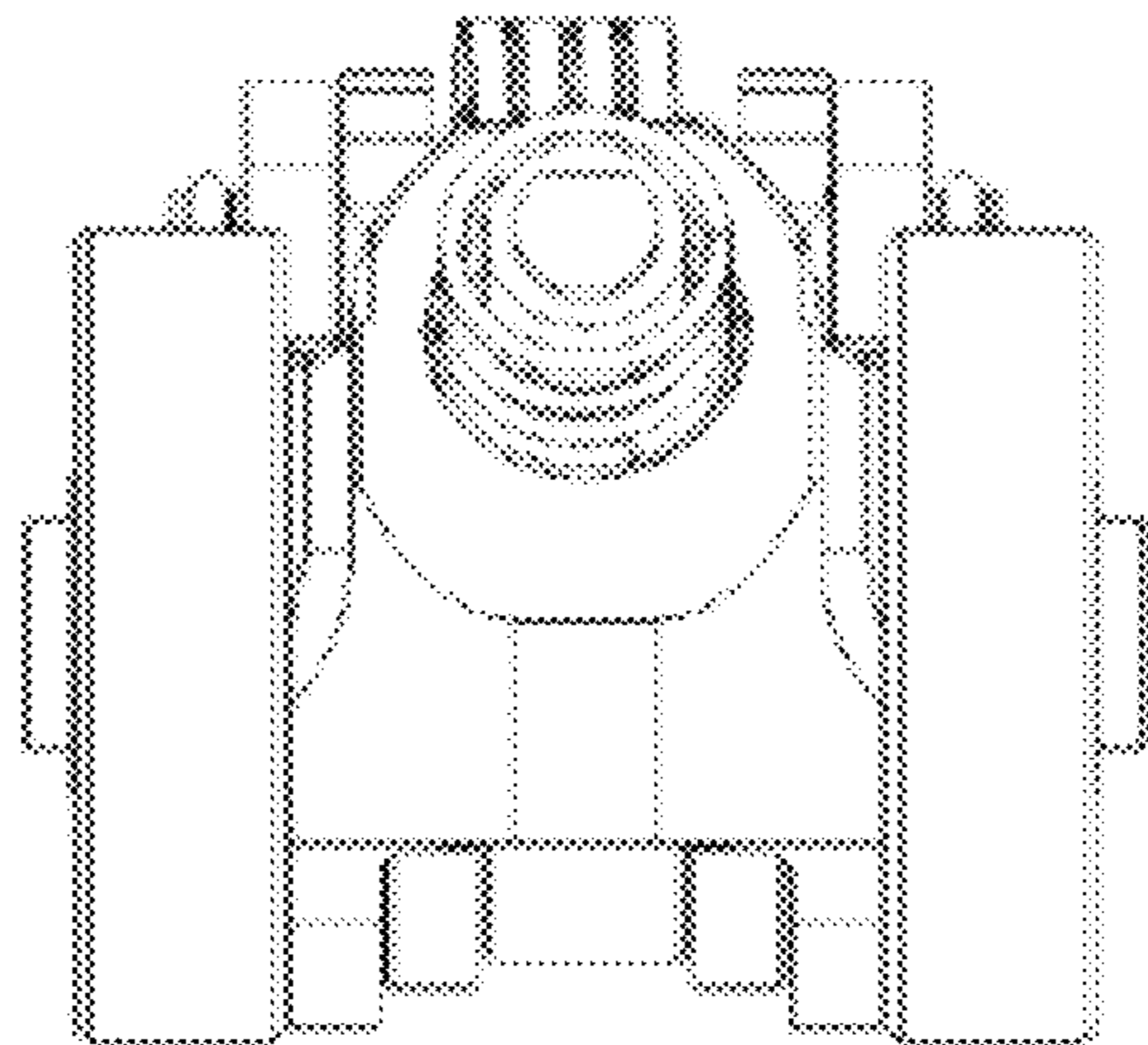


FIG. 3

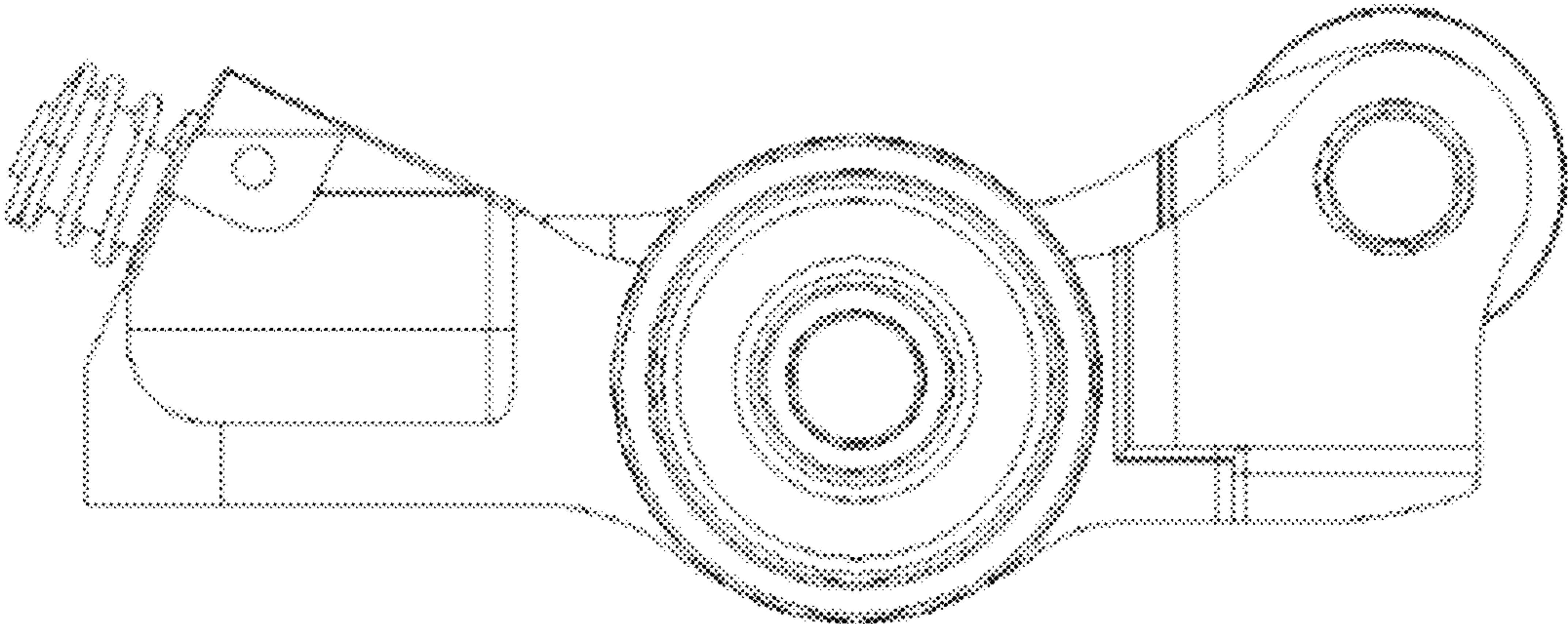


FIG. 4

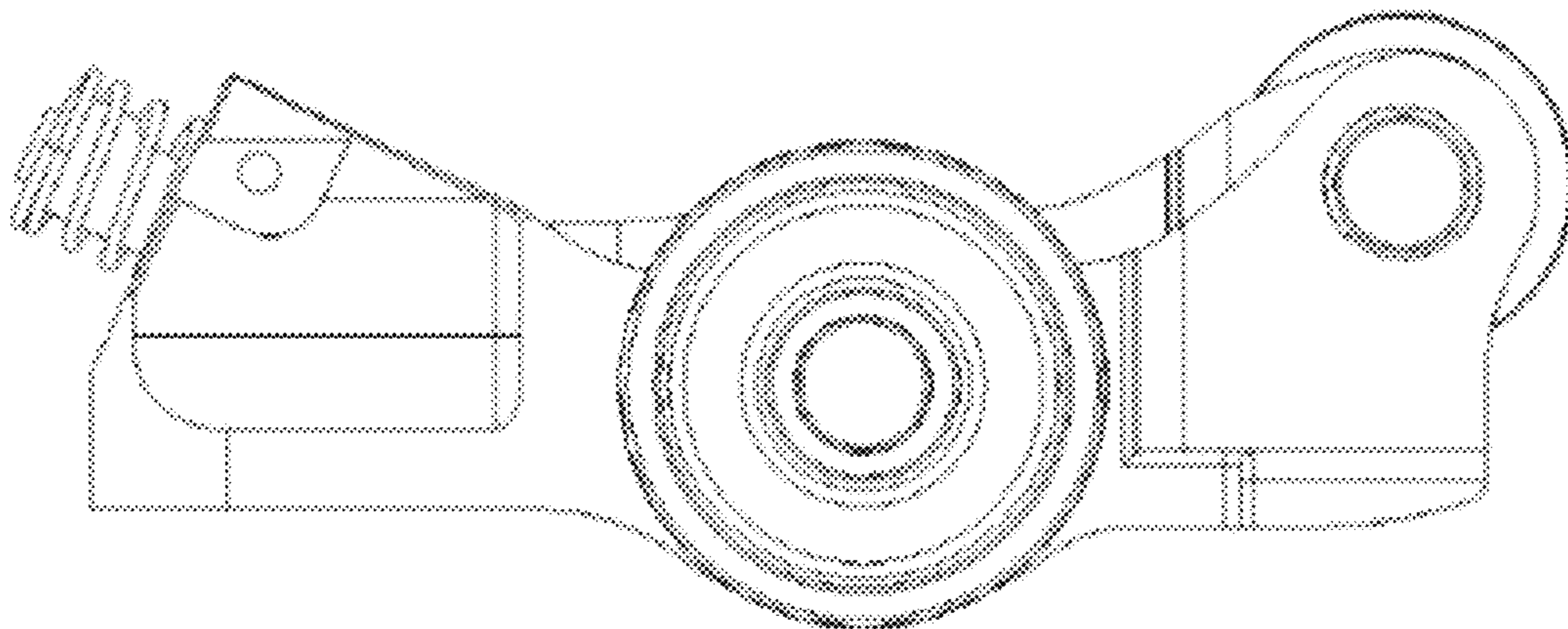


FIG. 5

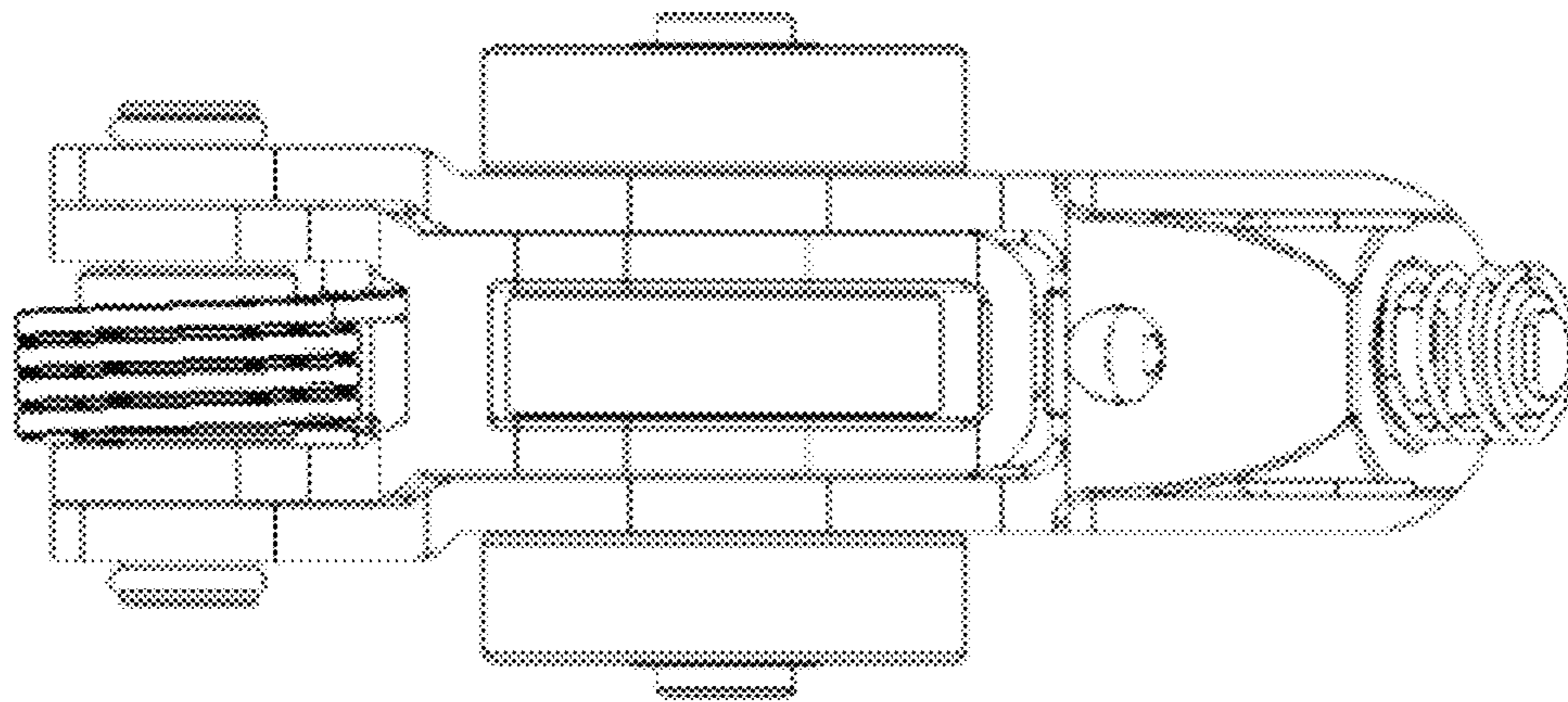


FIG. 6

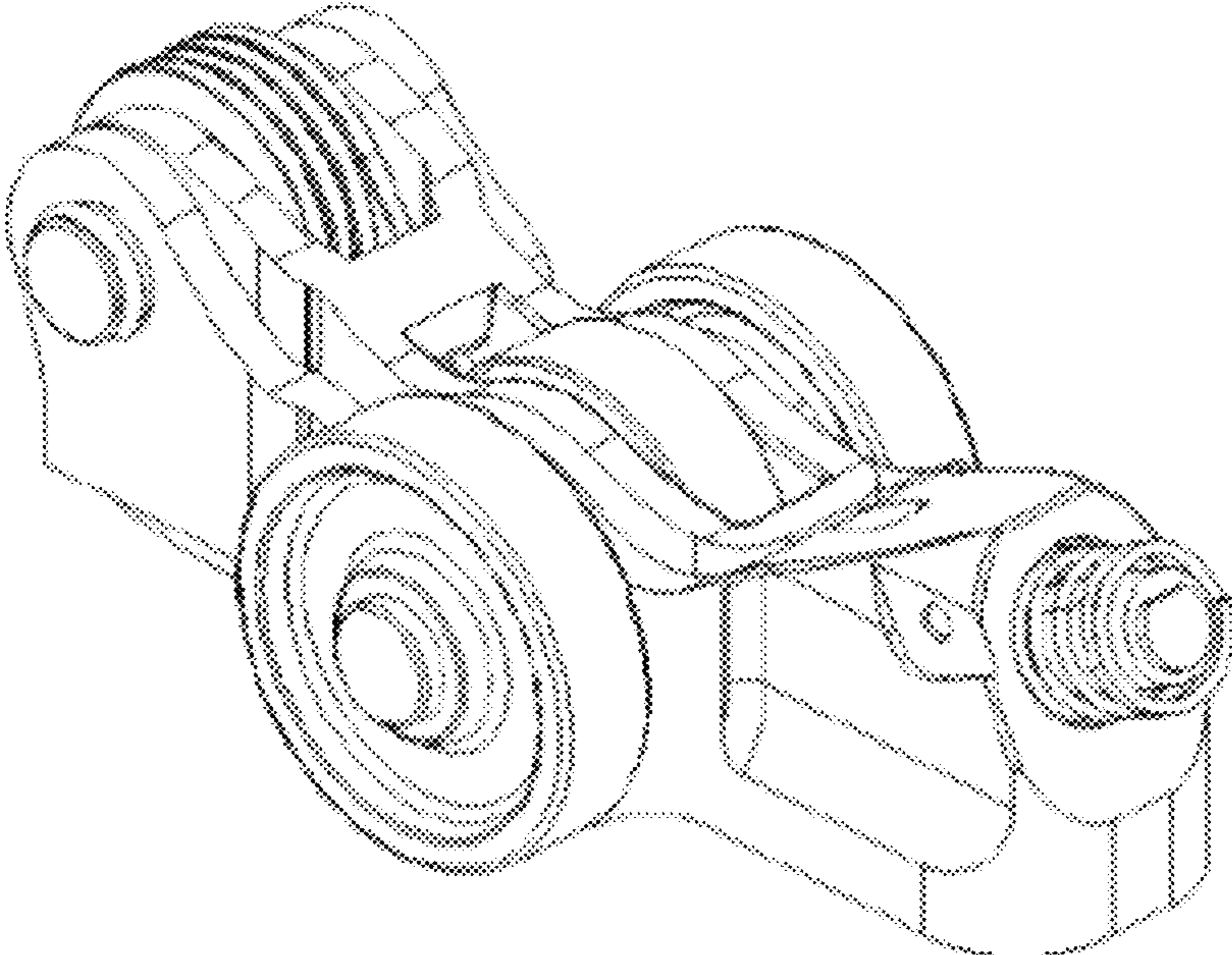


FIG. 7

