

US00D874513S

(12) **United States Design Patent**
Whitmore

(10) **Patent No.:** **US D874,513 S**
(45) **Date of Patent:** **** Feb. 4, 2020**

(54) **DISPLAY SCREEN WITH ANIMATED GRAPHICAL USER INTERFACE**

(71) Applicant: **CATERPILLAR INC.**, Deerfield, IL (US)

(72) Inventor: **Joshua Whitmore**, Dunlap, IL (US)

(73) Assignee: **Caterpillar Inc.**, Peoria, IL (US)

(**) Term: **15 Years**

(21) Appl. No.: **29/680,923**

(22) Filed: **Feb. 21, 2019**

Related U.S. Application Data

(62) Division of application No. 29/622,306, filed on Oct. 16, 2017, now Pat. No. Des. 847,199.

(51) **LOC (12) Cl.** **14-04**

(52) **U.S. Cl.**
USPC **D14/488**

(58) **Field of Classification Search**
USPC D14/485-95
CPC .. G06F 3/0481; G06F 3/0482; G06F 3/04812;
G06F 3/04817; G06F 3/0484; G06F
3/0485; G06F 3/048; G06F 3/0487; G06F
3/0488; G06F 3/04883; G06F 3/04886;
G06F 3/0489

See application file for complete search history.

(56) **References Cited**

U.S. PATENT DOCUMENTS

2,213,853 A	9/1940	Whitehead
2,251,021 A	7/1941	Nebergall
D145,610 S	9/1946	Banick
3,146,578 A	9/1964	Etienne
D231,662 S	5/1974	Fusillo
D291,541 S	8/1987	Creed
D301,557 S	6/1989	Agostini

D420,292 S	2/2000	Almand	
D550,696 S *	9/2007	Kortum	D14/491
D629,410 S *	12/2010	Ray	D14/485
D637,196 S *	5/2011	Ray	D14/486
D664,991 S *	8/2012	Scholpp	D14/492
D686,244 S *	7/2013	Moriya	D14/489
D687,838 S	8/2013	Poeppel et al.	
D693,834 S *	11/2013	Ito	D12/192
D709,092 S *	7/2014	Mariet	D14/489
8,811,121 B2	9/2014	Balli	
D744,494 S *	12/2015	Roberts	D14/485
D746,715 S	1/2016	Gueit	

(Continued)

Primary Examiner — Melanie H Tung

(74) *Attorney, Agent, or Firm* — Finnegan, Henderson, Farabow, Garrett & Dunner, LLP

(57) **CLAIM**

The ornamental design for a display screen with animated graphical user interface, as shown and described.

DESCRIPTION

FIG. 1 is a front view of a first image in a sequence of a display screen with animated graphical user interface showing my new design;

FIG. 2 is a front view of a second image thereof;

FIG. 3 is a front view of a third image thereof;

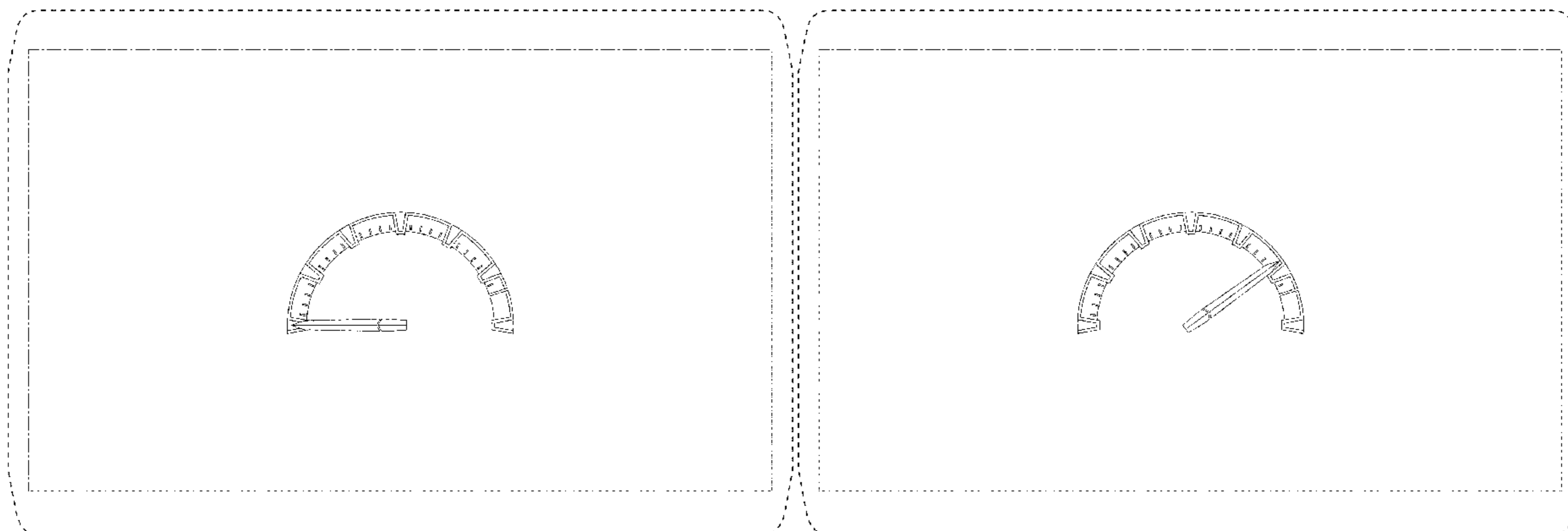
FIG. 4 is a front view of a fourth image thereof; and,

FIG. 5 is a front view of a fifth image thereof.

The appearance of the display screen with animated graphical user interface sequentially transitions between the images shown in FIGS. 1-5. The process or period in which an image sequence transitions from one image to another image forms no part of the claimed design.

The broken lines of even length shown in the drawings illustrate portions of the display screen which form no part of the claimed design. The process or period in which an image transitions to another forms no part of the claimed design.

1 Claim, 5 Drawing Sheets



(56)

References Cited

U.S. PATENT DOCUMENTS

D746,717	S	1/2016	Cerrato	
D750,505	S	3/2016	Cerrato	
D755,221	S *	5/2016	Kim	D14/486
D756,395	S *	5/2016	Kim	D14/486
D757,797	S *	5/2016	Kurz	D14/489
D758,403	S *	6/2016	Lee	D14/486
D759,051	S	6/2016	Bauer et al.	
D764,338	S	8/2016	Cerrato	
D766,302	S *	9/2016	Phelan	D14/486
D768,167	S *	10/2016	Jones	D14/486
D768,527	S	10/2016	Monachon	
D774,520	S *	12/2016	Kim	D14/485
D778,303	S *	2/2017	Deusing	D14/486
D778,305	S *	2/2017	Deusing	D14/486
D786,304	S *	5/2017	Cronin	D14/485
D788,792	S *	6/2017	Alessandri	D14/485
D793,438	S *	8/2017	Hosaka	D14/486
D808,988	S *	1/2018	Ayvazian	D14/485
D808,989	S *	1/2018	Ayvazian	D14/485
D809,532	S *	2/2018	Kato	D14/485
D809,544	S *	2/2018	Ambielli	B33Y 40/00
				D14/486
D812,078	S *	3/2018	Wang	D14/486
D814,516	S *	4/2018	Henderson	D14/492
D815,134	S	4/2018	Kim et al.	
D826,271	S *	8/2018	Hosaka	D14/491
10,067,472	B2	9/2018	Rossier	
D835,648	S *	12/2018	Begin	D14/486
D845,344	S *	4/2019	Hsueh	D14/492
D847,199	S *	4/2019	Whitmore	D14/488
D854,032	S *	7/2019	Jones	D14/486

* cited by examiner

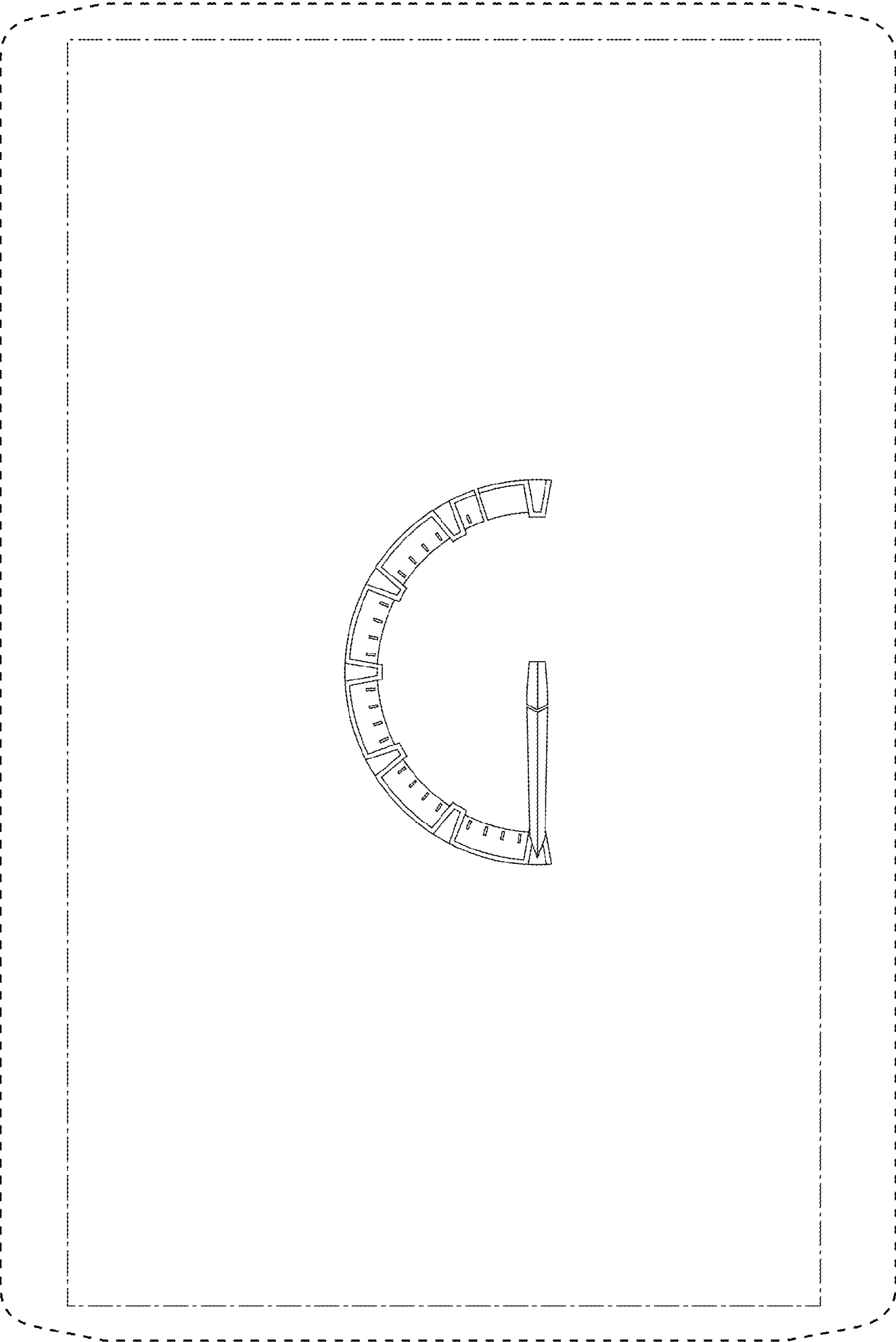


FIG. 1

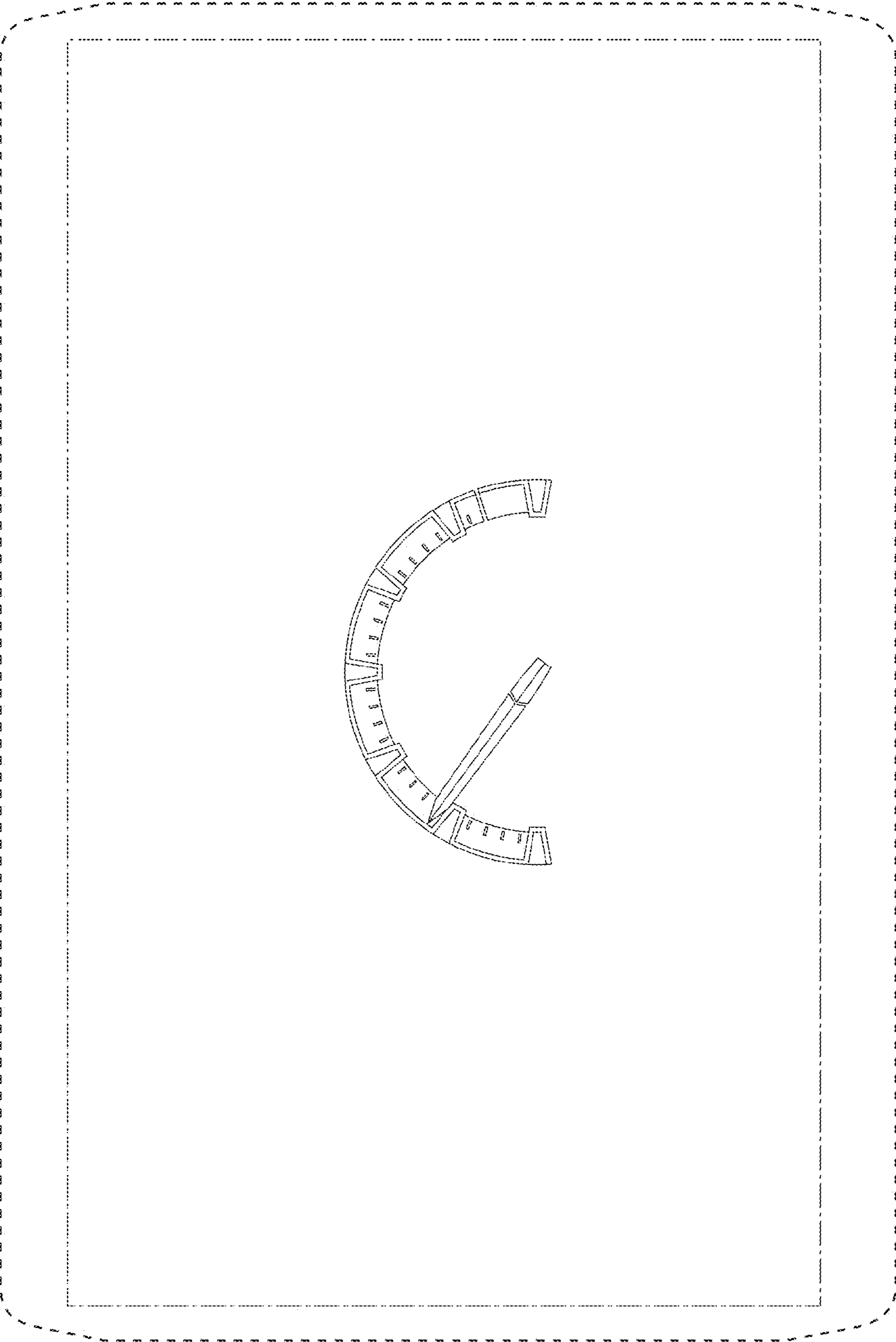


FIG. 2

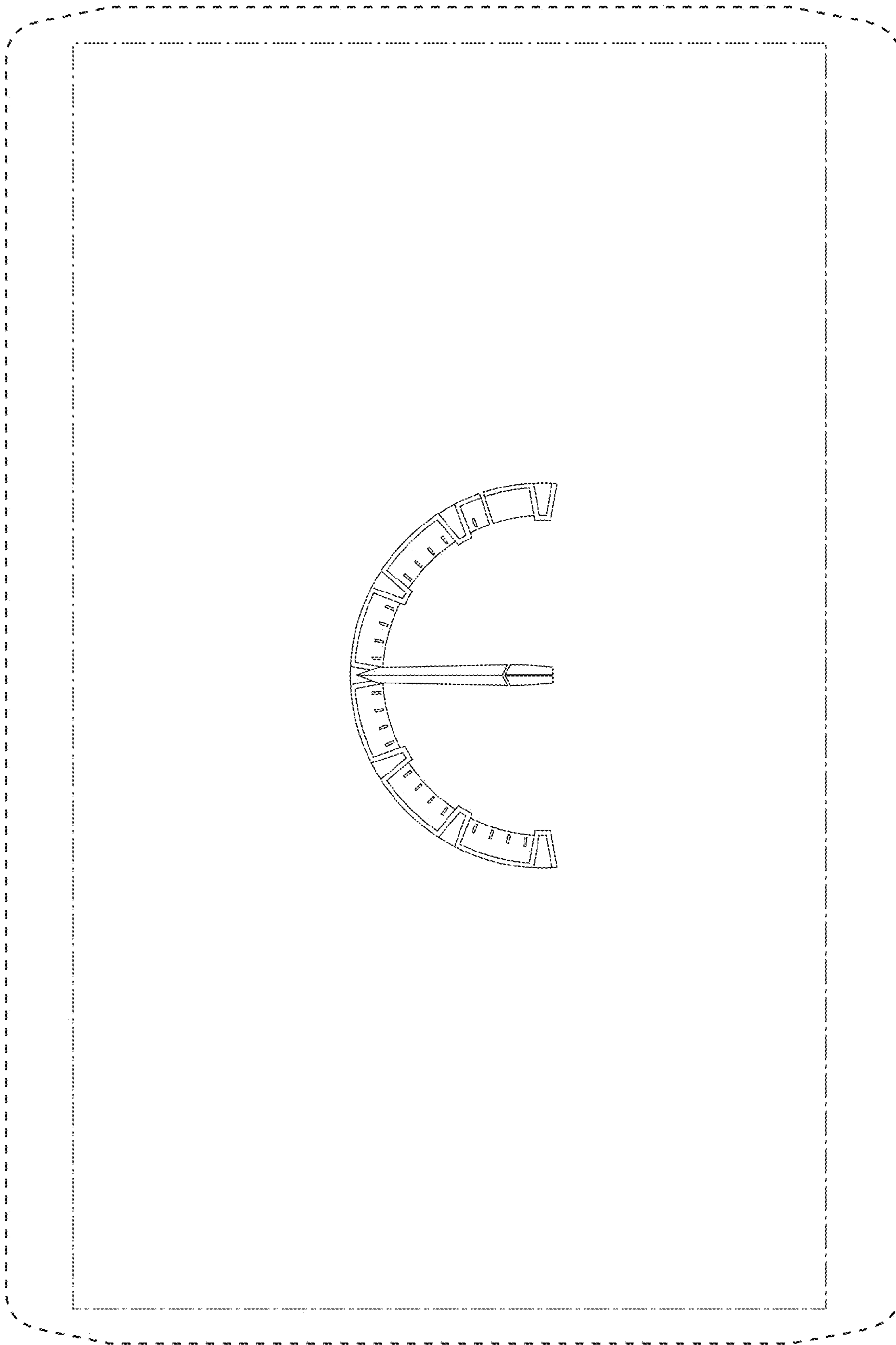


FIG. 3

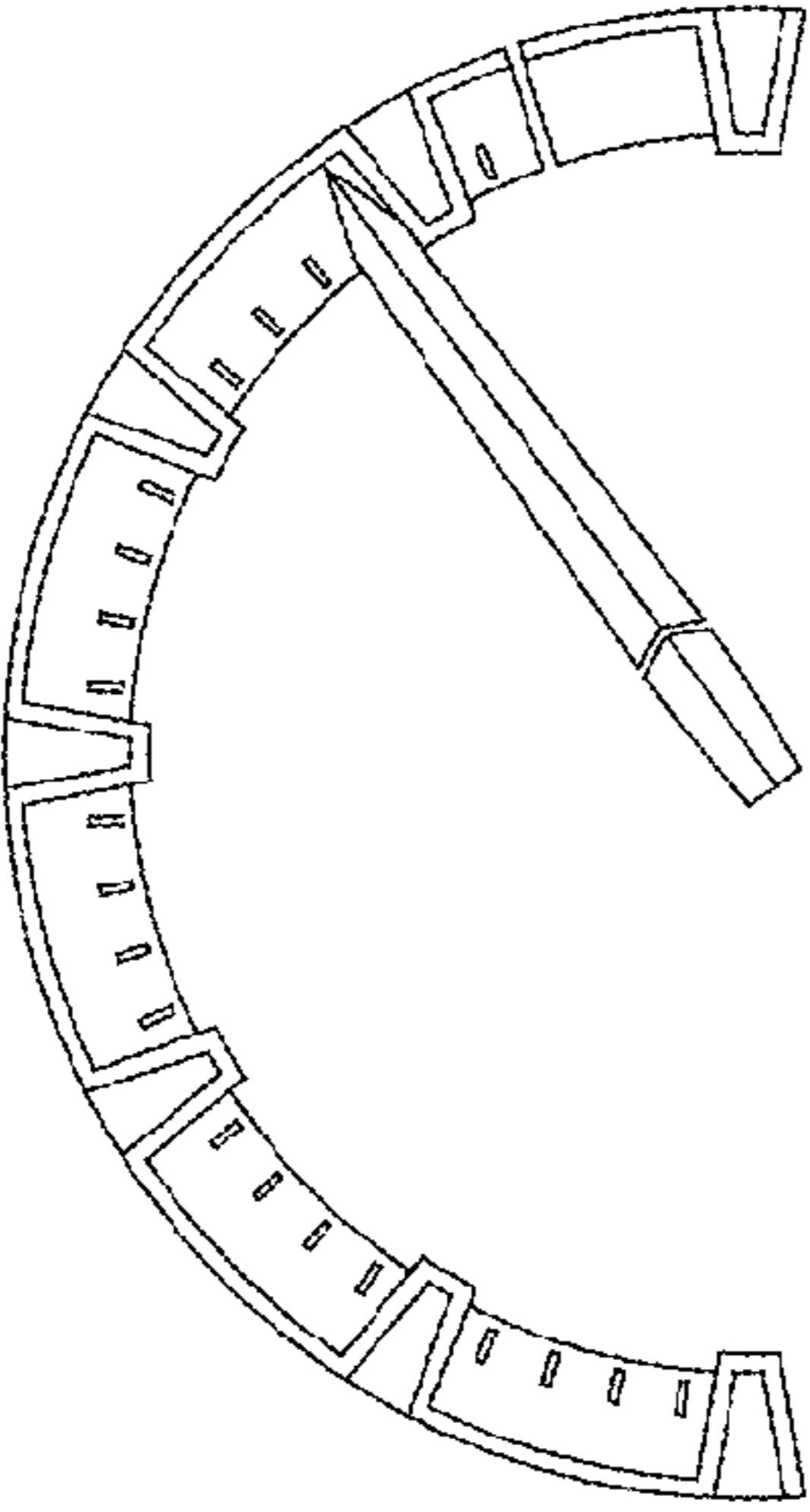
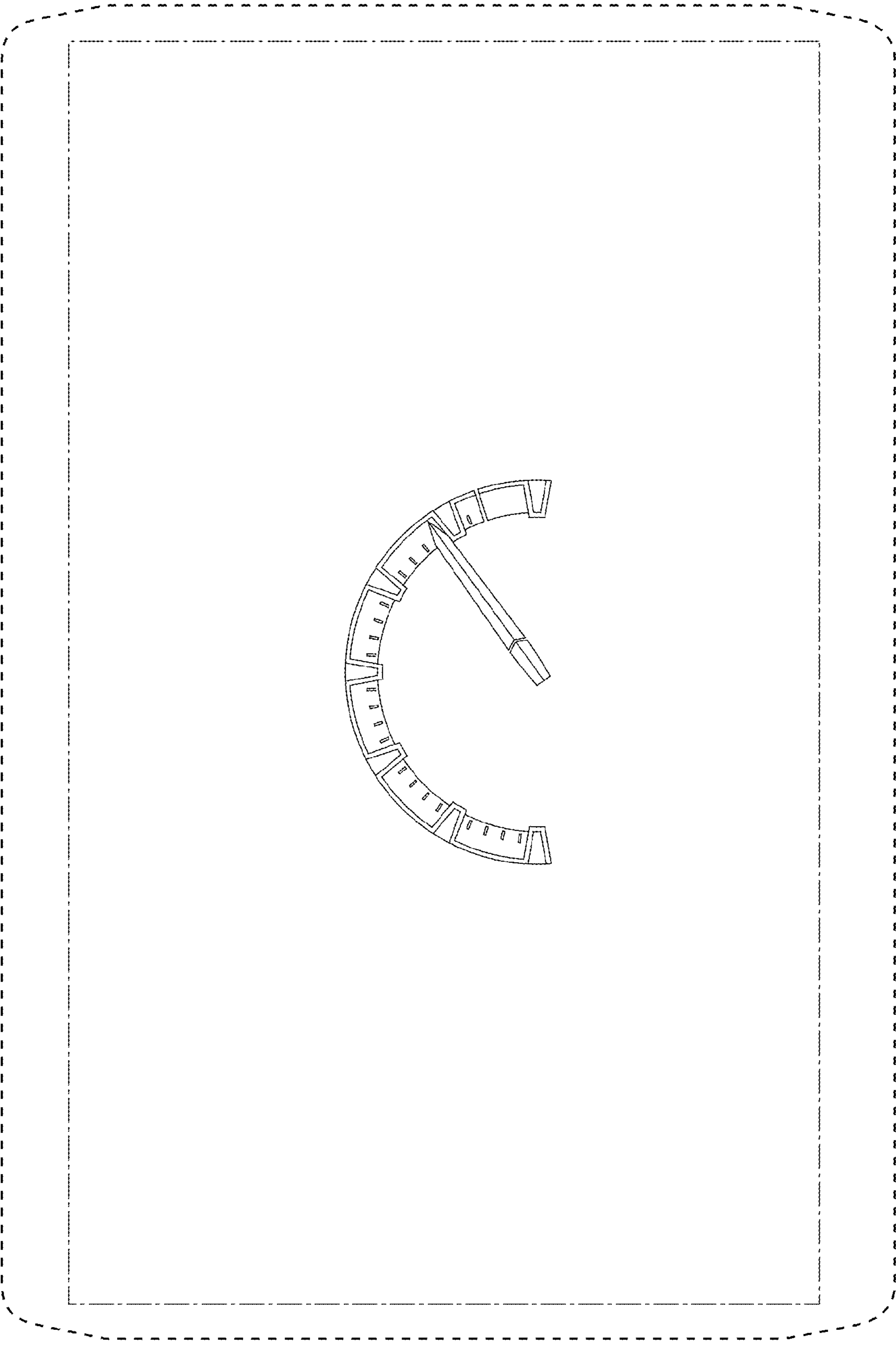


FIG. 4

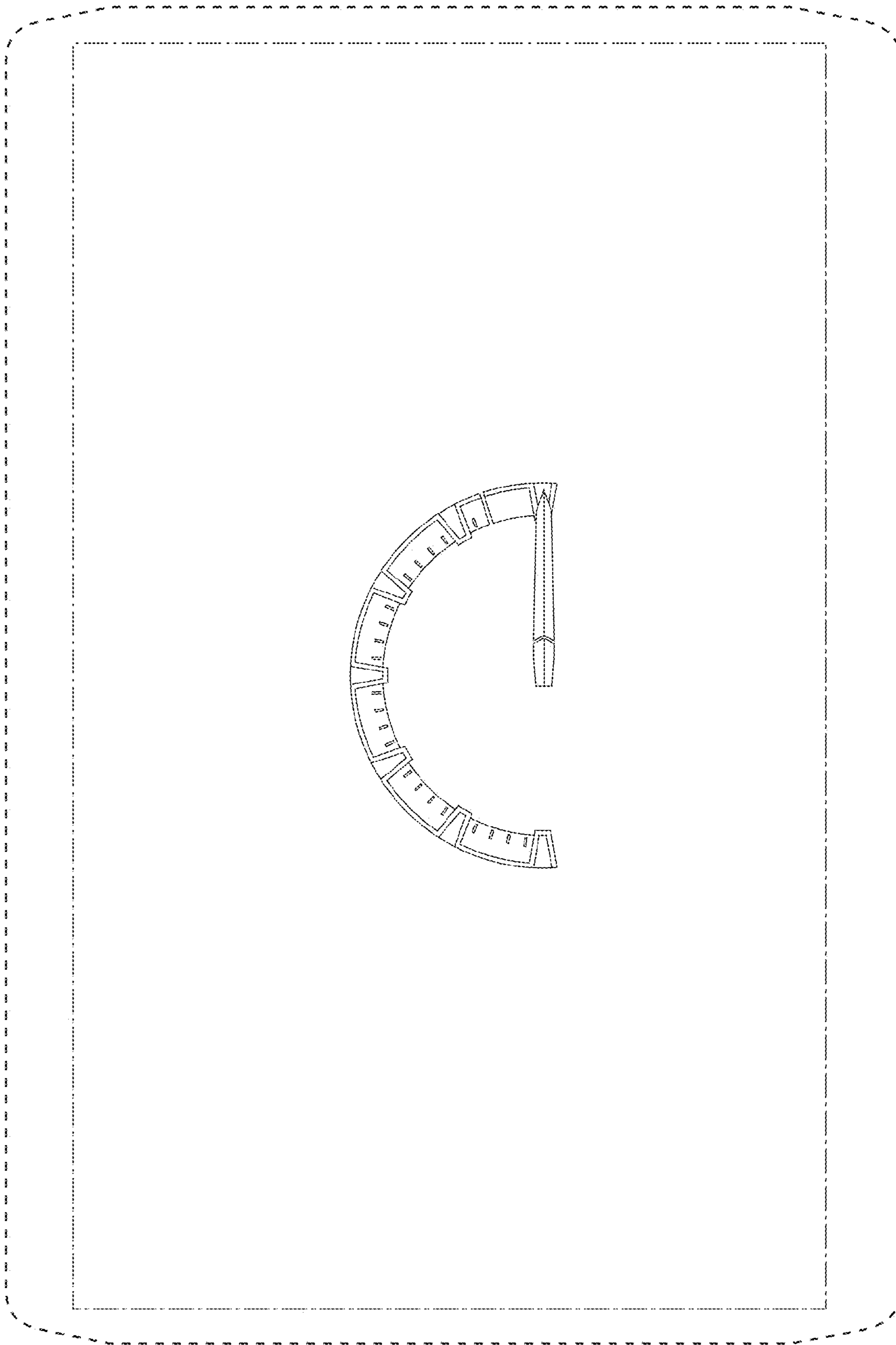


FIG. 5