



US00D874512S

(12) **United States Design Patent**  
**Kim et al.**

(10) **Patent No.:** **US D874,512 S**

(45) **Date of Patent:** **\*\* Feb. 4, 2020**

(54) **DISPLAY SCREEN OR PORTION THEREOF WITH ANIMATED GRAPHICAL USER INTERFACE**

(71) Applicant: **Samsung Electronics Co., Ltd.**,  
Suwon-si (KR)

(72) Inventors: **Jiyeon Kim**, Yongin-si (KR);  
**Sanghyuk Koh**, Jeju-si (KR);  
**Sunyoung Lee**, Seoul (KR);  
**Seockhyun Yu**, Seoul (KR)

(73) Assignee: **Samsung Electronics Co., Ltd.**,  
Suwon-si (KR)

(\*\*) Term: **15 Years**

(21) Appl. No.: **29/655,058**

(22) Filed: **Jun. 29, 2018**

(30) **Foreign Application Priority Data**

Feb. 22, 2018 (KR) ..... 30-2018-0008985

(51) **LOC (12) Cl.** ..... **14-04**

(52) **U.S. Cl.**  
USPC ..... **D14/488**

(58) **Field of Classification Search**

USPC ..... D14/485-495; D20/11; D21/324, 325  
CPC .... G06F 3/048; G06F 3/0481; G06F 3/04817;  
G06F 3/0482; G06F 3/0483; G06F  
3/04842; G06F 3/0485; G06F 3/04855;  
G06F 3/0486; G06F 3/0488; G06F  
3/04886; G06F 9/4443; G06F 17/211;  
G06F 17/212

See application file for complete search history.

(56) **References Cited**

U.S. PATENT DOCUMENTS

D761,303 S \* 7/2016 Nelson ..... D14/488  
D766,315 S \* 9/2016 Choi ..... D14/488

D769,315 S \* 10/2016 Scotti ..... D14/486  
D783,640 S \* 4/2017 Apodaca et al.  
D789,384 S \* 6/2017 Lin ..... D14/485  
D790,581 S \* 6/2017 Chaudhri et al.  
D792,444 S \* 7/2017 Cho ..... D14/488  
D807,899 S \* 1/2018 Hilhorst ..... D14/485  
D815,665 S \* 4/2018 Li ..... D14/488  
D817,987 S \* 5/2018 Broughton ..... D14/486

(Continued)

**OTHER PUBLICATIONS**

“Smartphone cameras become smarter: Google Lens vs. Bixby Vision” Apr. 26, 2018, posted at vaaju.com, [site visited Aug. 20, 2019]. <https://vaaju.com/newzealand/smartphone-cameras-become-smarter-google-lens-vs-bixby-vision-2>.\*

(Continued)

*Primary Examiner* — Jack Reickel

*Assistant Examiner* — John M Otte

(74) *Attorney, Agent, or Firm* — NSIP Law

(57)

**CLAIM**

We claim the ornamental design for a display screen or portion thereof with animated graphical user interface, as shown and described.

**DESCRIPTION**

FIG. 1 is the first image in a sequence for a display screen or portion thereof with animated graphical user interface showing our new design;

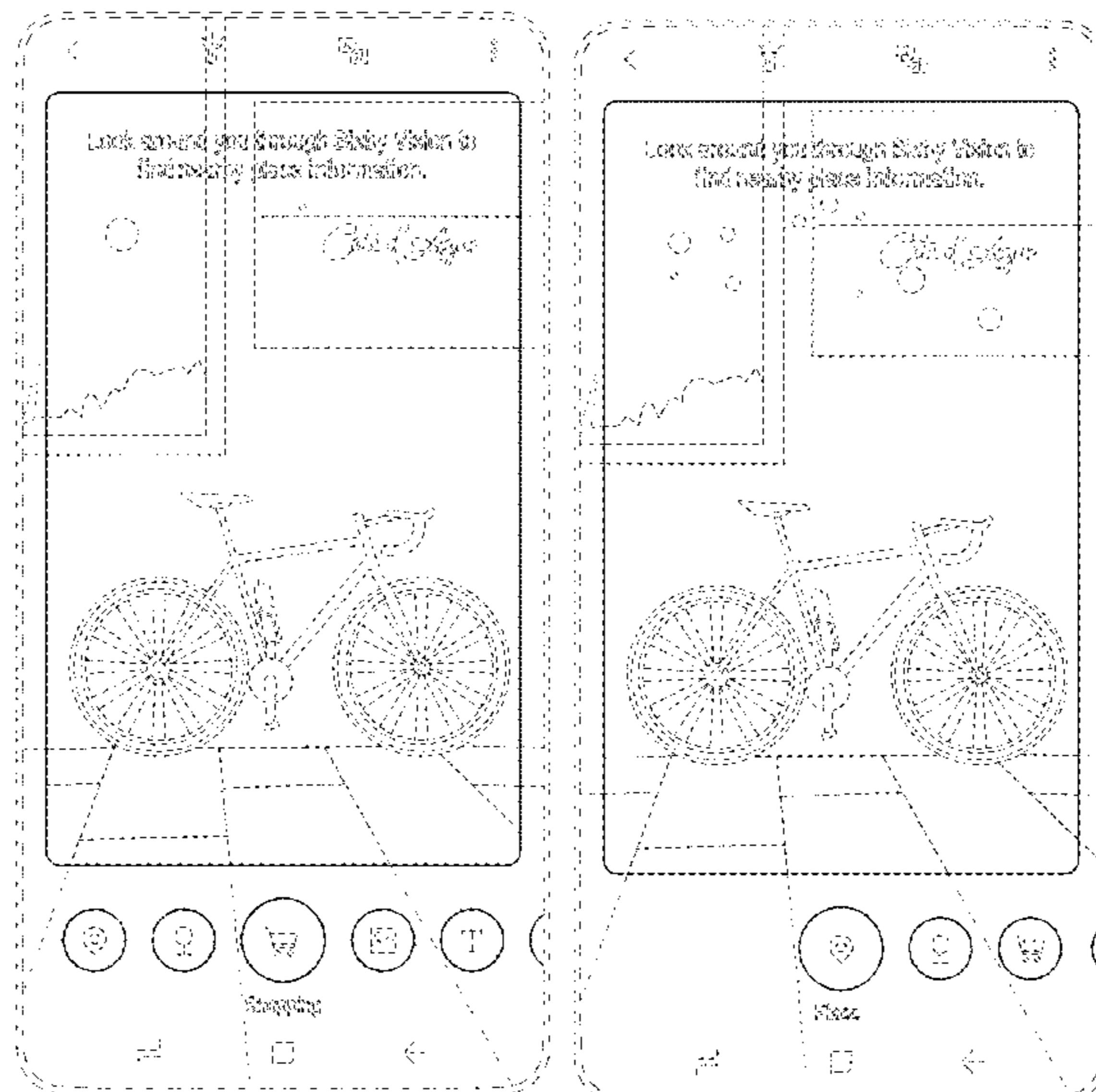
FIG. 2 is the second image thereof;

FIG. 3 is the third image thereof; and,

FIG. 4 is the fourth image thereof.

The outer perimeter shown in broken lines in the drawings represents a display screen or portion thereof and forms no part of the claimed design. The remaining broken lines in the drawings illustrate portions of the graphical user interface that form no part of the claimed design.

**1 Claim, 4 Drawing Sheets**



(56)

**References Cited**

U.S. PATENT DOCUMENTS

D820,301 S \* 6/2018 Choi ..... D14/486  
D831,062 S \* 10/2018 Chen ..... D14/487  
D834,611 S \* 11/2018 Zeng ..... D14/488  
2010/0175022 A1 \* 7/2010 Diehl ..... G06F 3/0481  
715/784  
2014/0365912 A1 \* 12/2014 Shaw ..... G06F 3/04817  
715/748

OTHER PUBLICATIONS

Gao, Shiqi, "Firefox OS TV User Interface & Animation Design"  
Apr. 30, 2015, posted at [blog.mozilla.org](http://blog.mozilla.org), [site visited Aug. 20,  
2019]. [https://blog.mozilla.org/ux/2015/04/firefox-os-tv-user-interface-  
animation-design](https://blog.mozilla.org/ux/2015/04/firefox-os-tv-user-interface-animation-design).\*

Broderick, Jeff, "ShopSavvy iOS loading animation" Jul. 7, 2014,  
posted at [dribbble.com](http://dribbble.com), [site visited Aug. 20, 2019]. [https://dribbble.  
com/shots/1632371-ShopSavvy-iOS-loading-animation](https://dribbble.com/shots/1632371-ShopSavvy-iOS-loading-animation).\*

\* cited by examiner

FIG. 1

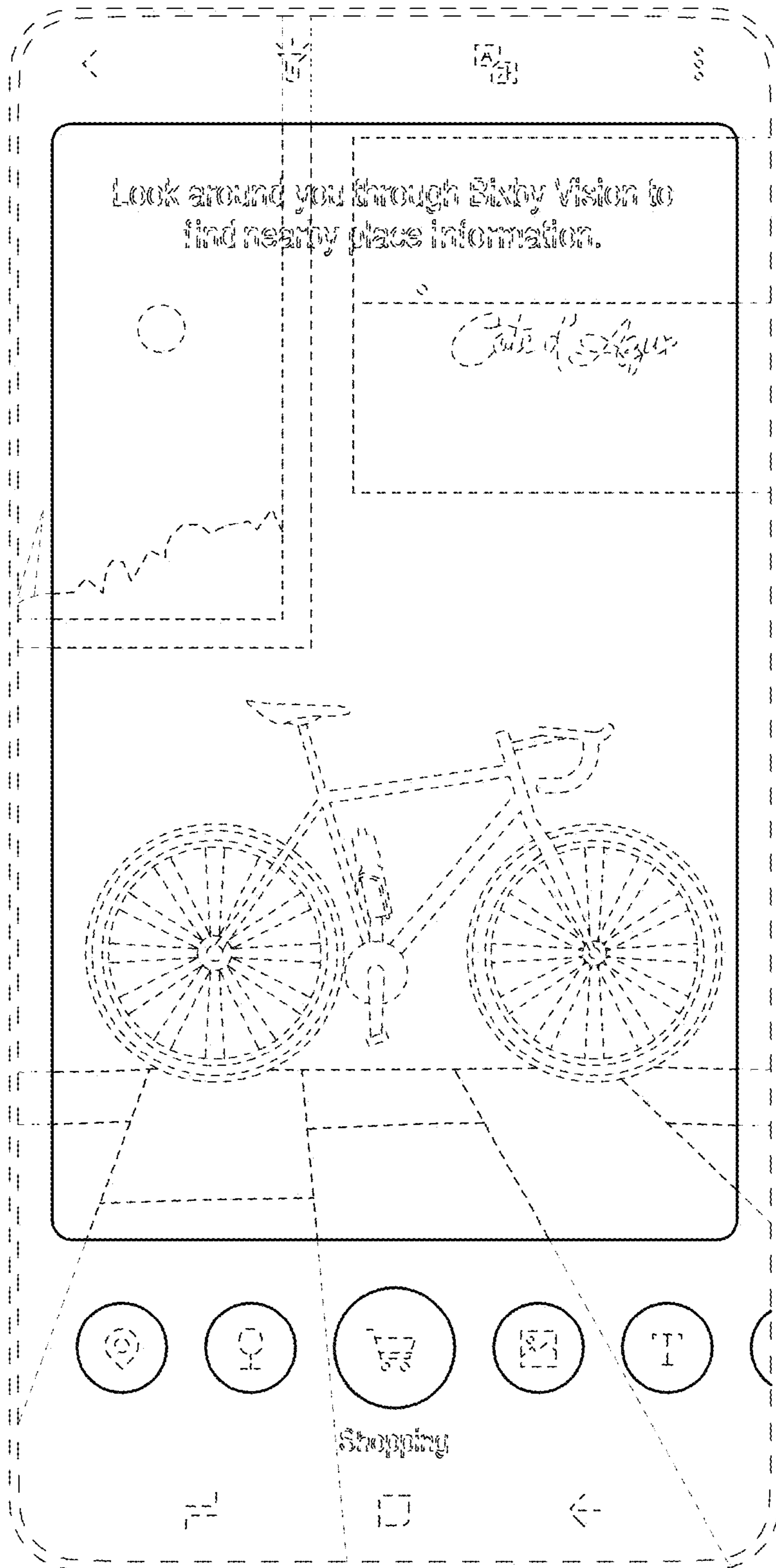


FIG. 2

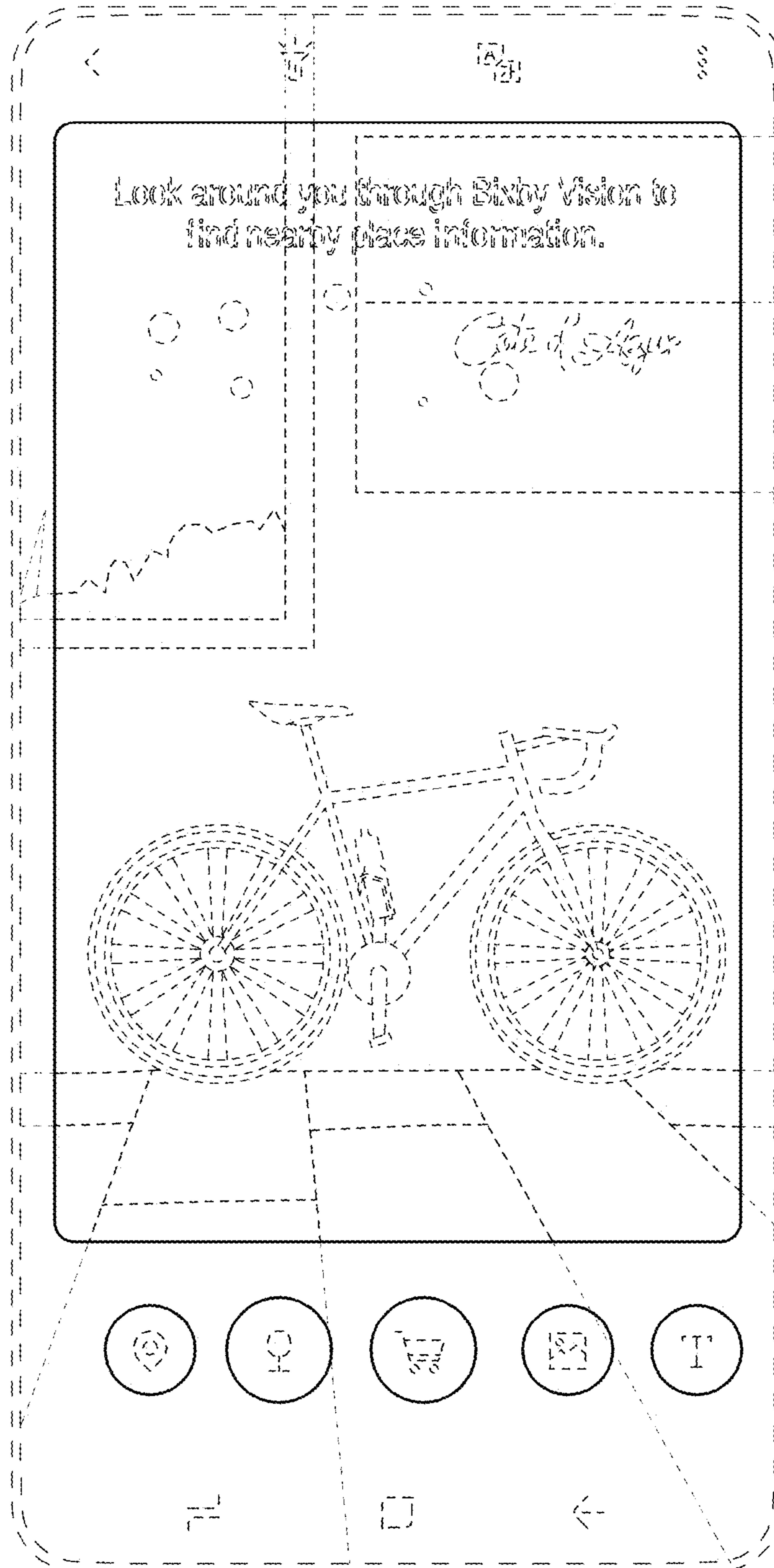


FIG. 3

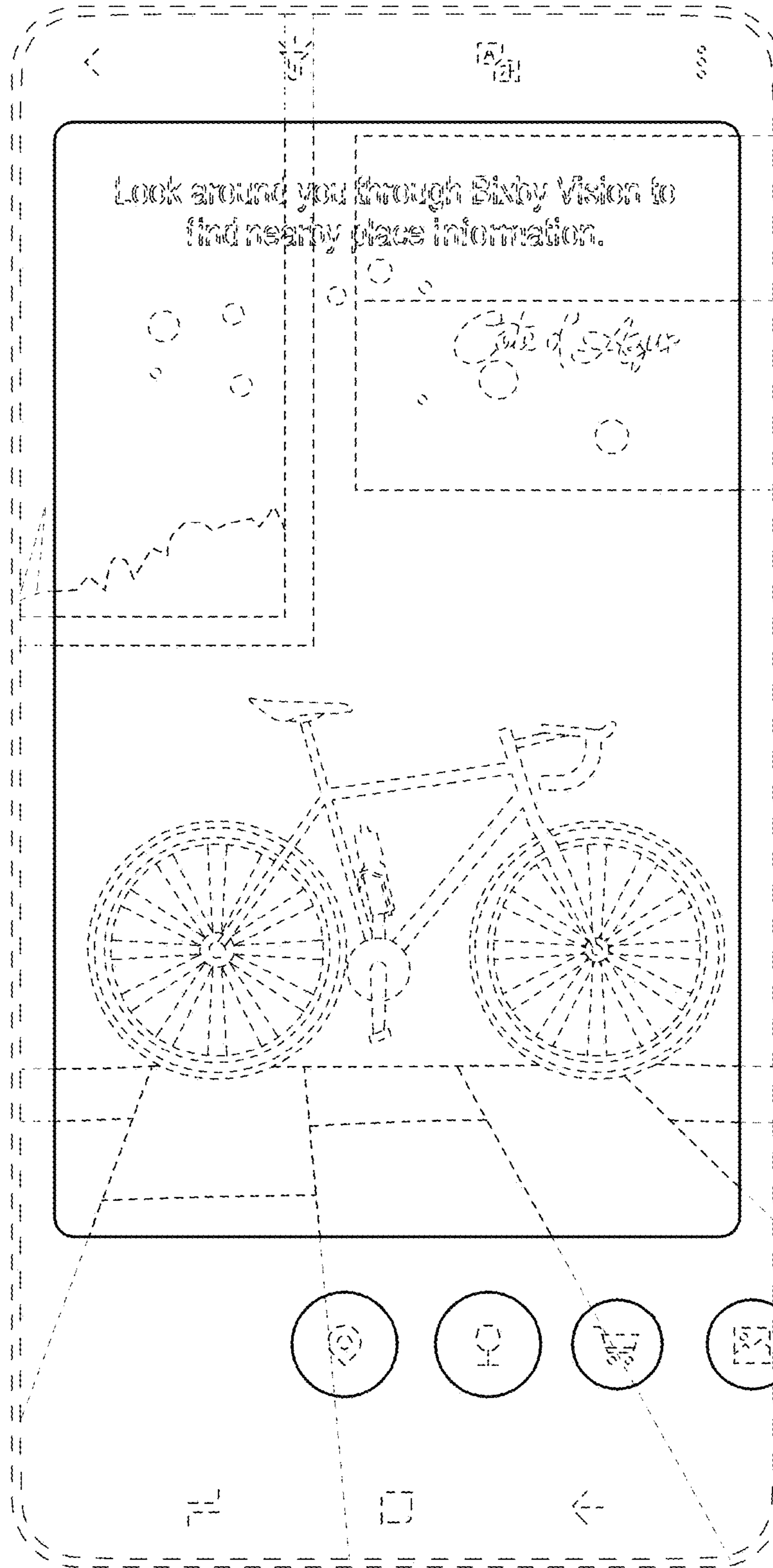


FIG. 4

