



US00D874469S

(12) **United States Design Patent** (10) **Patent No.:** **US D874,469 S**
Shim (45) **Date of Patent:** **** Feb. 4, 2020**

(54) **USB MEMORY**

D764,479 S * 8/2016 Kim D14/480.1
D774,514 S * 12/2016 Turksu D14/480.5
D786,264 S 5/2017 Lin et al.

(71) Applicant: **SAMSUNG ELECTRONICS CO., LTD.**, Suwon-si (KR)

(Continued)

(72) Inventor: **Shady Shim**, Seoul (KR)

FOREIGN PATENT DOCUMENTS

(73) Assignee: **SAMSUNG ELECTRONICS CO., LTD.**, Suwon-si (KR)

EM 000474440-0001 3/2006
TW D164338 S 11/2014
TW D167525 S 5/2015

(**) Term: **15 Years**

OTHER PUBLICATIONS

(21) Appl. No.: **29/658,623**

Known-Prior Art 1—Manufacturer: Sony, Model: Dual Micro USB 3.0 Connector, Source: <https://www.sony.co.uk/electronics/storage-devices/t/usb-flash-drives>. (one (1) page total).

(22) Filed: **Aug. 1, 2018**

(Continued)

(30) **Foreign Application Priority Data**

Feb. 2, 2018 (KR) 30-2018-0005878

(51) **LOC (12) Cl.** **14-03**

(52) **U.S. Cl.**
USPC **D14/480.1**

(58) **Field of Classification Search**
USPC D14/480.1–480.7, 435.1, 411, 433, 436,
D14/484.1, 137, 155, 203.1–203.8, 240,
D14/242; D13/133, 154
CPC H05K 5/0278; G06K 19/07732
See application file for complete search history.

Primary Examiner — Angela J Lee

(74) *Attorney, Agent, or Firm* — Sughrue Mion, PLLC

(57) **CLAIM**

The ornamental design for a USB memory, as shown and described.

(56) **References Cited**

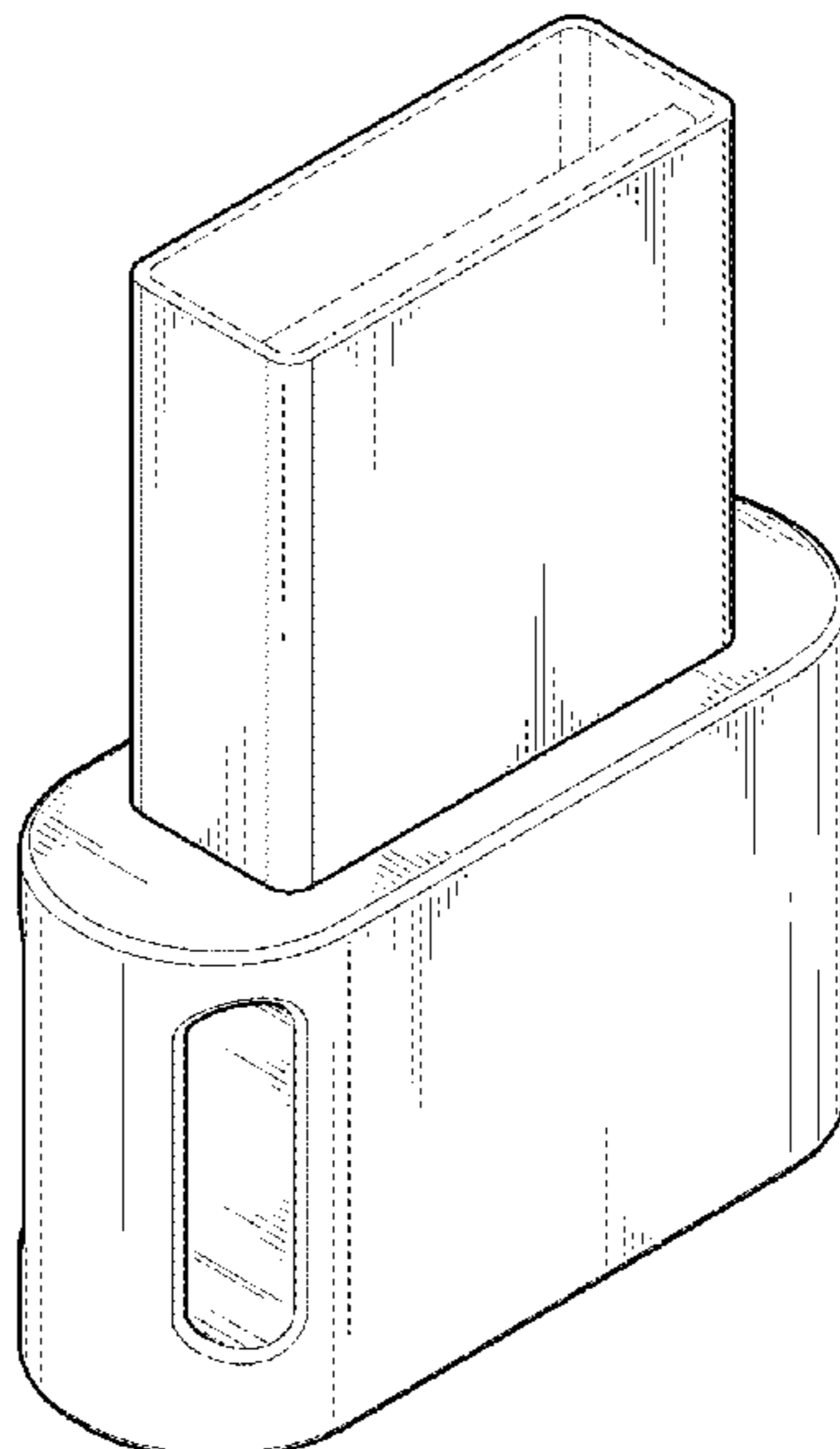
U.S. PATENT DOCUMENTS

D511,519 S 11/2005 Bone et al.
D618,226 S * 6/2010 Tong D13/133
D631,883 S * 2/2011 Maier D14/435.1
D665,754 S 8/2012 Cobbett et al.
D688,651 S * 8/2013 Daniel D14/240
D689,871 S * 9/2013 Anderson D14/480.1
D703,679 S 4/2014 Chen
D703,680 S * 4/2014 Lin D14/480.1
D707,688 S * 6/2014 Wu D14/480.1
D759,003 S * 6/2016 Daniel D14/240

DESCRIPTION

FIG. 1 is a perspective view of a universal serial bus (USB) memory showing our new design.
FIG. 2 is a front elevation view thereof.
FIG. 3 is a rear elevation view thereof.
FIG. 4 is a left side elevation view thereof.
FIG. 5 is a right side elevation view thereof.
FIG. 6 is a top plan view thereof.
FIG. 7 is a bottom plan view thereof; and,
FIG. 8 is a perspective view of USB memory shown in an example environment.
The features of the USB memory shown in broken lines in FIGS. 1, 6, and 8 form no part of the claimed design.
The other features shown in broken lines in FIG. 8 show environment only and form no part of the claimed design.

1 Claim, 7 Drawing Sheets



(56)

References Cited

U.S. PATENT DOCUMENTS

D806,089 S * 12/2017 Shim D14/480.5
D837,226 S * 1/2019 Wei D14/480.7

OTHER PUBLICATIONS

Known-Prior Art 2—Manufacturer: Hyunsoo Song from SADI,
Model: USB, Source: [http://www.yankodesign.com/2011/11/21/
memory-compartments/](http://www.yankodesign.com/2011/11/21/memory-compartments/), Nov. 21, 2011. (one (1) page total).

Anonymous, “ADATA OTG USB”, Jan. 28, 2017, Naver Blog, 12
pages total, <https://blog.naver.com/tgensk/220921720855>.

Communication issued Sep. 18, 2018, issued by the Korean Intel-
lectual Property Office in counterpart Korean Patent Application
No. 30-2018-0005878.

Communication issued Dec. 10, 2018, issued by the Taiwanese
Patent Office in counterpart Taiwanese Patent Application No.
107304489.

* cited by examiner

FIG. 1

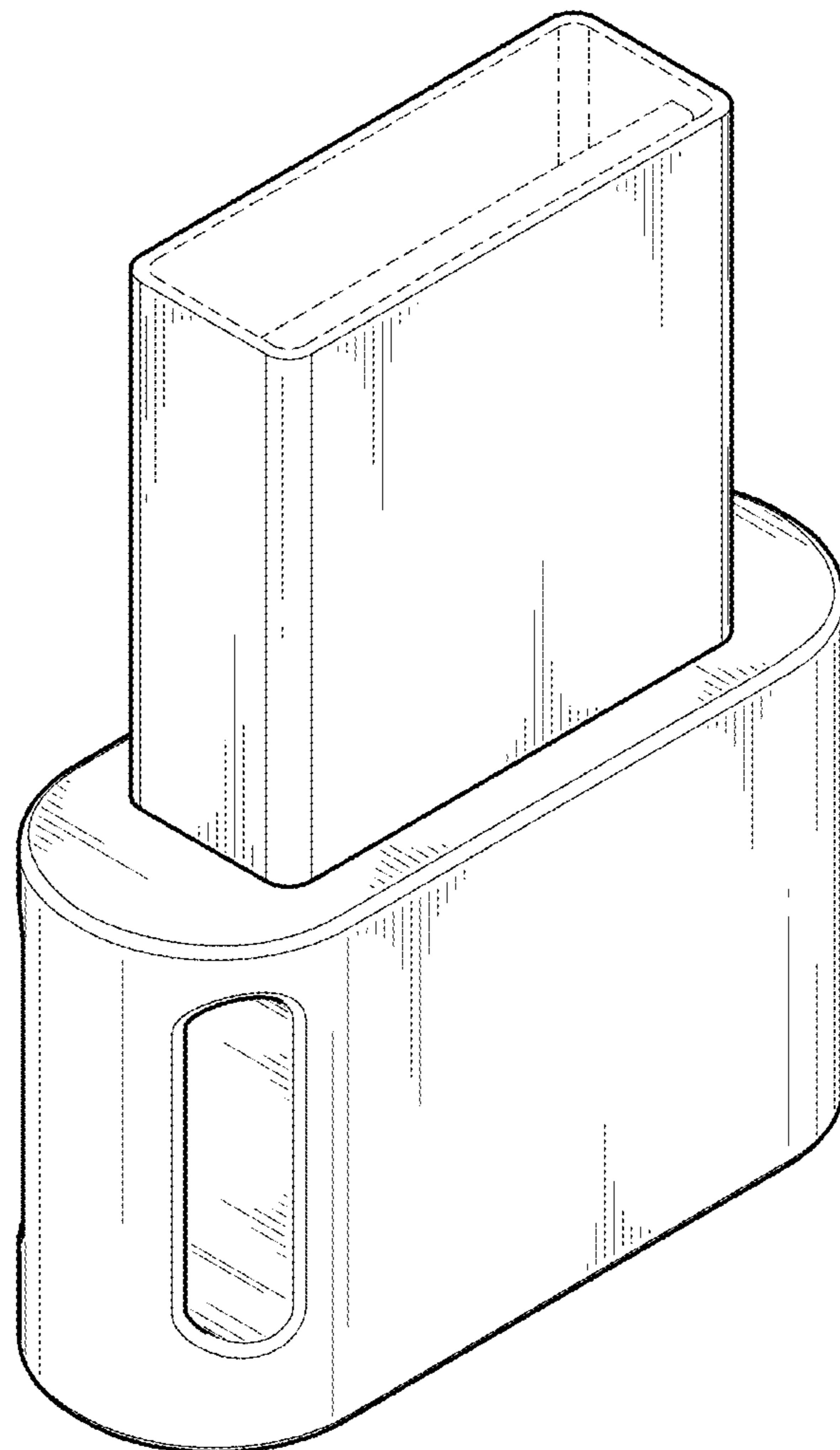


FIG. 2

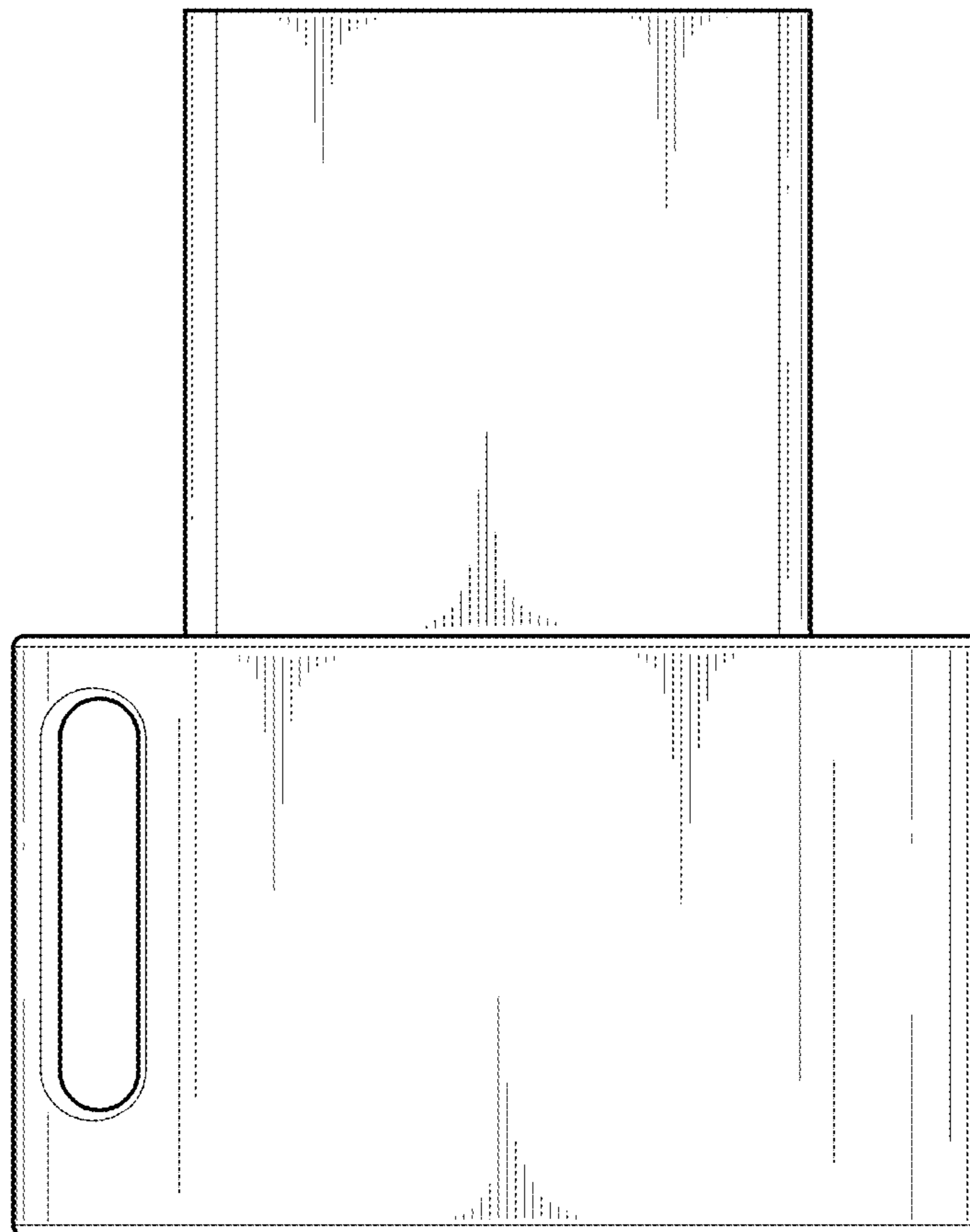


FIG. 3

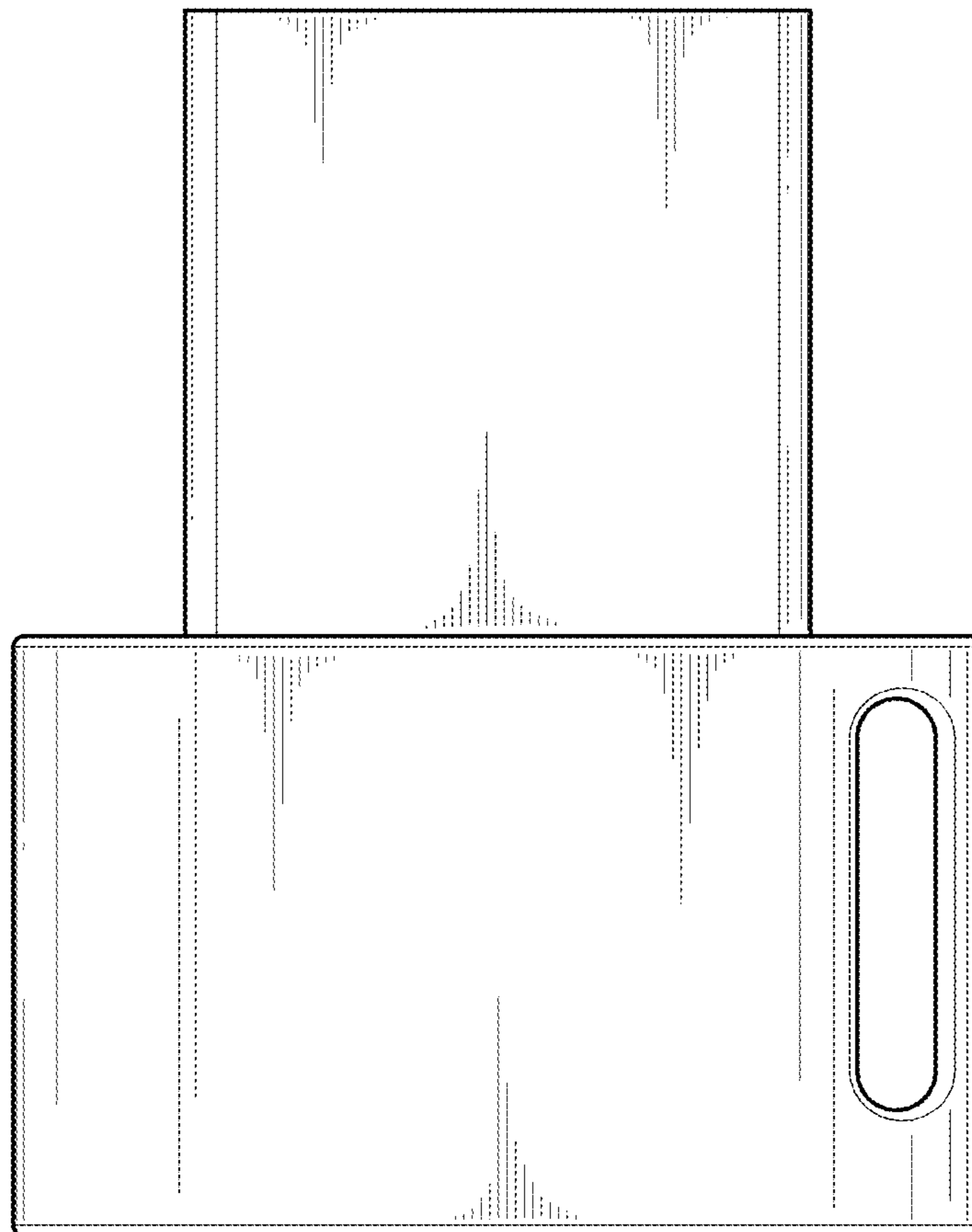


FIG. 4

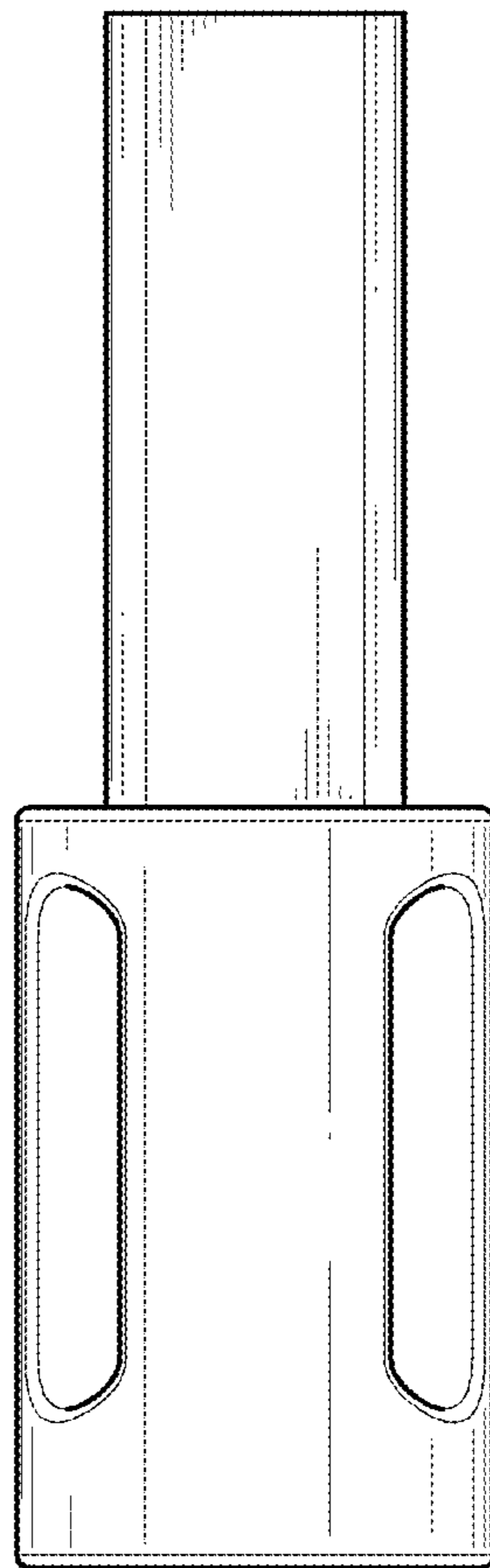


FIG. 5

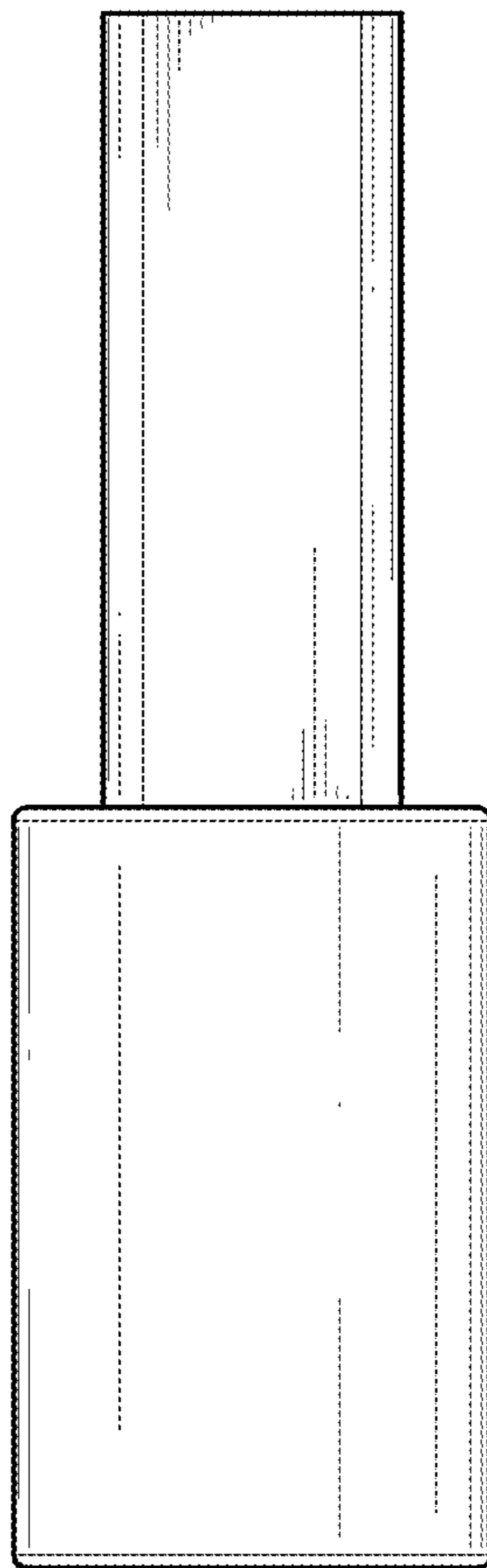


FIG. 6

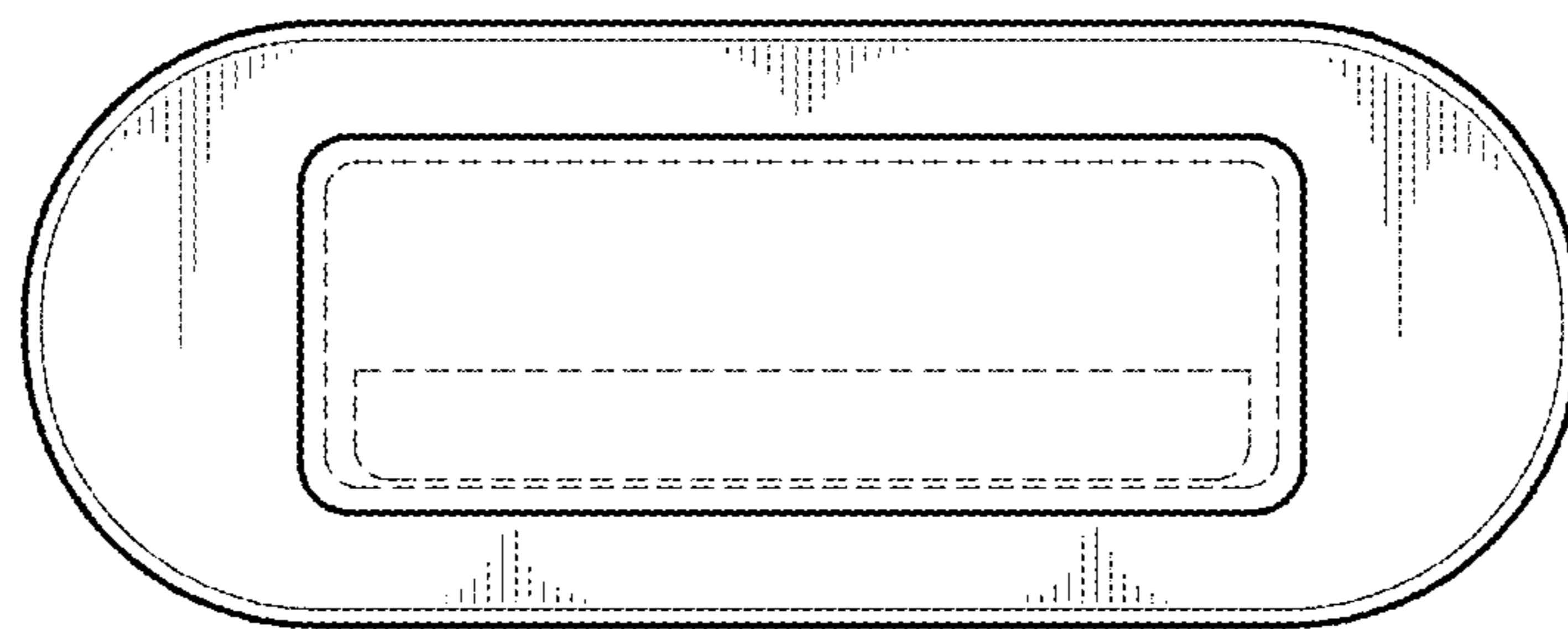


FIG. 7

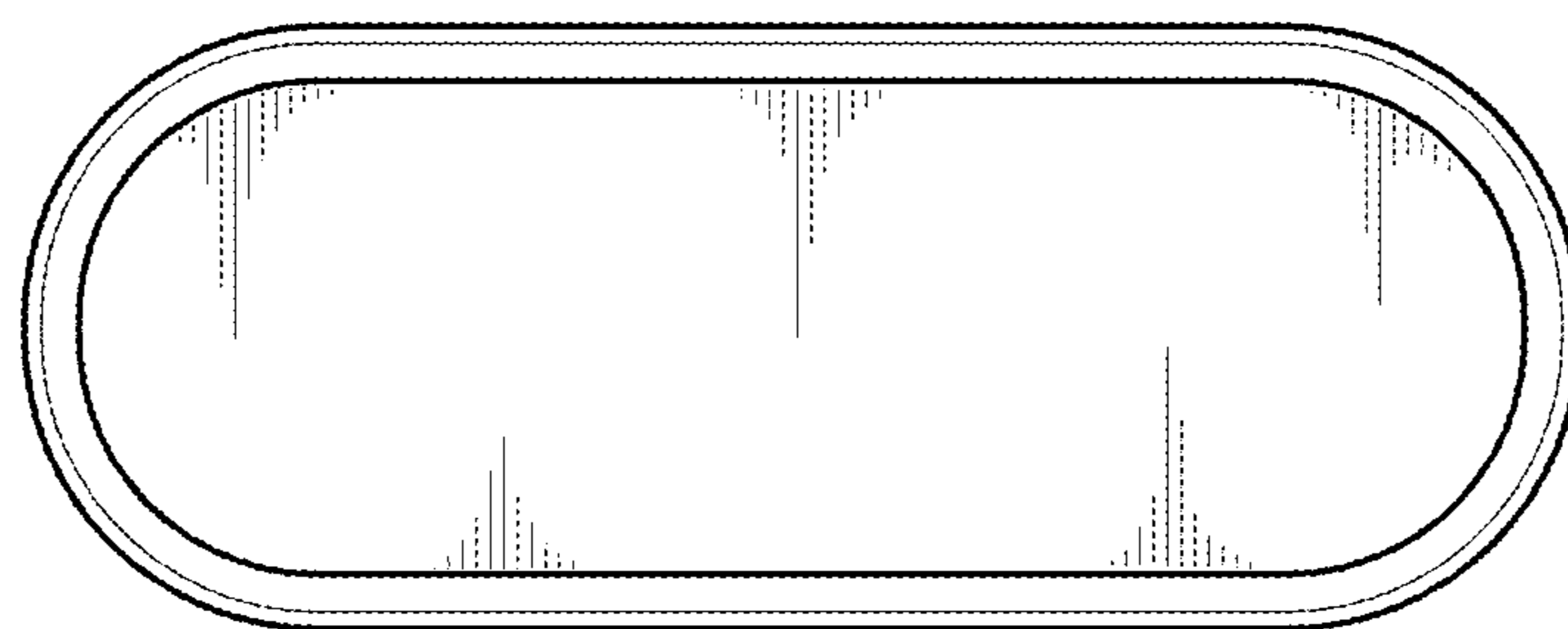


FIG. 8

