



US00D874467S

(12) **United States Design Patent**
Piper et al.

(10) **Patent No.:** **US D874,467 S**

(45) **Date of Patent:** **** Feb. 4, 2020**

(54) **CASE FOR TABLET-SHAPED PORTABLE ELECTRONIC DEVICE**

(71) Applicant: **Pioneer Square Brands, Inc.**, Seattle, WA (US)

(72) Inventors: **Brian Lewis Piper**, Seattle, WA (US); **Michael Cooper Ferren**, Camas, WA (US); **Jaimie Emerald Chan**, Renton, WA (US)

(73) Assignee: **Pioneer Square Brands, Inc.**, McLean, VA (US)

(**) Term: **15 Years**

(21) Appl. No.: **29/708,353**

(22) Filed: **Oct. 4, 2019**

(51) **LOC (12) Cl.** **14-02**

(52) **U.S. Cl.**
USPC **D14/440**

(58) **Field of Classification Search**
USPC D14/440, 250, 447; 206/45.23, 320, 206/45.2; 361/679.55; 294/25; 224/218
CPC ... G06F 1/1628; G06F 1/1626; A47B 23/044; H04B 1/3888
See application file for complete search history.

(56) **References Cited**

U.S. PATENT DOCUMENTS

D574,385 S	8/2008	Koh et al.	
D574,836 S	8/2008	Koh et al.	
D636,396 S	4/2011	Li	
D641,756 S	7/2011	Hsieh et al.	
D643,433 S *	8/2011	Hsieh	D14/440
D643,843 S	8/2011	Hsieh et al.	
D656,135 S *	3/2012	Swartz	D14/238.1
D662,929 S *	7/2012	Fahrendorff	D14/250
D665,168 S	8/2012	Dawson	

D668,660 S	10/2012	Norfolk	
D673,159 S	12/2012	McCarthy et al.	
D673,937 S *	1/2013	Cheng	D14/250
D674,789 S *	1/2013	Wen	A45C 11/00 D14/250
D674,801 S	1/2013	Wharram	
D678,262 S *	3/2013	Prato	D14/250
D688,249 S	8/2013	Wharram	
8,523,124 B2 *	9/2013	Yuan	F16M 11/10 248/188.8
D691,122 S	10/2013	Bau	
D694,759 S	12/2013	Chang et al.	
D695,298 S	12/2013	Han et al.	
D696,257 S *	12/2013	Ward	D14/440
D706,256 S *	6/2014	Ward	D14/250
D709,510 S	7/2014	Soare	
D714,295 S *	9/2014	Fujioka	D14/440
D716,282 S	10/2014	Melanson et al.	
D716,312 S *	10/2014	Fujioka	D14/440
D718,316 S	11/2014	Veltz et al.	
D721,357 S *	1/2015	Johnson	D14/250

(Continued)

Primary Examiner — Cynthia R Underwood

(74) *Attorney, Agent, or Firm* — Grandview Law

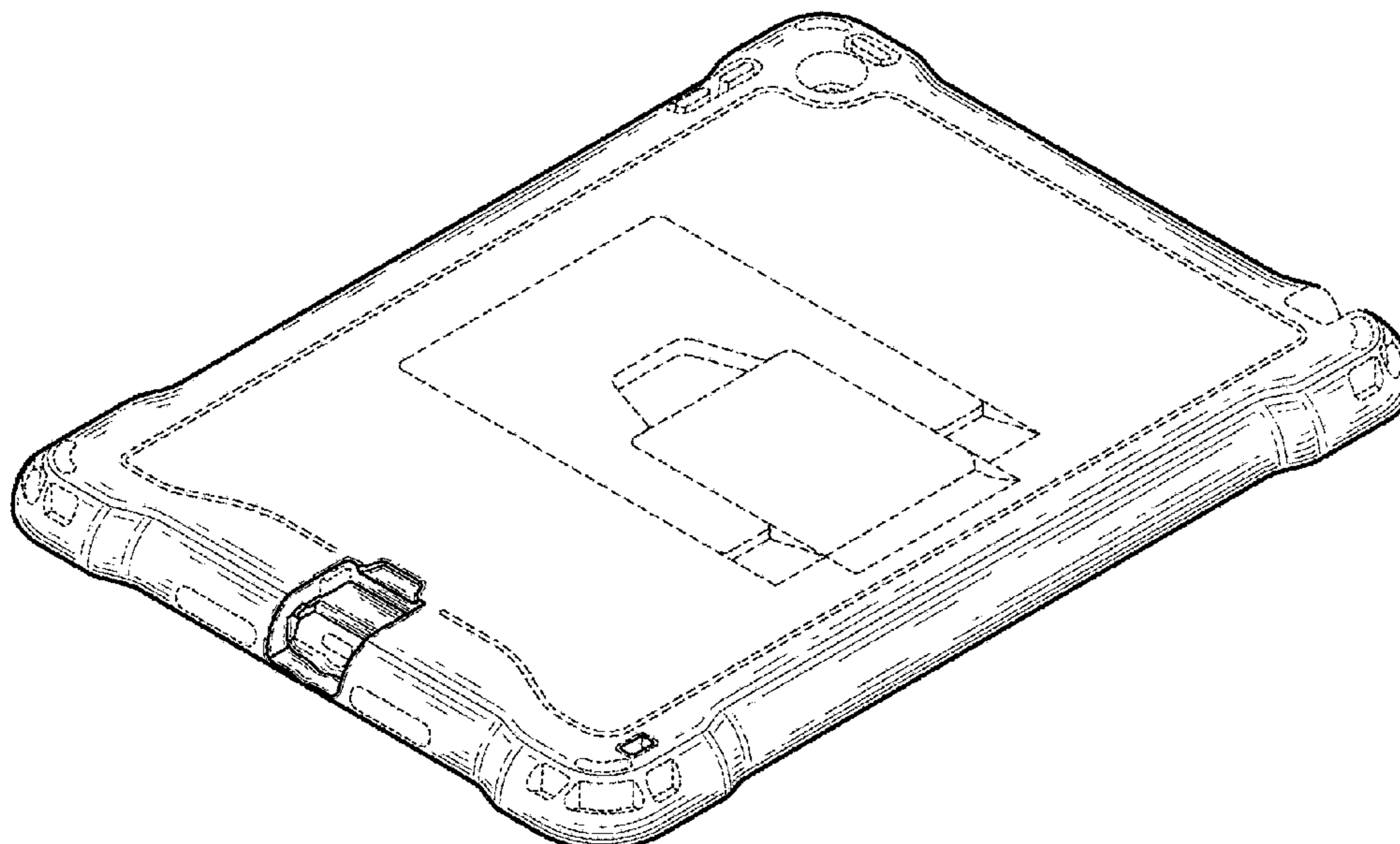
(57) **CLAIM**

The ornamental design for a case for tablet-shaped portable electronic device, as shown and described.

DESCRIPTION

FIG. 1 is a perspective view of a case for tablet-shaped portable electronic device showing our new design; FIG. 2 is a front elevational view thereof; FIG. 3 is a rear elevational view thereof; FIG. 4 is a top plan view thereof; FIG. 5 is a bottom plan view thereof; FIG. 6 is a left elevational view thereof; and, FIG. 7 is a right elevational view thereof. The features shown in broken lines in the drawing figures depict features that form no part of the claimed design.

1 Claim, 3 Drawing Sheets



(56)

References Cited

U.S. PATENT DOCUMENTS

D729,252 S	5/2015	Smith et al.	
D729,811 S	5/2015	Alis	
D734,761 S	7/2015	Ballou et al.	
D754,133 S *	4/2016	Chen	D14/440
D754,651 S *	4/2016	Roberts	D14/250
D756,344 S *	5/2016	Roberts	D14/250
D761,263 S *	7/2016	Brinkman	D14/440
D762,203 S *	7/2016	Chin	D14/250
D763,854 S	8/2016	Donke et al.	
D763,856 S	8/2016	Moore	
D764,477 S *	8/2016	Su	D14/440
D770,458 S	11/2016	Corcoran et al.	
D775,132 S	12/2016	Smith et al.	
D777,727 S	1/2017	Maicon et al.	
D784,349 S *	4/2017	Schwibner	D14/440
D789,937 S	6/2017	Zhang	
D791,773 S	7/2017	Moore et al.	
D792,886 S *	7/2017	Schwibner	D14/440
D794,625 S	8/2017	Armstrong et al.	
D795,878 S	8/2017	English et al.	
D806,082 S	12/2017	Armstrong et al.	
D811,410 S	2/2018	Burnester	
D812,065 S	3/2018	Shim	
D812,618 S	3/2018	Altaras	
D812,619 S	3/2018	Altaras	
D816,651 S	5/2018	Chiang et al.	
D817,334 S *	5/2018	Fenton	D14/440
D817,944 S	5/2018	Akana et al.	
D821,380 S	6/2018	Cramer et al.	
D821,382 S	6/2018	Livingston	
D822,014 S	7/2018	Han	
D823,297 S	7/2018	Kim et al.	
D827,630 S	9/2018	Ahn	
D828,842 S	9/2018	Mecchella et al.	
D831,631 S	10/2018	Li	
D832,019 S	10/2018	Kim	
D832,269 S	10/2018	Cheng	
D833,425 S	11/2018	Ahn	
D834,026 S *	11/2018	Moore	D14/440
D834,581 S	11/2018	Li	
D837,779 S	1/2019	Kim	
D837,796 S	1/2019	Kim et al.	
D837,797 S *	1/2019	Wright	D14/440
D841,012 S	2/2019	Kim et al.	
D841,013 S	2/2019	Ferren et al.	
D846,542 S *	4/2019	Sasaki	D14/250
D848,441 S	5/2019	Ferren et al.	
D850,454 S	6/2019	Kim et al.	
D852,199 S *	6/2019	Kim	D14/440
D852,200 S *	6/2019	Chan	D14/440
D852,201 S *	6/2019	Chan	D14/440
D852,802 S	7/2019	Gao	
D853,878 S *	7/2019	Wright	D10/128
D854,546 S *	7/2019	Mecchella	D14/440
D855,058 S	7/2019	Cebe	
D855,615 S	8/2019	Feng	
D856,145 S	8/2019	Trachtenberg et al.	
D856,341 S *	8/2019	Tur	D14/440
D857,022 S *	8/2019	Tur	D14/440
D857,023 S	8/2019	Hyun	
D860,212 S	9/2019	Ahn	
D860,982 S	9/2019	Ackeret et al.	
D860,998 S	9/2019	Thiers	
D860,999 S	9/2019	Kim	
D861,664 S	10/2019	Chen	
D861,697 S	10/2019	Gao	
D862,477 S *	10/2019	Kim	D14/440
D863,317 S *	10/2019	Piper	D14/440
2011/0297578 A1 *	12/2011	Stiehl	B29C 45/1676 206/701
2012/0018325 A1 *	1/2012	Kim	A45C 11/00 206/320
2012/0043236 A1 *	2/2012	Szucs	A45C 11/00 206/320
2012/0182678 A1 *	7/2012	Wu	H04M 1/04 361/679.01
2012/0257340 A1 *	10/2012	Kim	H04B 1/3888 361/679.01
2014/0216953 A1 *	8/2014	Su	A45C 11/00 206/37

* cited by examiner

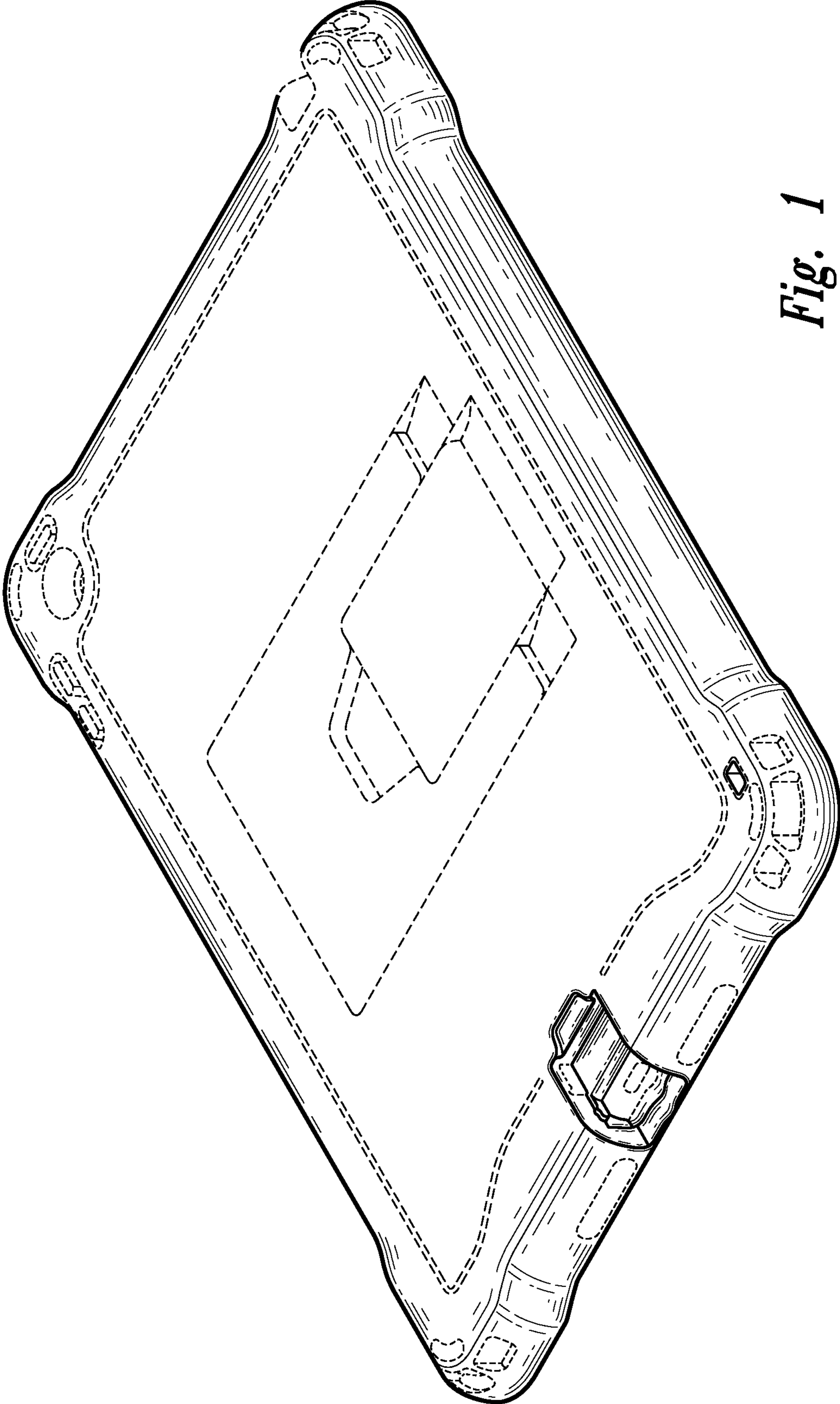


Fig. 1

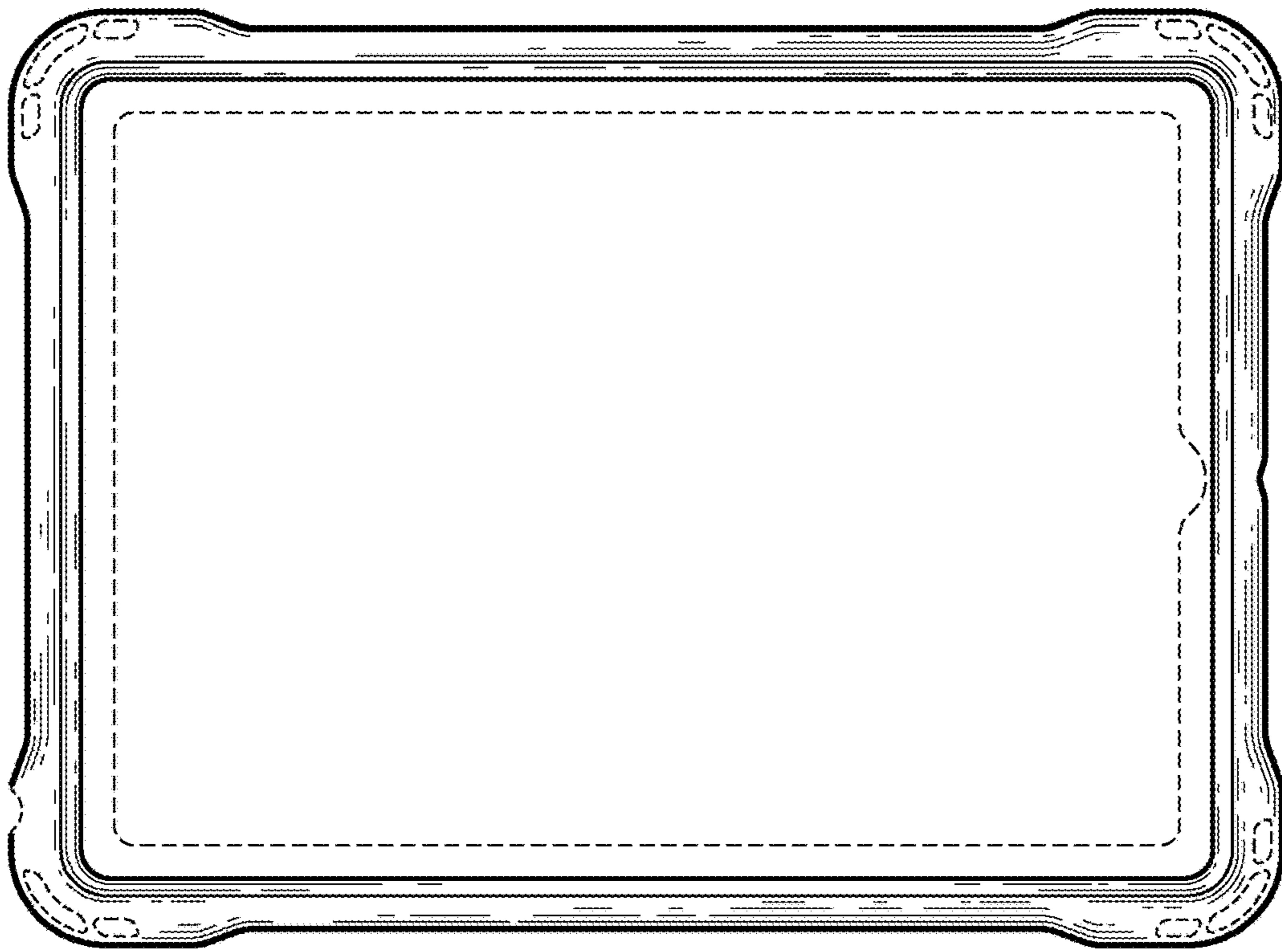


Fig. 2

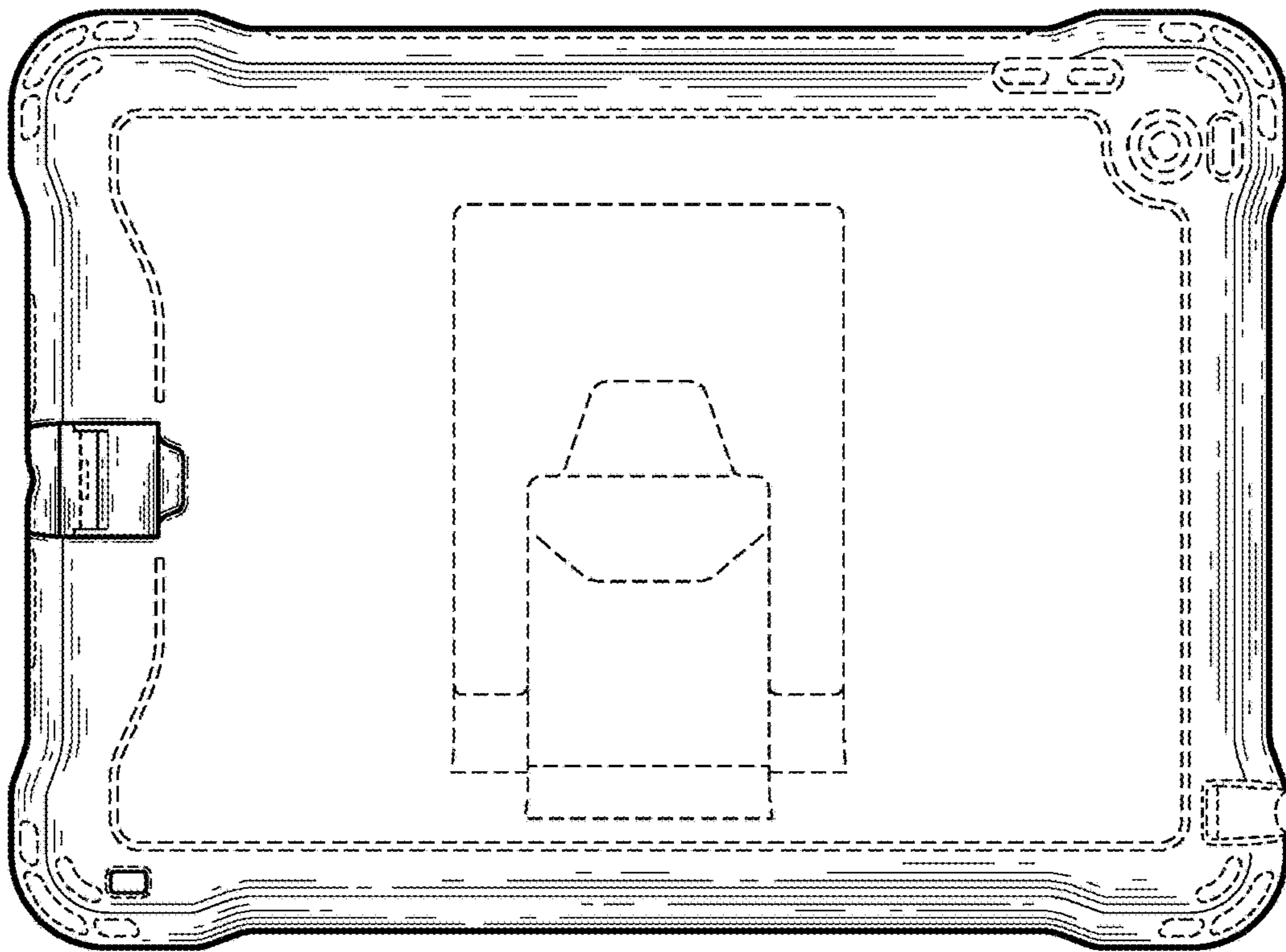


Fig. 3

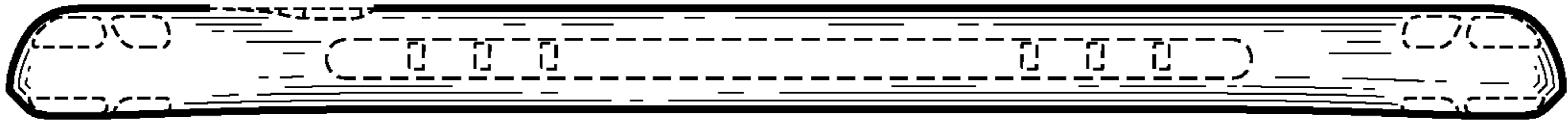


Fig. 4



Fig. 5

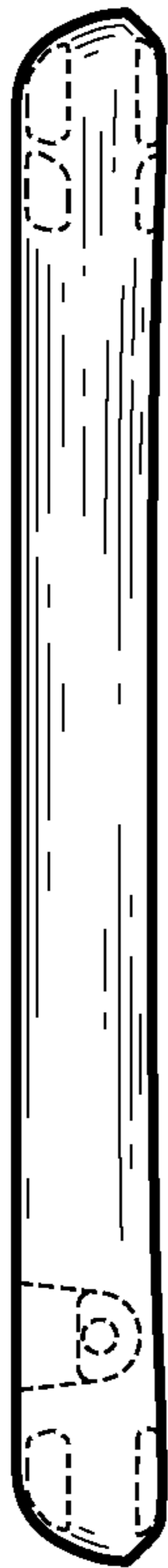


Fig. 6



Fig. 7