

US00D874465S

(12) **United States Design Patent** (10) **Patent No.:** **US D874,465 S**
Poon (45) **Date of Patent:** **** *Feb. 4, 2020**

(54) **CASE FOR PORTABLE ELECTRONIC DEVICE**

(71) Applicant: **GRIFFIN TECHNOLOGY, LLC**, Irvine, CA (US)

(72) Inventor: **Daniel Poon**, Nashville, TN (US)

(73) Assignee: **Griffin Technology, LLC**, Irvine, CA (US)

(*) Notice: This patent is subject to a terminal disclaimer.

(**) Term: **15 Years**

(21) Appl. No.: **29/614,698**

(22) Filed: **Aug. 22, 2017**

(51) **LOC (12) Cl.** **14-02**

(52) **U.S. Cl.**
USPC **D14/440**

(58) **Field of Classification Search**
USPC D14/440; D8/440; 261/45.23, 320, 45.2;
361/679.55; 29/25; D3/218
CPC G06F 1/628; G06F 1/626; H04B 1/3555;
H05K 5/0217
See application file for complete search history.

(56) **References Cited**

U.S. PATENT DOCUMENTS

D670,279 S *	11/2012	Veltz	D14/250
D690,305 S *	9/2013	Wen	D14/440
D724,093 S *	3/2015	Dong	D14/440
D733,154 S *	6/2015	Armstrong	D14/440
D733,714 S *	7/2015	Ballou	D14/440
D737,276 S *	8/2015	Armstrong	D14/440
D766,249 S *	9/2016	Veltz	D14/440
D801,976 S *	11/2017	Li	D14/440

D804,486 S *	12/2017	Nyholm	D14/440
D807,370 S *	1/2018	Chen	D14/440
D808,371 S *	1/2018	Kim	D14/250
D808,395 S *	1/2018	Fenton	D14/440
2015/0068934 A1*	3/2015	Armstrong	A45C 11/00 206/320
2017/0045920 A1*	2/2017	Armstrong	G06F 1/1669

OTHER PUBLICATIONS

Griffin Survivor All-Terrain Rugged Case for 10.5 Inch iPad Pro, printed from Website: <https://griffintechology.com/us/survivor-products/tablet-cases/all-terrain-tablet-cases/survivor-all-terrain-ipad-pro-10-5> on Aug. 31, 2017.

* cited by examiner

Primary Examiner — Cynthia R Underwood

(74) Attorney, Agent, or Firm — Manatt, Phelps & Phillips, LLP

(57) **CLAIM**

I claim the ornamental design for a case for portable electronic device, as shown and described.

DESCRIPTION

FIG. 1 is a front perspective view of a design for a case for portable electronic device.

FIG. 2 is a rear perspective view thereof.

FIG. 3 is a front view thereof.

FIG. 4 is a rear view thereof.

FIG. 5 is a rear view thereof showing a slide cover located at a position different from that of FIG. 4.

FIG. 6 is a left side view thereof.

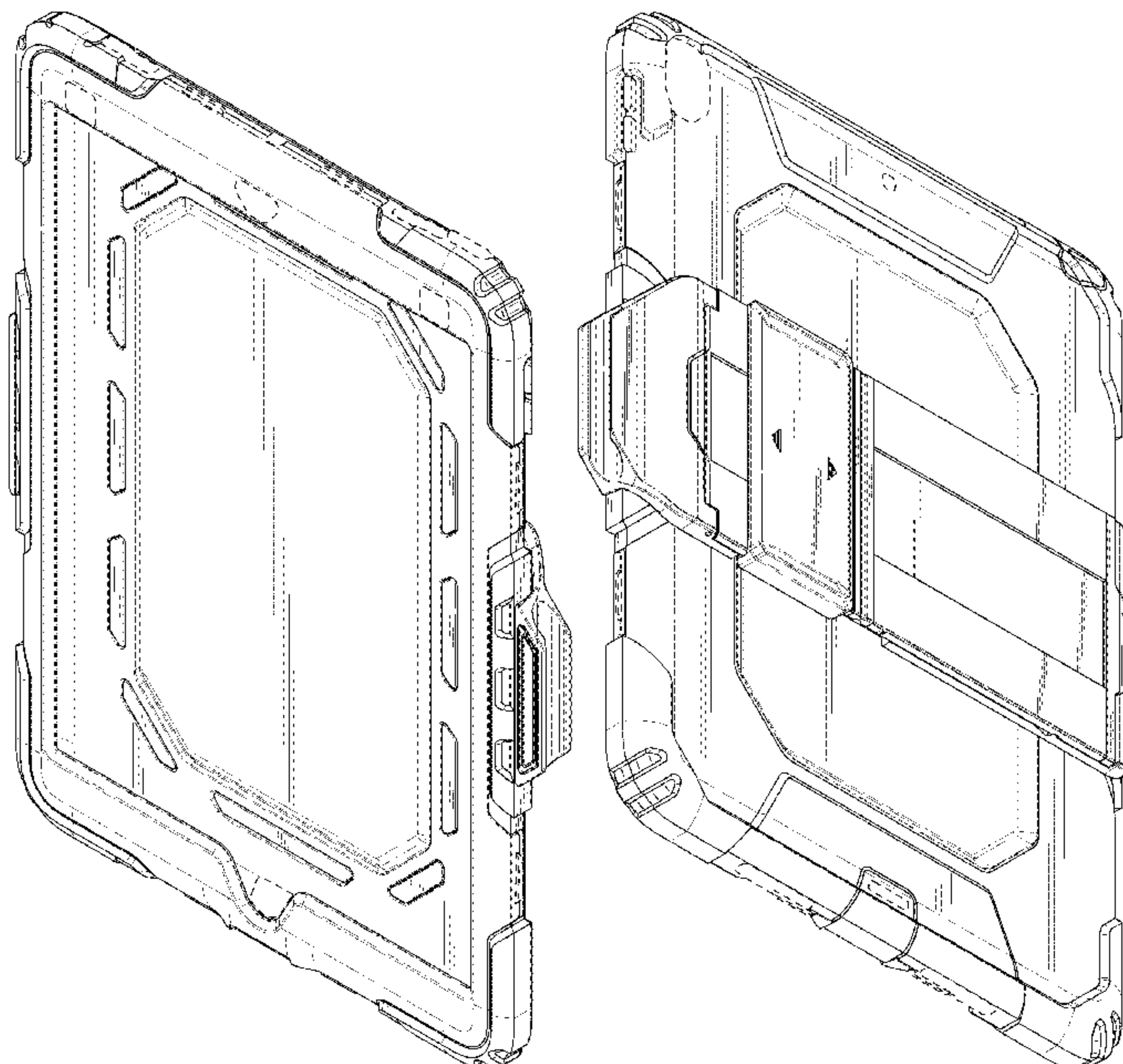
FIG. 7 is a right side view thereof.

FIG. 8 is a top end view thereof; and,

FIG. 9 is a bottom end view thereof.

The dash-dash broken lines indicate portions of the case that form no part of the claimed design.

1 Claim, 7 Drawing Sheets



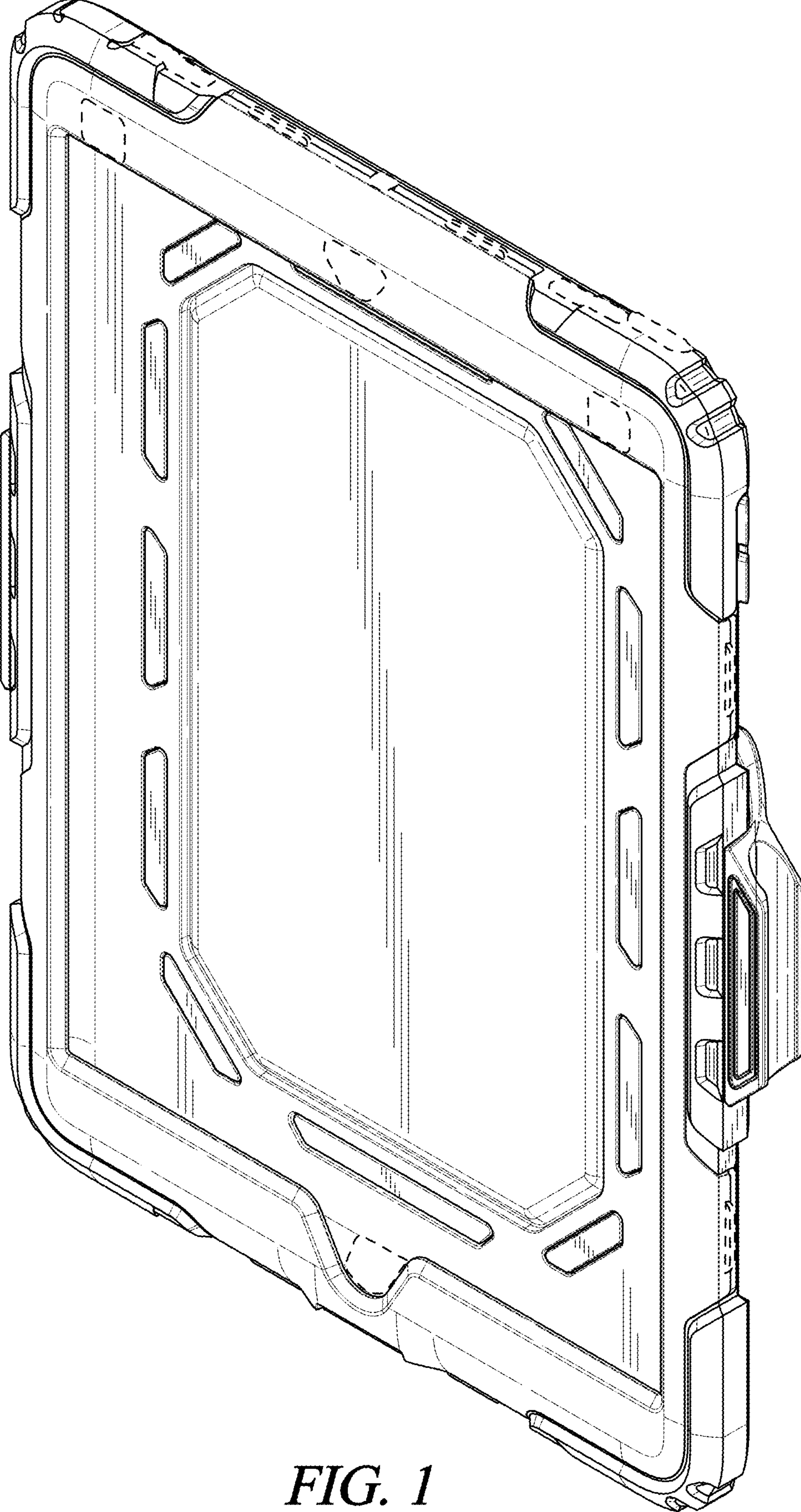


FIG. 1

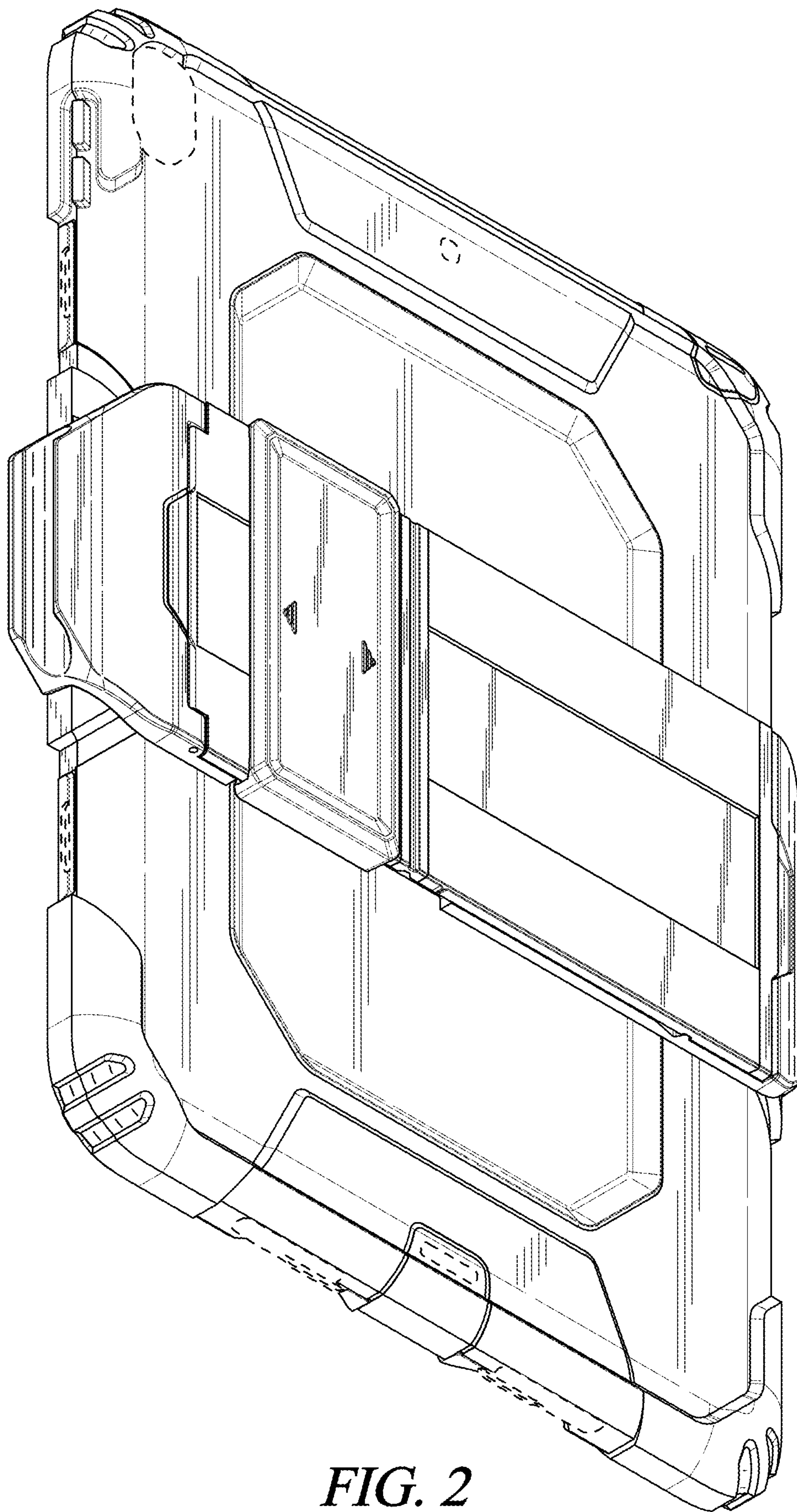


FIG. 2

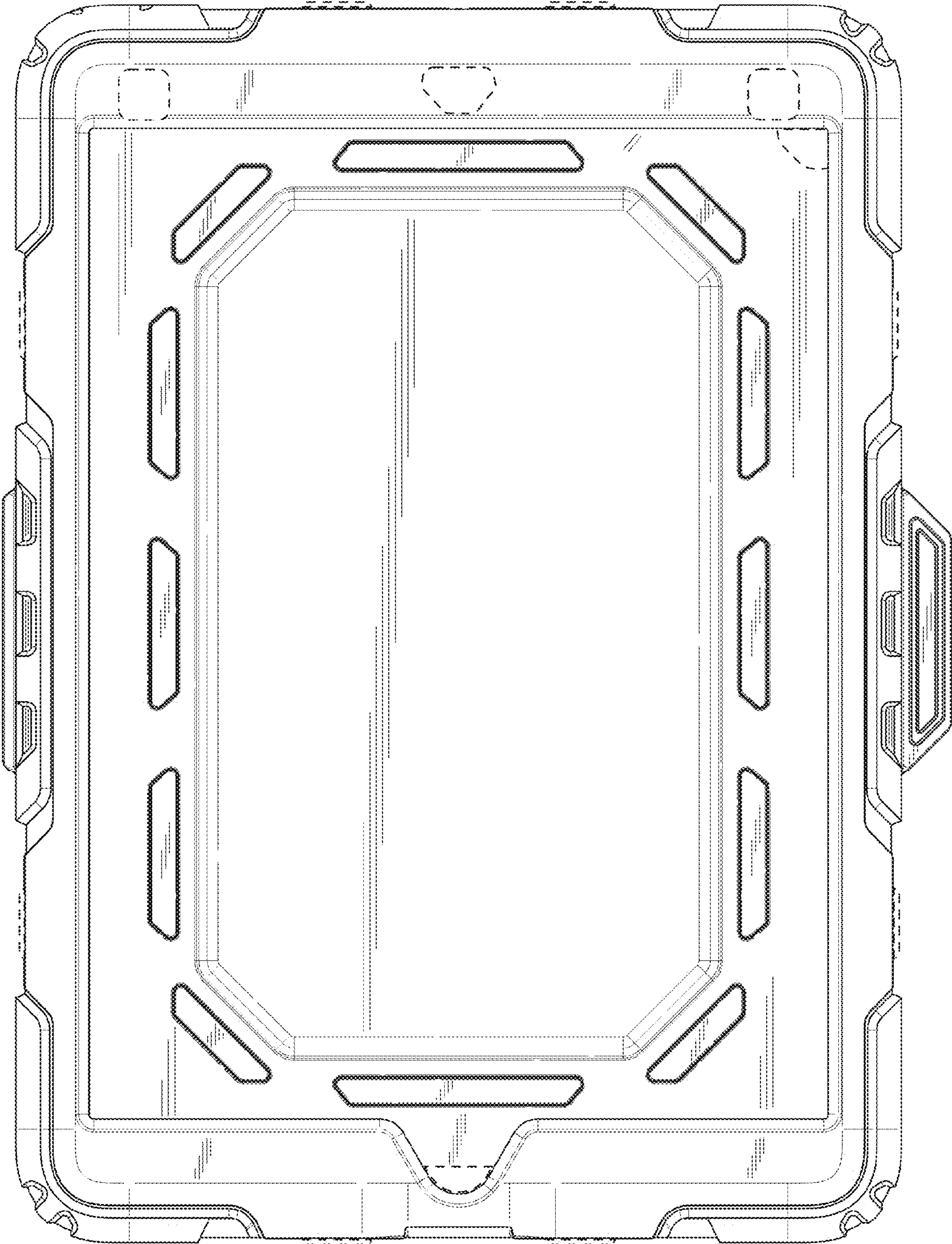


FIG. 3

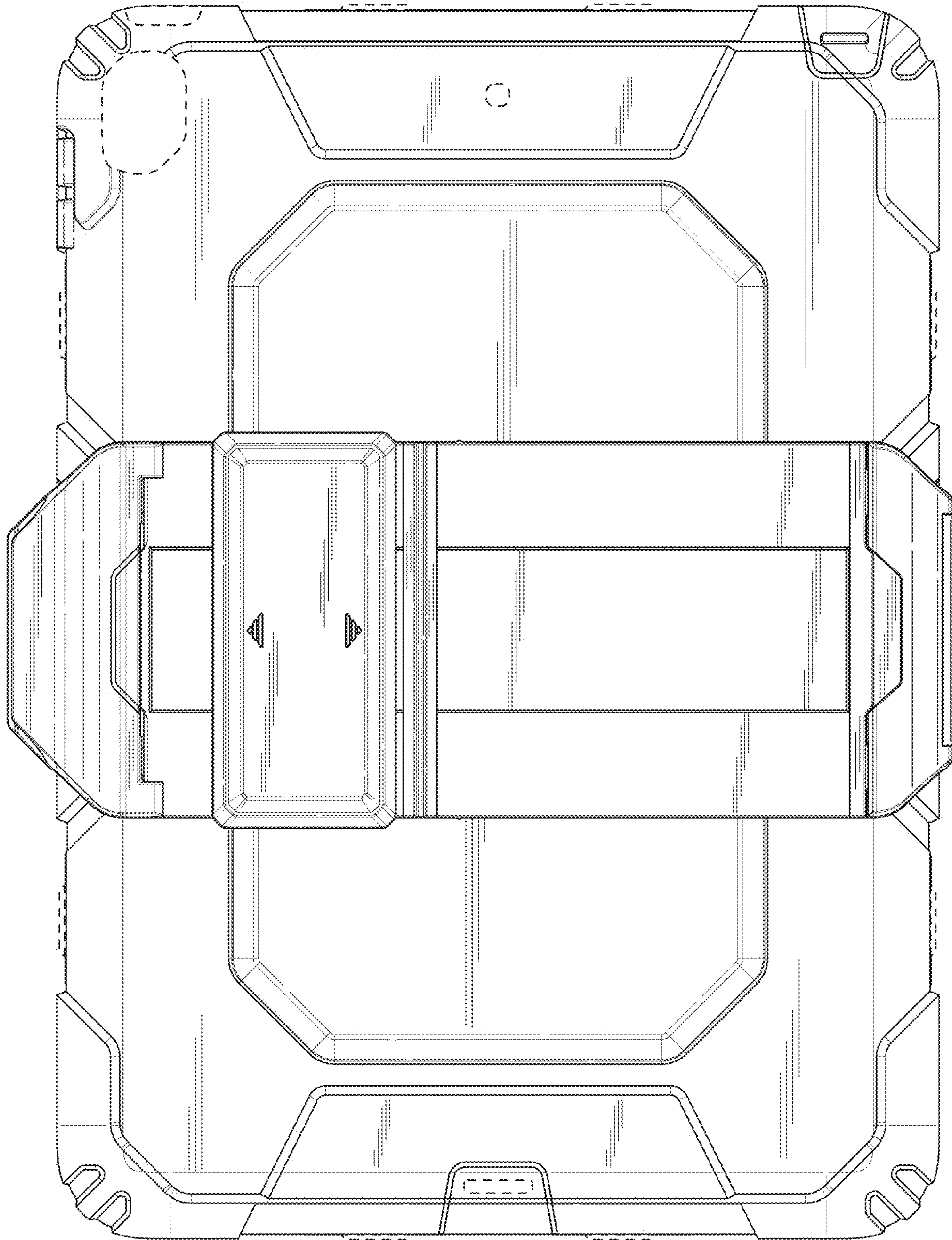


FIG. 4

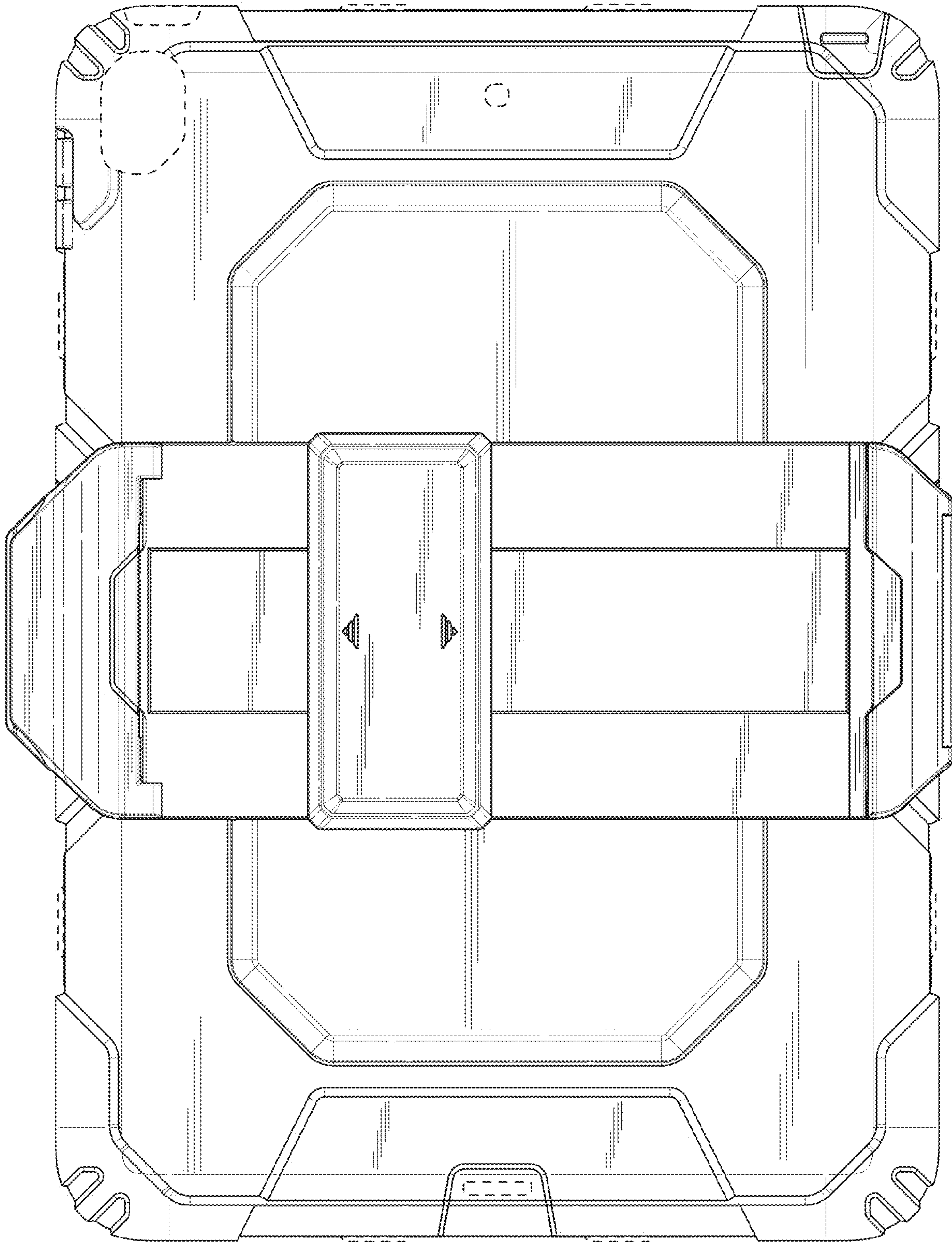


FIG. 5

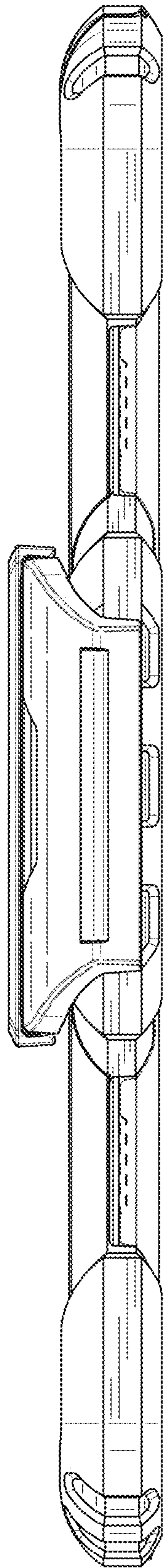


FIG. 6

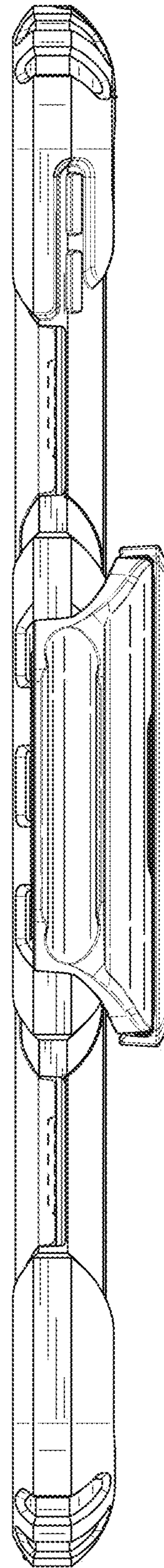


FIG. 7

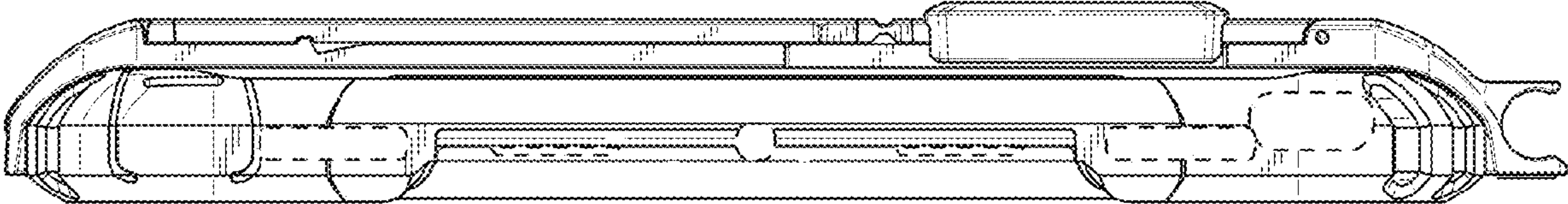


FIG. 8

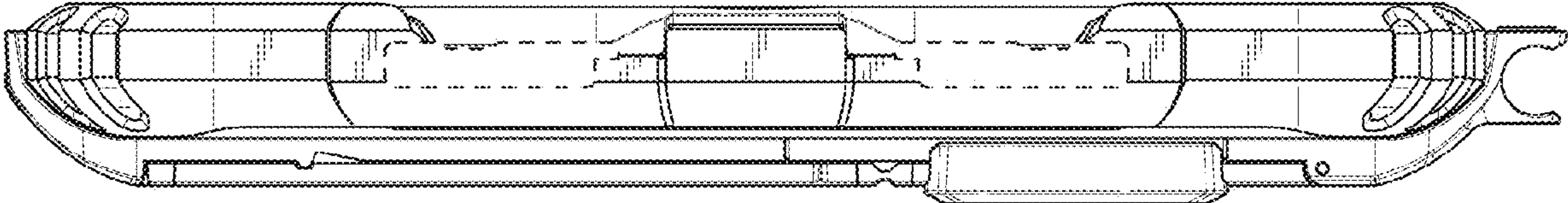


FIG. 9