



US00D874463S

(12) **United States Design Patent** (10) **Patent No.:** **US D874,463 S**
Koujima et al. (45) **Date of Patent:** **** Feb. 4, 2020**

(54) **WIRELESS IC TAG**

(71) Applicants: **TODA KOGYO CORP.**, Hiroshima (JP); **SECURITAG ASSEMBLY GROUP CO., LTD.**, Taichung (TW)

(72) Inventors: **Jun Koujima**, Hiroshima (JP); **Mark Chang**, Taichung (TW); **Yoshiteru Kouno**, Hiroshima (JP); **Peter Yan**, Taichung (TW)

(73) Assignees: **TODA KOGYO CORP.**, Hiroshima (JP); **SECURITAG ASSEMBLY GROUP CO., LTD.**, Taichung (TW)

(**) Term: **15 Years**

(21) Appl. No.: **29/646,730**

(22) Filed: **May 7, 2018**

(30) **Foreign Application Priority Data**

Nov. 7, 2017	(JP)	2017-024866
Nov. 7, 2017	(JP)	2017-024867
Nov. 7, 2017	(JP)	2017-024868
Nov. 7, 2017	(JP)	2017-024869
Nov. 7, 2017	(JP)	2017-024870
Nov. 7, 2017	(JP)	2017-024871
Nov. 7, 2017	(JP)	2017-024872
Nov. 7, 2017	(JP)	2017-024873

(51) **LOC (12) Cl.** **14-02**

(52) **U.S. Cl.**
USPC **D14/437**

(58) **Field of Classification Search**
USPC D16/202, 203, 214, 215; D10/70, 97, D10/103, 104.1, 104.2, 106.1–106.95,
(Continued)

(56) **References Cited**

U.S. PATENT DOCUMENTS

D474,472 S	*	5/2003	Maekawa	D13/182
D597,428 S	*	8/2009	Sato	D10/104.1

(Continued)

Primary Examiner — George D. Kirschbaum

Assistant Examiner — Joseph J Kukella

(74) *Attorney, Agent, or Firm* — Knobbe, Martens, Olson & Bear, LLP

(57) **CLAIM**

The ornamental design for a wireless IC tag, as shown and described.

DESCRIPTION

FIG. 1 is a front elevational view of a first embodiment of a wireless IC tag according to our new design. A rear elevational view thereof is a mirror-image of the front elevational view.

FIG. 2 is a right side elevational view thereof.

FIG. 3 is a left side elevational view thereof.

FIG. 4 is a top plan view thereof.

FIG. 5 is a cross-sectional view thereof, taken in the direction of line 5-5 in FIG. 4.

FIG. 6 is a bottom plan view thereof.

FIG. 7 is a perspective view thereof.

FIG. 8 is a front elevational view of a second embodiment of a wireless IC tag according to our new design. A rear elevational view thereof is a mirror-image of the front elevational view.

FIG. 9 is a right side elevational view thereof.

FIG. 10 is a left side elevational view thereof.

FIG. 11 is a top plan view thereof.

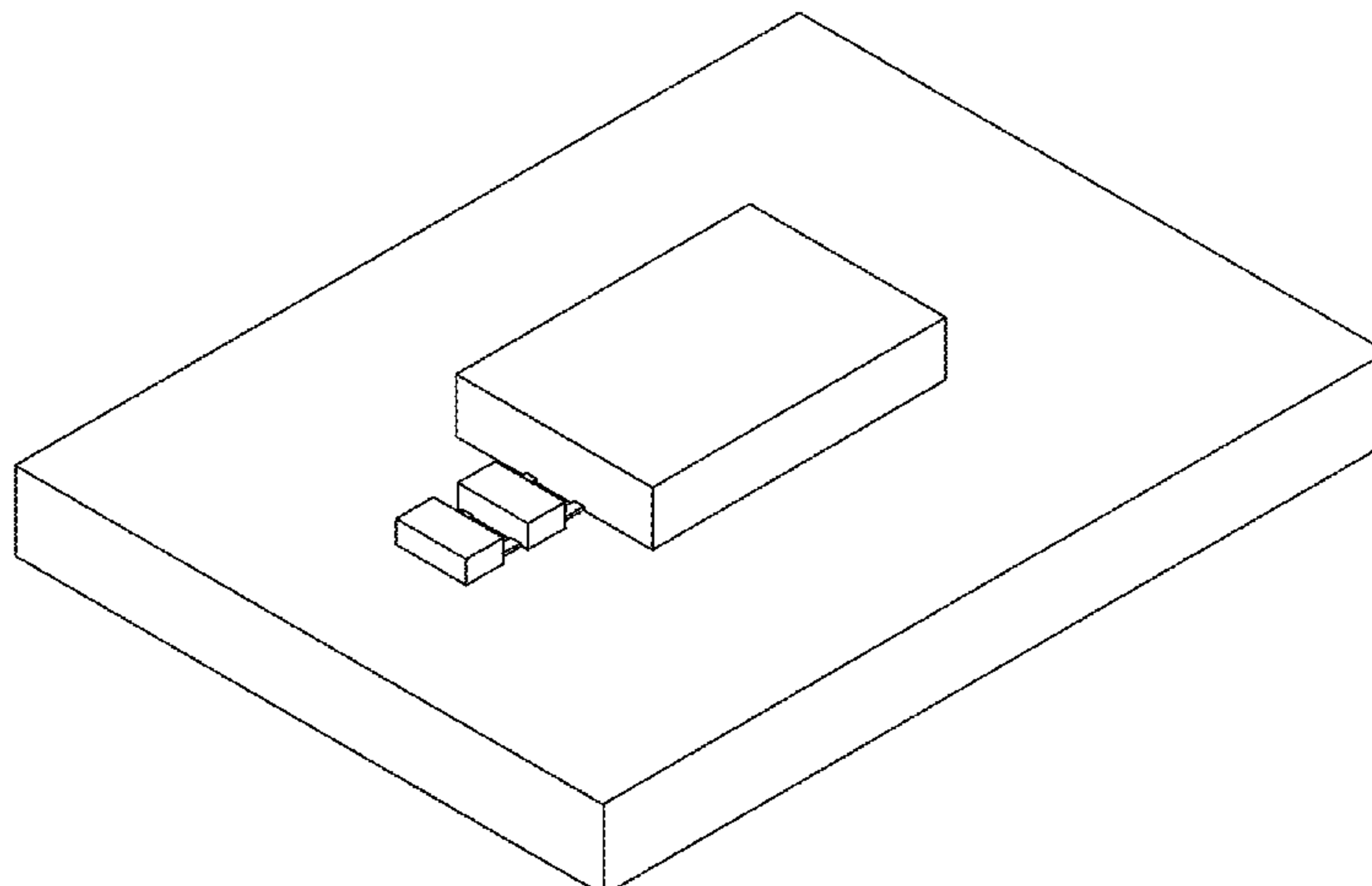
FIG. 12 is a cross-sectional view thereof, taken in the direction of line 12-12 in FIG. 11.

FIG. 13 is a bottom plan view thereof; and,

FIG. 14 is a perspective view thereof.

The broken lines shown in FIG. 4, and FIG. 11 indicate planes upon which the sectional views in FIG. 5, and FIG. 12, respectively, are taken and form no part of the claimed design.

1 Claim, 6 Drawing Sheets



(58) **Field of Classification Search**

USPC D10/108, 121, 123, 124, 125, 126, 132;
D14/435, 437
CPC G08B 17/00; G08B 17/06; G08B 17/10;
G08B 17/11; G08B 17/12; G08B 17/103;
G08B 17/107; G08B 21/02; G08B
21/0202; G08B 21/0205; H04N 5/2251;
H04N 5/2252; H04N 5/2253; H04N
5/2254

See application file for complete search history.

(56) **References Cited**

U.S. PATENT DOCUMENTS

D686,931	S	*	7/2013	Kaufman	D10/106.8
D686,932	S	*	7/2013	Kaufman	D10/106.8
D709,397	S	*	7/2014	Ennabli	D10/106.9
D760,230	S	*	6/2016	Iizuka	D13/184
D767,571	S	*	9/2016	Iizuka	D13/184
D794,034	S	*	8/2017	Bang	D14/435
D794,641	S	*	8/2017	Bang	D14/435
D794,642	S	*	8/2017	Bang	D14/435
D794,643	S	*	8/2017	Bang	D14/435
D794,644	S	*	8/2017	Bang	D14/435
D795,261	S	*	8/2017	Bang	D14/435
D795,262	S	*	8/2017	Bang	D14/435
D806,044	S	*	12/2017	Iizuka	D13/182
D838,201	S	*	1/2019	Laird	D10/104.1
D839,272	S	*	1/2019	Seo	D14/435
D848,296	S	*	5/2019	Laird	D10/104.1
D855,617	S	*	8/2019	Williams	D14/436

* cited by examiner



FIG. 1

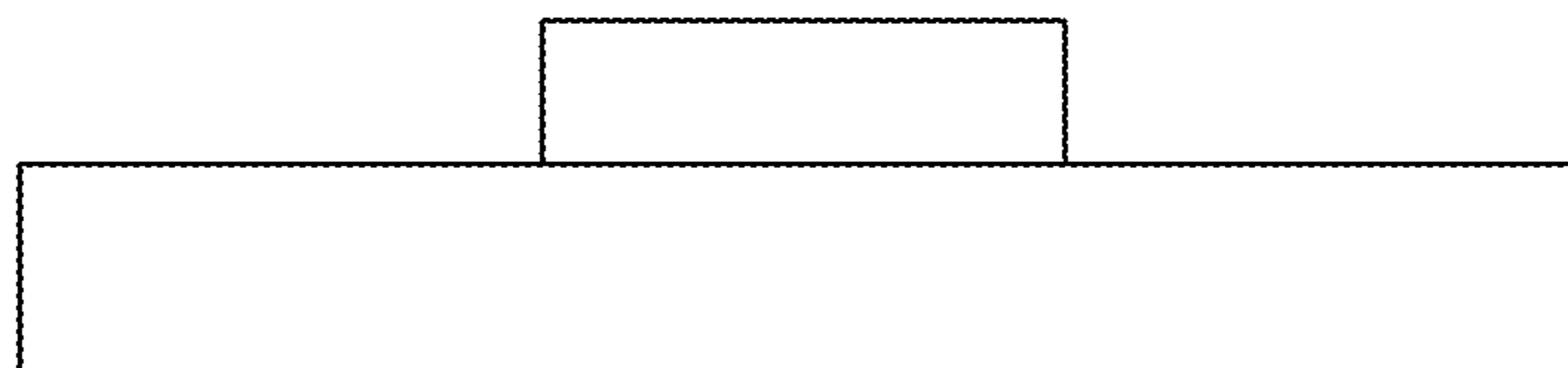


FIG. 2

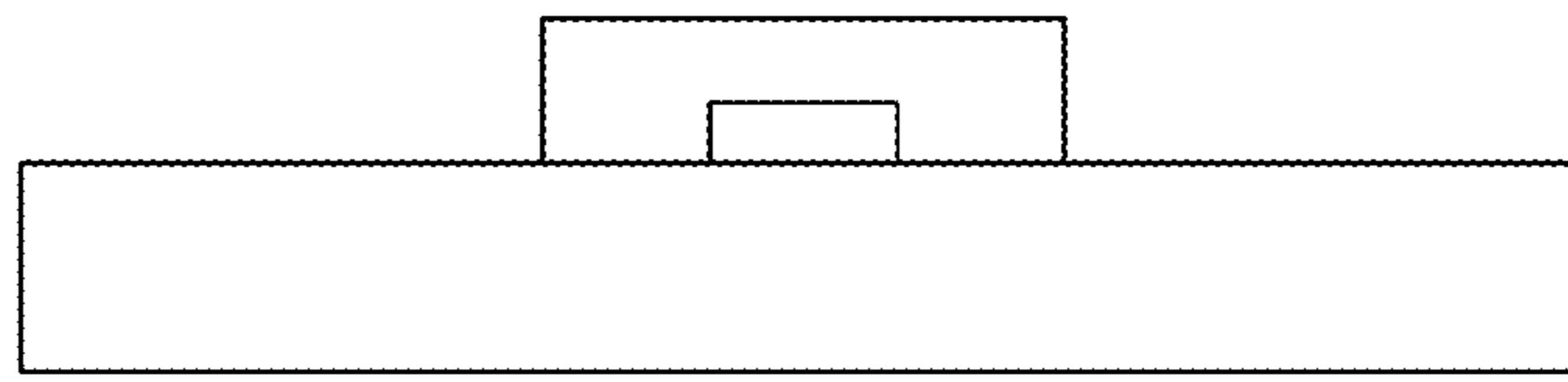


FIG. 3

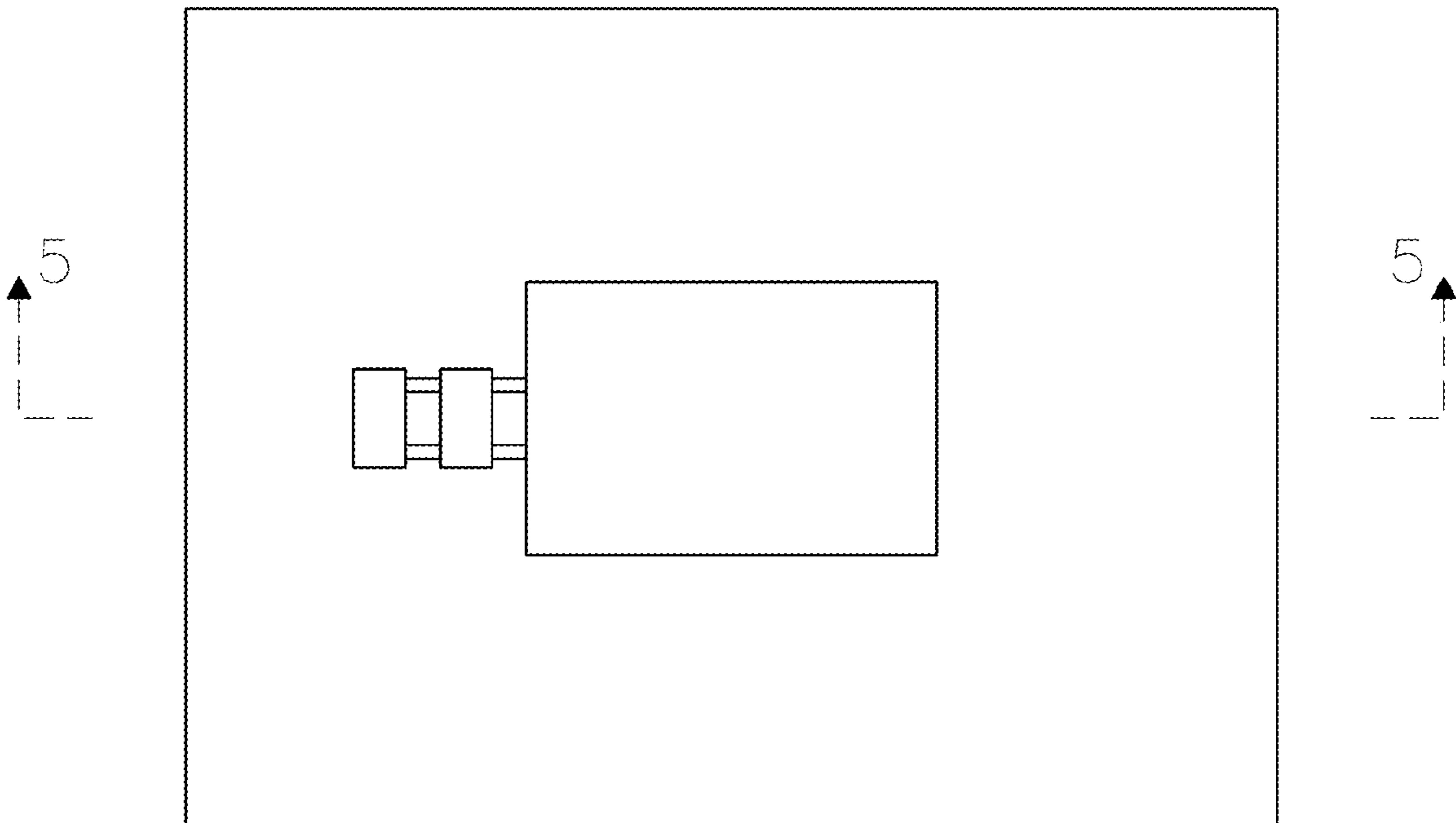


FIG. 4

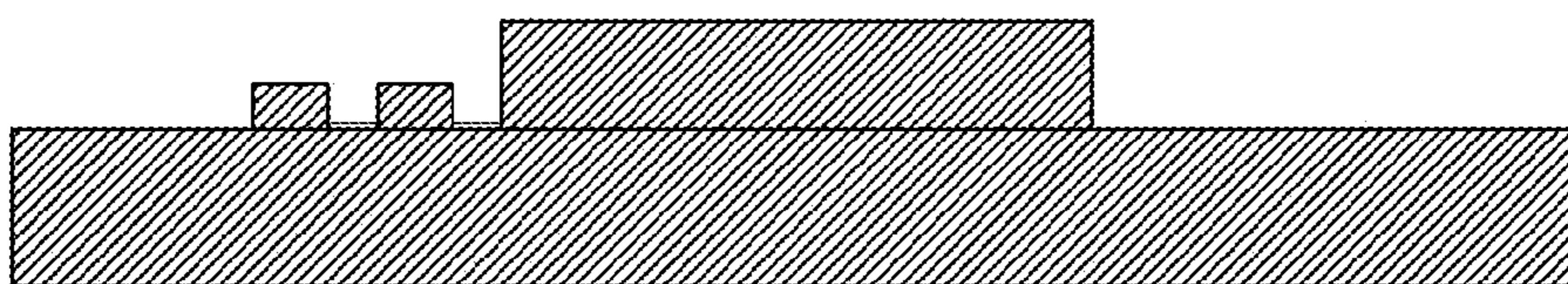


FIG. 5

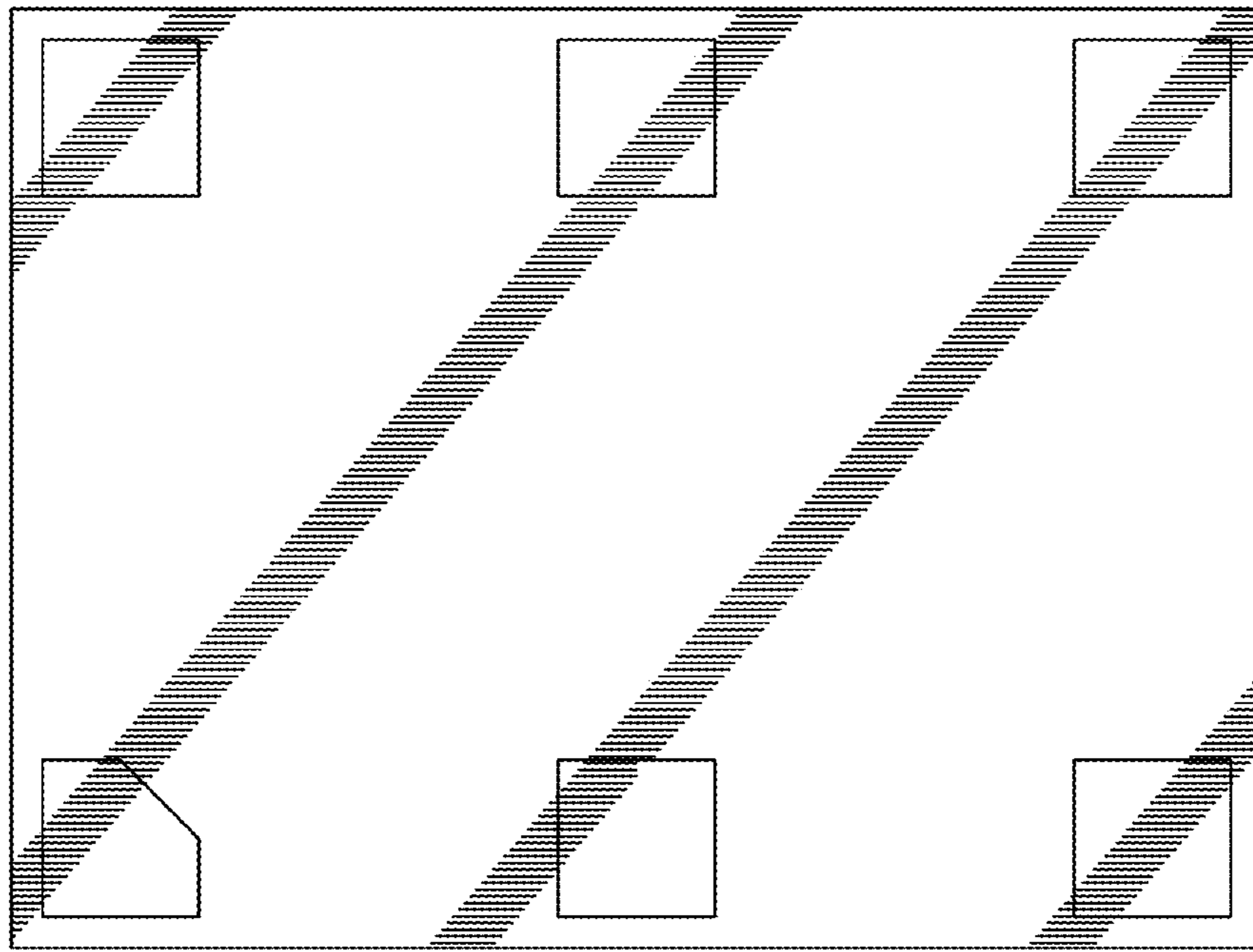


FIG. 6

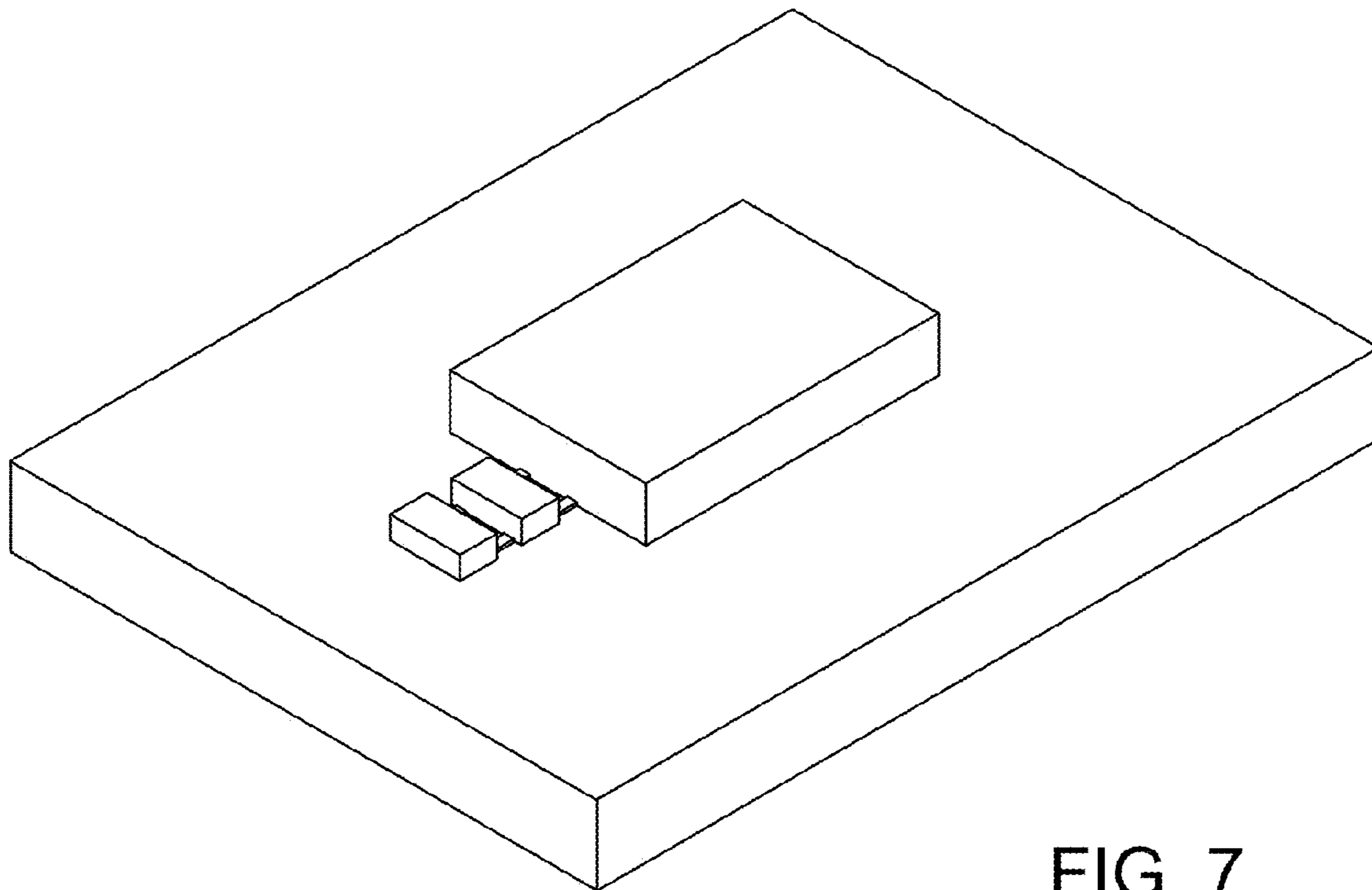


FIG. 7

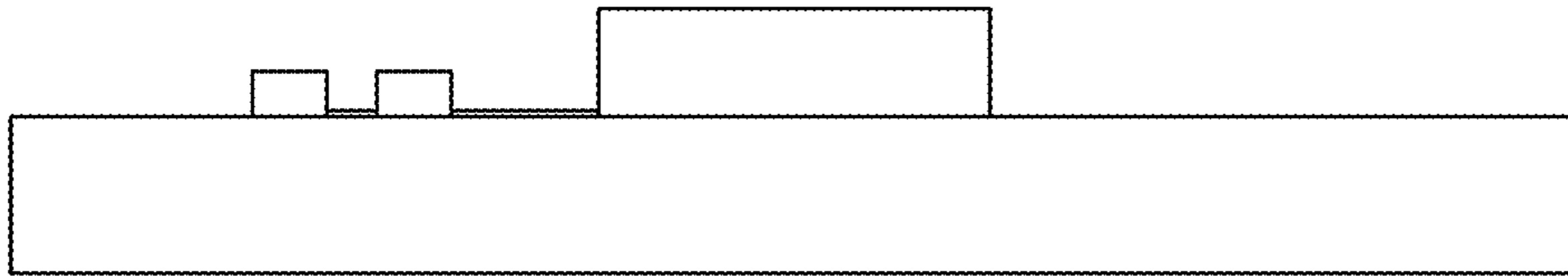


FIG. 8

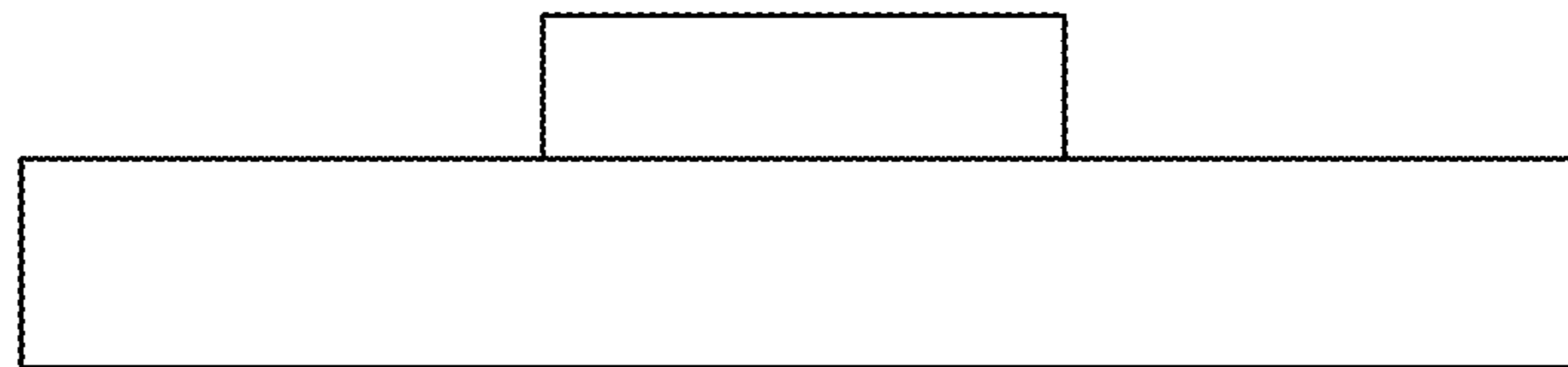


FIG. 9

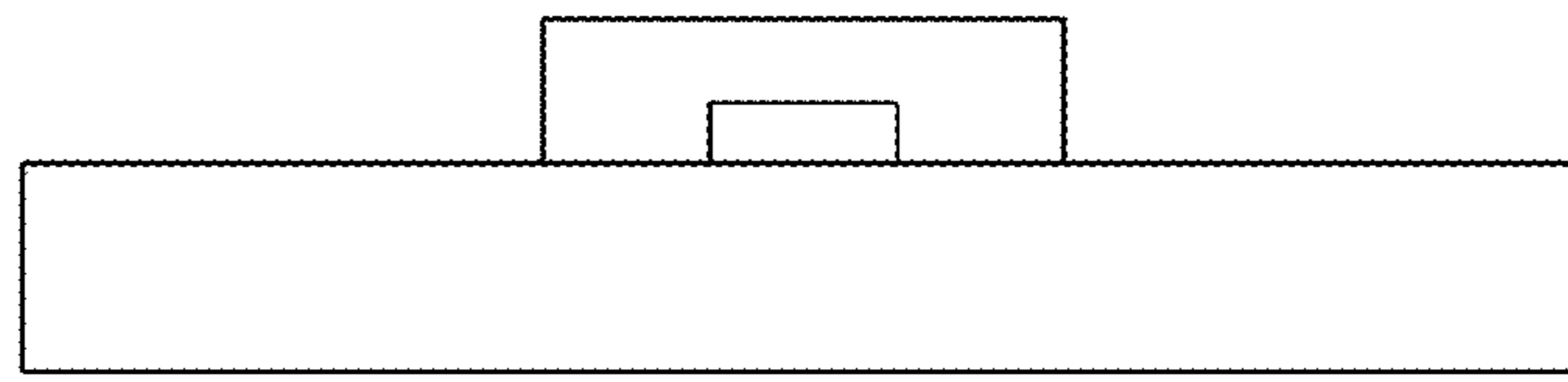


FIG. 10

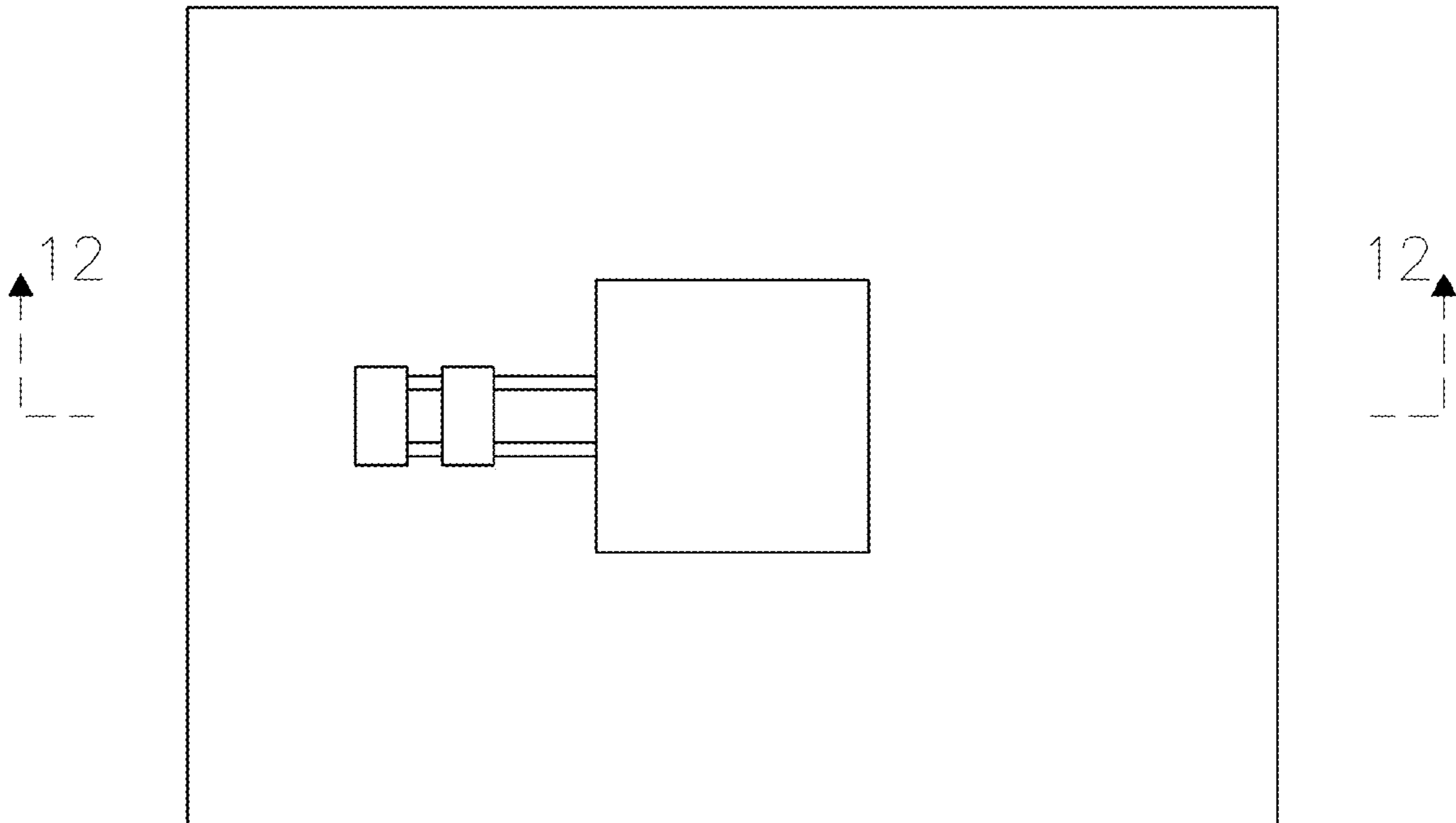


FIG. 11

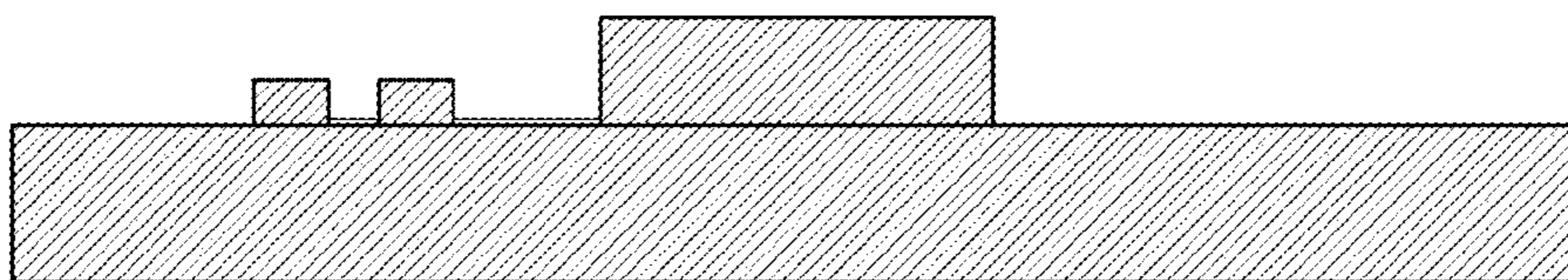


FIG. 12

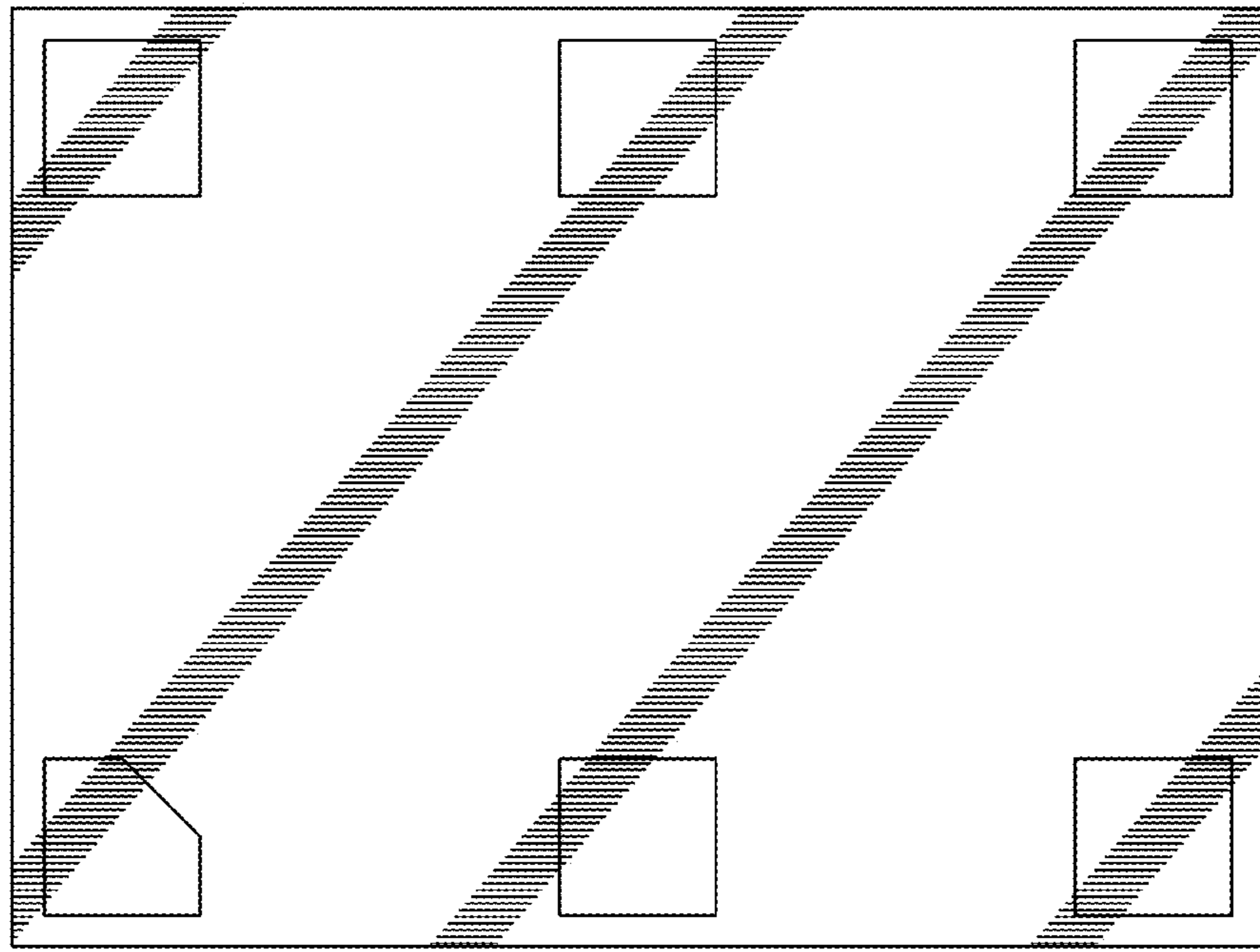


FIG. 13

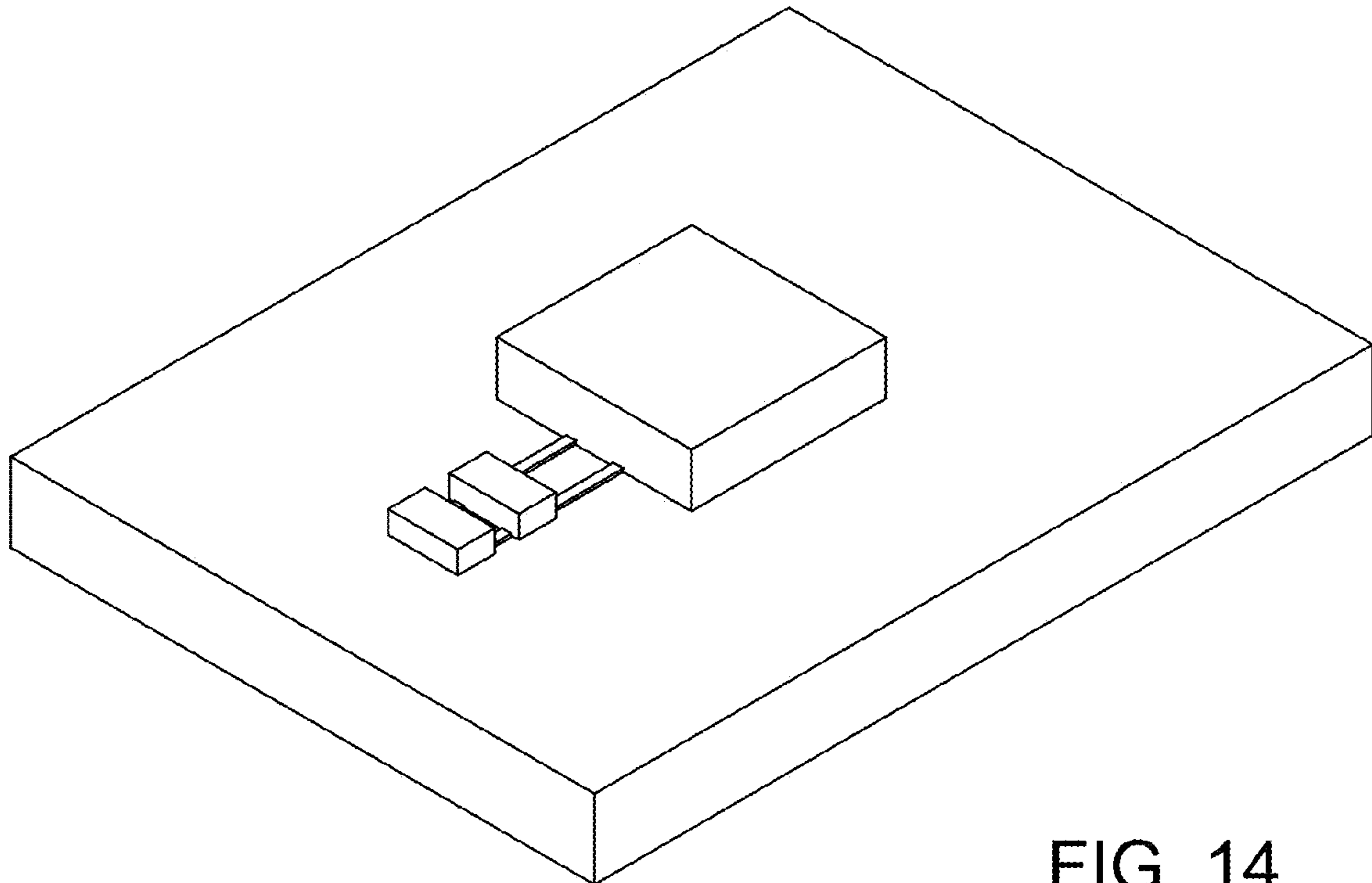


FIG. 14