



US00D874462S

(12) **United States Design Patent** (10) **Patent No.:** **US D874,462 S**
Chin (45) **Date of Patent:** **** Feb. 4, 2020**

(54) **USB ADAPTER APPARATUS**

(71) Applicant: **Kien Hoe Daniel Chin**, Fremont, CA (US)

(72) Inventor: **Kien Hoe Daniel Chin**, Fremont, CA (US)

(**) Term: **15 Years**

(21) Appl. No.: **29/710,504**

(22) Filed: **Oct. 23, 2019**

Related U.S. Application Data

(63) Continuation of application No. 29/668,987, filed on Nov. 4, 2018.

(51) **LOC (12) Cl.** **14-02**

(52) **U.S. Cl.**
USPC **D14/433**

(58) **Field of Classification Search**
USPC D14/240, 242, 356, 358, 363, 365, 367, D14/370, 432-437, 439, 498, 125, 366, D14/168, 496; D13/147, 164, 123, 133, D13/146, 110, 199, 103, 162, 159, 160, D13/184; 361/683, 684, 686, 724, 735, 361/737, 752; D18/40

CPC H01R 25/006; H01R 27/02; H01R 31/005; G06F 13/4022; G06F 13/382; G06F 1/1632; G06F 1/1684; G06F 1/20; G06F 1/1607

See application file for complete search history.

(56) **References Cited**

U.S. PATENT DOCUMENTS

D477,603 S	7/2003	Chen
D484,136 S	12/2003	Ivan et al.
6,722,917 B2	4/2004	Huang
D490,404 S	5/2004	Chan

6,733,329 B2	5/2004	Yang
6,874,907 B2	4/2005	Liao
6,979,210 B2	12/2005	Regen et al.
7,140,919 B2	1/2006	Yu
D516,074 S	2/2006	Ho et al.
7,090,515 B2	4/2006	Regen et al.
7,052,287 B1	5/2006	Ni et al.
7,070,425 B2	7/2006	Regen et al.
7,074,052 B1	7/2006	Ni et al.
D530,717 S	10/2006	Mori et al.
7,165,998 B2	1/2007	Lee
7,171,502 B2	1/2007	Jeon et al.
D537,036 S	2/2007	Chen
7,252,518 B1	8/2007	Ni
D559,848 S	1/2008	Siu
D559,849 S	1/2008	Siu
D570,845 S	6/2008	Liu et al.
D570,846 S	6/2008	Liu et al.
D571,372 S	6/2008	Brefka et al.
7,407,390 B1	8/2008	Ni
D576,166 S	9/2008	Mori et al.
7,428,605 B2	9/2008	Ni et al.
7,458,825 B2	12/2008	Atsmon et al.

(Continued)

Primary Examiner — Austin Murphy

(74) *Attorney, Agent, or Firm* — Alexander Chen, Esq.

(57) **CLAIM**

The ornamental design for an USB adapter apparatus, as shown and described.

DESCRIPTION

FIG. 1 is a perspective back view of an USB adapter apparatus;

FIG. 2 is a perspective front view thereof;

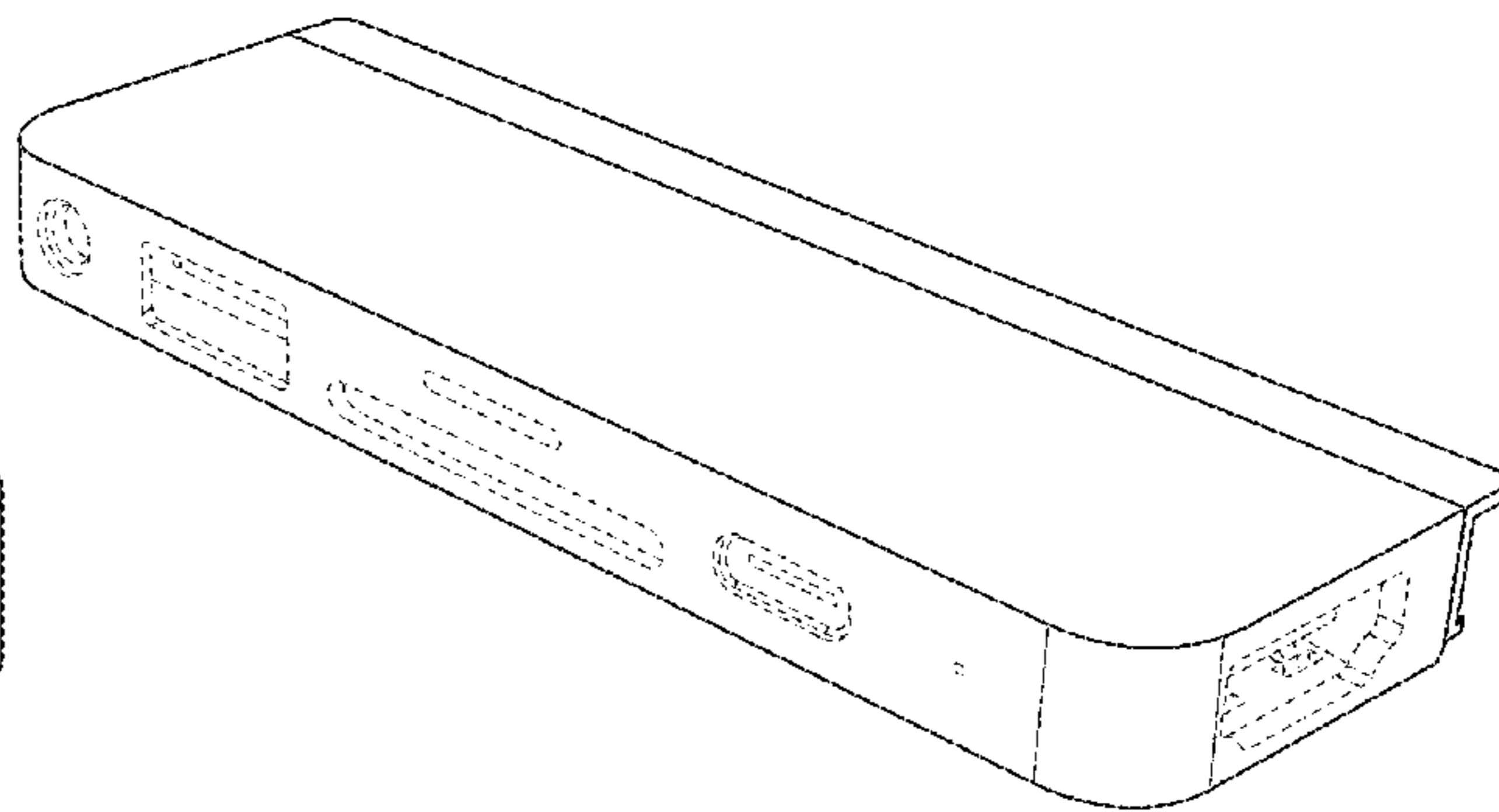
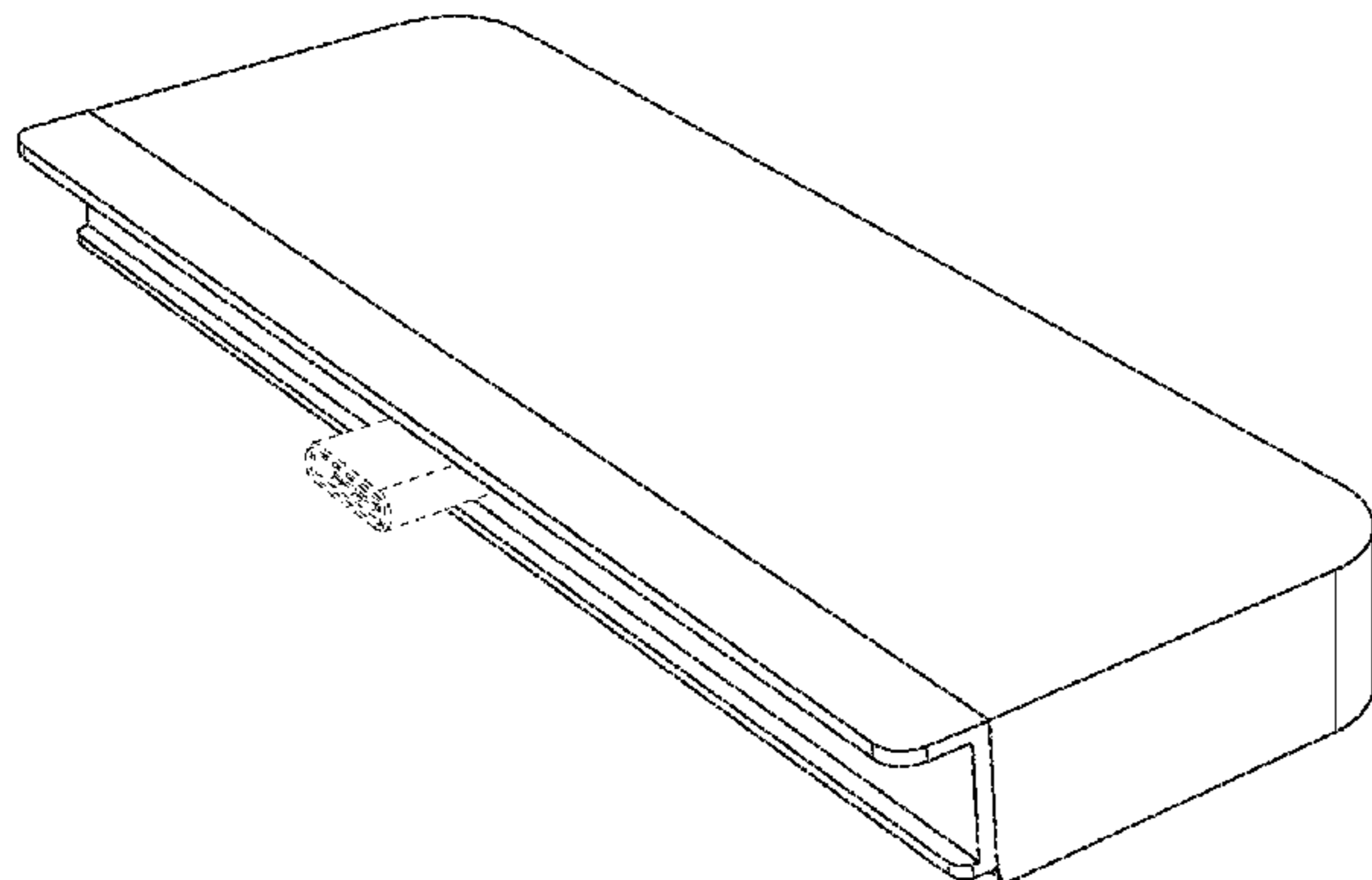
FIG. 3 is a partially exploded back view thereof; and,

FIG. 4 is a side view thereof.

The broken lines are included to show environmental structure and form no part of the claimed design. The drawings and descriptions represent the left side of the embodiment.

The claim is also for a mirror image right side thereof.

1 Claim, 3 Drawing Sheets



(56)

References Cited

U.S. PATENT DOCUMENTS

7,470,148	B1	12/2008	Su et al.	8,900,016	B2	10/2014	Chan
7,479,042	B2	1/2009	Chen	8,900,017	B2	10/2014	Chan
D586,347	S	2/2009	Cheng	D717,305	S	11/2014	Alesi et al.
7,507,119	B2	3/2009	Ni et al.	8,900,013	B2	12/2014	Li et al.
7,565,467	B2	7/2009	Nagase	8,961,206	B1	2/2015	Chen et al.
7,575,481	B1	8/2009	Liu	D728,467	S	5/2015	Hasbrook
D599,346	S	9/2009	Thia et al.	D732,536	S	6/2015	Kang et al.
D599,800	S	9/2009	Klein	9,112,315	B2	8/2015	Chang
7,771,234	B2	1/2010	Chuang	D737,825	S	9/2015	Kumar et al.
7,802,997	B2	1/2010	Kuo	D740,291	S	10/2015	Turksu
7,748,995	B1	7/2010	Lee	9,153,926	B2	10/2015	Wu
7,761,627	B2	7/2010	Christison et al.	D746,290	S	12/2015	Spinella
D624,548	S	9/2010	Yamamoto	D747,722	S	1/2016	Webb
7,798,853	B2	9/2010	Shi et al.	D750,083	S *	2/2016	Chow D14/434
7,824,186	B2	9/2010	Zhao et al.	D753,662	S	4/2016	Arrington
7,815,469	B1	10/2010	Nguyen et al.	9,413,126	B2	8/2016	Pocrass
D627,784	S	11/2010	Yamamoto	9,462,705	B2	10/2016	Miller
7,824,227	B1	11/2010	Lee et al.	D772,879	S	11/2016	Eliyahu
7,828,599	B2	11/2010	Zhao et al.	9,559,454	B2	1/2017	Wang
7,833,056	B1	11/2010	Lee et al.	9,577,392	B2	2/2017	Chang
D629,002	S	12/2010	Bau	D782,485	S	3/2017	Cai
D629,805	S	12/2010	Nysen et al.	D783,619	S	4/2017	Couture et al.
D629,806	S	12/2010	Ho et al.	D784,338	S	4/2017	Lee et al.
7,862,377	B2	1/2011	Shiu et al.	D785,632	S	5/2017	Vanduynd
8,075,318	B2	2/2011	Zhao et al.	D786,874	S	5/2017	Eliyahu
7,927,145	B1	4/2011	Chang	D788,777	S	6/2017	Bargetzi
8,062,067	B2	4/2011	Shiu et al.	9,715,472	B2	7/2017	Chang
7,942,691	B1	5/2011	McSweyn	D793,397	S	8/2017	Eliyahu
7,946,891	B2	5/2011	Peiker	D793,398	S	8/2017	Feldstein
7,985,082	B2	7/2011	Sun	D793,399	S	8/2017	Feldstein et al.
8,235,746	B2	1/2012	He	D794,028	S	8/2017	Lin
8,135,883	B2	3/2012	Monks et al.	D794,029	S	8/2017	Lin
8,172,585	B2	5/2012	Chiu et al.	D796,513	S	9/2017	Feldstein et al.
8,192,211	B1	6/2012	Huang	D800,730	S *	10/2017	Liao D14/433
8,194,408	B2	6/2012	Chou et al.	D800,731	S	10/2017	He
8,206,163	B2	6/2012	Zhao et al.	9,837,766	B1	12/2017	Cheng
D664,146	S	7/2012	Hoehn et al.	D807,290	S *	1/2018	Liao D13/110
8,262,416	B2	9/2012	Nguyen et al.	D808,392	S	1/2018	Bo
D670,290	S	11/2012	Dalton	D813,875	S *	3/2018	Liao D14/434
D670,291	S	11/2012	Dalton	9,979,147	B1	5/2018	Huang
8,366,490	B2	2/2013	Wu	D820,264	S	6/2018	Lai et al.
8,366,491	B2	2/2013	Wu	D826,942	S	8/2018	Lu
D678,285	S	3/2013	Chen	D828,355	S *	9/2018	Xie D14/433
D678,286	S	3/2013	Cheng	D828,839	S *	9/2018	Zhang D14/433
8,403,706	B2	3/2013	Wu	D828,840	S	9/2018	Zhang
8,430,690	B2	3/2013	Su et al.	D828,841	S *	9/2018	Zhang D14/433
8,414,331	B2	4/2013	Chang	D830,366	S *	10/2018	Turksu D14/433
8,444,423	B2	5/2013	Nguyen et al.	D832,260	S	10/2018	Hutton et al.
8,480,435	B2	7/2013	Hsiao et al.	D832,848	S	11/2018	Chan et al.
8,480,436	B2	7/2013	Chang	D833,444	S	11/2018	Chan et al.
8,500,463	B2	8/2013	Tsai et al.	D838,241	S *	1/2019	Xie D13/108
D689,858	S *	9/2013	Lo D14/357	10,181,686	B1	1/2019	Patel et al.
8,540,533	B2	9/2013	Zhao et al.	D839,876	S *	2/2019	Turksu D14/435.1
D691,139	S	10/2013	Koefoed	D841,009	S	2/2019	Yu
D691,140	S	10/2013	Huang	D841,653	S	2/2019	Lin
8,545,269	B2	10/2013	Ore-Yang	D847,139	S *	4/2019	Wang D14/433
8,721,370	B2	5/2014	Liu et al.	D854,019	S *	7/2019	Liao D14/434
8,734,182	B2	5/2014	Peng et al.	D854,020	S *	7/2019	Liao D14/434
8,758,031	B2	6/2014	Cheng et al.	D854,544	S *	7/2019	Liao D14/434
8,870,601	B2	6/2014	Lee	D855,054	S *	7/2019	Turksu D14/433
D709,891	S	7/2014	Alesi et al.	D841,654	S	8/2019	Chin
D709,892	S	7/2014	Lui	D855,616	S *	8/2019	Chin D14/433
D711,884	S	8/2014	Turksu et al.	D855,055	S	10/2019	Liu
D714,293	S	9/2014	Kelly et al.	D861,694	S	10/2019	Huang
D715,797	S	10/2014	Hiraga	D862,473	S	10/2019	Wang
D716,309	S	10/2014	Krenkler	D862,474	S	10/2019	Wang
				D863,310	S	10/2019	Duan

* cited by examiner

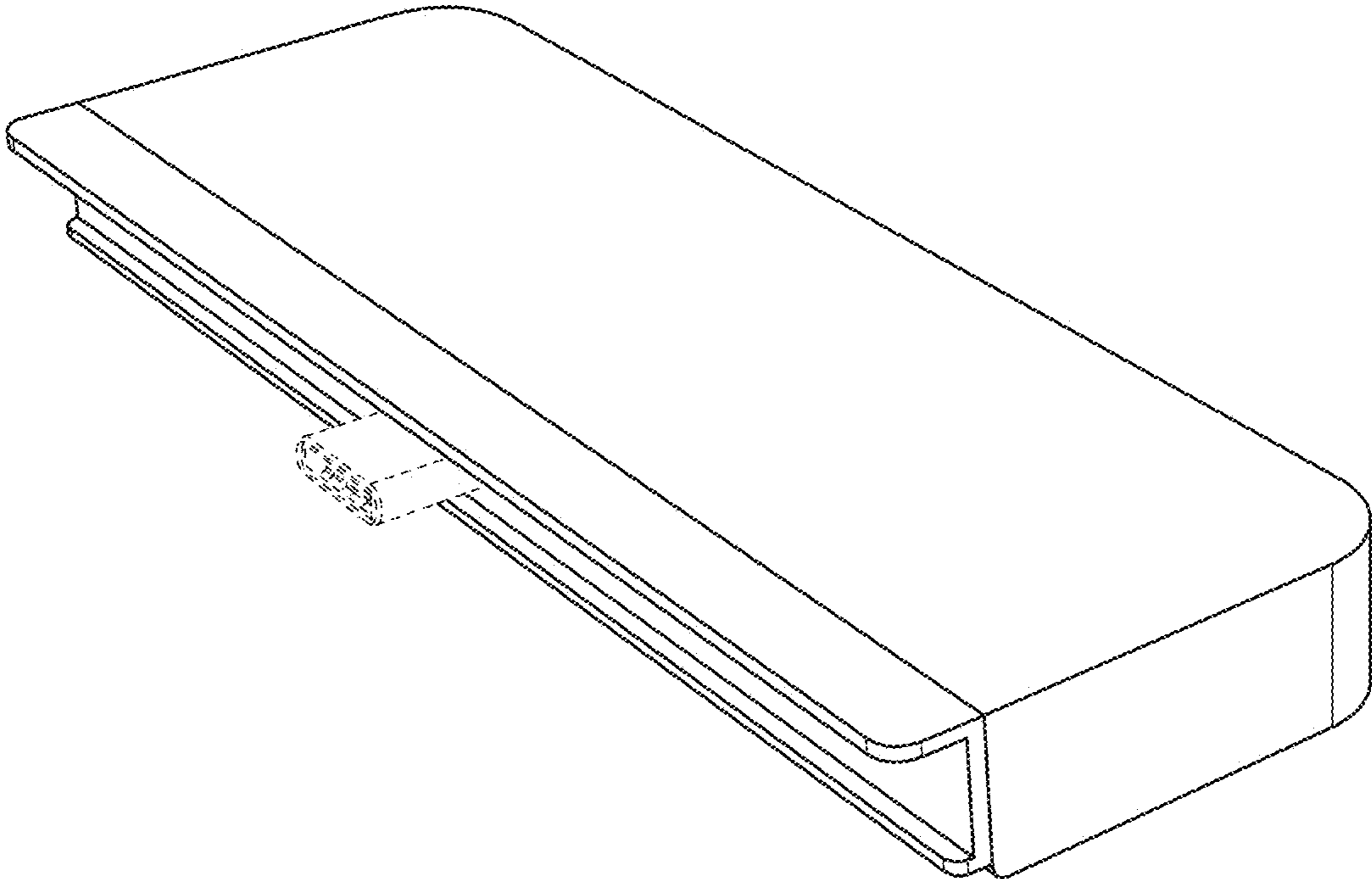


FIG. 1

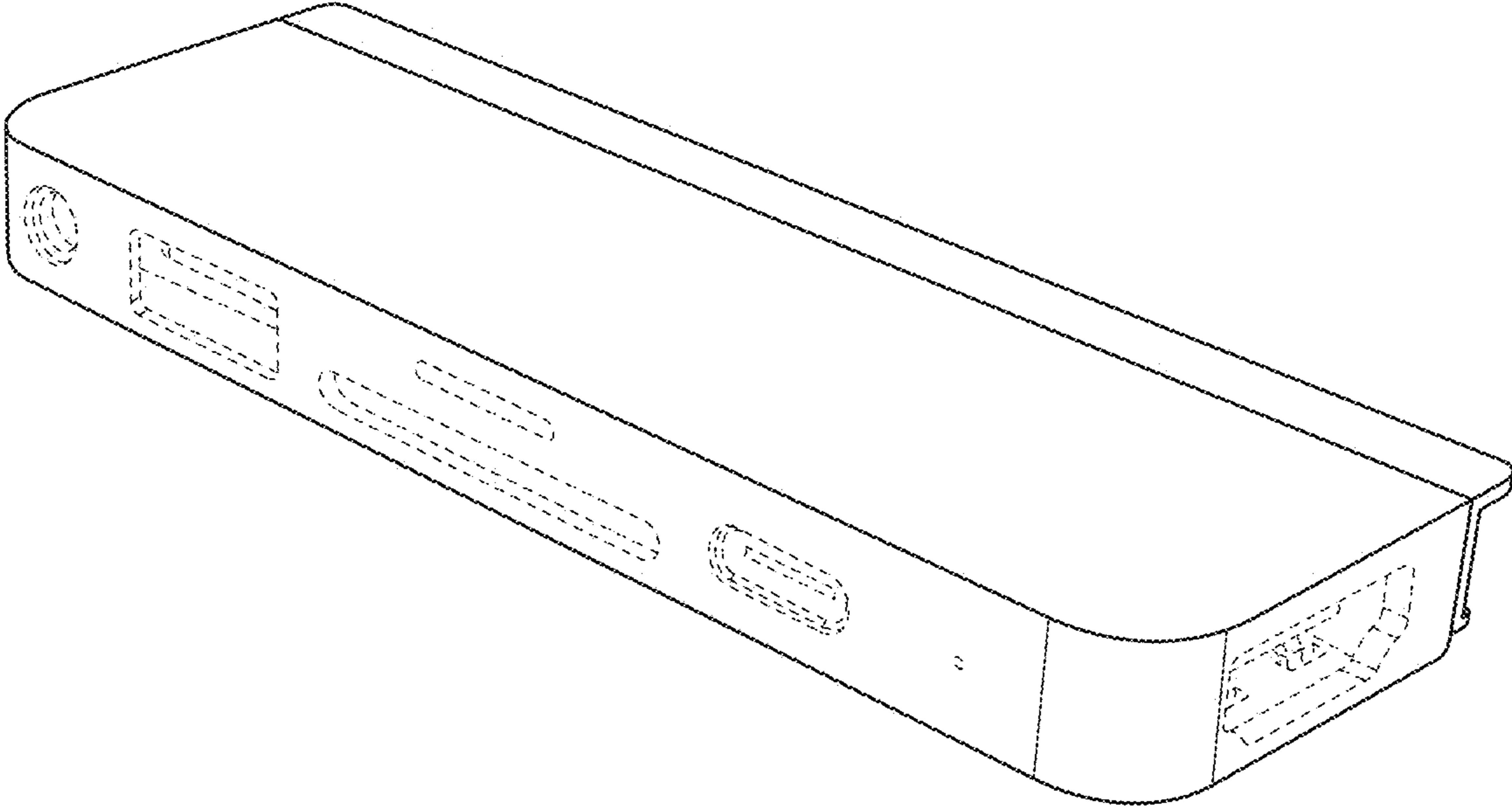


FIG. 2

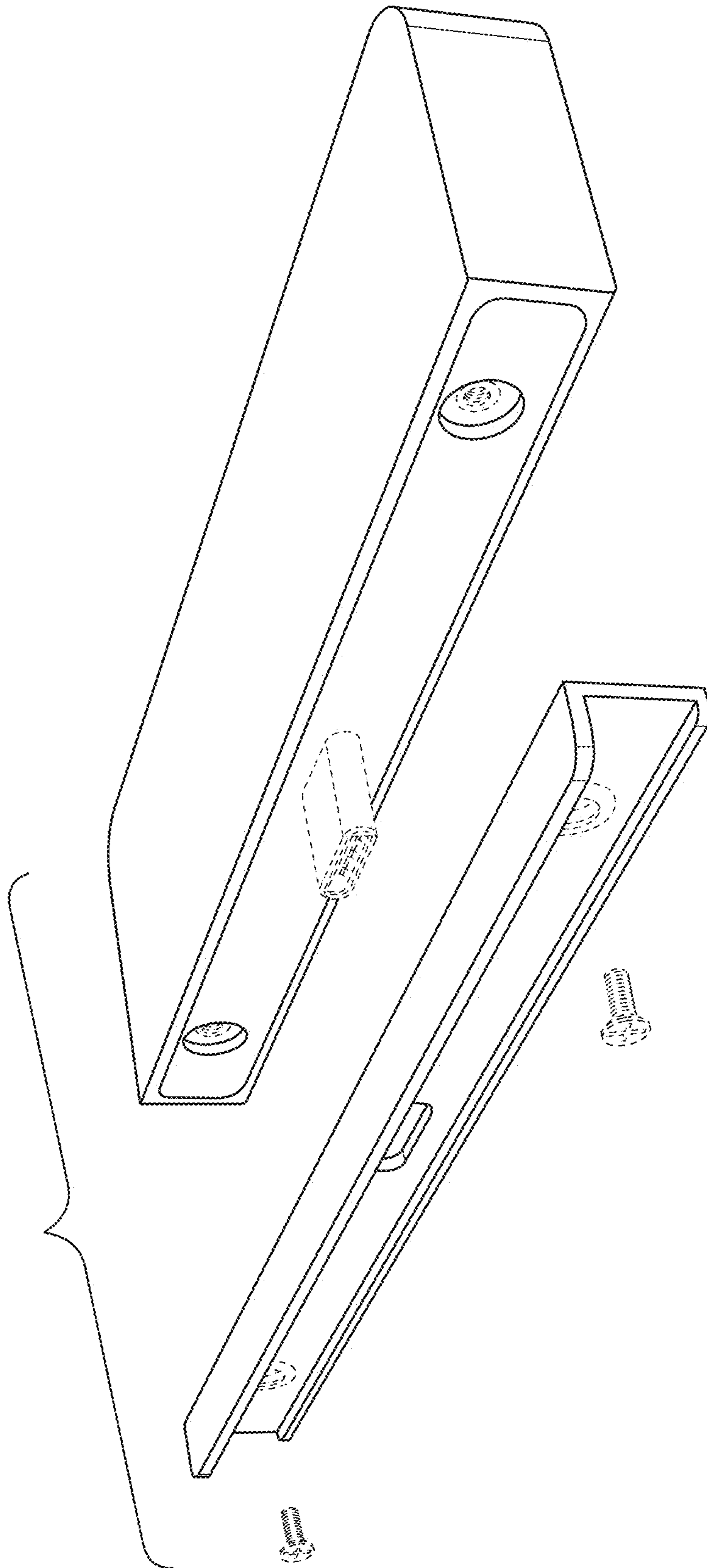


FIG. 3

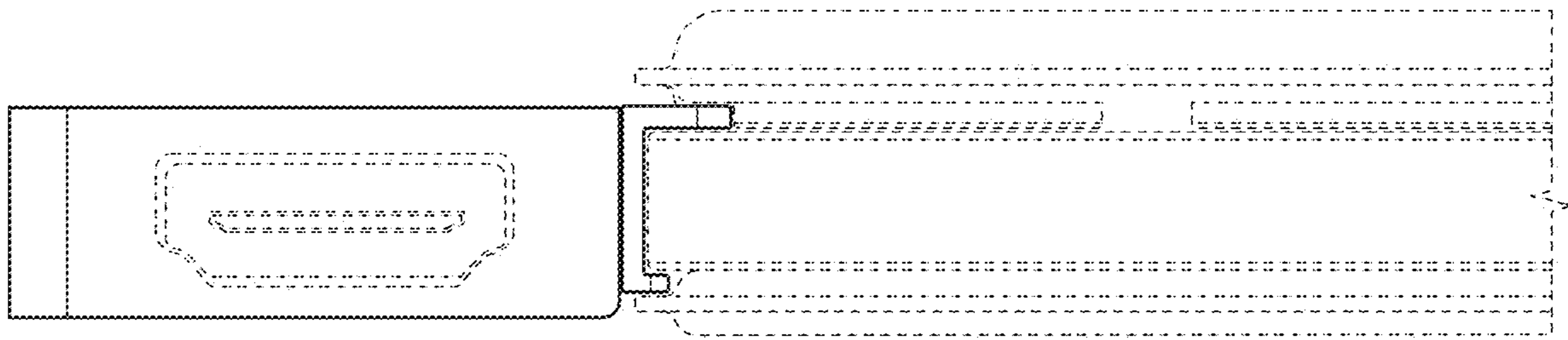


FIG. 4