



US00D874461S

(12) **United States Design Patent** (10) **Patent No.:** **US D874,461 S**  
**Siminoff et al.** (45) **Date of Patent:** **\*\* Feb. 4, 2020**

(54) **KEYPAD**

(71) Applicant: **AMAZON TECHNOLOGIES, INC.**,  
Seattle, WA (US)

(72) Inventors: **Mark Siminoff**, Mountain View, CA  
(US); **Peter Gerstberger**, Laguna  
Niguel, CA (US); **Spiro Sacre**, Los  
Angeles, CA (US); **Christopher Loew**,  
Palo Alto, CA (US); **Andrew L.  
Russell**, Philadelphia, PA (US); **James  
Siminoff**, Pacific Palisades, CA (US)

(73) Assignee: **Amazon Technologies, Inc.**, Seattle,  
WA (US)

(\*\*) Term: **15 Years**

(21) Appl. No.: **29/696,899**

(22) Filed: **Jul. 2, 2019**

**Related U.S. Application Data**

(63) Continuation of application No. 29/678,523, filed on  
Jan. 29, 2019, now Pat. No. Des. 858,523, which is a  
continuation of application No. 29/617,866, filed on  
Sep. 15, 2017, now Pat. No. Des. 849,742.

(51) **LOC (12) Cl.** ..... **14-02**

(52) **U.S. Cl.**  
USPC ..... **D14/399**

(58) **Field of Classification Search**  
USPC ..... D14/388, 389, 390, 391, 392, 396, 397,  
D14/398, 399, 400, 401, 320, 331, 333,  
D14/334, 338, 339, 341, 346, 356, 347,  
D14/379, 380, 384, 218, 455; D18/6, 7,  
D18/8, 12, 12.1, 12.2, 24, 29, 57; D19/6,  
D19/9, 10; D20/11; D21/324-333, 517,  
D21/512; D99/43, 99; D13/162, 162.1,  
D13/164, 168, 184, 123; D10/46, 75,  
D10/104.1, 106.1, 106.3, 106.9, 106.95

CPC .... G06F 15/02; G06F 15/0216; G06F 15/025;  
G06F 15/0225; G06F 15/0258; G06F  
1/1671; G06F 1/02; G06F 3/016; G06F  
3/021; G08B 13/00; G08B 13/02; G08C  
17/00; G08C 17/02; H04B 1/202; G05B  
2219/2419; G05B 2219/45109

See application file for complete search history.

(56) **References Cited**

U.S. PATENT DOCUMENTS

D297,128	S	*	8/1988	Guscott	.....	D10/106.1
D357,018	S	*	4/1995	Takami	.....	D14/218
D380,464	S	*	7/1997	Ikenaga	.....	D14/399
D389,762	S	*	1/1998	Yorkey	.....	D10/104.1
D398,912	S	*	9/1998	Phillips	.....	D14/399
D489,722	S	*	5/2004	Matuschek	.....	D14/388
D514,462	S	*	2/2006	Yang	.....	D10/106.1
D532,415	S	*	11/2006	Chen	.....	D14/399

(Continued)

*Primary Examiner* — Marie D. Fast Horse

(74) *Attorney, Agent, or Firm* — Lathrop Gage LLP

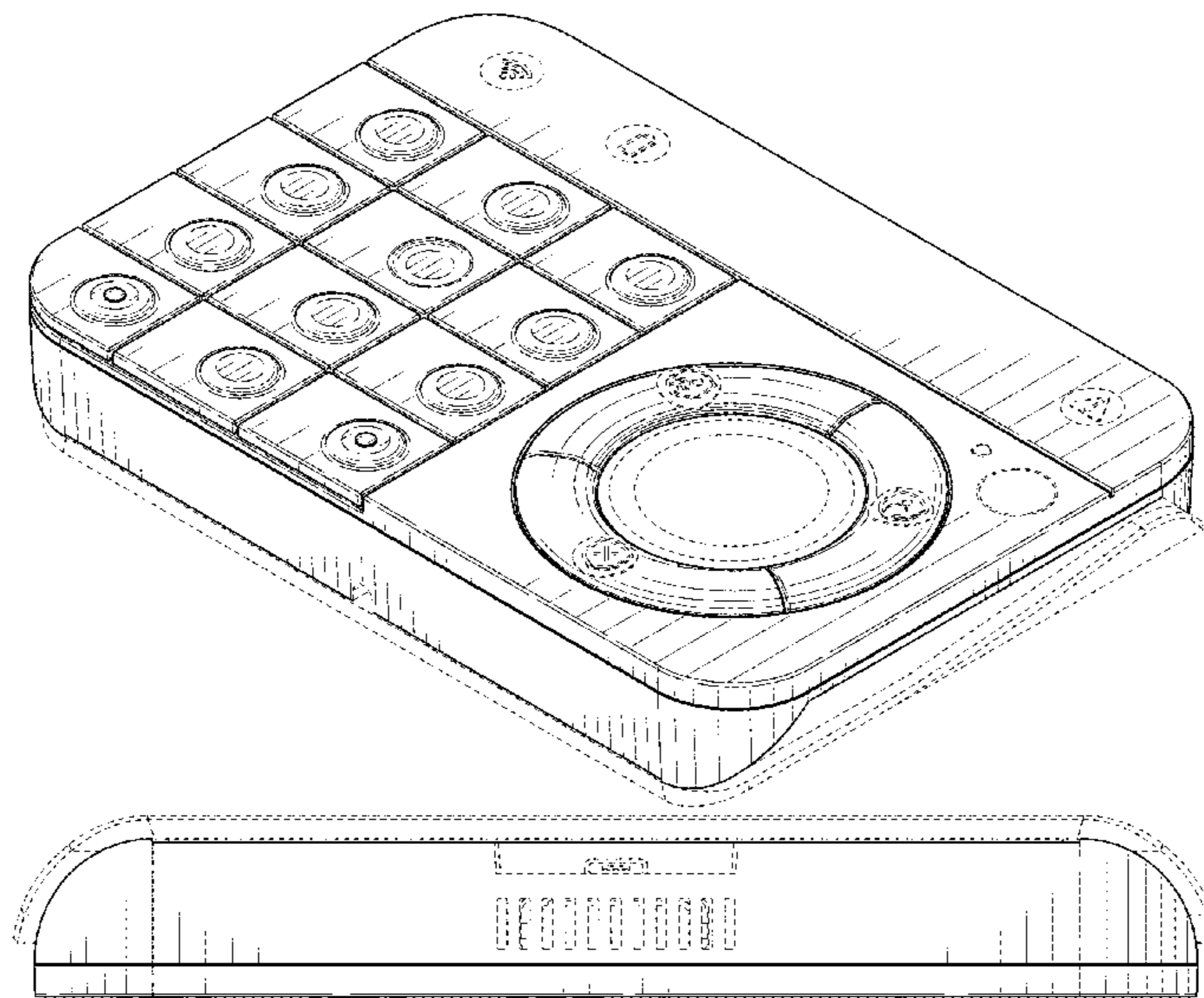
(57) **CLAIM**

The ornamental design for a keypad, as shown and  
described.

**DESCRIPTION**

FIG. 1 is a front perspective view of a keypad according to  
the present design;  
FIG. 2 is a front elevational view of the keypad of FIG. 1;  
FIG. 3 is a rear elevational view of the keypad of FIG. 1;  
FIG. 4 is a left-side elevational view of the keypad of FIG.  
1;  
FIG. 5 is a right-side elevational view of the keypad of FIG.  
1;  
FIG. 6 is a top plan view of the keypad of FIG. 1; and,  
FIG. 7 is a bottom plan view of the keypad of FIG. 1.  
The broken lines shown in the drawings depict portions of  
the keypad that form no part of the claimed design.

**1 Claim, 5 Drawing Sheets**



(56)

References Cited

U.S. PATENT DOCUMENTS

D541,800 S \* 5/2007 Ponnert ..... D14/388  
 D542,792 S \* 5/2007 Beamish ..... D14/388  
 D581,303 S \* 11/2008 Concari ..... D10/104.1  
 D602,474 S \* 10/2009 Hansen ..... D14/218  
 D634,734 S \* 3/2011 Cho ..... D14/218  
 D645,848 S \* 9/2011 Arnholt ..... D14/218  
 D665,083 S \* 8/2012 Yang ..... D14/388  
 D671,917 S \* 12/2012 Gibbens, Jr. .... D14/218  
 D697,057 S \* 1/2014 Kwon ..... D14/218  
 D699,613 S \* 2/2014 Ke ..... D10/106.95  
 D709,480 S \* 7/2014 Kim ..... D14/218  
 D713,820 S \* 9/2014 O'Neil ..... D14/218  
 D716,963 S \* 11/2014 Yosef ..... D24/215  
 D718,720 S \* 12/2014 Rader ..... D13/162  
 D718,721 S \* 12/2014 Rader ..... D13/162  
 D722,297 S \* 2/2015 Rader ..... D13/162  
 D723,478 S \* 3/2015 Turksu ..... D13/168  
 D723,521 S \* 3/2015 Chen ..... D14/218  
 D733,100 S \* 6/2015 Kim ..... D14/218  
 D750,572 S \* 3/2016 Brooking ..... D10/106.1

D760,197 S \* 6/2016 Huebner ..... D14/218  
 D763,359 S \* 8/2016 Kwong ..... D14/401  
 D766,241 S \* 9/2016 Maletz ..... D10/104.1  
 D777,050 S \* 1/2017 Will ..... D10/104.1  
 D798,177 S \* 9/2017 Siminoff ..... D10/118.2  
 D802,463 S \* 11/2017 Siminoff ..... D10/118.2  
 D809,520 S \* 2/2018 Jou ..... D14/455  
 D818,387 S \* 5/2018 Chen ..... D10/118.2  
 D819,476 S \* 6/2018 Siminoff ..... D10/118.2  
 D820,137 S \* 6/2018 Siminoff ..... D10/118.2  
 D820,708 S \* 6/2018 Siminoff ..... D10/118.2  
 D822,005 S \* 7/2018 Goltche ..... D14/218  
 D822,033 S \* 7/2018 Rosenberg ..... D14/455  
 D822,518 S \* 7/2018 Siminoff ..... D10/118.2  
 D822,519 S \* 7/2018 Siminoff ..... D10/118.2  
 D822,520 S \* 7/2018 Siminoff ..... D10/118.2  
 D828,200 S \* 9/2018 Ahman ..... D10/118.2  
 D829,585 S \* 10/2018 Siminoff ..... D10/118.2  
 D830,871 S \* 10/2018 Siminoff ..... D10/118.2  
 D833,313 S \* 11/2018 Siminoff ..... D10/118.2  
 D849,742 S \* 5/2019 Siminoff ..... D14/399  
 D858,523 S \* 9/2019 Siminoff ..... D14/399

\* cited by examiner

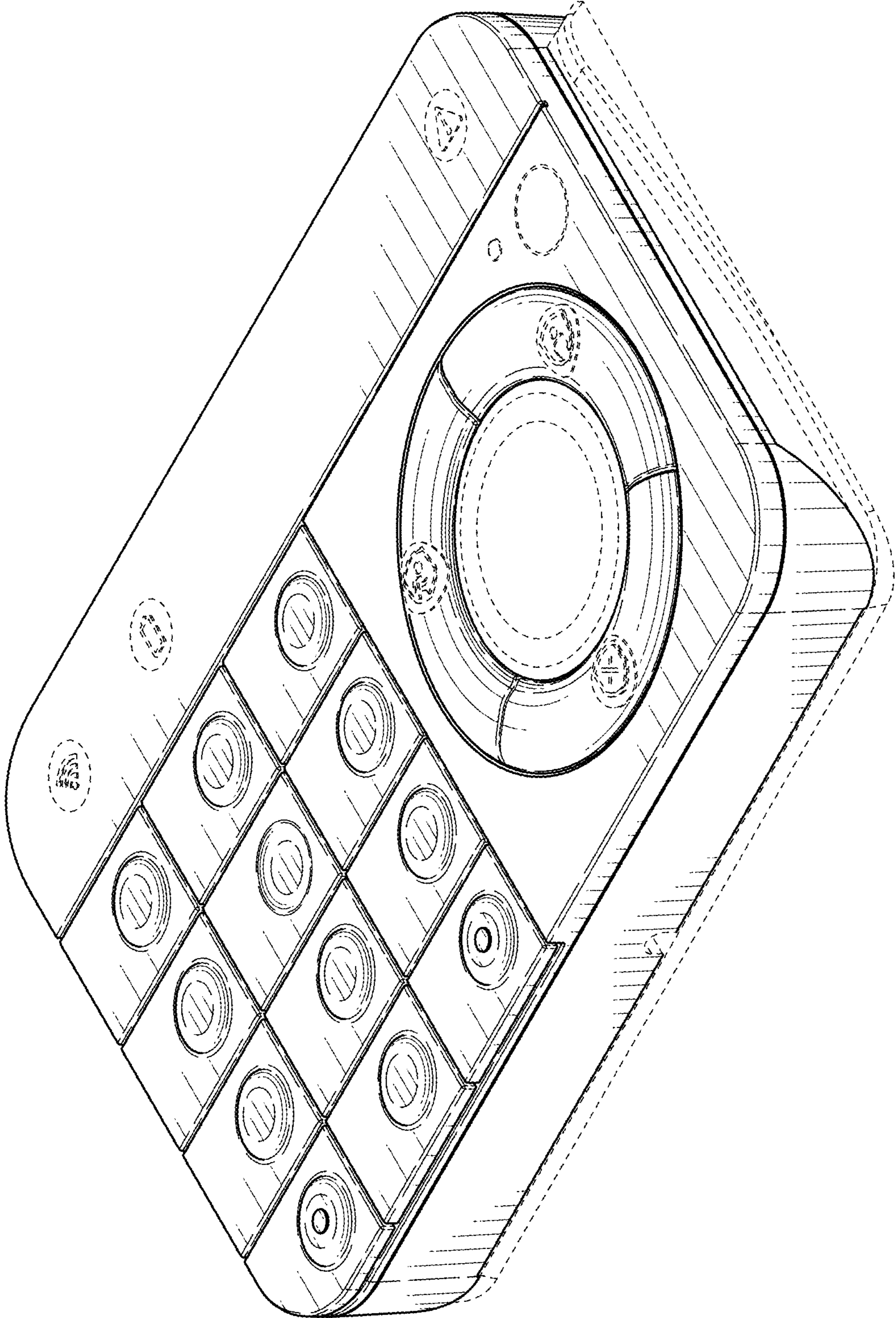


FIG. 1

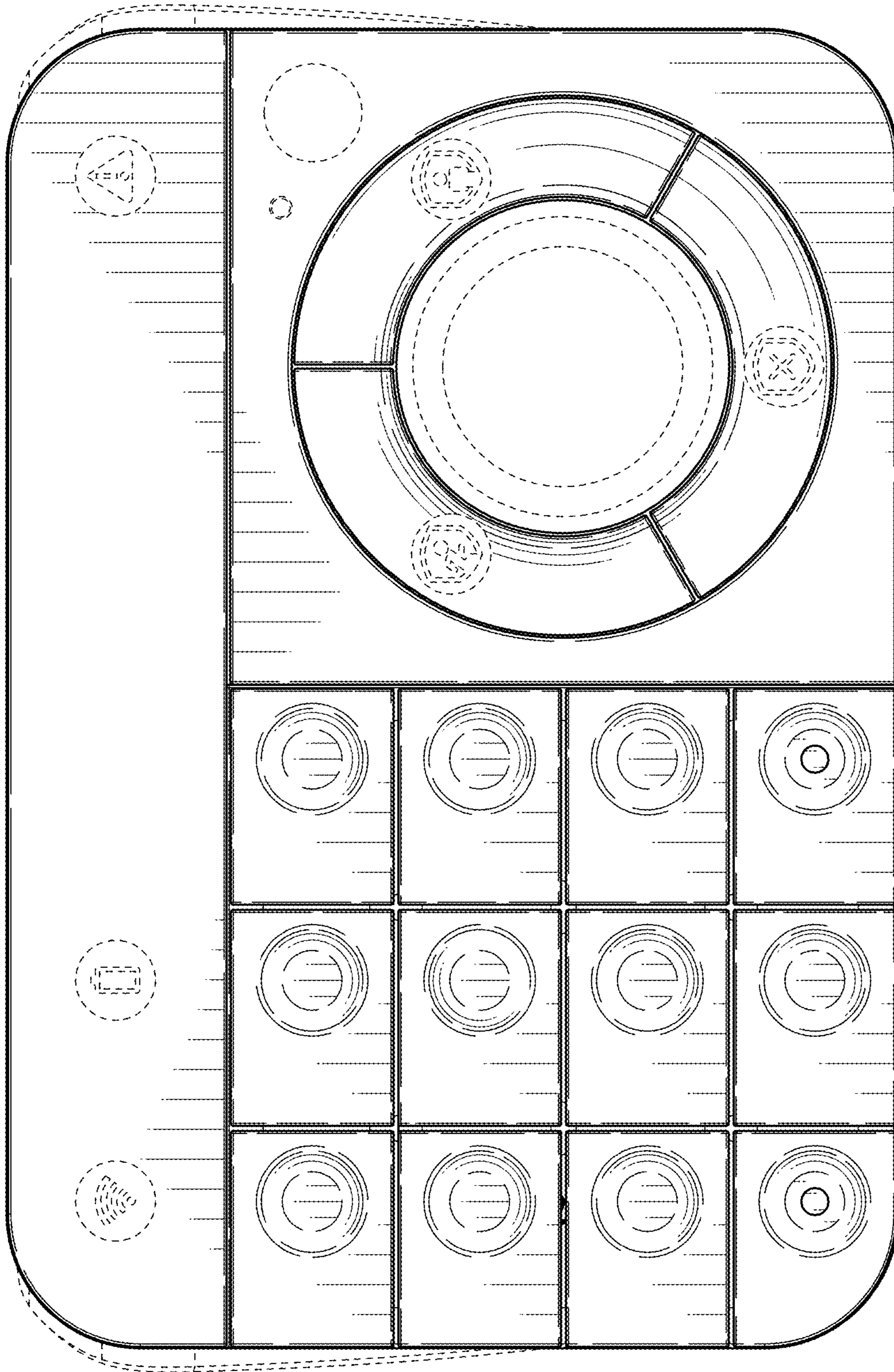


FIG. 2

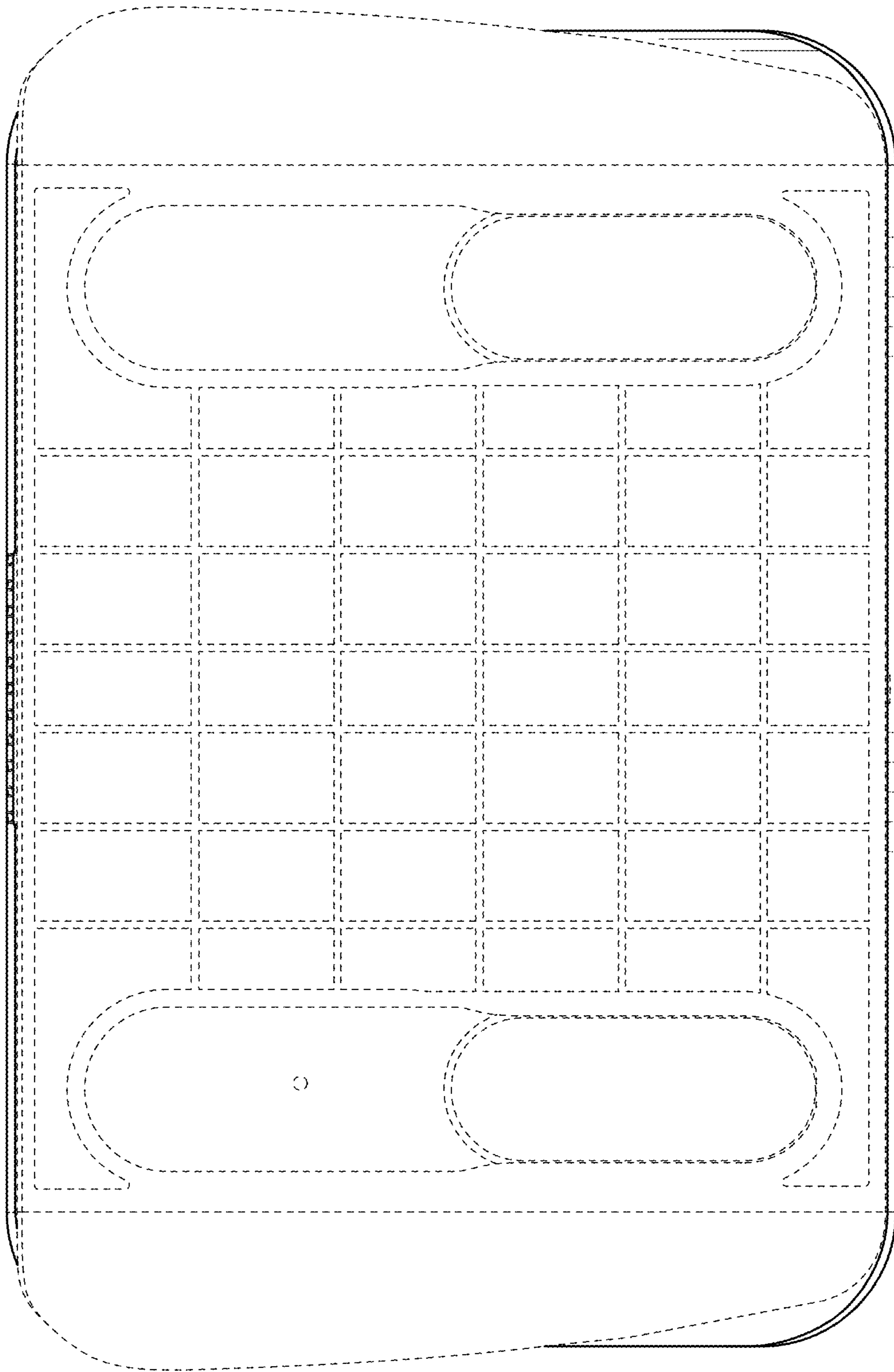


FIG. 3

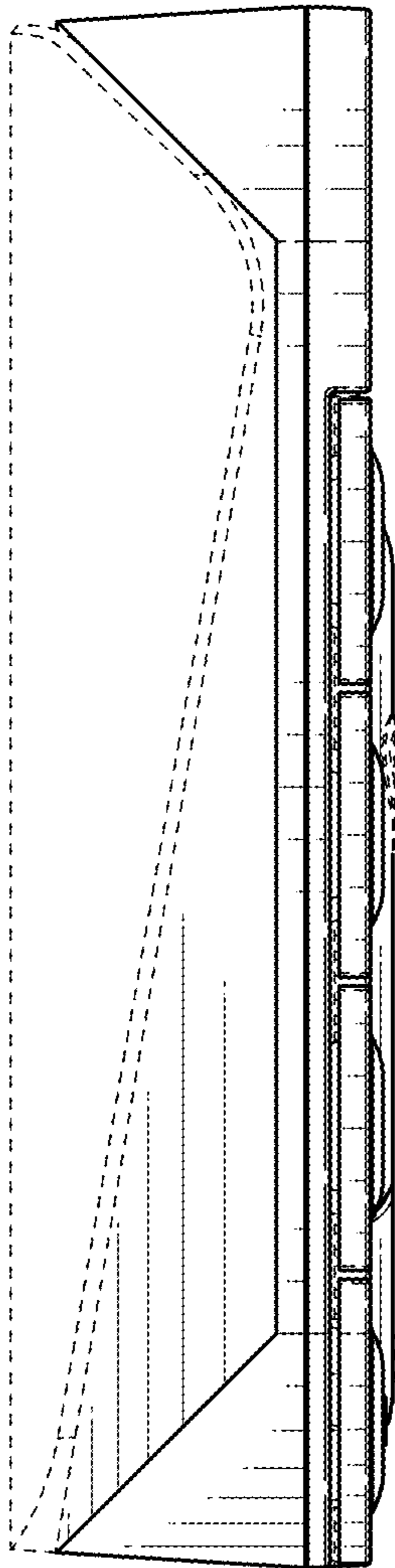


FIG. 4

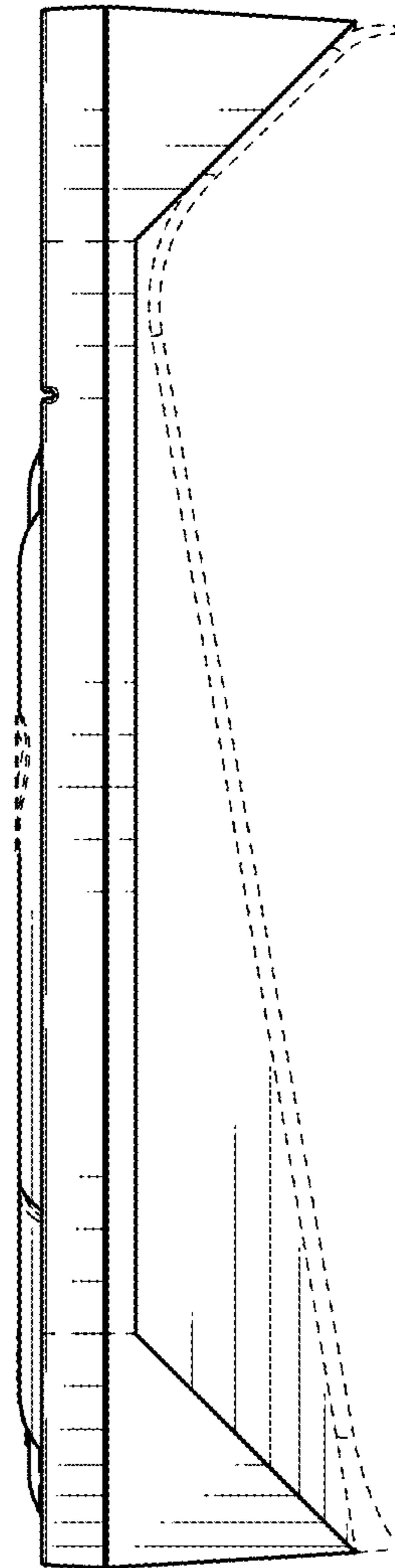


FIG. 5

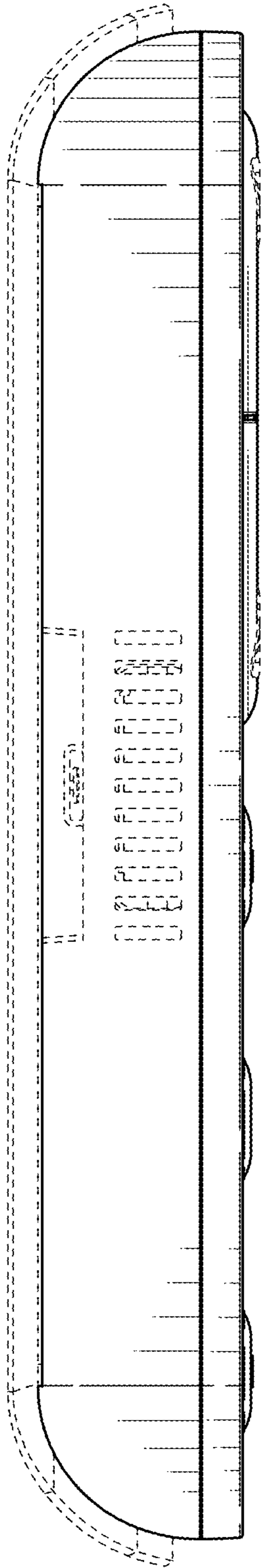


FIG. 6

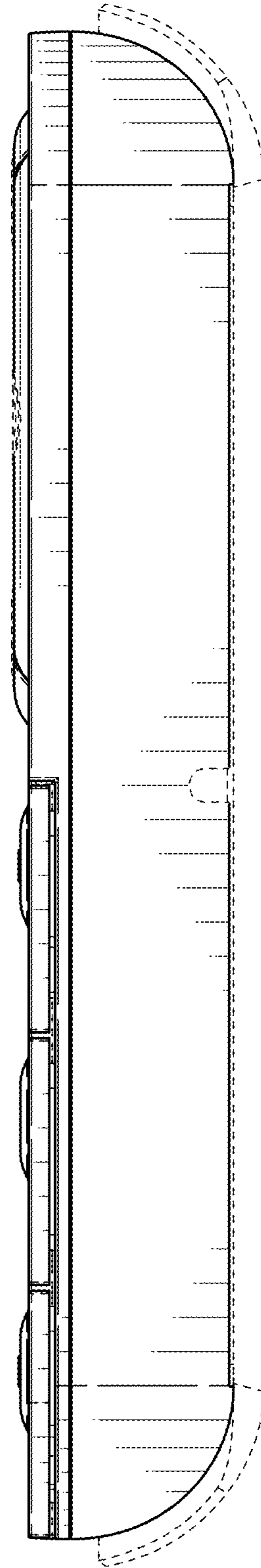


FIG. 7