



US00D874459S

(12) **United States Design Patent**
Limaye et al.

(10) **Patent No.:** **US D874,459 S**

(45) **Date of Patent:** **** Feb. 4, 2020**

(54) **HEAD-MOUNTED DISPLAY WITH
HEADBAND ATTACHMENT**

(71) Applicant: **ALLOMIND, INC.**, Arcadia, CA (US)

(72) Inventors: **Abhijit Limaye**, San Jose, CA (US);
Stephen Barton, Los Altos, CA (US);
Christopher Kuh, San Francisco, CA
(US); **Martin Gschwandtl**, San
Francisco, CA (US)

(73) Assignee: **ALLOMIND, INC.**, Arcadia, CA (US)

(**) Term: **15 Years**

(21) Appl. No.: **29/607,480**

(22) Filed: **Jun. 13, 2017**

(51) **LOC (12) Cl.** **14-02**

(52) **U.S. Cl.**
USPC **D14/372**

(58) **Field of Classification Search**
USPC D14/372, 496, 432, 371, 125, 126, 129,
D14/299; D16/300-342; 351/158, 153,
351/144; 345/7-9, 905; 455/344;
348/115, 53, 121, 739
CPC G02B 27/017; G02B 27/0158; G02B
27/0161; G02B 27/0181; G02B 27/0185;
G02B 27/0189

See application file for complete search history.

(56) **References Cited**

U.S. PATENT DOCUMENTS

D738,374 S * 9/2015 Luckey D14/372
9,599,822 B2 * 3/2017 Yoon G02B 3/08

D791,129 S * 7/2017 Sullivan D14/372
D792,399 S * 7/2017 Thomas D14/372
D794,022 S * 8/2017 Limaye D14/372
D801,970 S * 11/2017 Sullivan D14/372
9,837,043 B1 * 12/2017 Patel G09G 5/006
9,846,483 B2 * 12/2017 Petrov G06F 3/015
D810,081 S * 2/2018 Lin D14/372
D810,743 S * 2/2018 Yee D14/372
9,927,618 B2 * 3/2018 Allin G02B 27/0176

* cited by examiner

Primary Examiner — Austin Murphy

(74) *Attorney, Agent, or Firm* — Sheppard Mullin Richter
& Hampton LLP

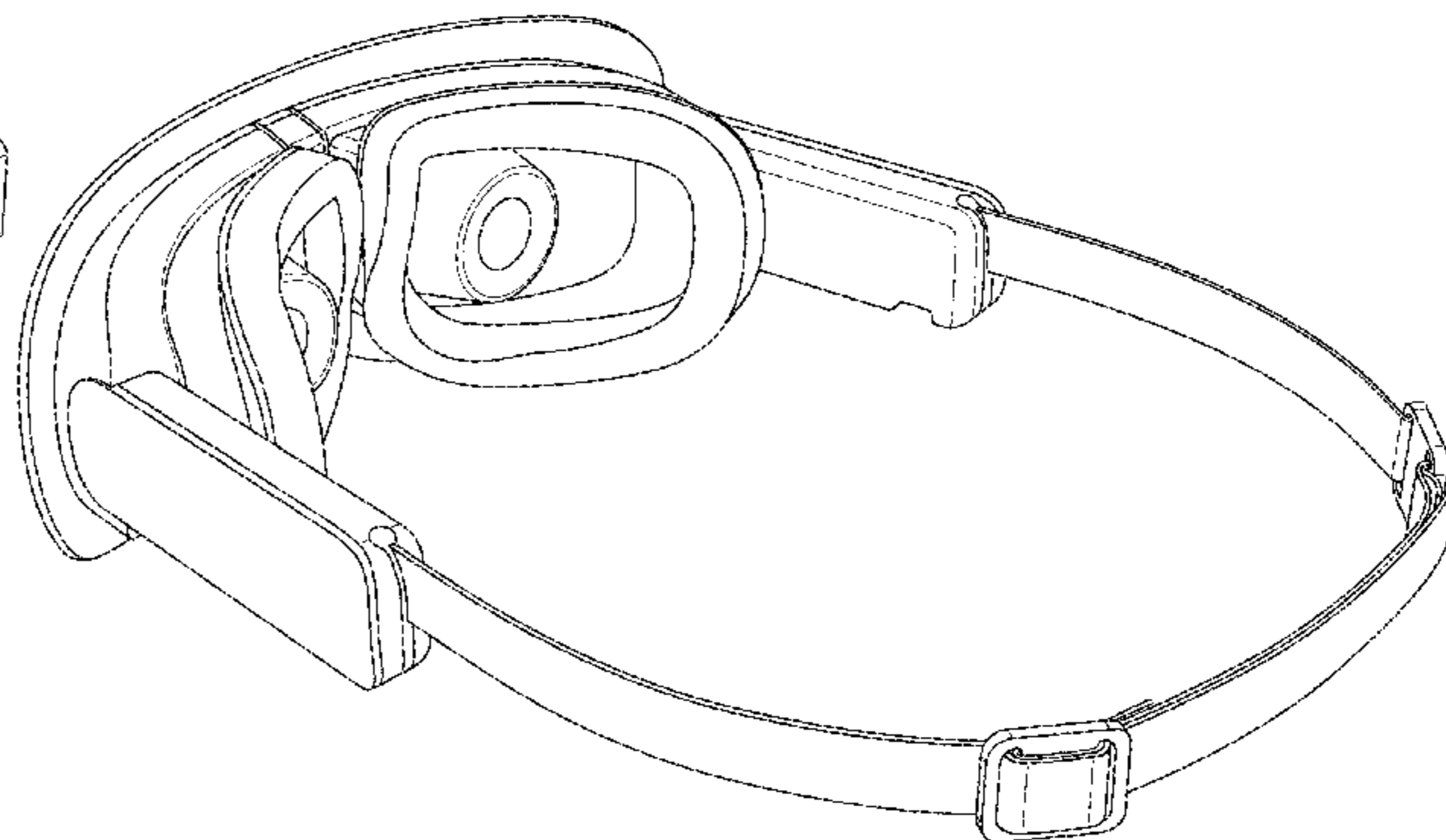
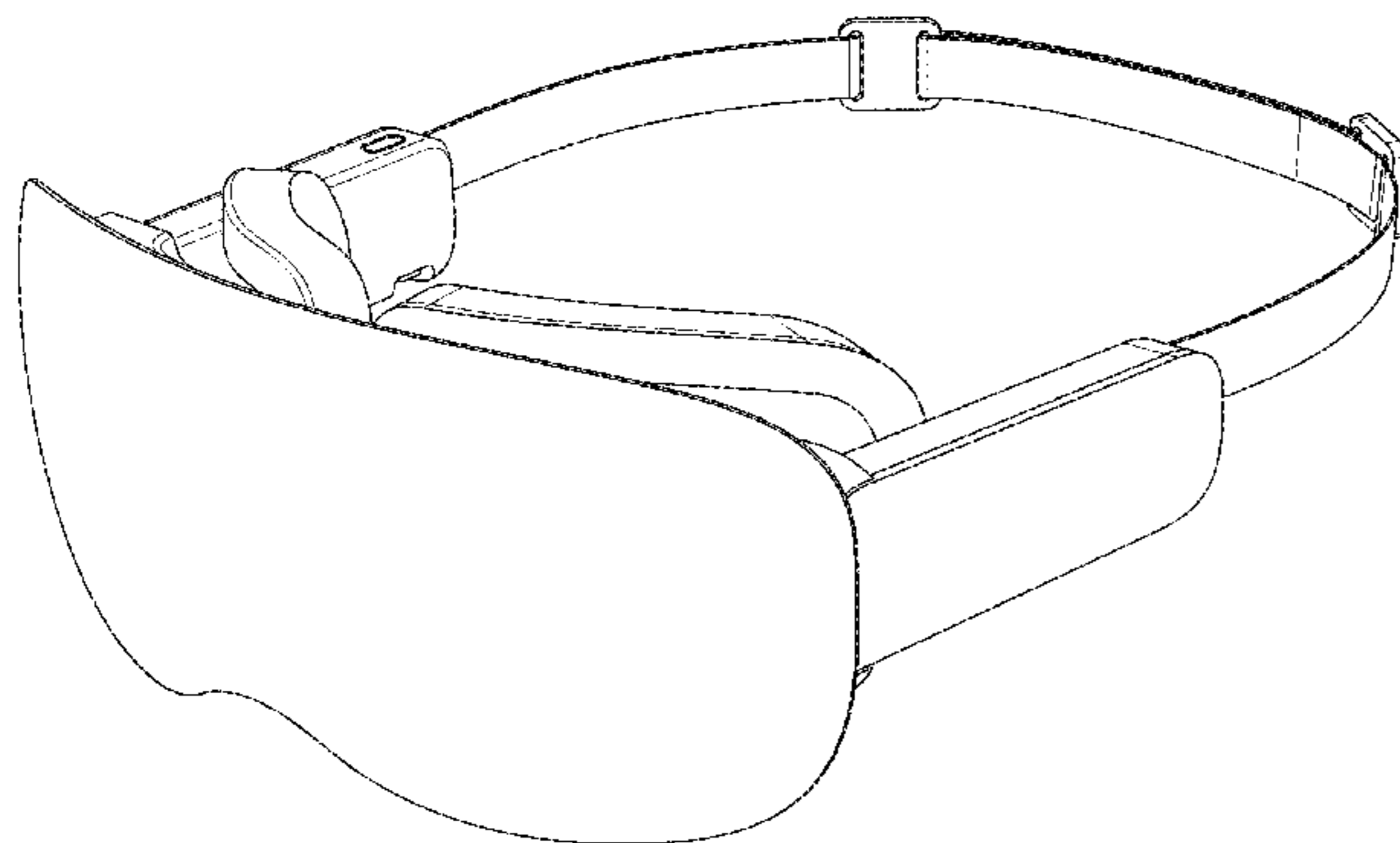
(57) **CLAIM**

We claim the ornamental design for a head-mounted display
with headband attachment, as shown and described.

DESCRIPTION

FIG. 1 is a perspective front view of a head-mounted display
with headband attachment showing our new design;
FIG. 2 is a perspective view thereof;
FIG. 3 is a front view thereof;
FIG. 4 is a rear view thereof;
FIG. 5 is a side view thereof;
FIG. 6 is a top view thereof; and,
FIG. 7 is a view thereof.

1 Claim, 6 Drawing Sheets



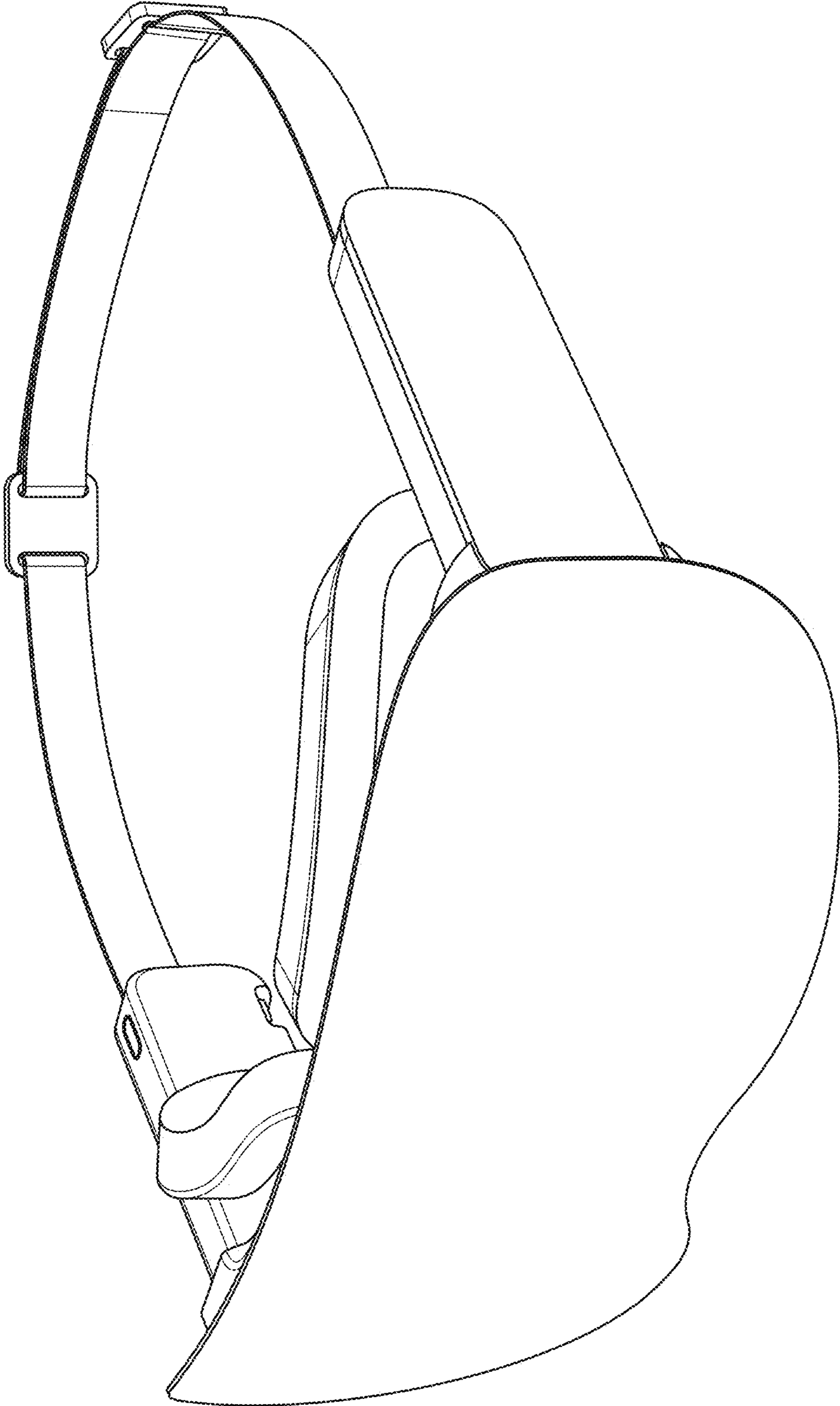


FIG. 1

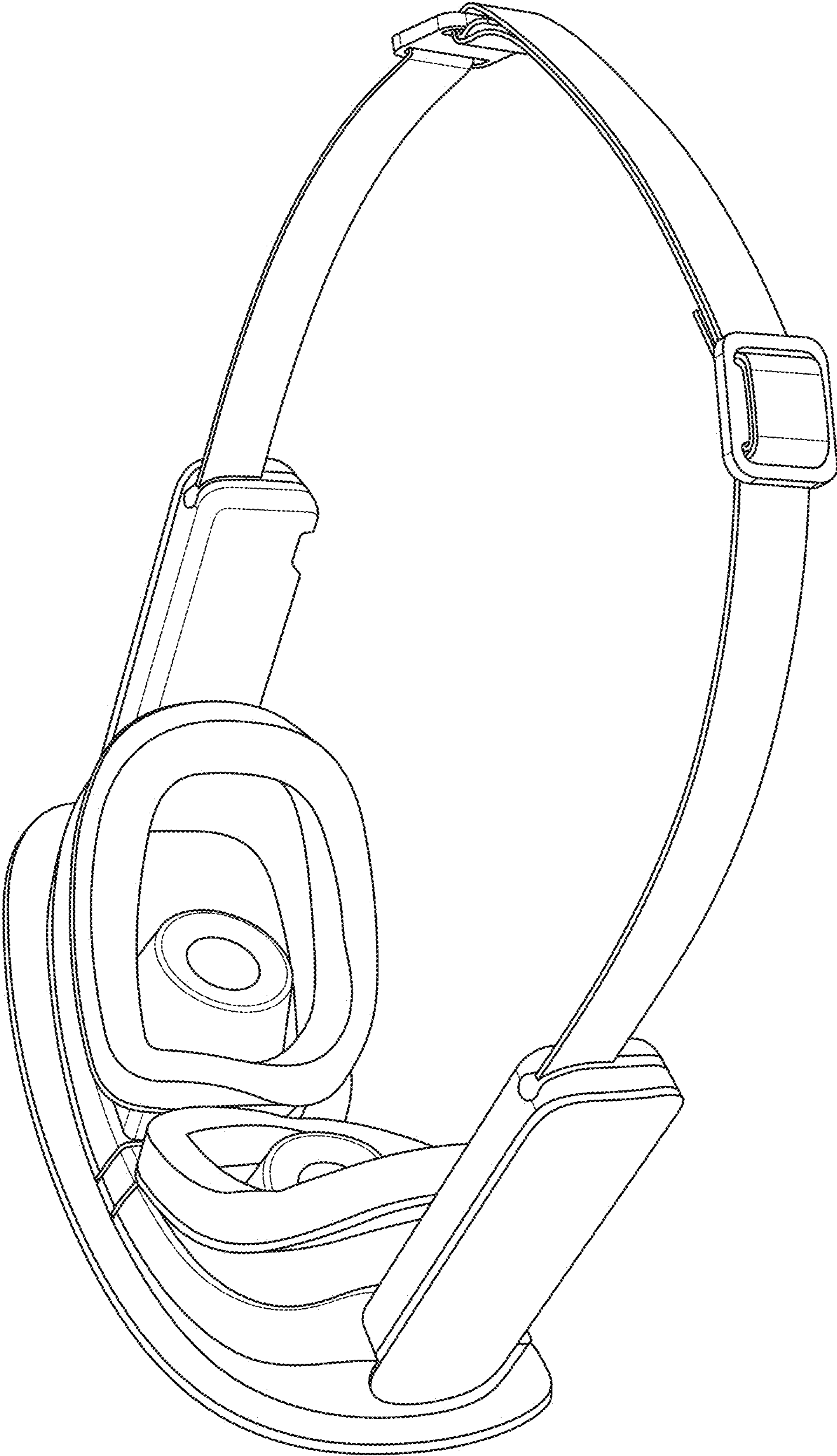


FIG. 2

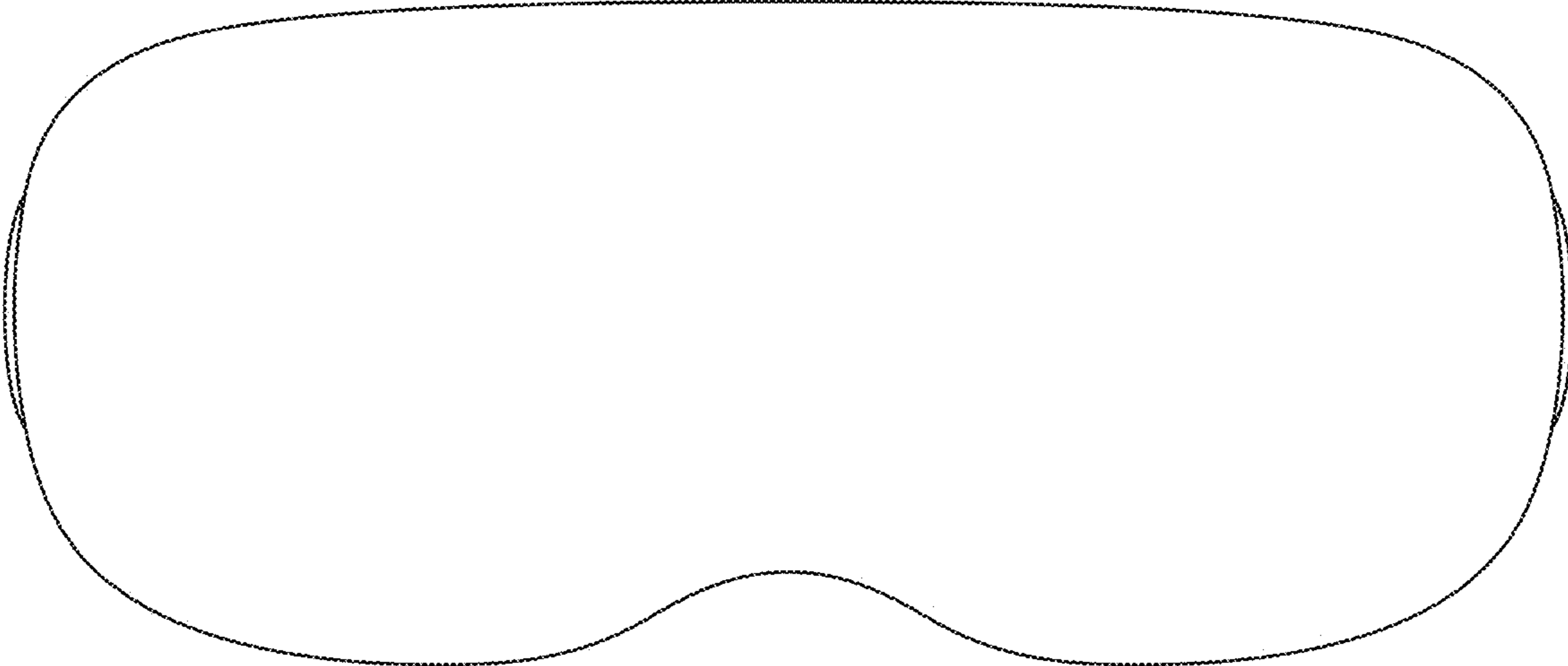


FIG. 3

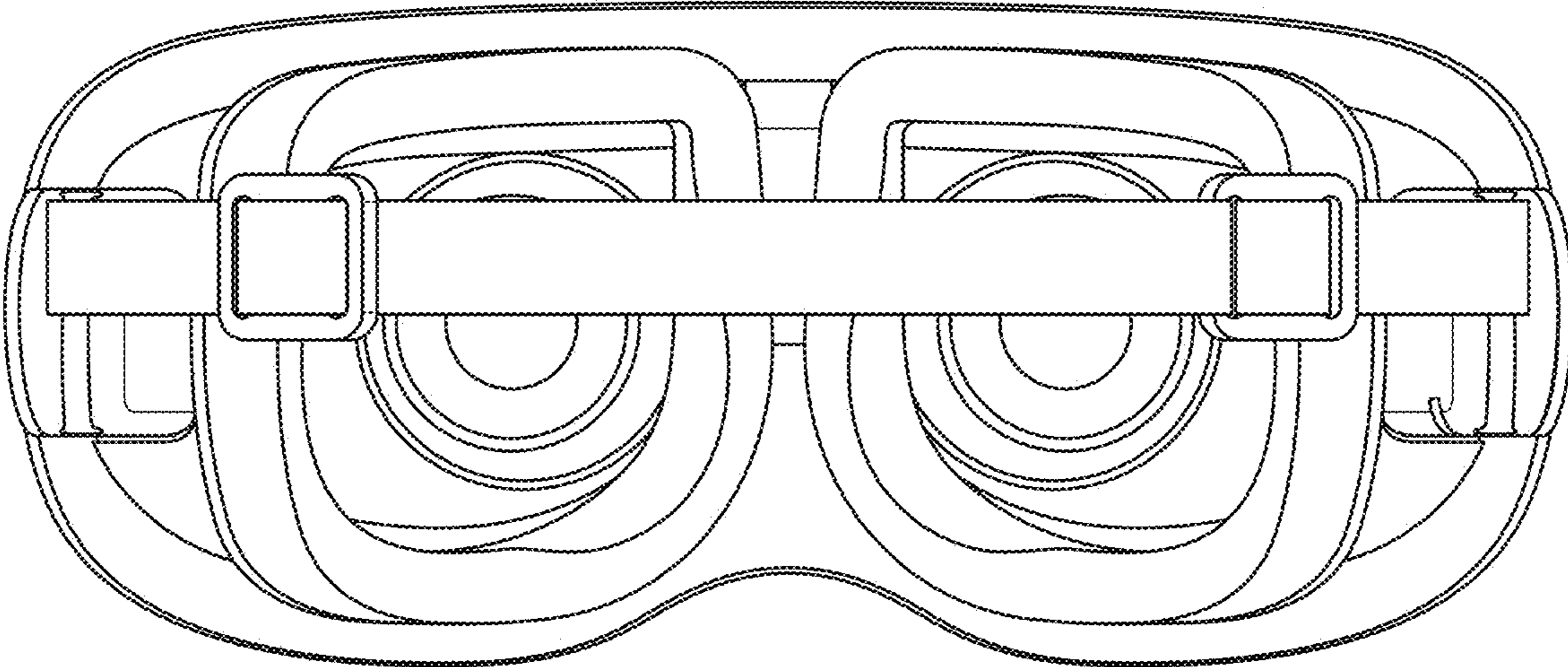


FIG. 4

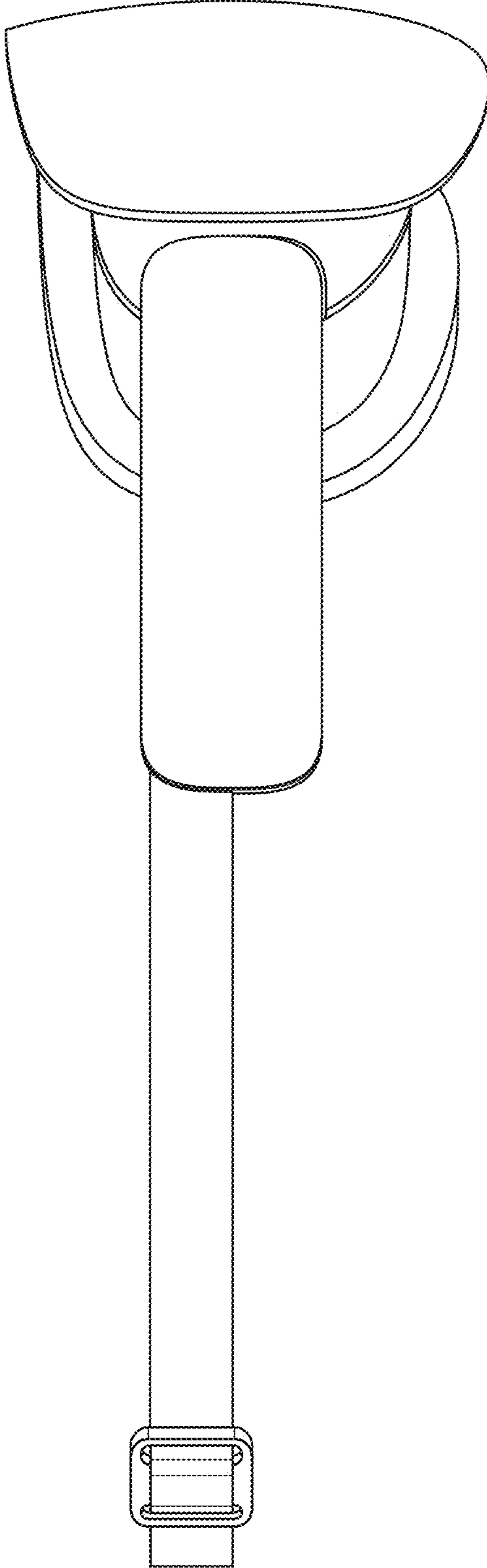


FIG. 5

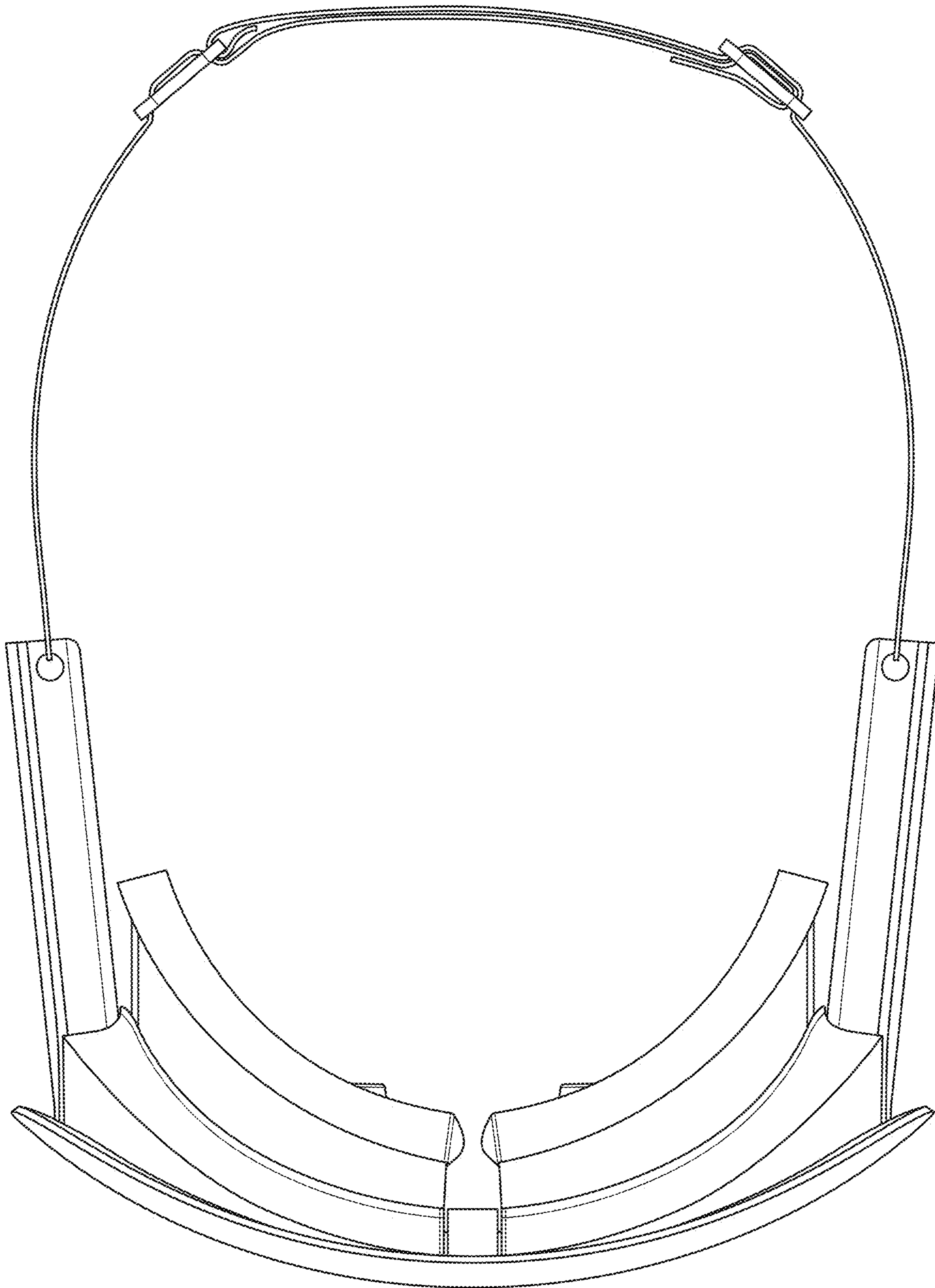


FIG. 6

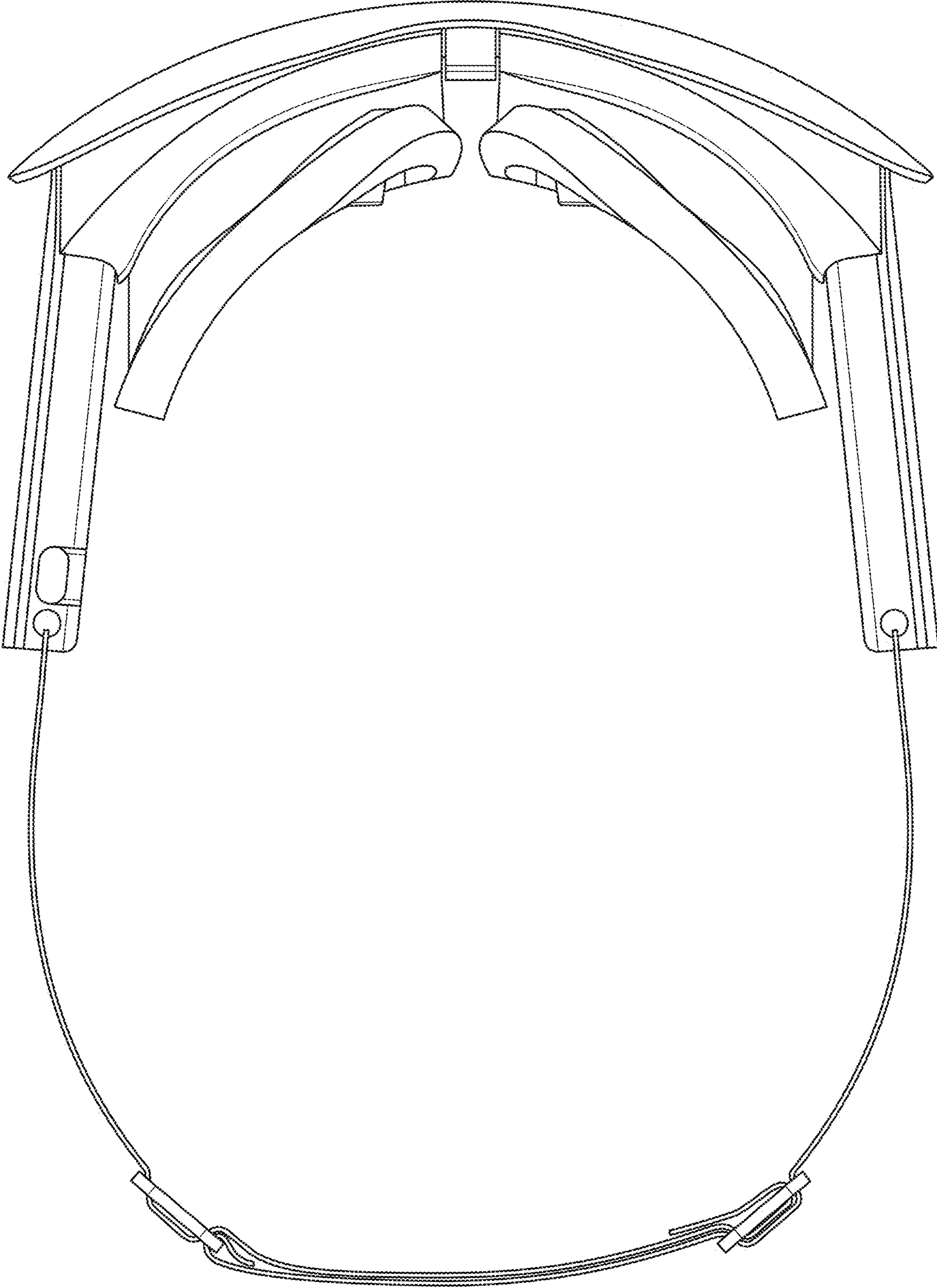


FIG. 7