



US00D874457S

(12) **United States Design Patent** (10) **Patent No.:** **US D874,457 S**
Oakley (45) **Date of Patent:** **** Feb. 4, 2020**

- (54) **NOTEBOOK COMPUTER**
- (71) Applicant: **Intel Corporation**, Santa Clara, CA (US)
- (72) Inventor: **Nicholas W. Oakley**, Portland, OR (US)
- (73) Assignee: **Intel Corporation**, Santa Clara, CA (US)
- (**) Term: **15 Years**
- (21) Appl. No.: **29/637,477**
- (22) Filed: **Feb. 19, 2018**

Related U.S. Application Data

- (62) Division of application No. 29/577,990, filed on Sep. 16, 2016, now Pat. No. Des. 813,859.
- (51) **LOC (12) Cl.** **14-02**
- (52) **U.S. Cl.**
USPC **D14/327; D14/439**
- (58) **Field of Classification Search**
USPC D14/315-327, 331, 333-337, 439, 441, D14/450; D18/1-2, 7, 11, 12.2-12.3
(Continued)

(56) **References Cited**

U.S. PATENT DOCUMENTS

- 6,771,494 B2 8/2004 Shimano
- D515,094 S * 2/2006 Kawami D14/439
(Continued)

OTHER PUBLICATIONS

Ridden, Paul, *Lenovo treats new Chromebook to multimode hinge*, posted at New Atlas, posting date May 6, 2014. Site visited May 24, 2019. URL: <<https://newatlas.com/lenovo-n20-n20p-chromebook/31933/>> (Year: 2014).*

(Continued)

Primary Examiner — Kevin K Rudzinski
Assistant Examiner — Kathleen L Jones
(74) *Attorney, Agent, or Firm* — Schwegman Lundberg & Woessner, P.A.

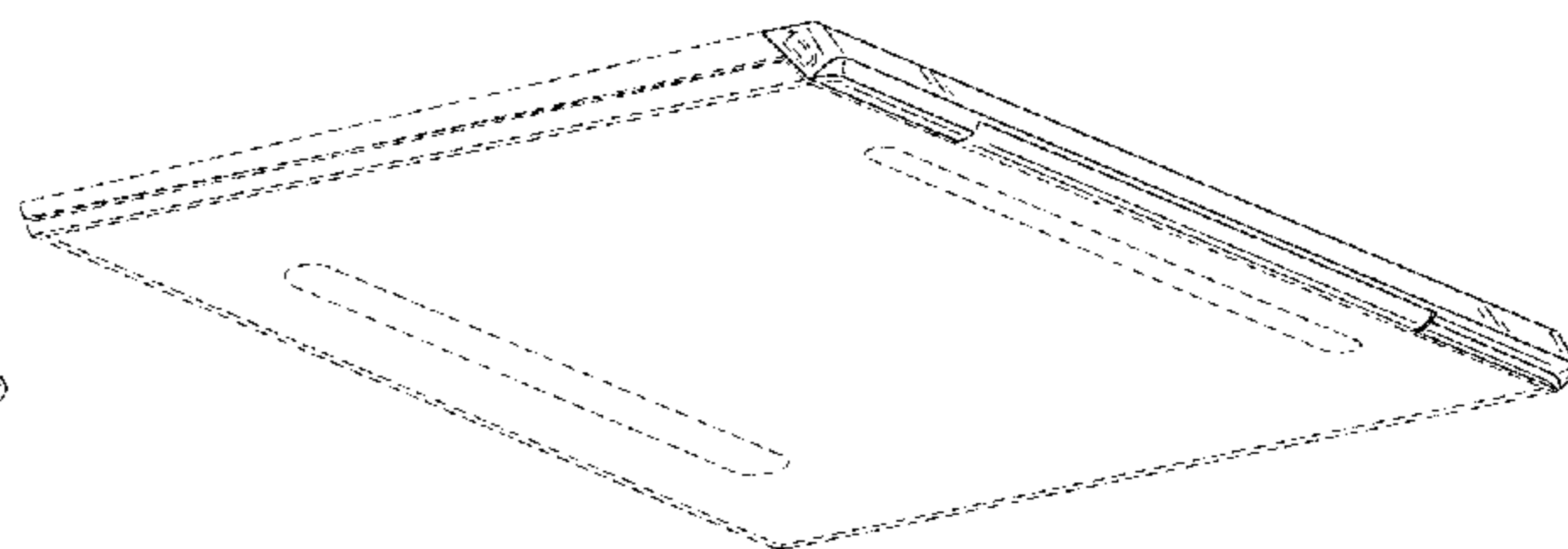
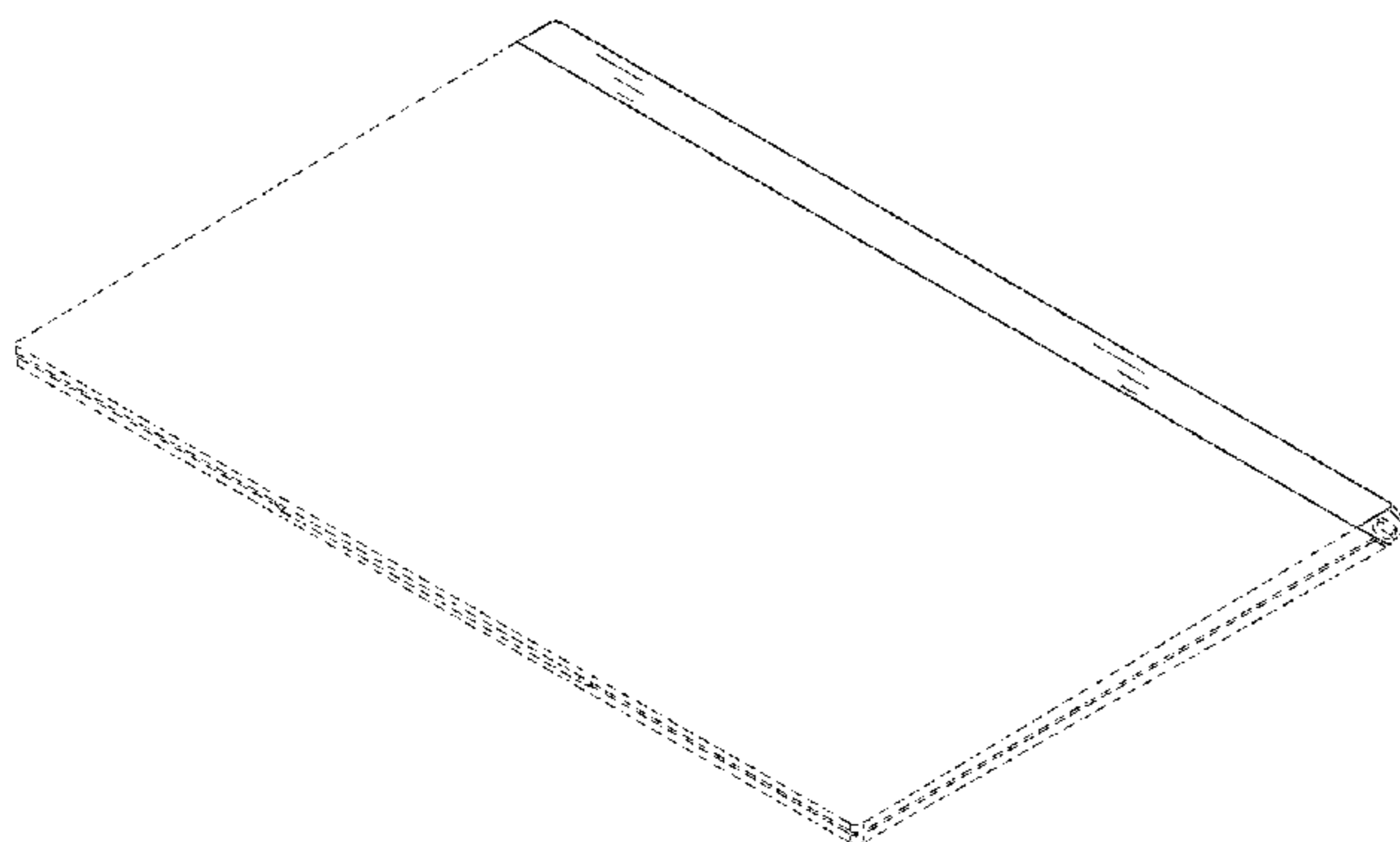
(57) **CLAIM**

The ornamental design for a notebook computer, as shown and described.

DESCRIPTION

FIG. 1 is a front perspective view of a notebook computer with the lid closed;
 FIG. 2 is a back perspective view thereof;
 FIG. 3 is a top planar view thereof;
 FIG. 4 is a right side planar view thereof;
 FIG. 5 is a left side planar view thereof;
 FIG. 6 is a front planar view thereof;
 FIG. 7 is a back planar view thereof;
 FIG. 8 is a bottom planar view thereof;
 FIG. 9 is a front perspective view of the notebook computer with the lid opened; the speaker grills shown in dotted areas on left and right sides of the hinge portion form no part of the claimed design;
 FIG. 10 is a back perspective view thereof;
 FIG. 11 is a top planar view thereof; the speaker grills shown in dotted areas on left and right sides of the hinge portion form no part of the claimed design;
 FIG. 12 is a bottom planar view thereof;
 FIG. 13 is a right side planar view thereof;
 FIG. 14 is a left side planar view thereof;
 FIG. 15 is a front planar view thereof; the speaker grills shown in dotted areas on left and right sides of the hinge portion form no part of the claimed design; and,
 FIG. 16 is a back planar view thereof.
 Broken lines showing portions of the notebook computer are included for the purpose of illustrating environment and form no part of the claimed design.

1 Claim, 11 Drawing Sheets



(58) **Field of Classification Search**

CPC G06F 1/16; G06F 1/1637; G06F 1/1613;
 G06F 1/1616; G06F 1/1618; G06F 1/162;
 G06F 1/1654; G06F 1/1681; F16M 11/06;
 F16M 11/10; F16M 11/14; H05K 5/0243
 See application file for complete search history.

D716,793 S * 11/2014 Lee D14/315
 D719,148 S 12/2014 Kim et al.
 D720,741 S 1/2015 Leonard et al.
 9,261,906 B2* 2/2016 Arima G06F 1/1637
 D758,359 S 6/2016 Reed et al.
 D770,441 S 11/2016 Kong
 D775,624 S * 1/2017 Kong D14/315
 D813,859 S * 3/2018 Oakley D14/315
 D829,708 S * 10/2018 Wu D14/315
 2004/0074050 A1 4/2004 Birtley
 2016/0349909 A1* 12/2016 Lu G06F 1/1624

(56) **References Cited**

U.S. PATENT DOCUMENTS

D526,998 S * 8/2006 Kondo D14/327
 D526,999 S * 8/2006 Tago D14/327
 D590,824 S * 4/2009 Kurosawa D14/315
 D601,138 S 9/2009 Solomon et al.
 D615,539 S * 5/2010 Jen D14/315
 7,990,693 B2* 8/2011 Nakajima G06F 1/1616
 361/679.08
 D664,539 S * 7/2012 Massaro D14/327
 D666,197 S * 8/2012 Ashcraft D14/315
 D679,705 S 4/2013 Mcmanigal et al.
 D705,221 S * 5/2014 Hong D14/315
 D705,773 S 5/2014 Tian

OTHER PUBLICATIONS

“U.S. Appl. No. 29/577,990, Notice of Allowance dated Nov. 15, 2017”, 7 pgs.
 “U.S. Appl. No. 29/577,990, Response filed Oct. 25, 2017 to Restriction Requirement dated Sep. 1, 2017”, 5 pgs.
 “U.S. Appl. No. 29/577,990, Restriction Requirement dated Sep. 1, 2017”.

* cited by examiner

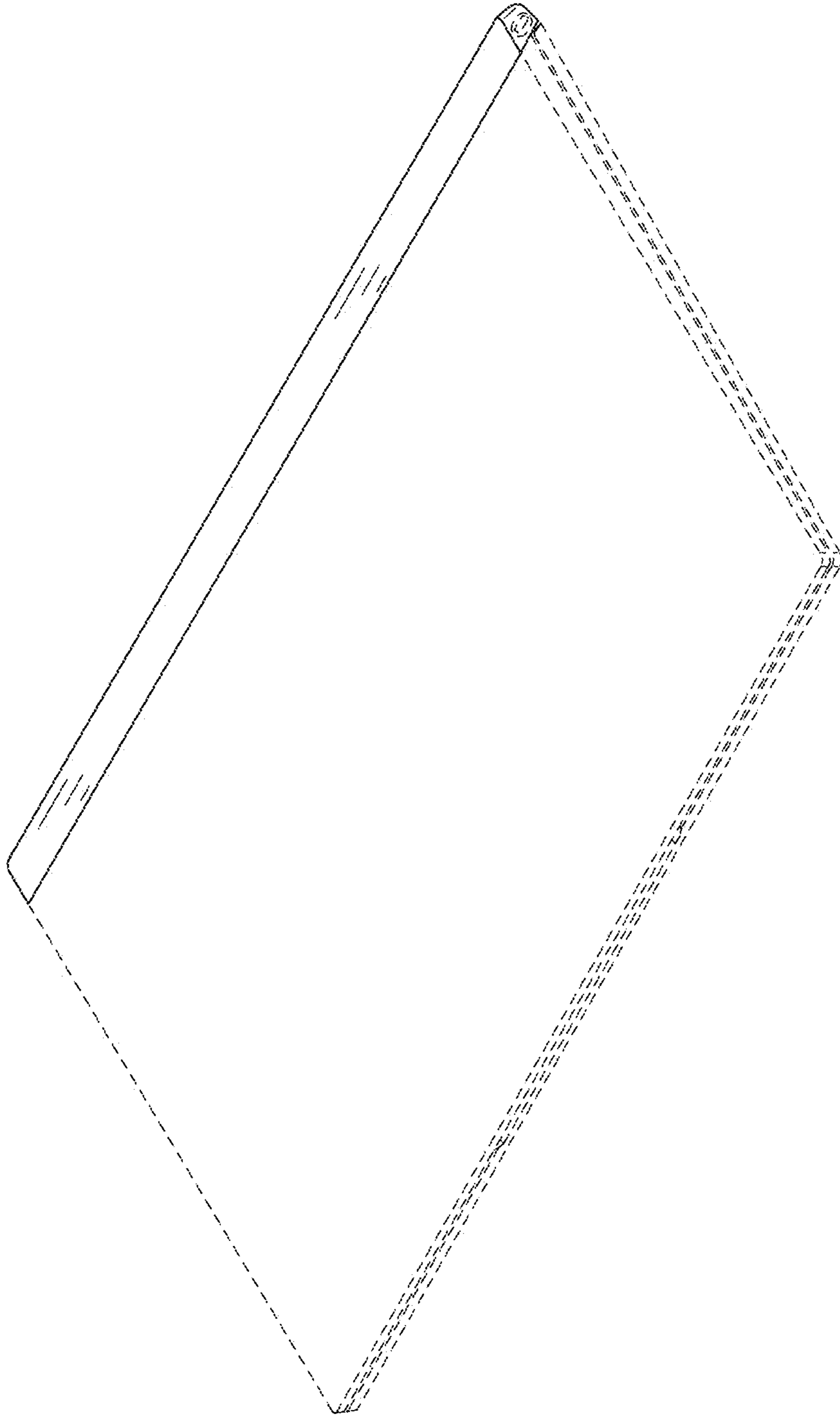


Fig. 1

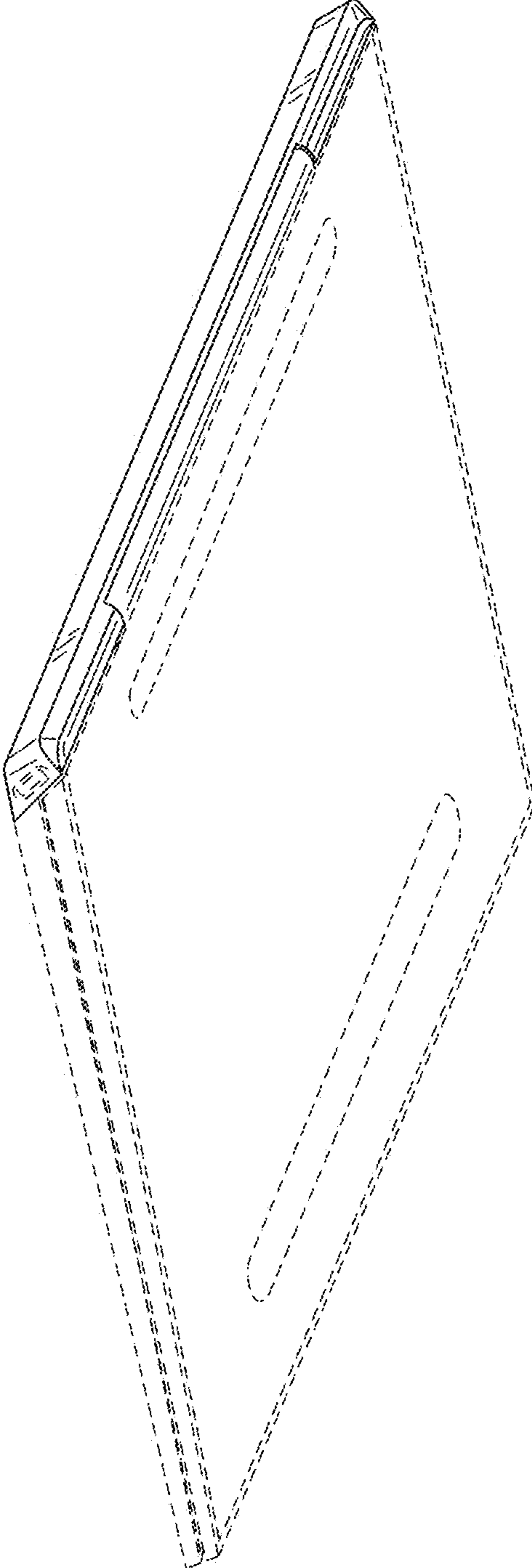


Fig. 2



Fig. 3



Fig. 4

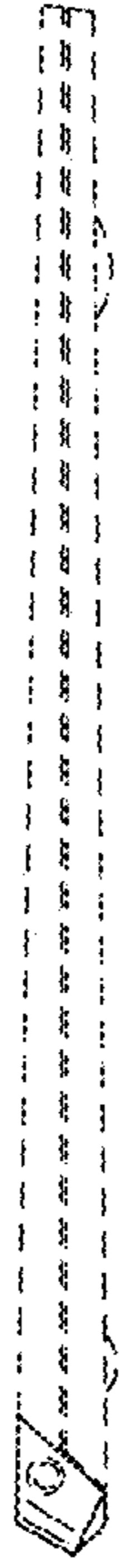


Fig. 5



Fig. 6

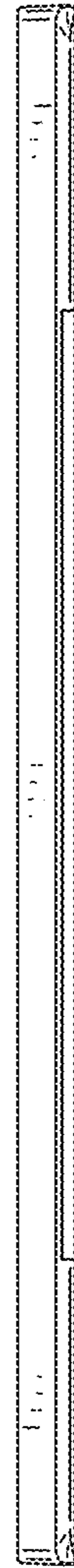


Fig. 7

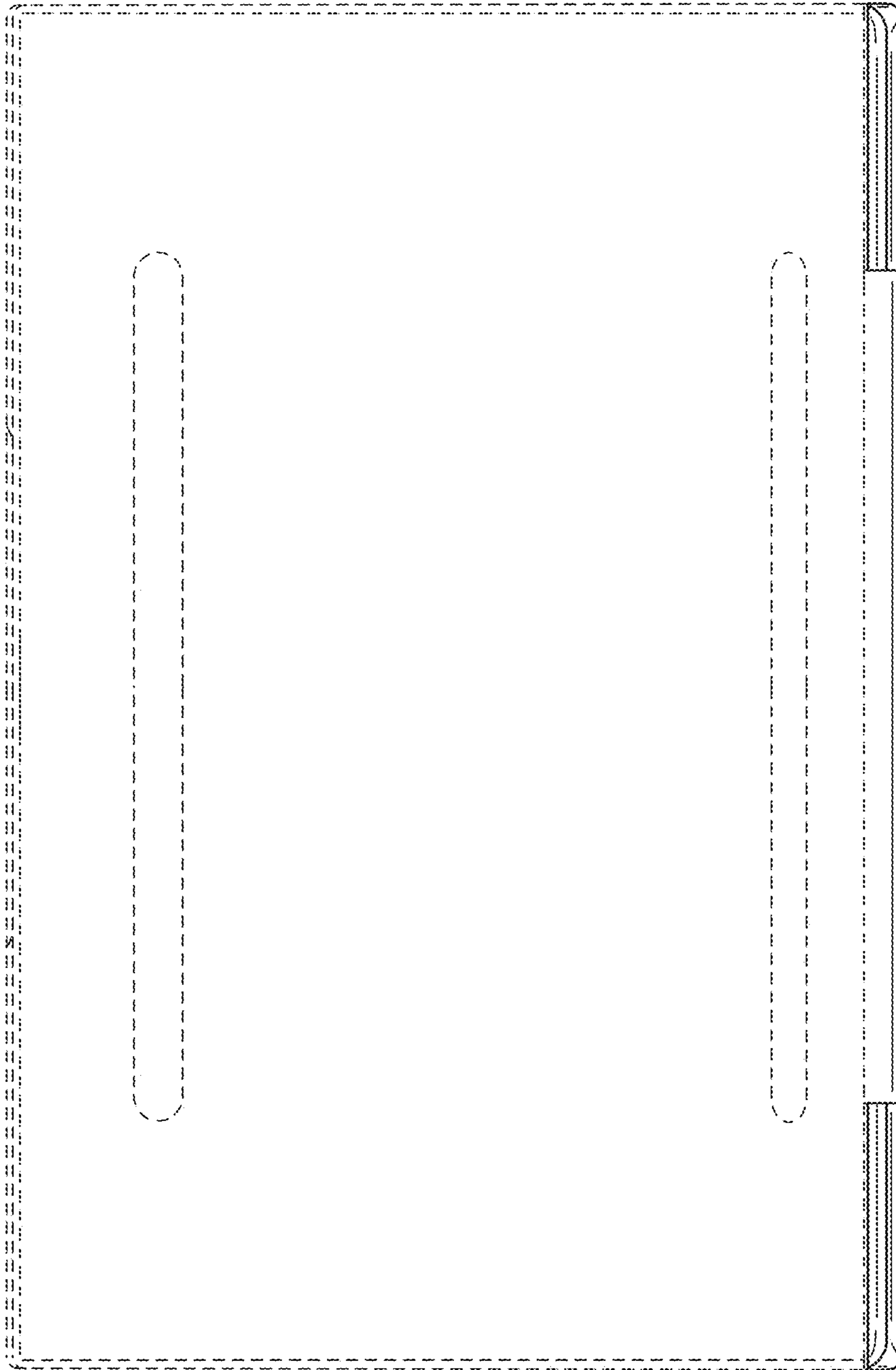


Fig. 8

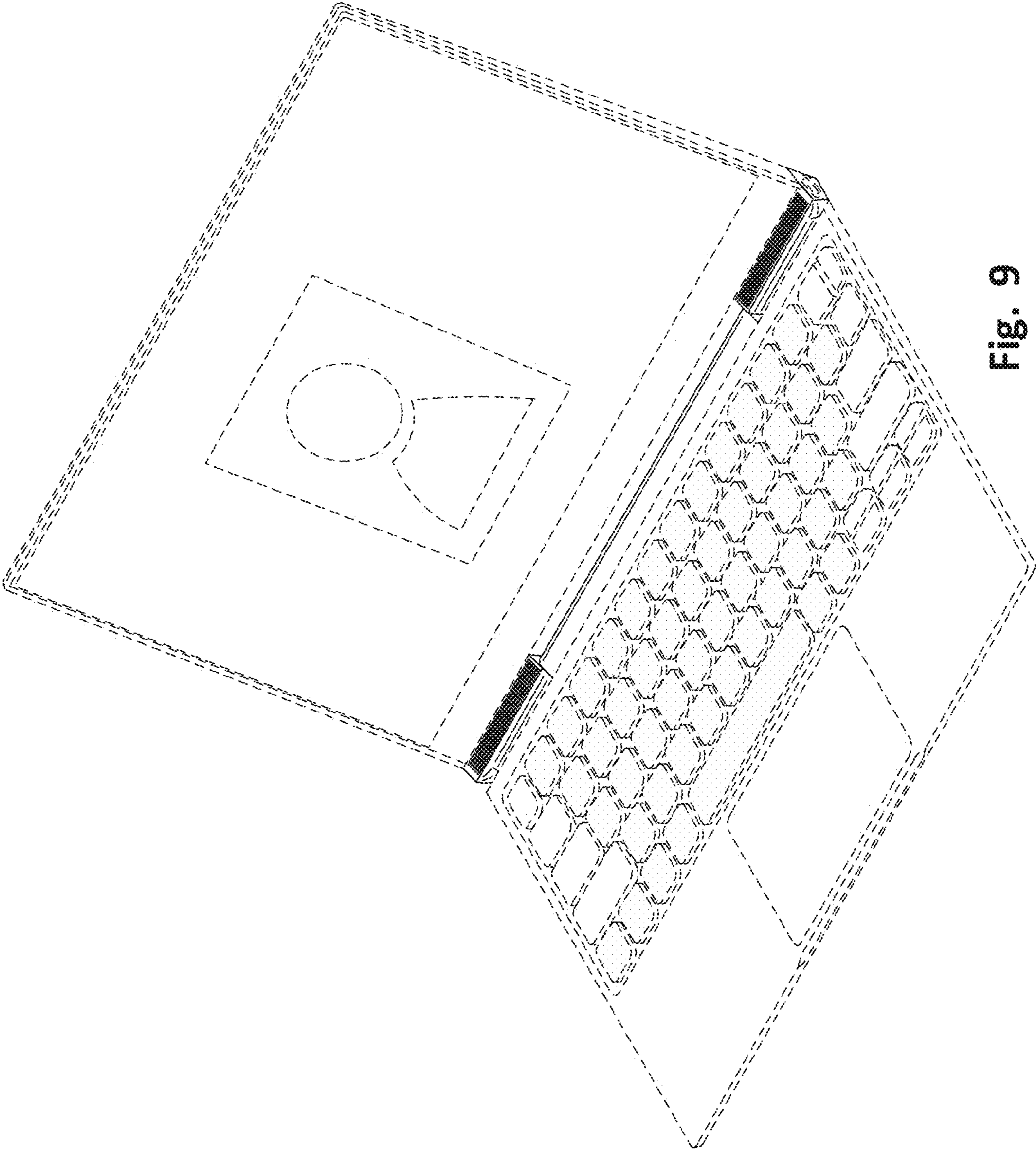


Fig. 9

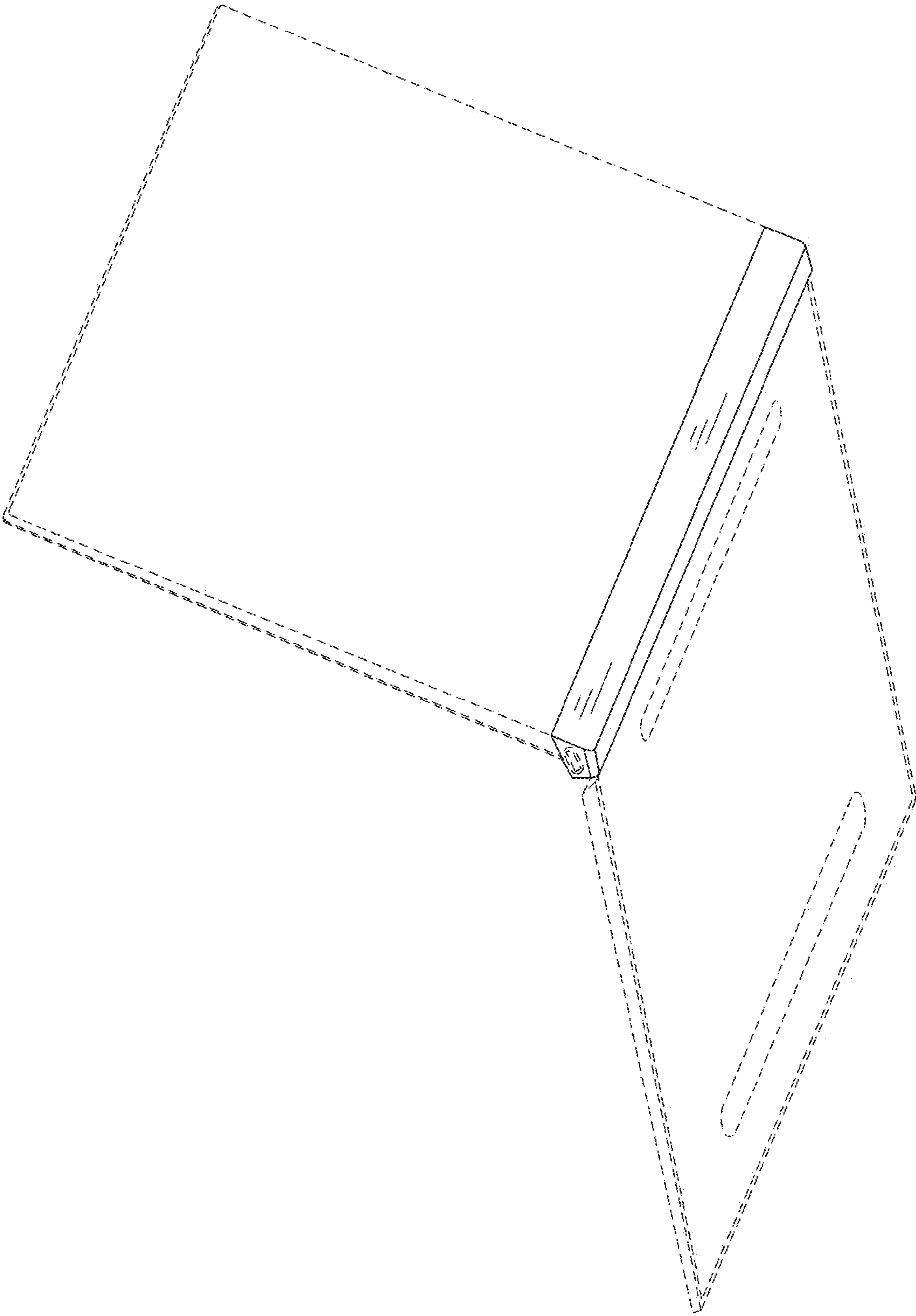


Fig. 10

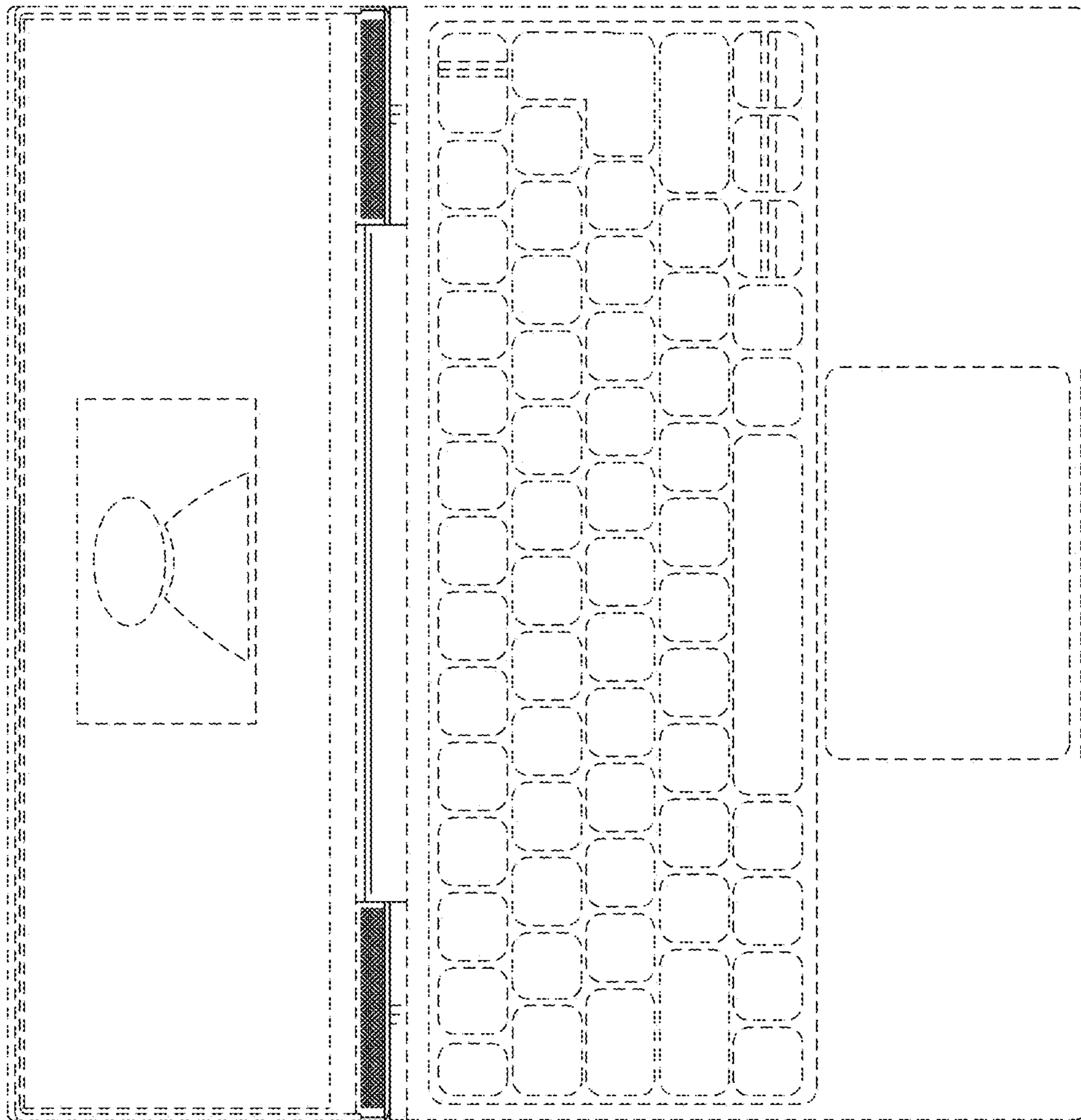


Fig. 11

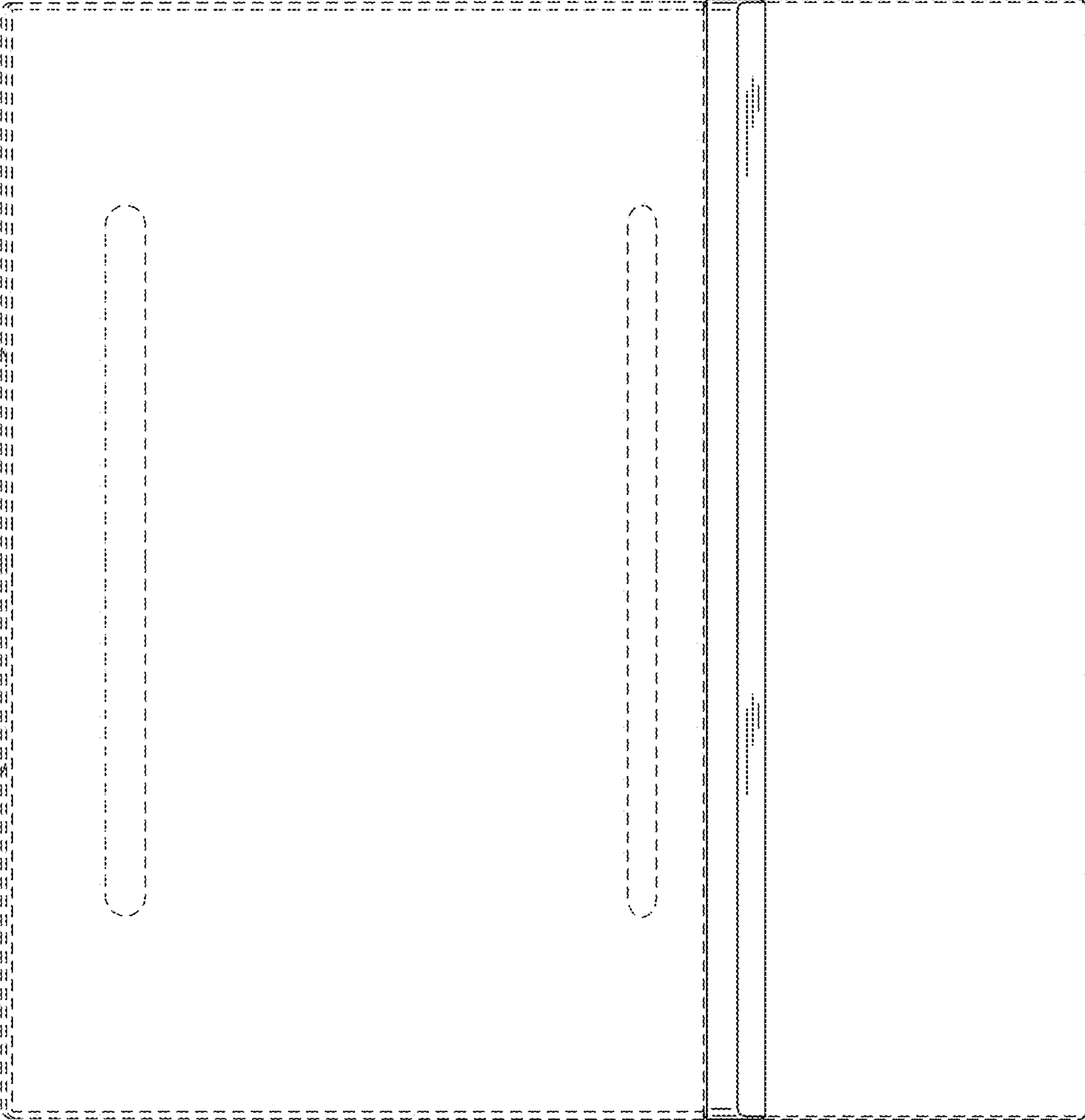


FIG. 12

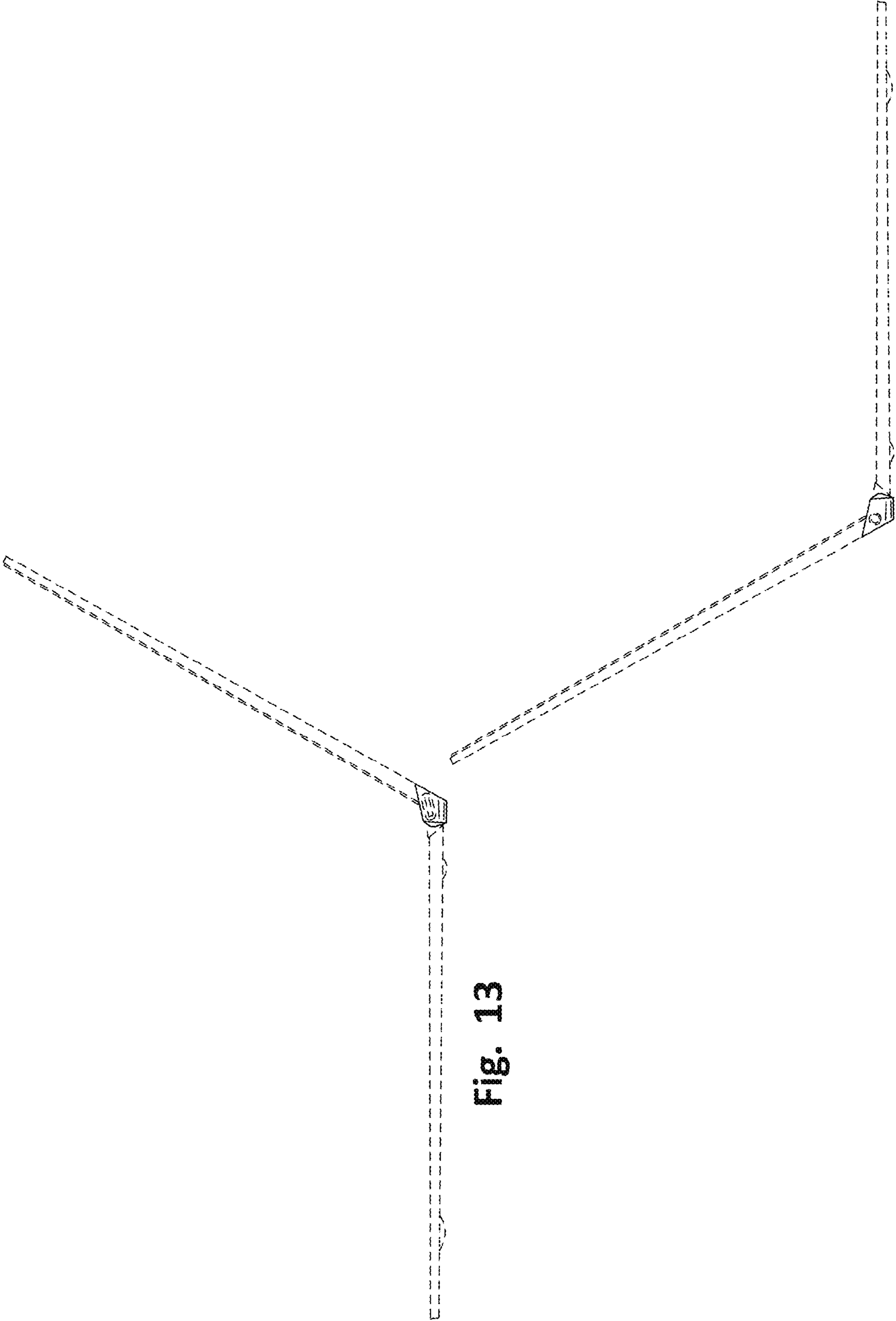


Fig. 13

Fig. 14

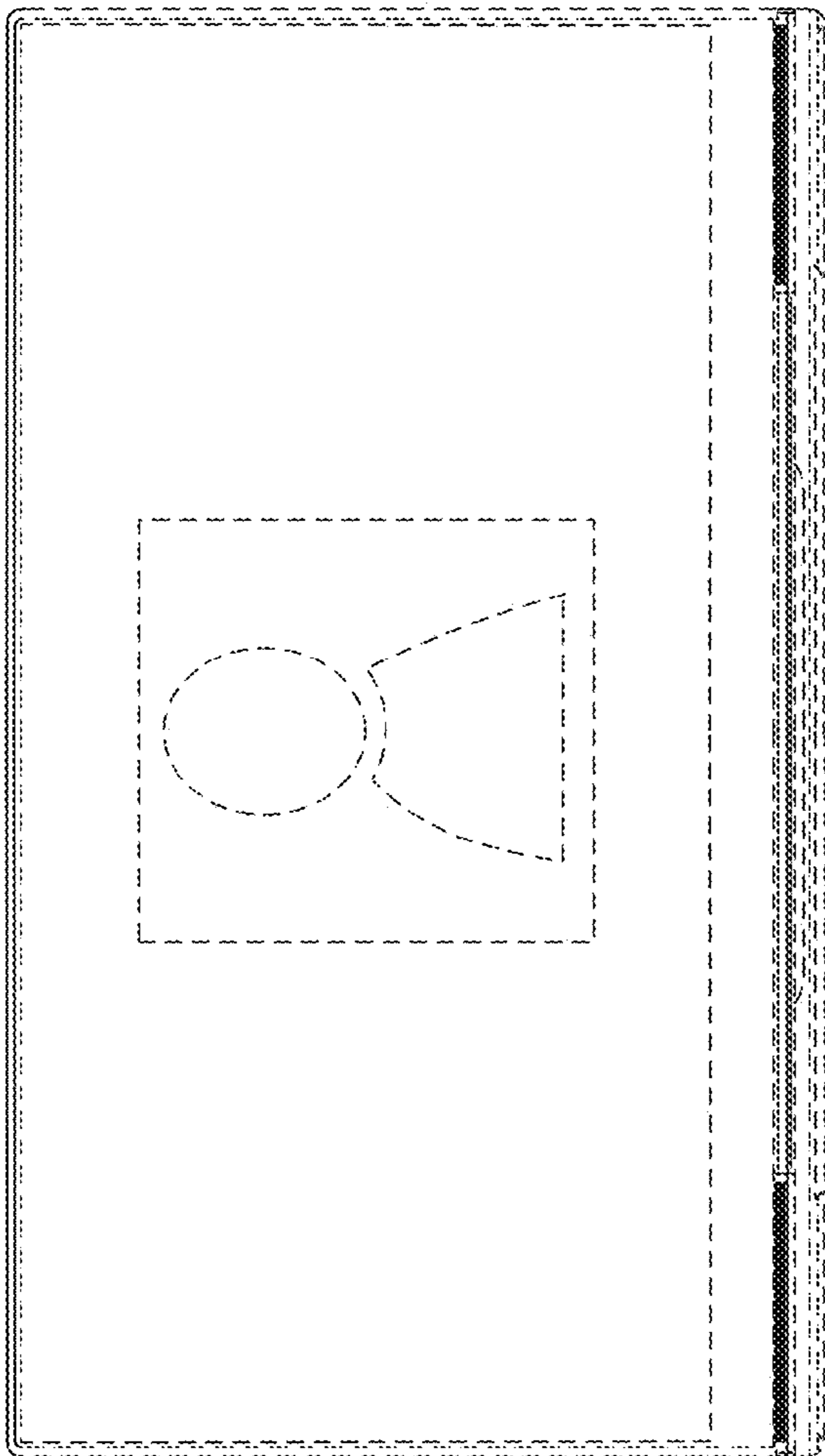


Fig. 15

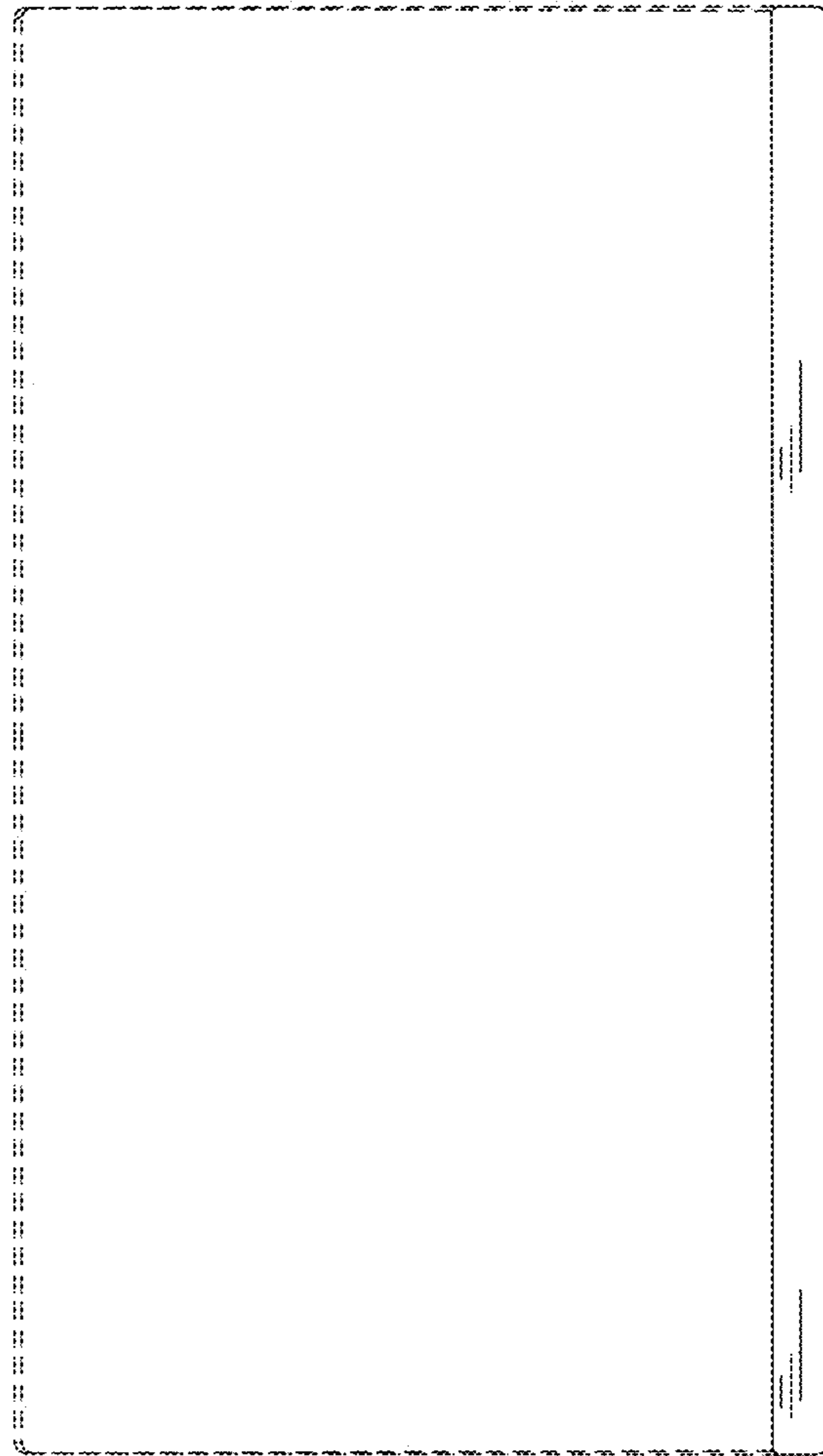


Fig. 16