



US00D874453S

(12) **United States Design Patent**
Bocci

(10) **Patent No.:** **US D874,453 S**

(45) **Date of Patent:** **** Feb. 4, 2020**

(54) **DESKTOP STAND FOR MOBILE ELECTRONIC DEVICES**

(71) Applicant: **Christopher Bocci**, Ipswich, MA (US)

(72) Inventor: **Christopher Bocci**, Ipswich, MA (US)

(**) Term: **15 Years**

(21) Appl. No.: **29/578,391**

(22) Filed: **Sep. 21, 2016**

(51) **LOC (12) Cl.** **14-03**

(52) **U.S. Cl.**
USPC **D14/253**

(58) **Field of Classification Search**
USPC D14/253, 251, 252, 447, 451, 452, 440, D14/434, 458, 432, 439, 457, 460, 238.1, D14/140, 142, 149, 217, 148, 140.8, D14/140.11, 209.1, 151, 140.9, 250, 238; D13/107, 108; D12/415, 223, 114, 420, D12/417, 407, 177; D3/218; D16/242-245, 250, 237, 203, 214, 219; D6/675, 672, 673, 675.4, 553, 676, 310, D6/406.3, 406.4, 406.5, 406.6, 407, 567
CPC B60R 2011/0008; B60R 11/02; B60R 11/0241; B60R 11/0258; B60R 11/0252; B60R 2011/0294; F16M 11/00; F16M 11/04; F16M 11/041; F16M 11/02; F16M 11/06; F16M 13/00; H04M 1/02; H04M 1/04; H04M 1/11; H04M 1/12; A47F 7/022; B62J 11/00; H05K 7/00; G03B 17/56

See application file for complete search history.

(56) **References Cited**

U.S. PATENT DOCUMENTS

1,859,646	A	5/1932	Kpfelbaum
2,304,795	A	12/1942	Bricker
2,611,427	A	9/1952	Du Mais
2,806,669	A	9/1957	Vernon

D566,181	S	4/2008	Gerules	
7,568,668	B2	8/2009	Taekema	
D636,395	S *	4/2011	Anderson	D13/107
D640,708	S *	6/2011	Lee	D14/447
D645,819	S *	9/2011	Lin	D13/118
D652,422	S *	1/2012	Cheng	D14/253
D658,167	S *	4/2012	Buesseler	D14/251
D658,168	S *	4/2012	Werth	D14/253
D658,170	S *	4/2012	Chen	D14/253
8,186,639	B2	5/2012	Wang	
D711,890	S *	8/2014	Stener	D14/447
8,899,543	B2	12/2014	Liang	
8,961,220	B2	2/2015	Hilbourne	

(Continued)

Primary Examiner — Janice Hallmark

(74) *Attorney, Agent, or Firm* — Hamilton, Brook, Smith & Reynolds, P.C.

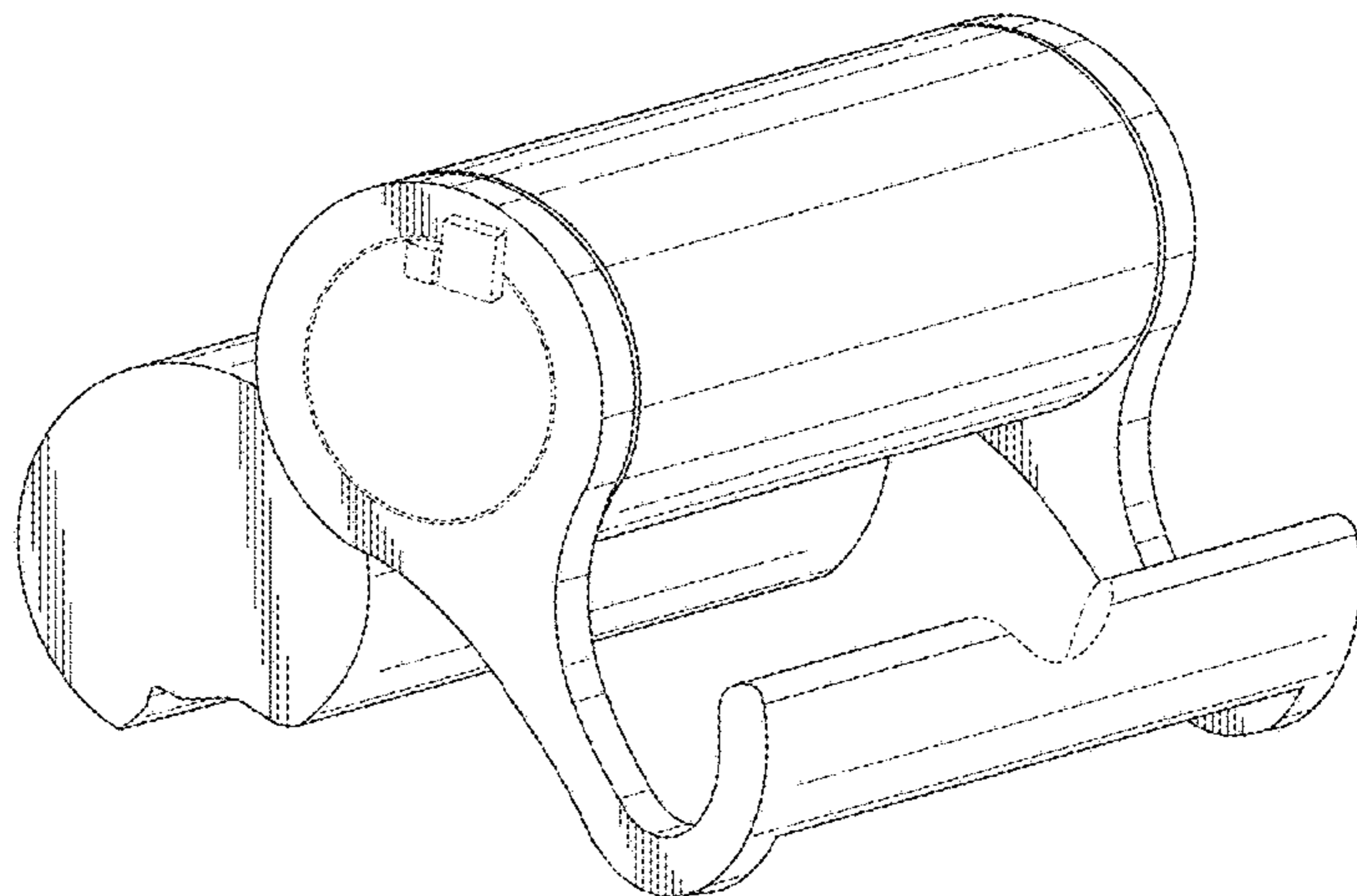
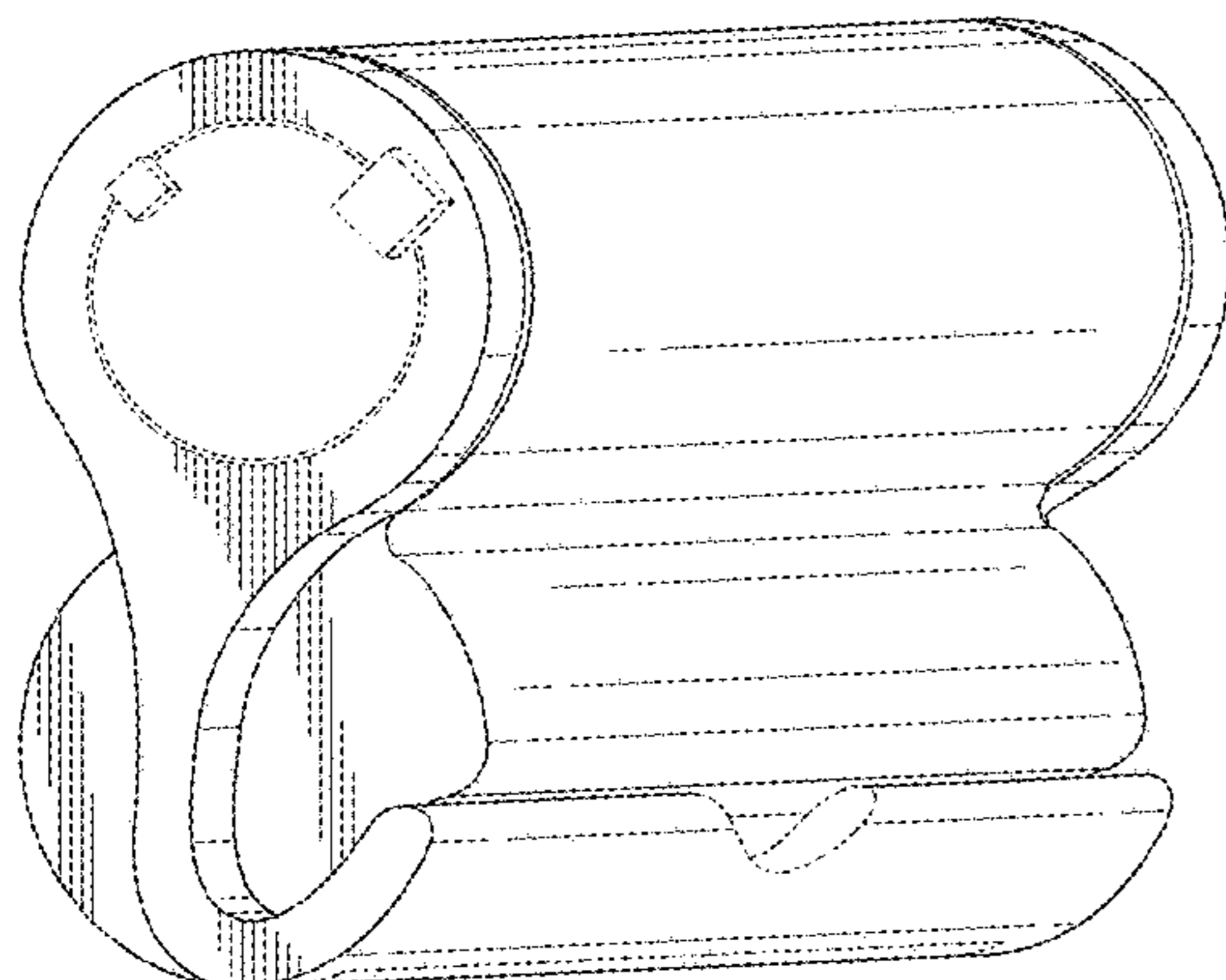
(57) **CLAIM**

An ornamental design for a desktop stand for mobile electronic devices, as shown and described.

DESCRIPTION

FIG. 1 is a front perspective view of a desktop stand for mobile electronic devices, showing my new design, in a closed position
 FIG. 2 is a rear perspective view thereof;
 FIG. 3 is a left side view thereof;
 FIG. 4 is a right side view thereof;
 FIG. 5 is a front view thereof;
 FIG. 6 is a rear view thereof;
 FIG. 7 is a top view thereof;
 FIG. 8 is a bottom view thereof;
 FIG. 9 is a perspective view of the desktop stand for mobile electronic devices, in an opened position;
 FIG. 10 is a right side view thereof;
 FIG. 11 is a left side view thereof;
 FIG. 12 is a front view thereof;
 FIG. 13 is a rear view thereof;
 FIG. 14 is a top view thereof; and,
 FIG. 15 is a bottom view thereof.

1 Claim, 15 Drawing Sheets



(56)

References Cited

U.S. PATENT DOCUMENTS

D739,853	S *	9/2015	Lee	D14/253
9,121,541	B2 *	9/2015	Jones	F16M 13/00
9,310,840	B2	4/2016	Beatty		
D761,782	S *	7/2016	Kitching	D14/253
9,395,755	B2	7/2016	Lin		
D766,886	S *	9/2016	Lee	D14/253
D769,248	S *	10/2016	Biondo	D14/447
9,689,523	B2	6/2017	Chardon		
2006/0108493	A1	5/2006	Paris		
2015/0260333	A1	9/2015	Polyakov		
2017/0090516	A1	3/2017	Ku		
2018/0070719	A1	3/2018	Bocci		

* cited by examiner

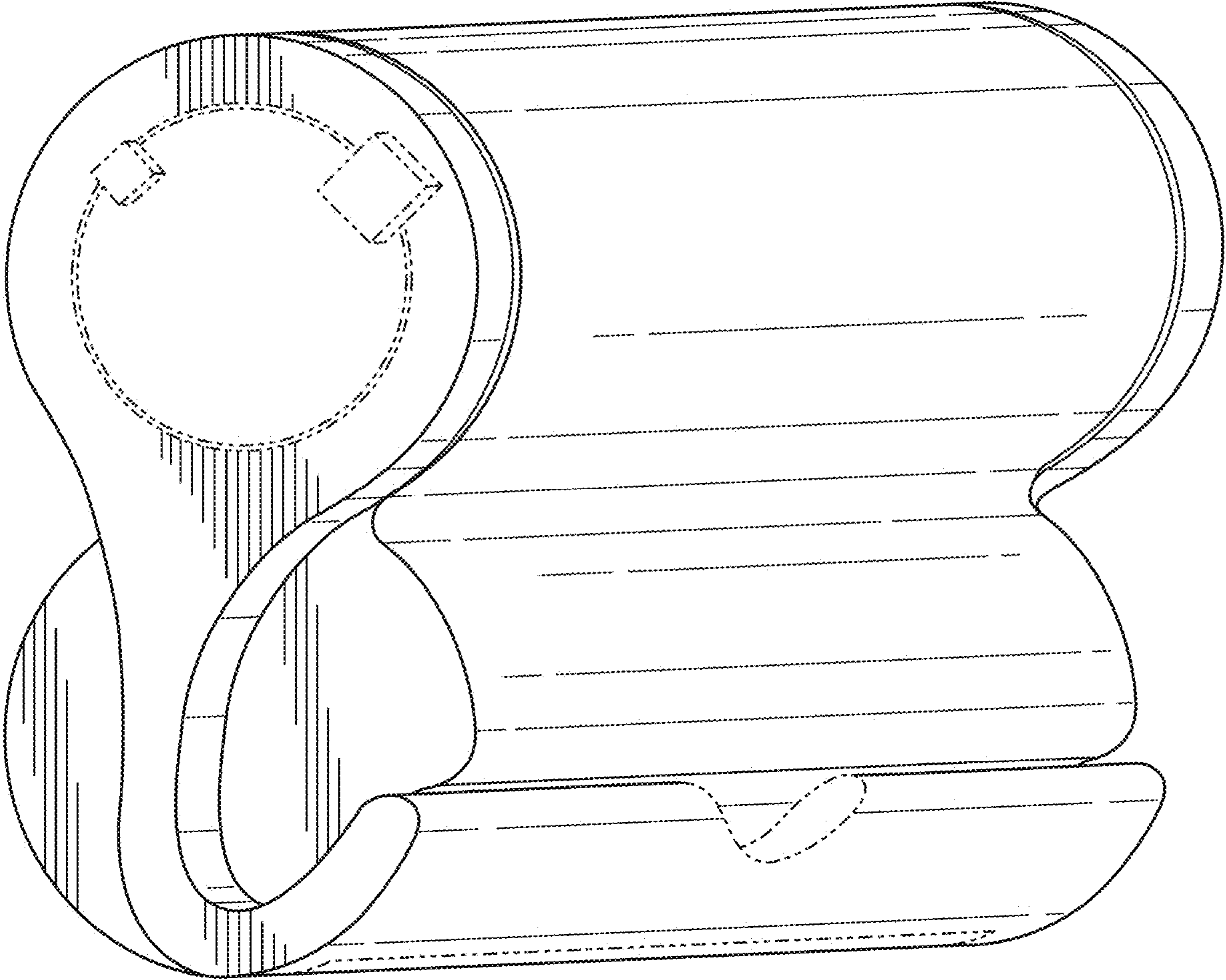


FIG. 1

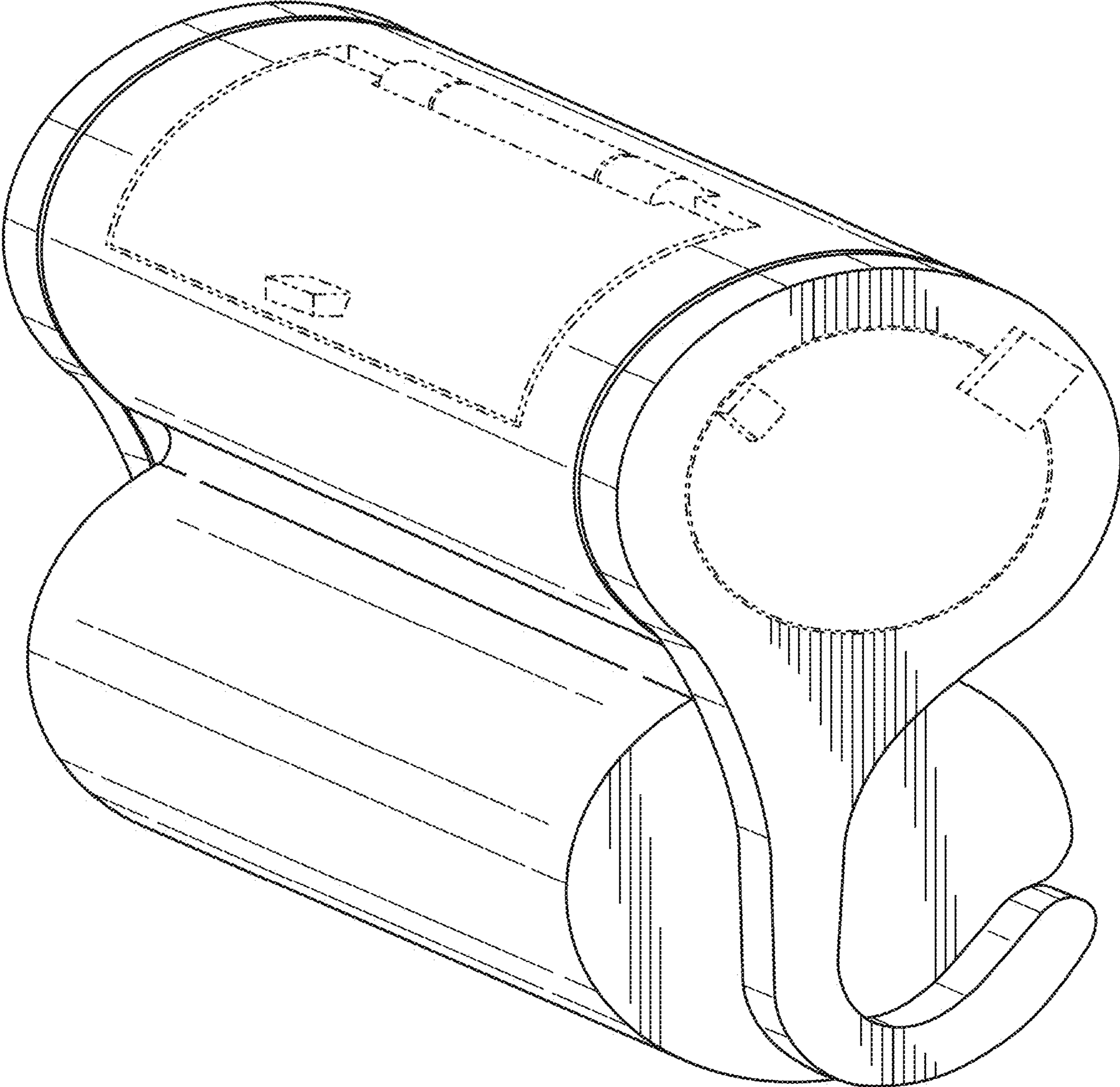


FIG. 2

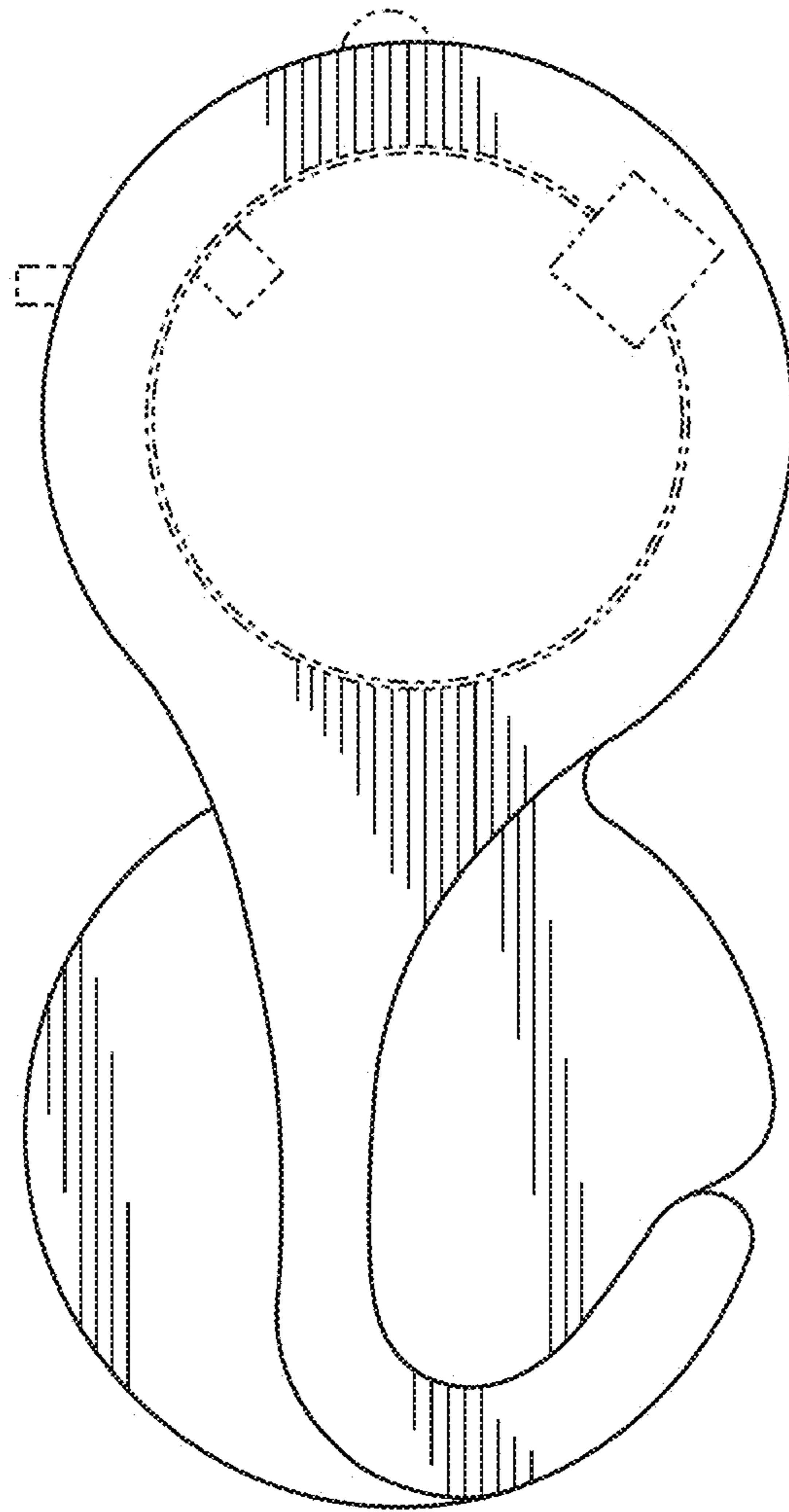


FIG. 3

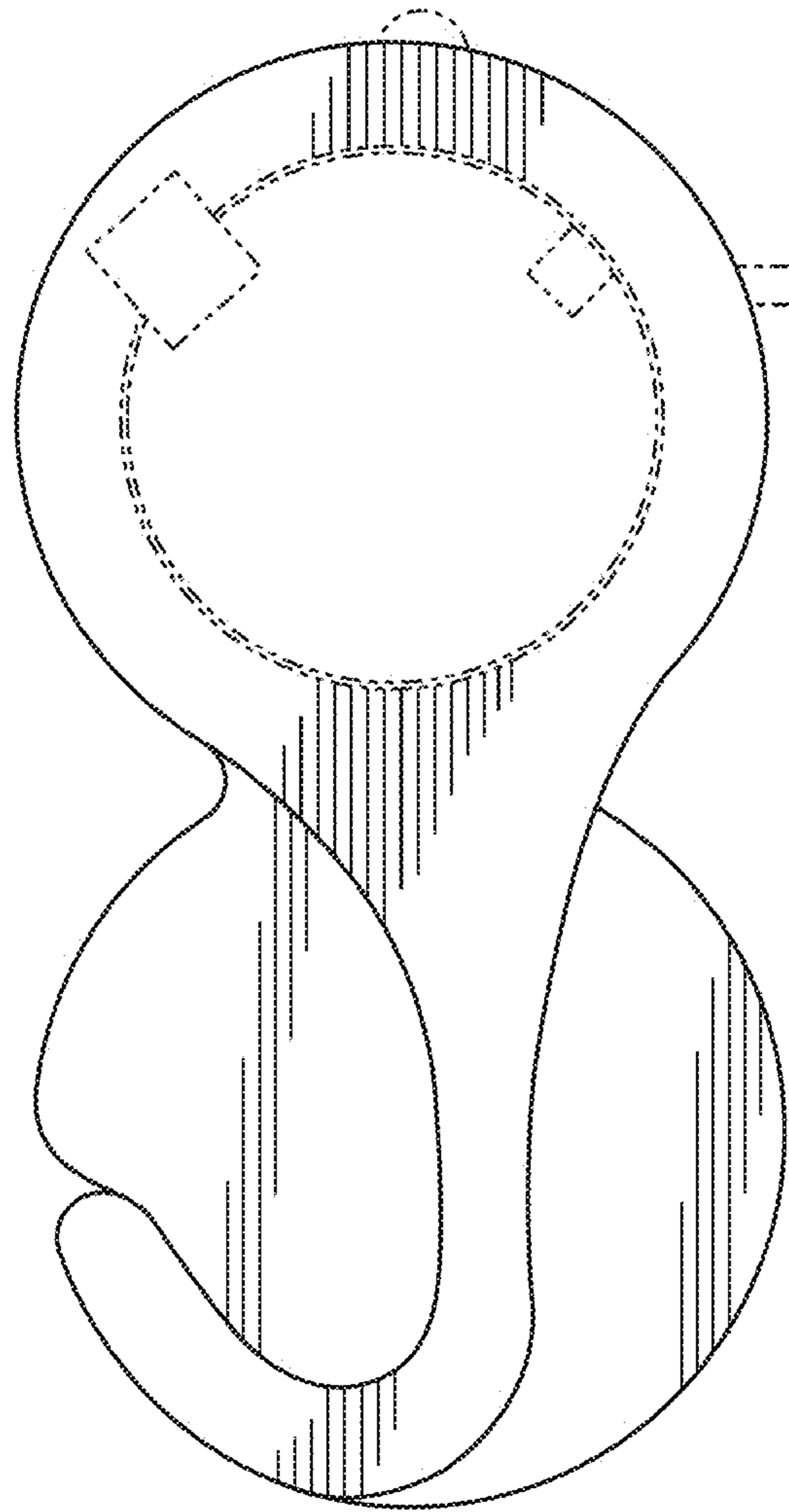


FIG. 4

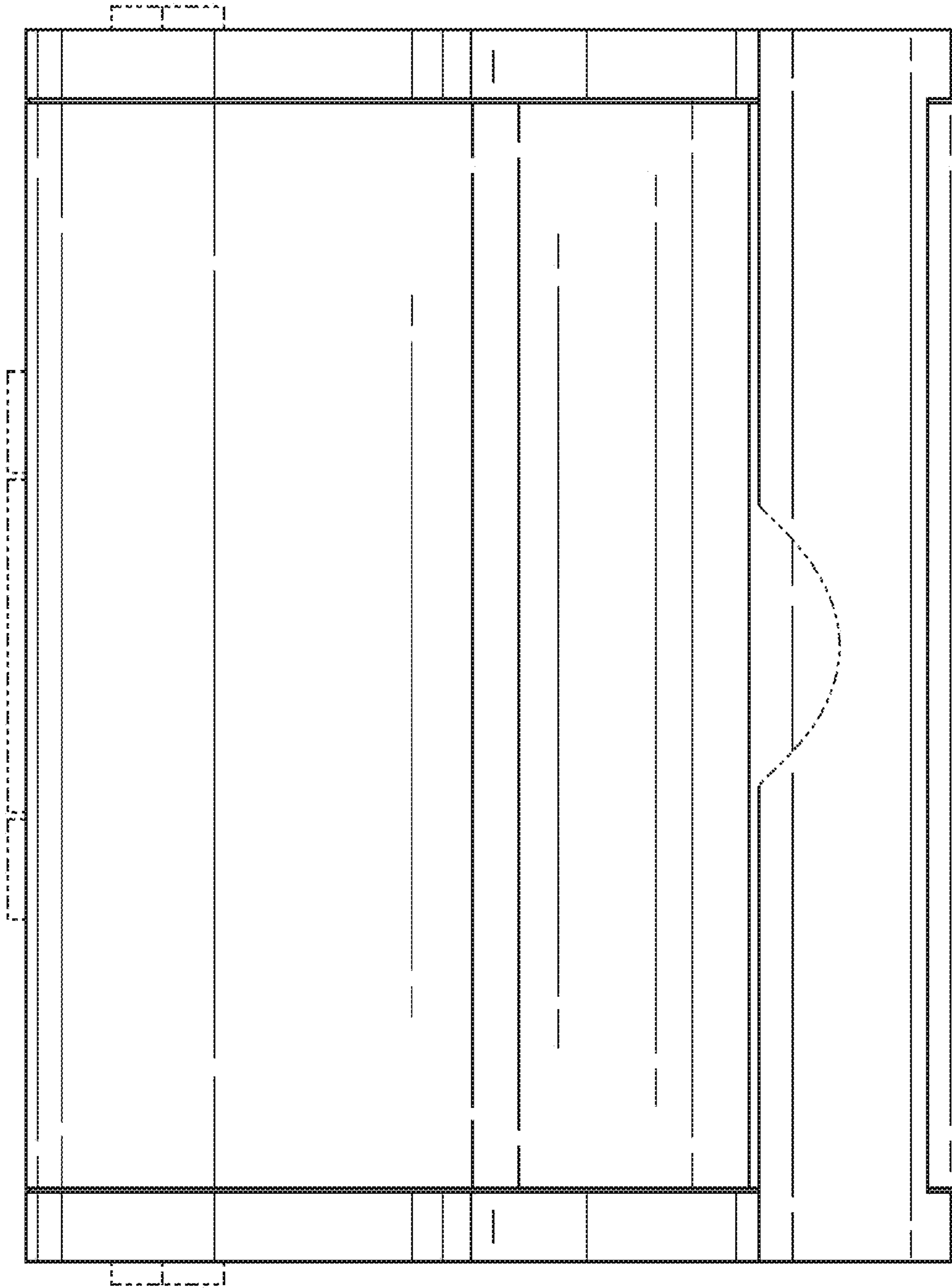


FIG. 5

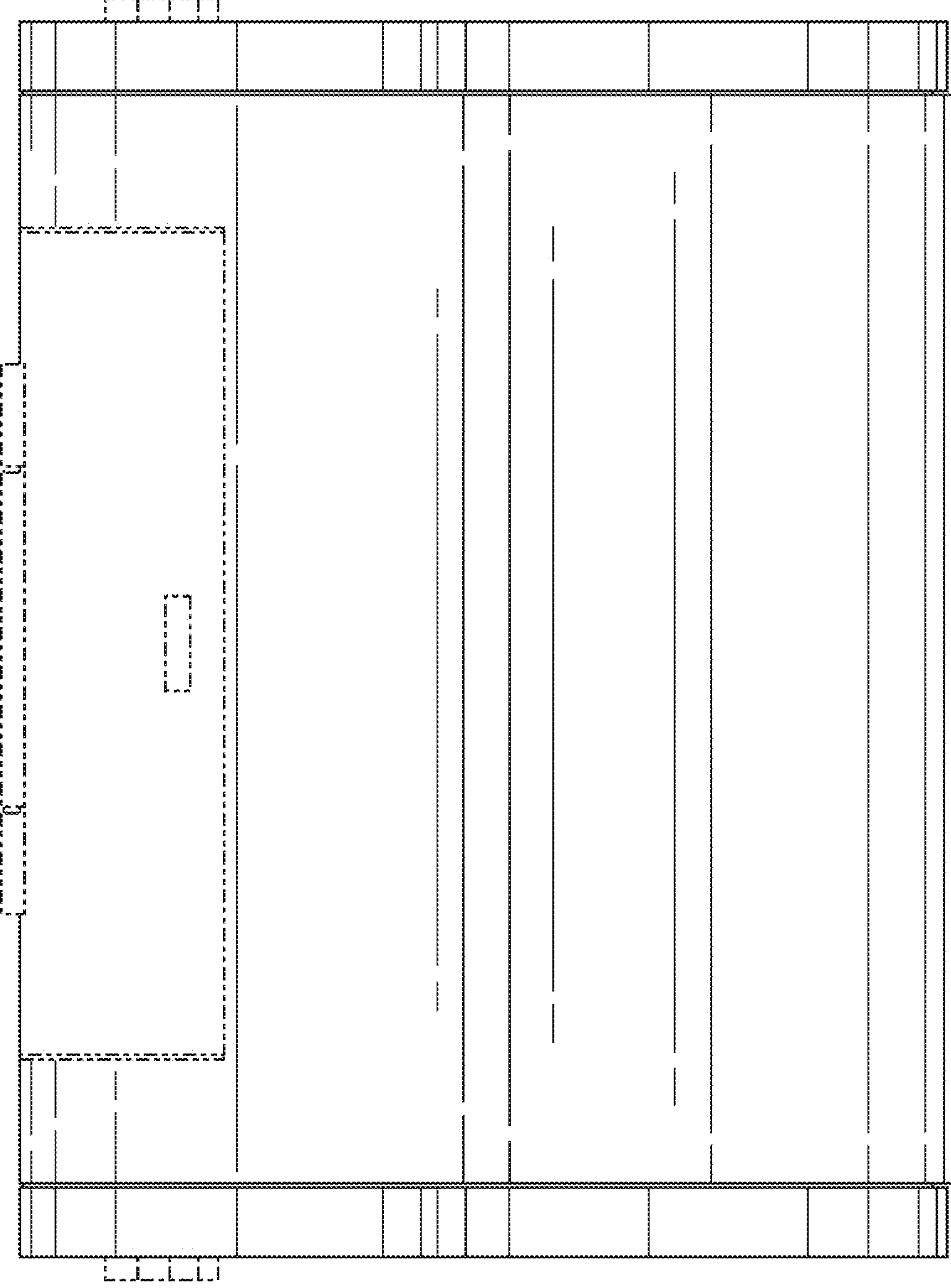


FIG. 6

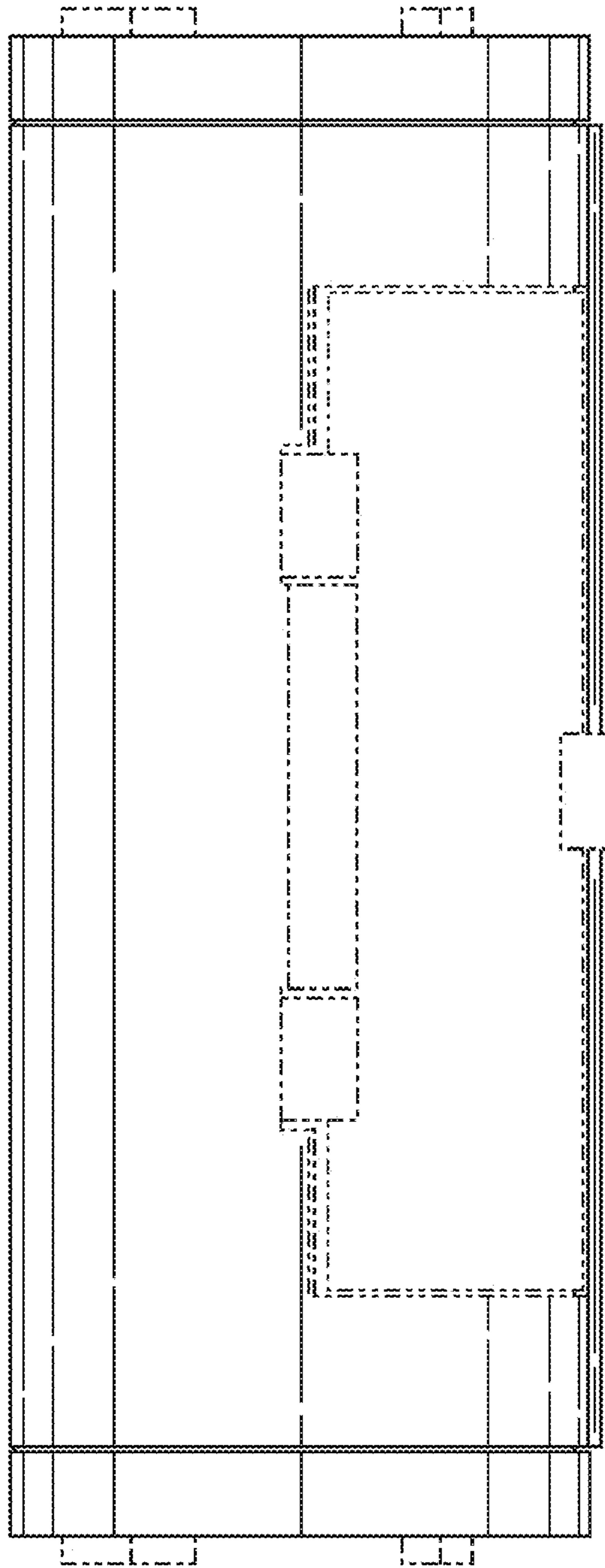


FIG. 7

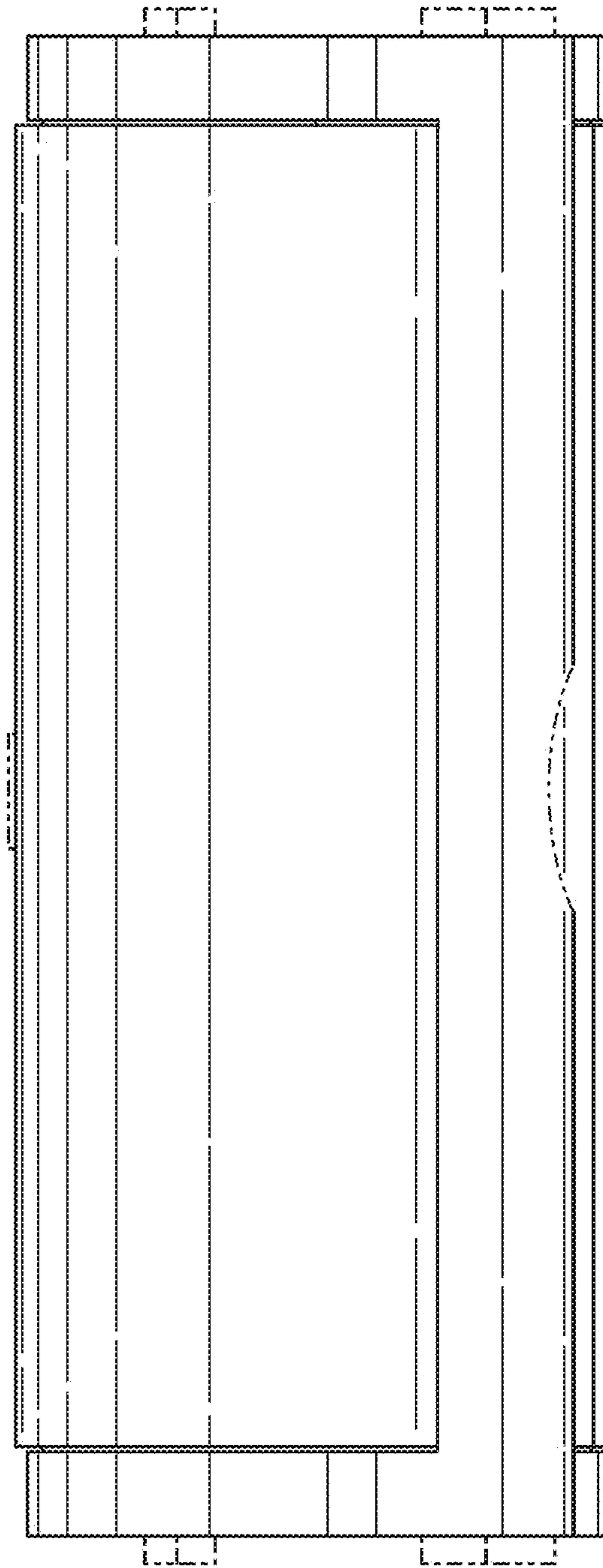


FIG. 8

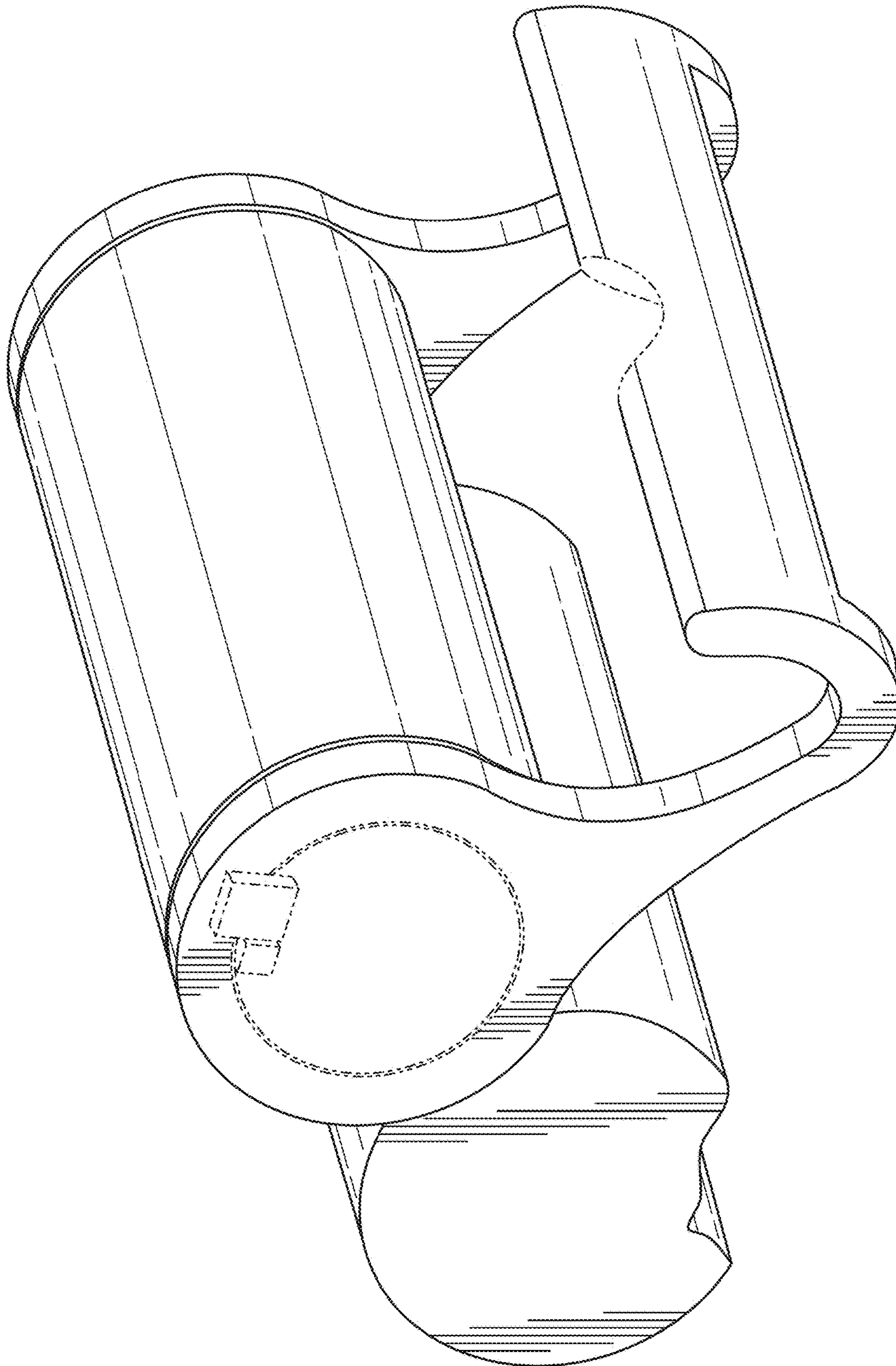


FIG. 9

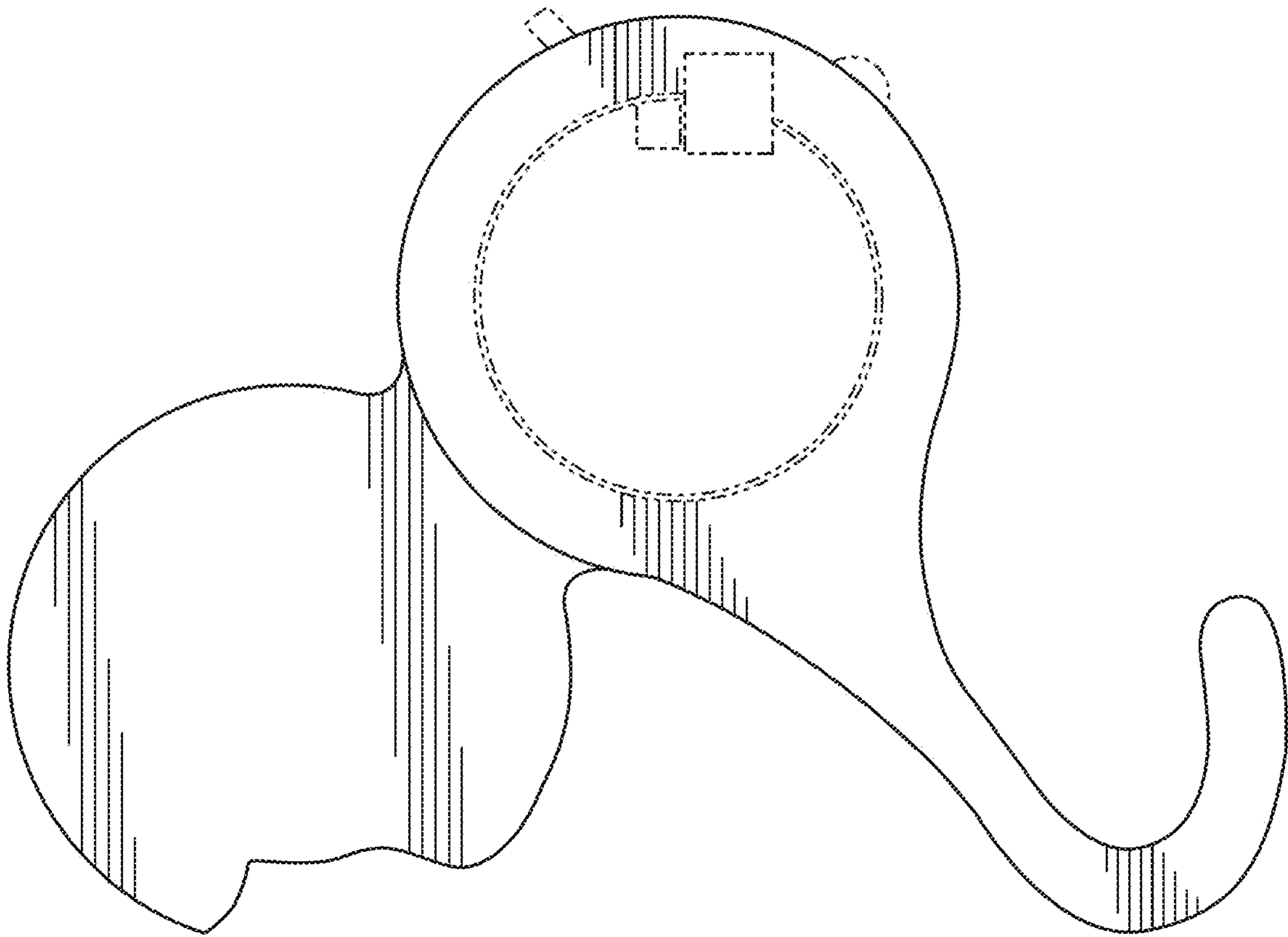


FIG. 10

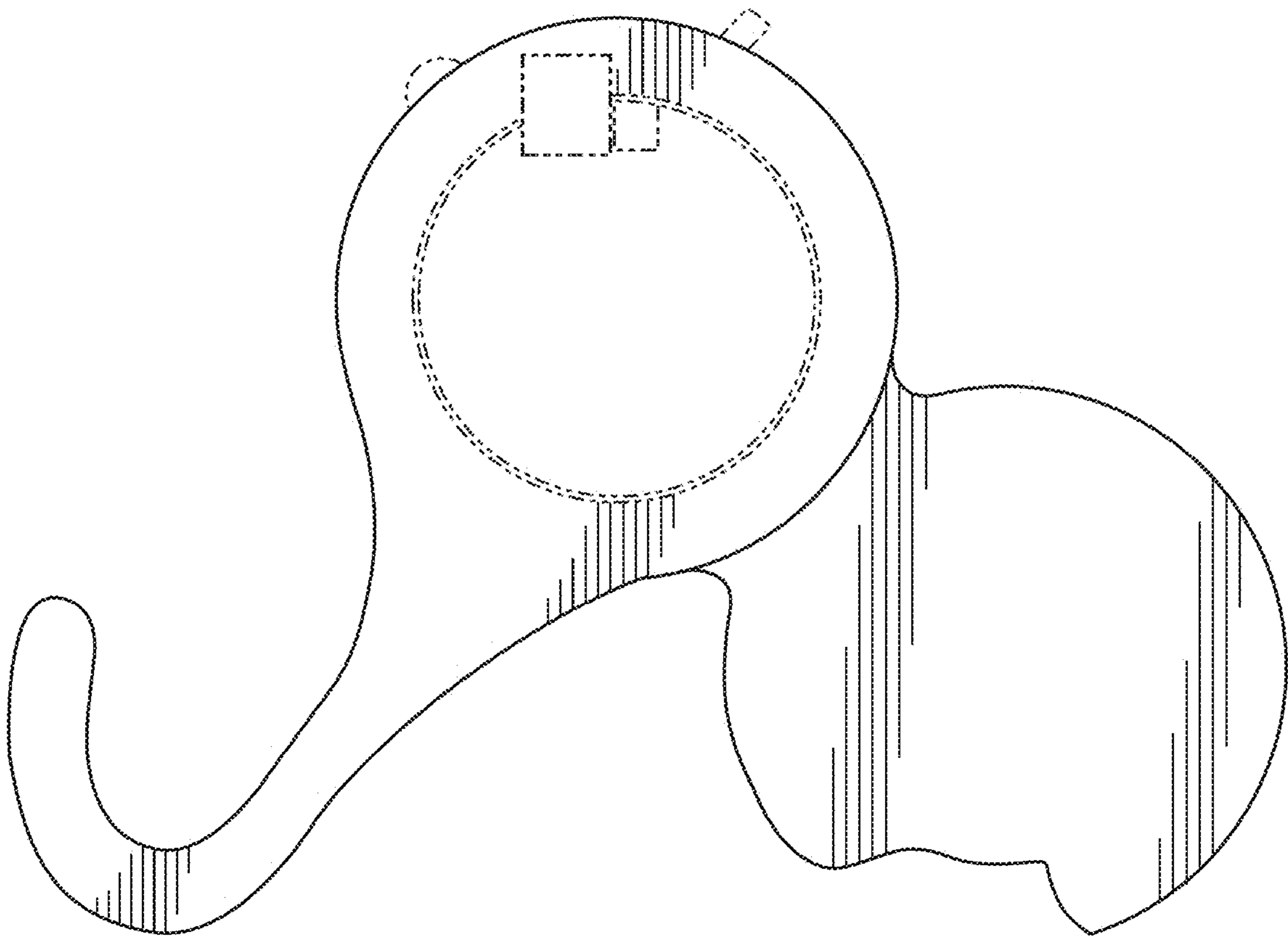


FIG. 11

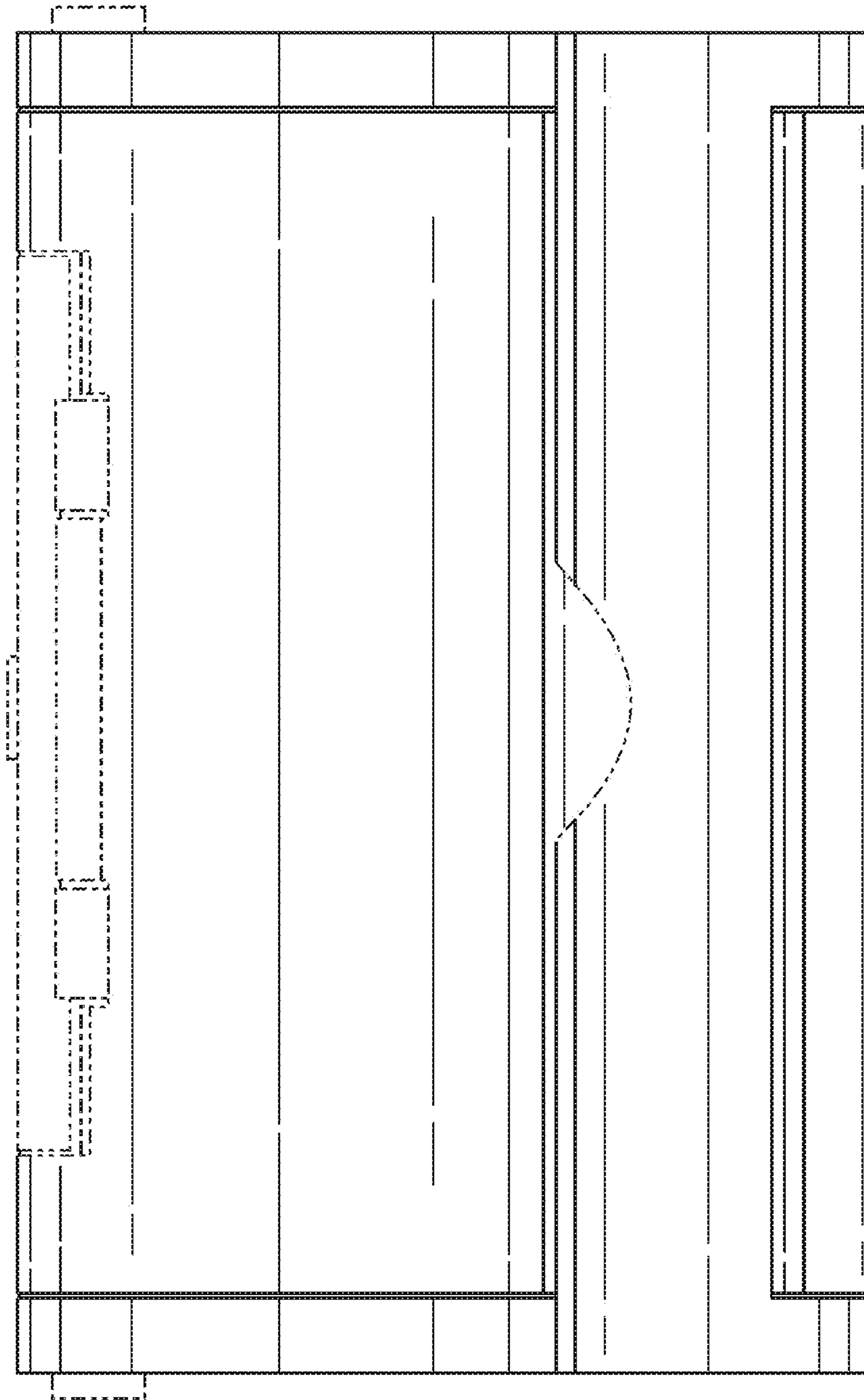


FIG. 12

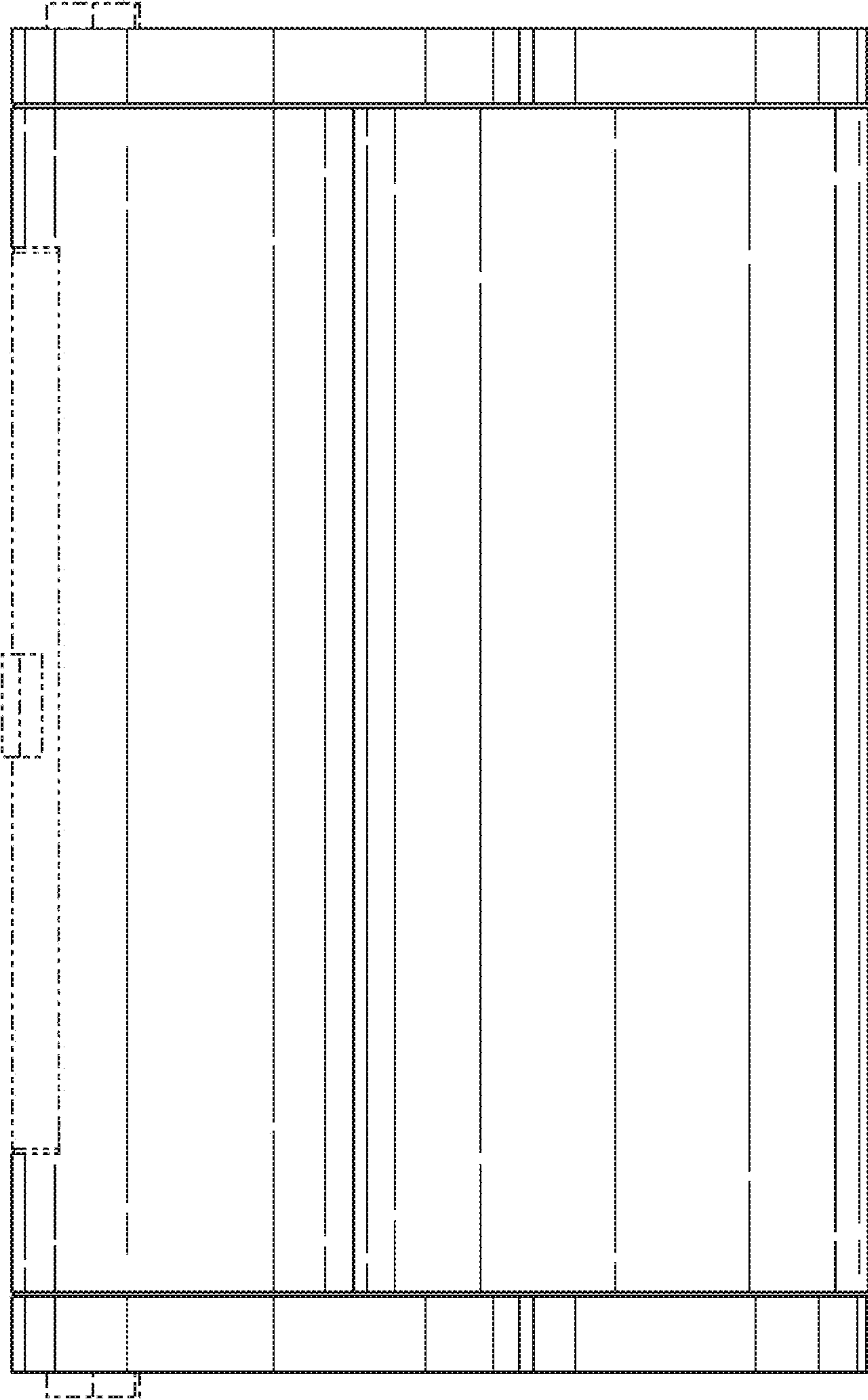


FIG. 13

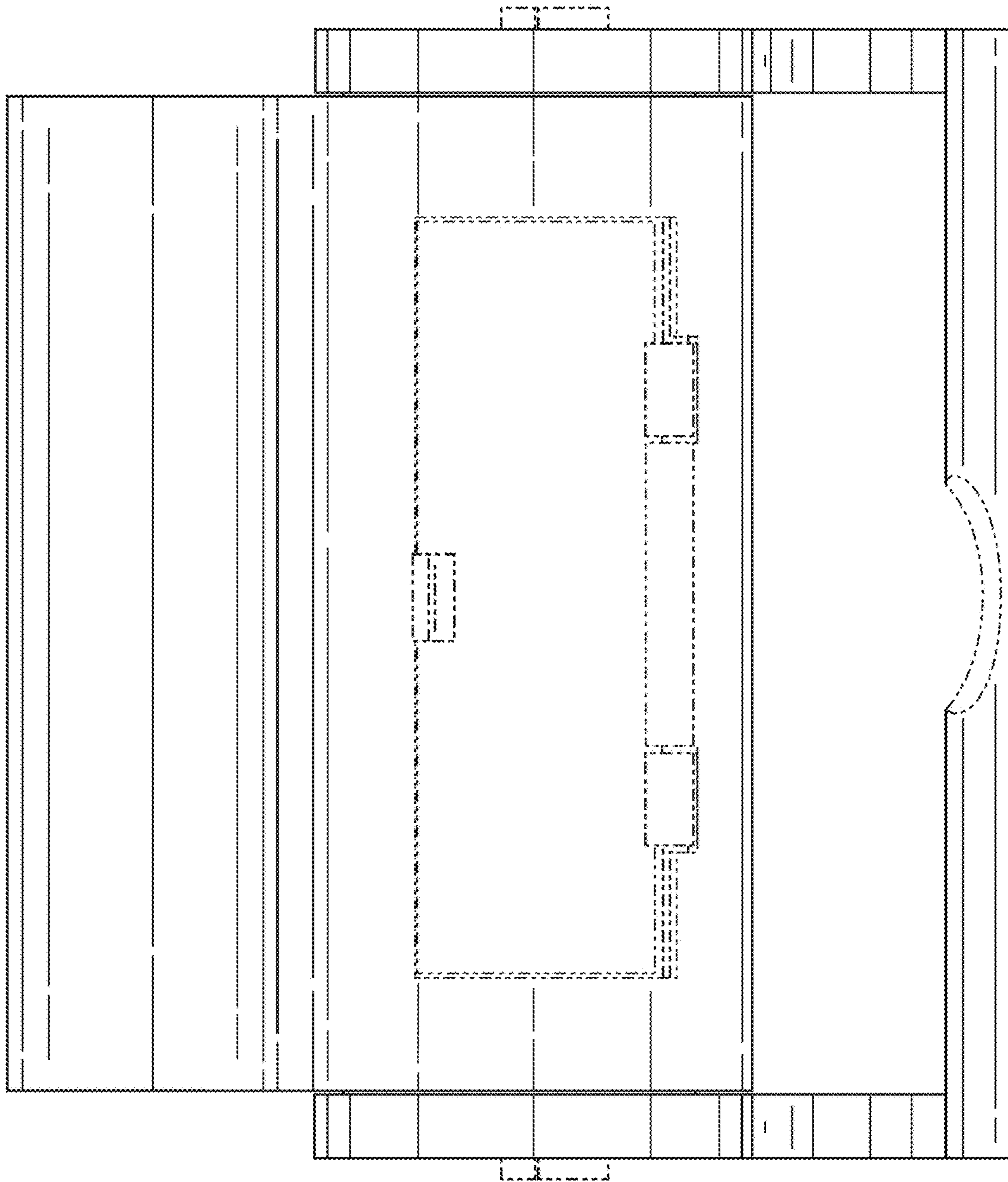


FIG. 14

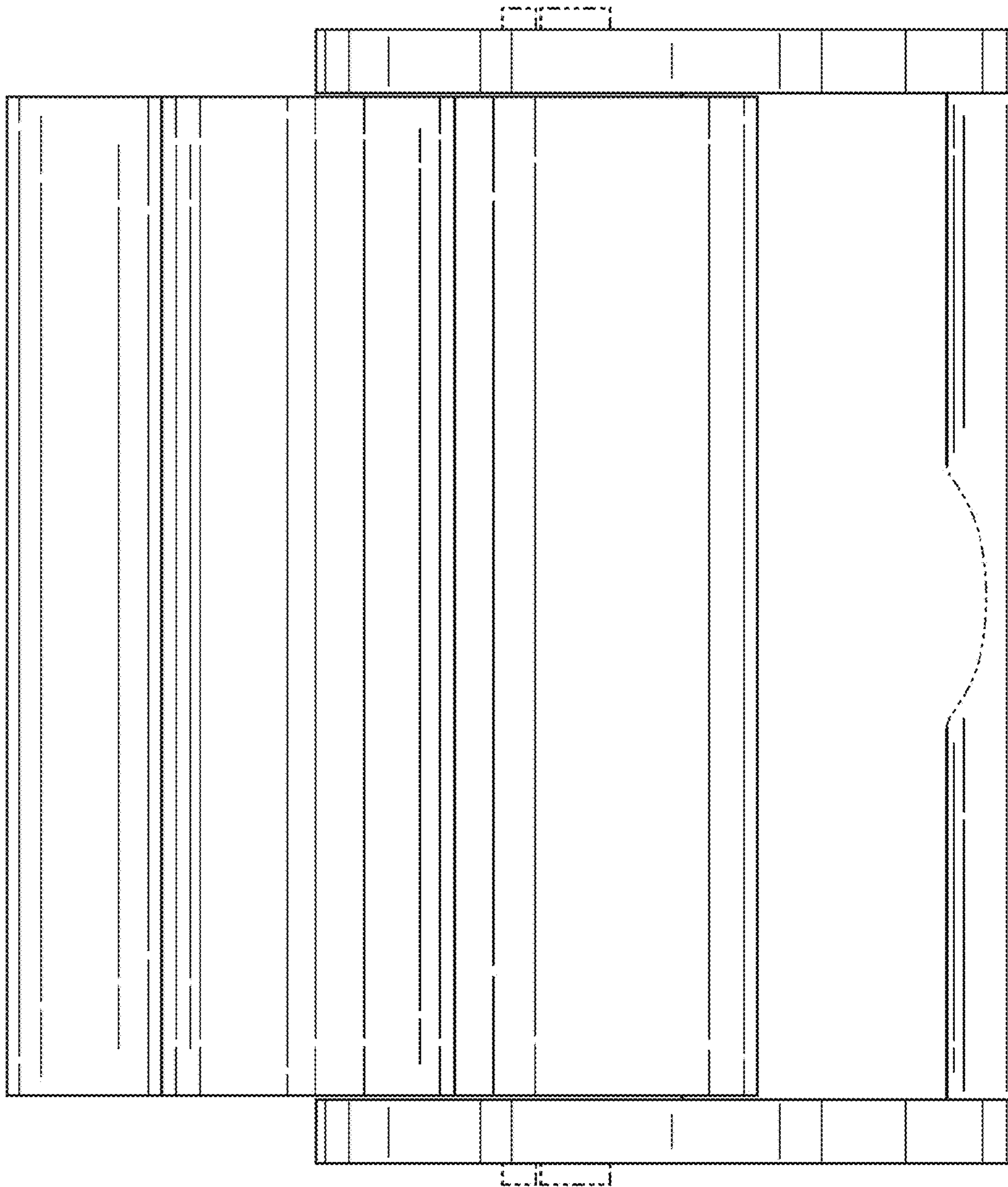


FIG. 15