

US00D874452S

(12) **United States Design Patent** (10) **Patent No.:** **US D874,452 S**  
**Chen** (45) **Date of Patent:** **\*\* Feb. 4, 2020**

(54) **WIRELESS HEADPHONES AND PHONE STAND**

(71) Applicant: **Xiaowei Chen**, Shenzhen, Guangdong (CN)

(72) Inventor: **Xiaowei Chen**, Shenzhen (CN)

(\*\*) Term: **15 Years**

(21) Appl. No.: **29/634,244**

(22) Filed: **Jan. 19, 2018**

(51) **LOC (12) Cl.** ..... **14-99**

(52) **U.S. Cl.**  
USPC ..... **D14/252; D14/447; D14/253**

(58) **Field of Classification Search**  
USPC ..... D14/251-254, 217, 224, 224.1, 238.1, D14/299, 434, 447, 451-452, 483; D12/400, 415-426, 426.1, 114, 223; D8/394; D6/513, 553, 567; D3/218; D16/242, 245; D10/74  
CPC ..... B60R 11/00; B60R 11/02; B60R 11/0241; B60R 11/0252; B60R 2011/0005; B60R 2011/0008; H04M 1/026; H04M 1/0266; H04B 1/3877; A45F 2200/0516; A45F 2200/0525; H05K 5/0204; F16M 13/02; F16M 13/022; F16M 13/04; F16M 11/04; F16M 11/041; F16B 2/12; H01F 7/0252; G03B 17/561; G03B 17/563

See application file for complete search history.

(56) **References Cited**

**U.S. PATENT DOCUMENTS**

D703,676 S \* 4/2014 Smith ..... D14/447  
D756,367 S \* 5/2016 Kim ..... D14/447  
D779,478 S \* 2/2017 Justiss ..... D14/253  
D789,348 S \* 6/2017 Kim ..... D14/250  
D791,861 S \* 7/2017 Battle ..... D14/447  
D799,463 S \* 10/2017 Deng ..... D14/252

D816,027 S \* 4/2018 Chen ..... D13/108  
D824,916 S \* 8/2018 Chen ..... D14/447  
D825,575 S \* 8/2018 Gao ..... D14/447  
D839,869 S \* 2/2019 Wang ..... D14/253  
D840,997 S \* 2/2019 Chen ..... D14/253  
D842,305 S \* 3/2019 Gao ..... D14/447  
2017/0223862 A1 \* 8/2017 Justiss ..... F16M 11/10

**OTHER PUBLICATIONS**

Bestand 2 in 1 Qi Wireless Charger, Wireless Charging Stand, Amazon online, first review with picture Dec. 10, 2018, URL: <https://www.amazon.com/Aluminum-Charging-Wireless-Qi-Enabled-Included/dp/B07CK1HLH8/>, retrieved Apr. 22, 2019. <url: https://www.amazon.com="" aluminum-charging-wireless-qi-enabled-included="" dp.\*

\* cited by examiner

*Primary Examiner* — Jeffrey D Asch  
*Assistant Examiner* — Rebekah A Caruso  
(74) *Attorney, Agent, or Firm* — Juan Carlos A. Marquez; Marquez IP Law Office, PLLC

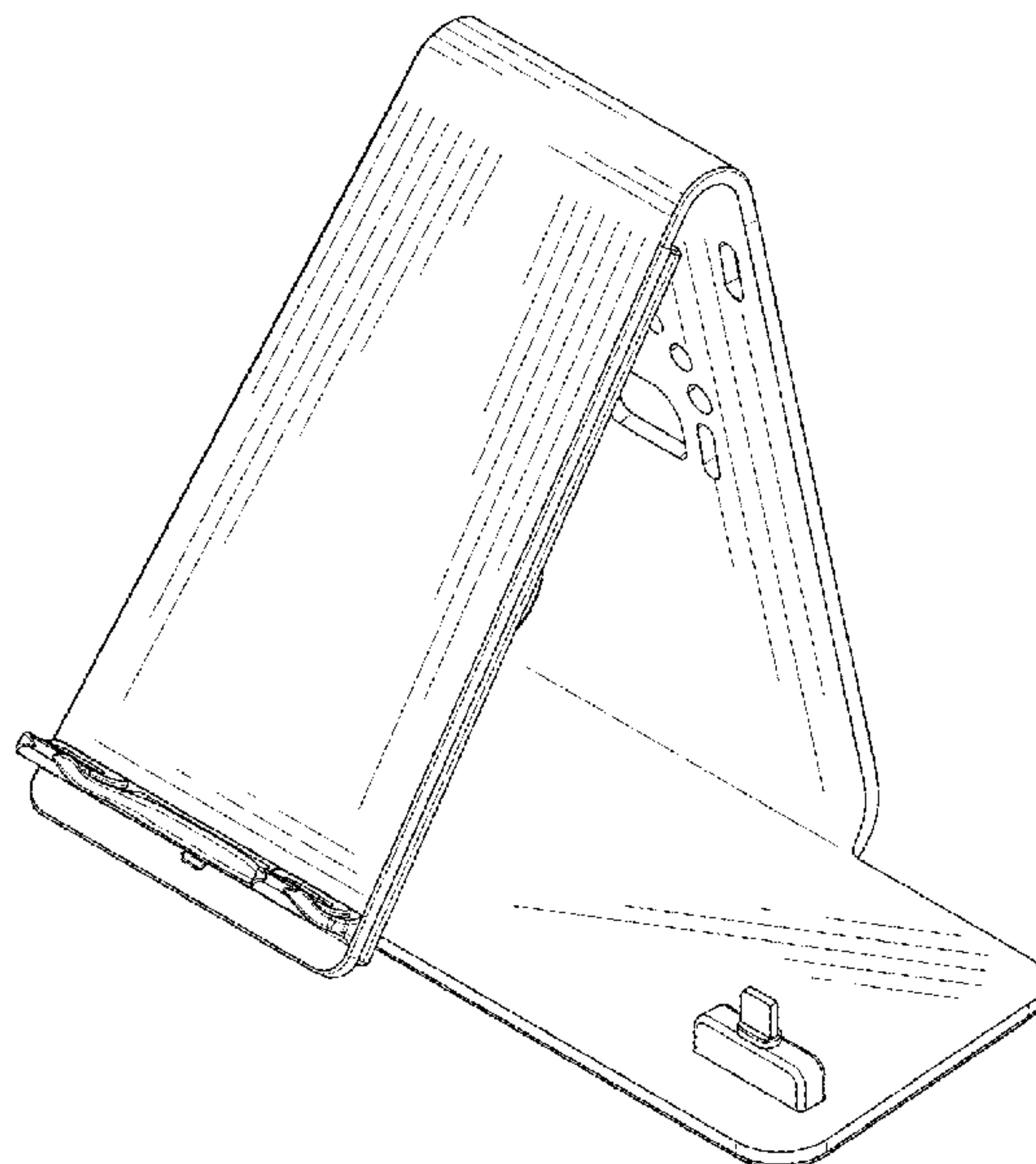
(57) **CLAIM**

The ornamental design for a wireless headphones and phone stand, as shown and described.

**DESCRIPTION**

FIG. 1 is a perspective view of a wireless headphones and phone stand depicting the claimed design; FIG. 2 is another perspective view thereof; FIG. 3 is a front elevation view thereof; FIG. 4 is a rear elevation view thereof; FIG. 5 is a right-side elevation view thereof; FIG. 6 is a left-side elevation view thereof; FIG. 7 is a top plan view thereof; and, FIG. 8 is a bottom plan view thereof.

**1 Claim, 8 Drawing Sheets**



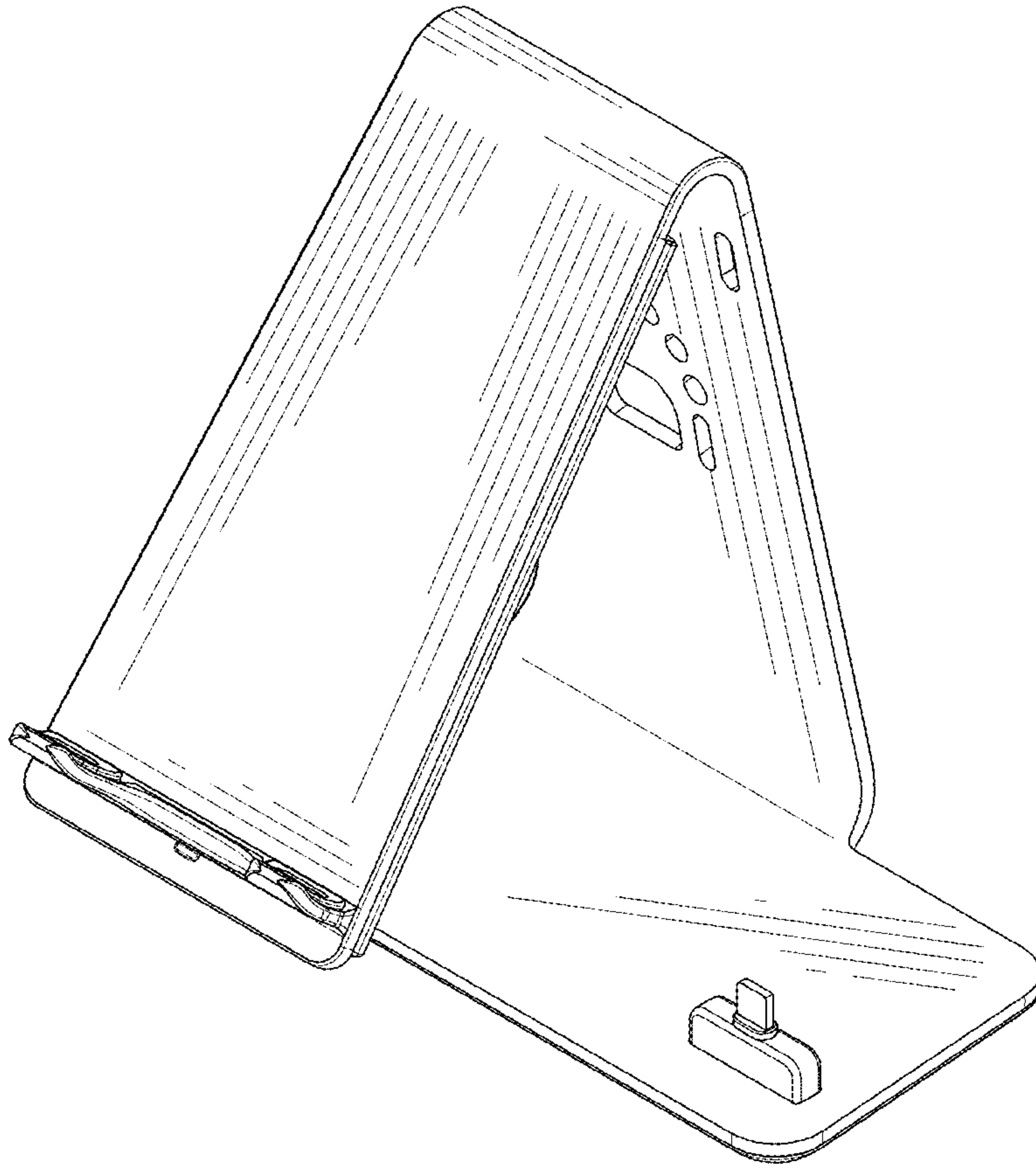


FIG. 1

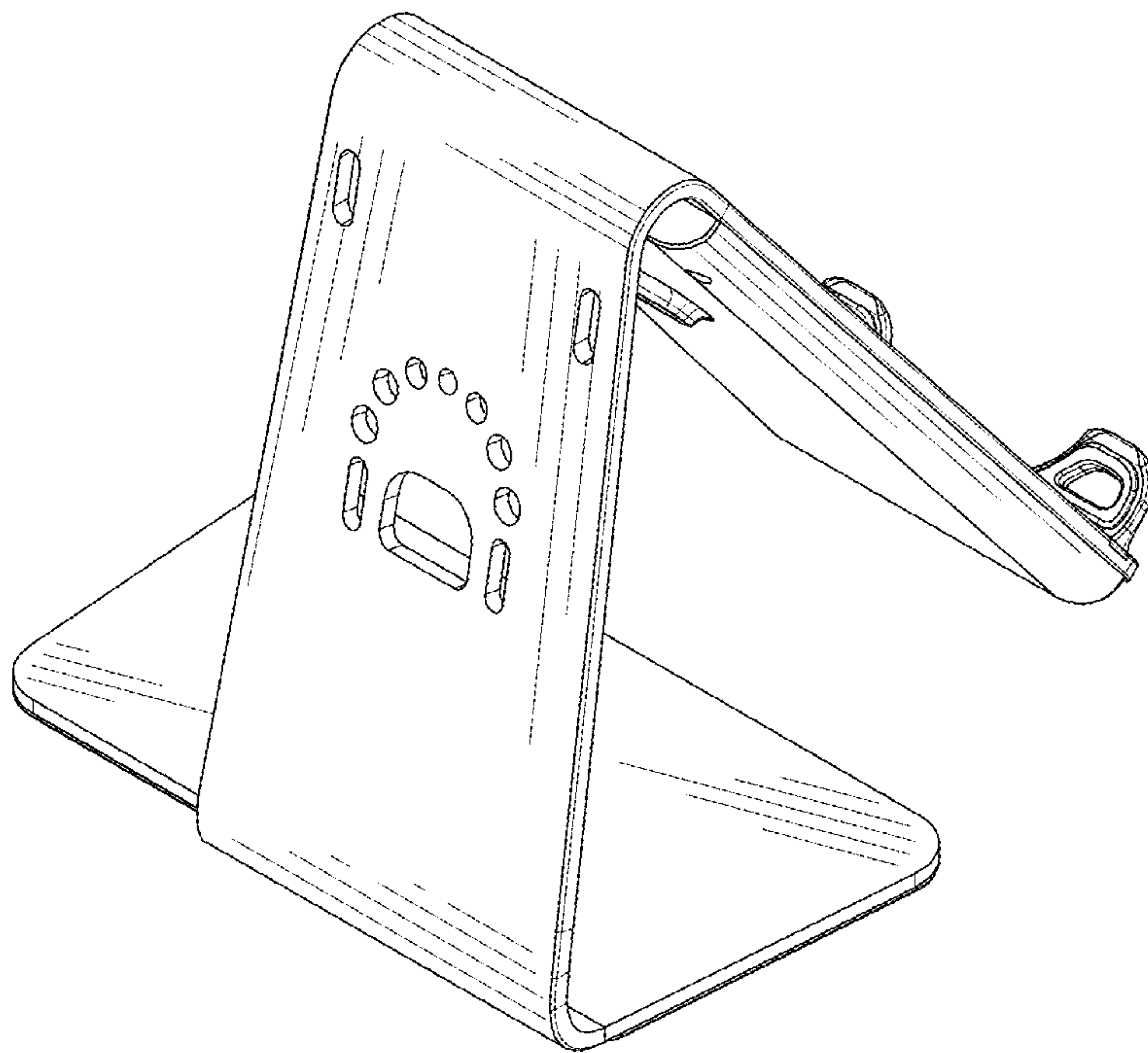


FIG. 2

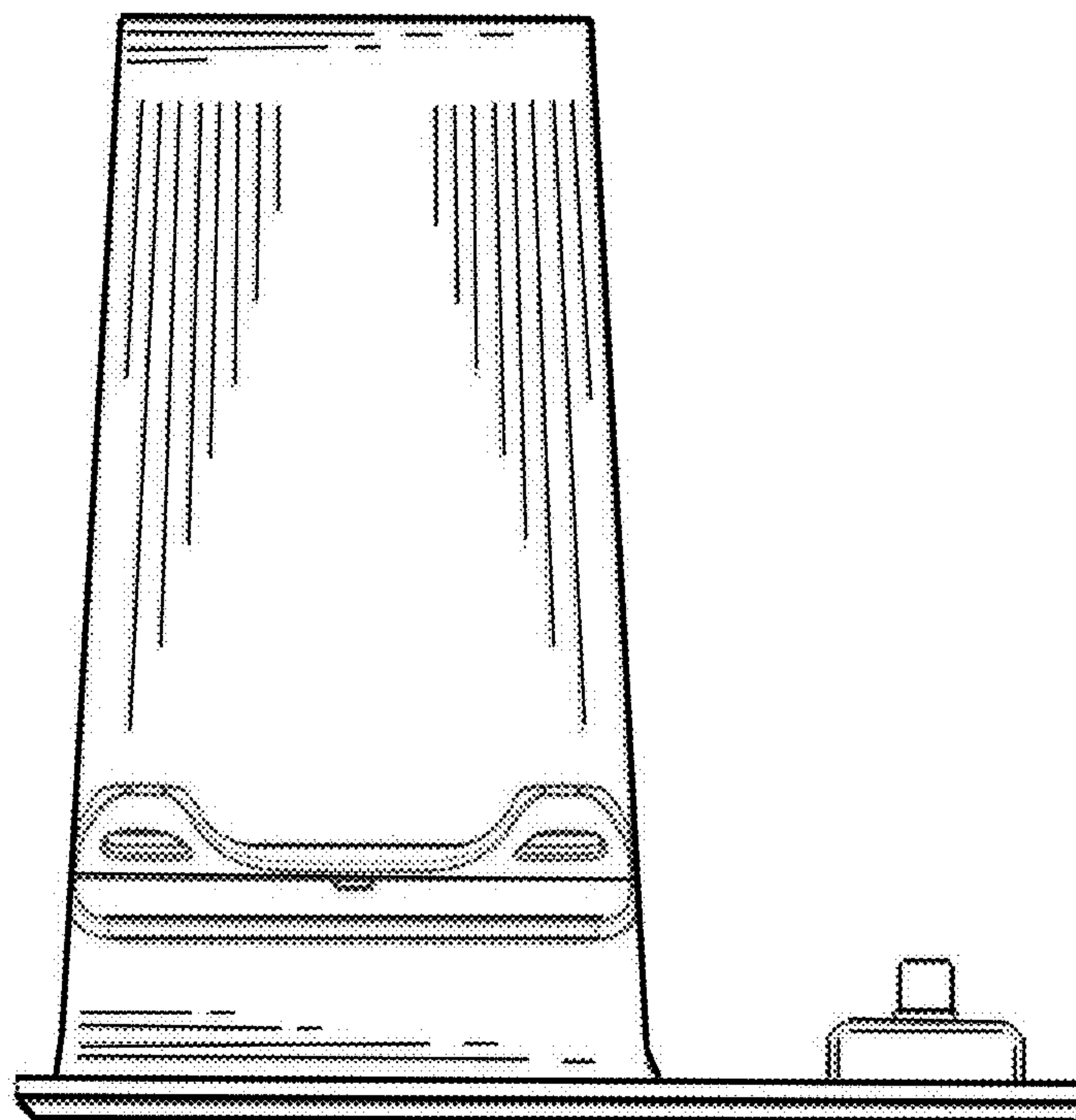


FIG. 3

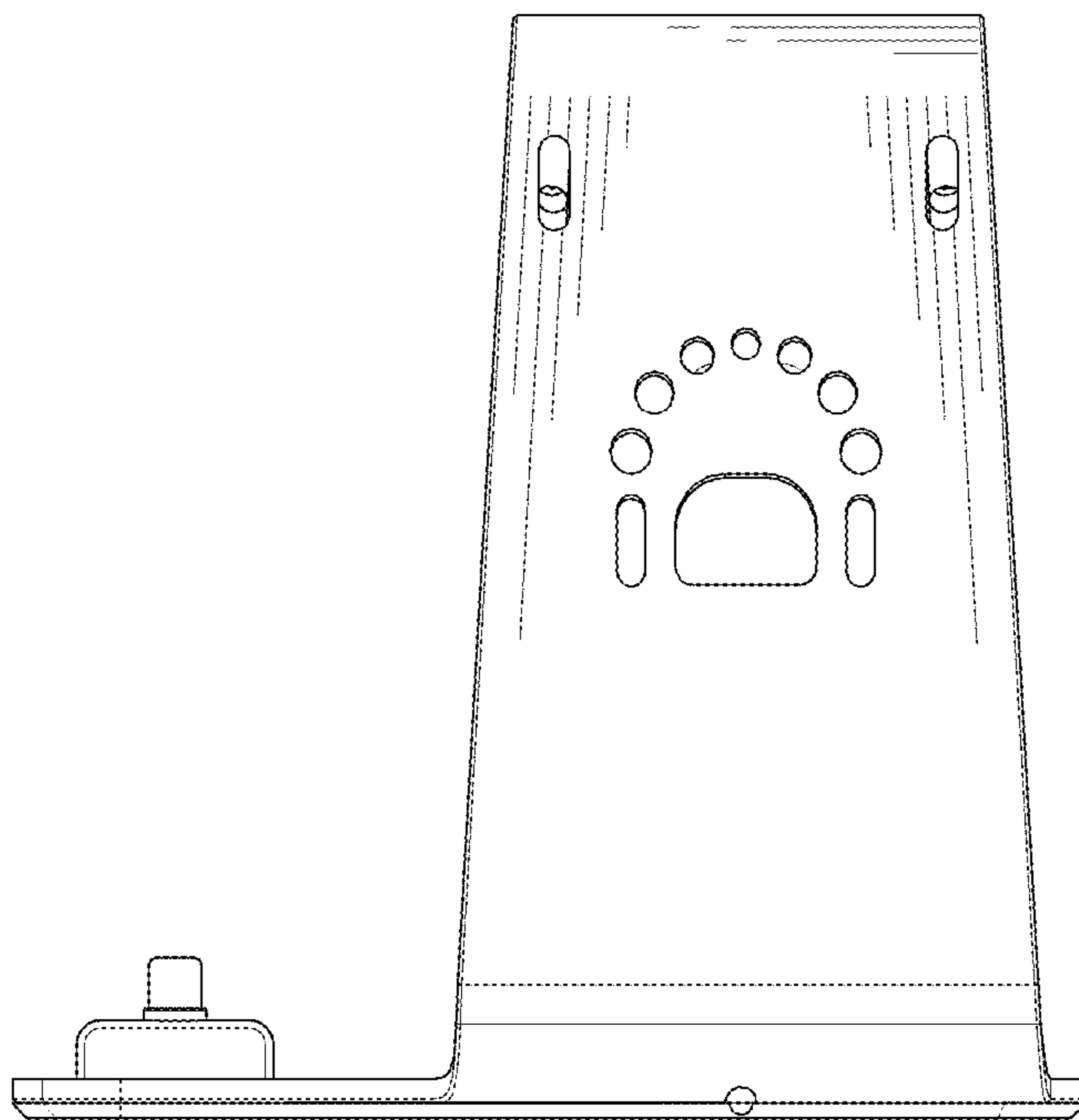


FIG. 4

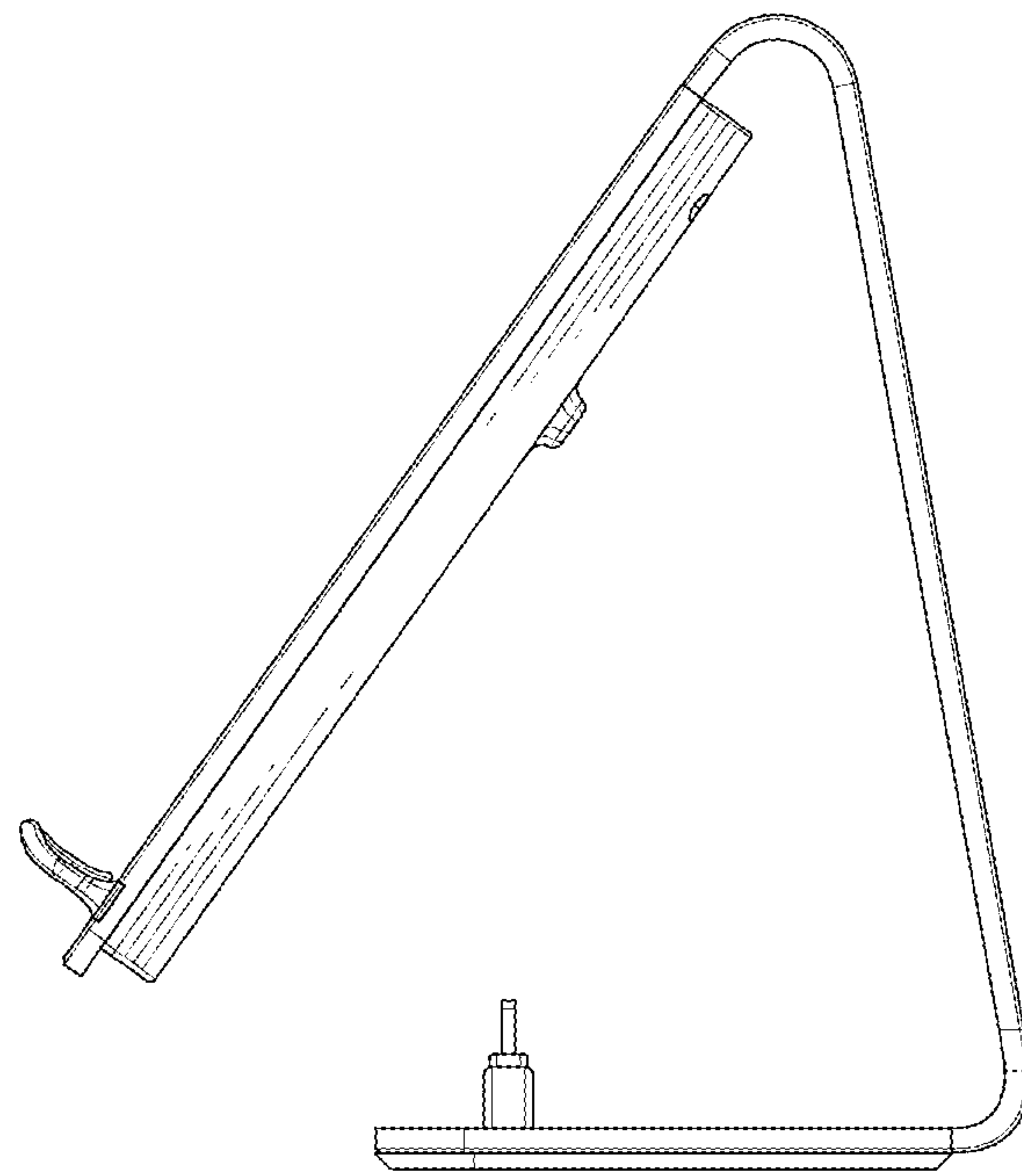


FIG. 5



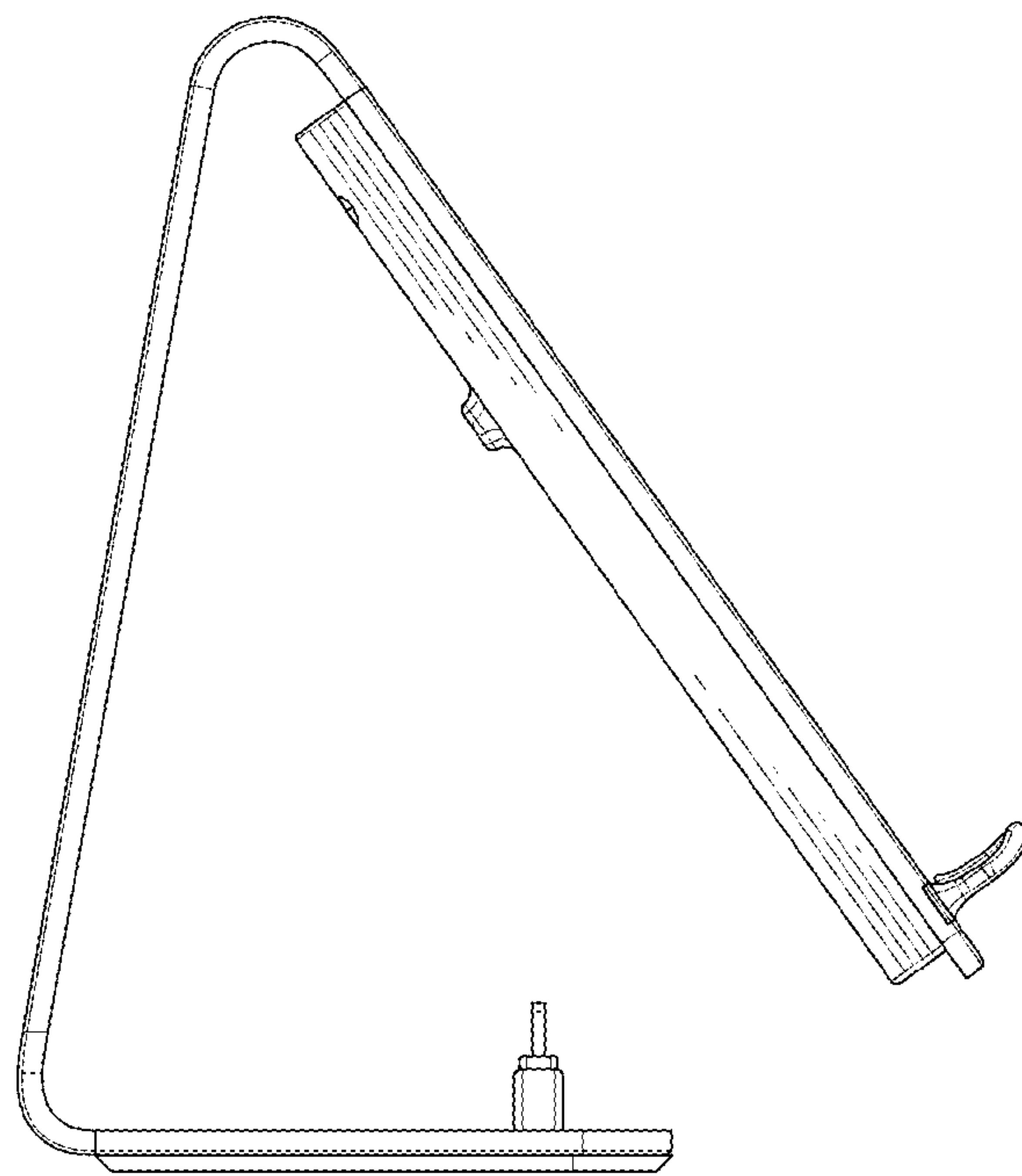


FIG. 6

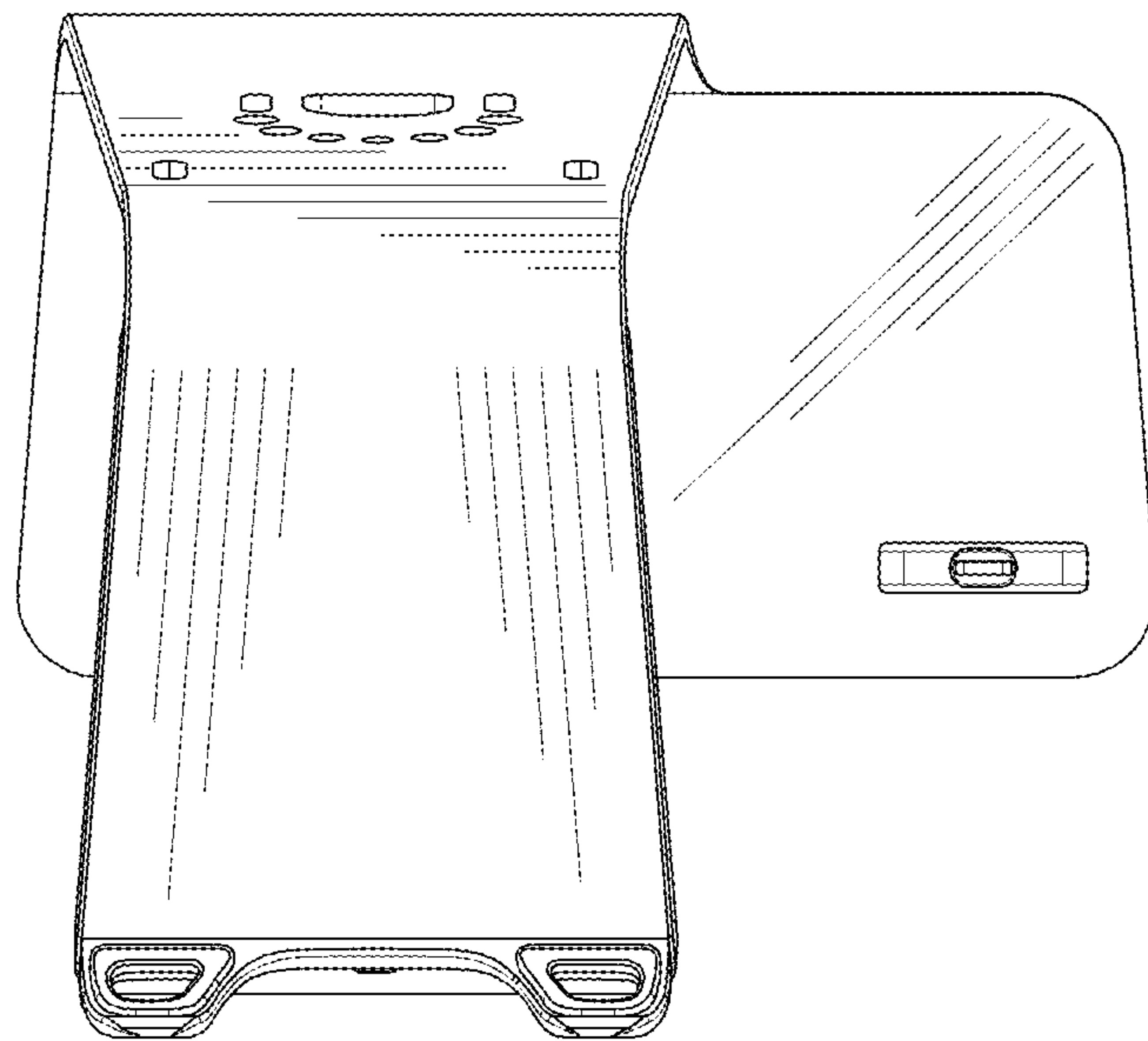


FIG. 7



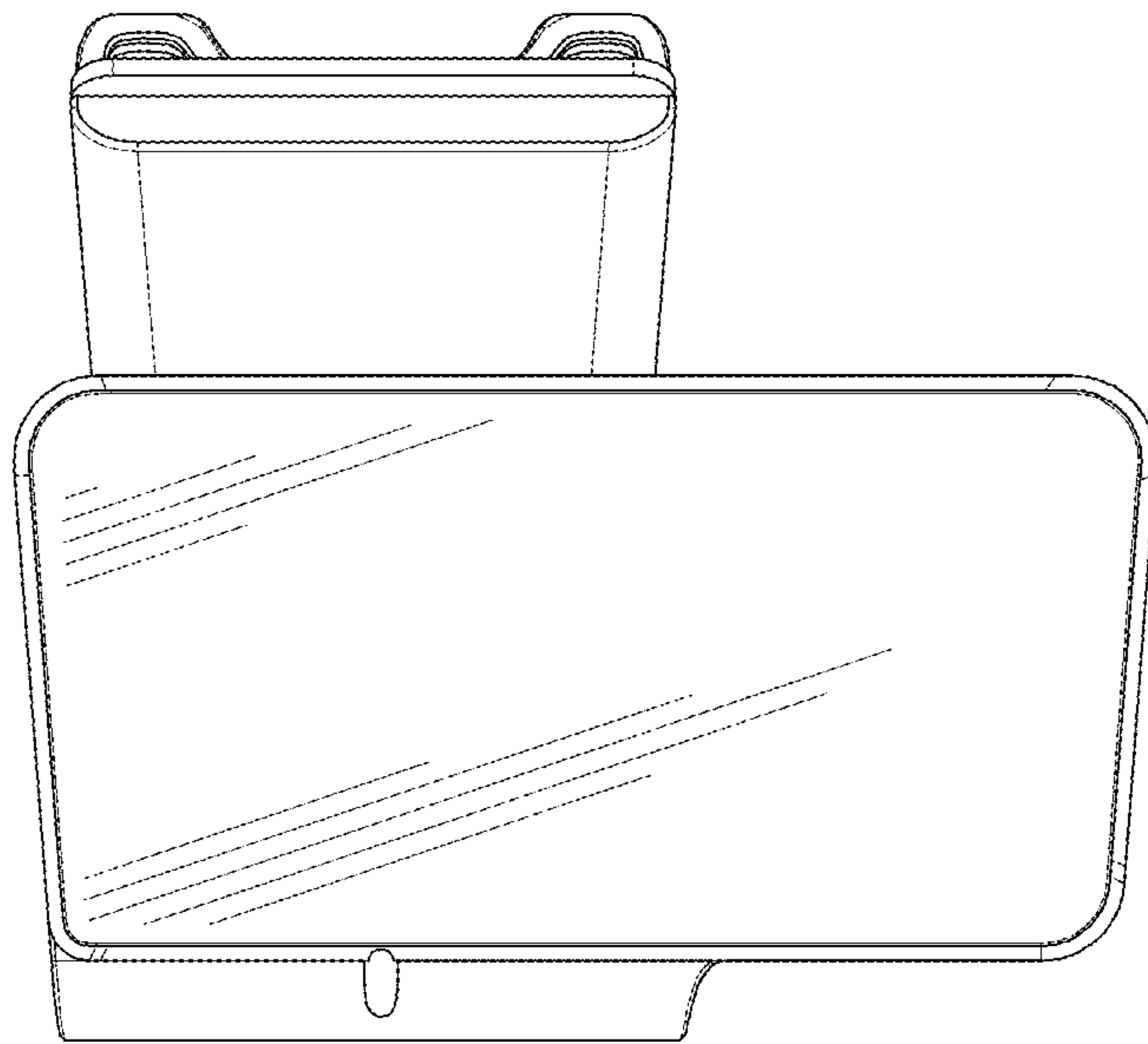


FIG. 8