



US00D874449S

(12) **United States Design Patent** (10) **Patent No.:** **US D874,449 S**
Ahrens (45) **Date of Patent:** **** Feb. 4, 2020**

(54) **ADJUSTABLE MOBILE LIFT WITH TRAY**

(71) Applicant: **BordRijk Intellectual Property B.V.**,
Budel (NL)

(72) Inventor: **Willi H. H. Ahrens**, Budel (NL)

(73) Assignee: **BordRijk Intellectual Property B.V.**
(NL)

(**) Term: **15 Years**

(21) Appl. No.: **29/656,131**

(22) Filed: **Jul. 10, 2018**

(30) **Foreign Application Priority Data**

Jan. 10, 2018 (EM) 004661353-0001

Jan. 10, 2018 (EM) 004661353-0002

(51) **LOC (12) Cl.** **14-03**

(52) **U.S. Cl.**
USPC **D14/239**

(58) **Field of Classification Search**

USPC D14/239, 371, 136, 374-377; D8/363,
D8/373, 349, 394; 248/465, 917-924,
248/123.11; 348/825, 827, 836, 837, 838,
348/180, 184, 325, 739; 600/443;
D6/477-479, 407, 474, 460, 461, 468;
312/7.2; 341/12; 345/87, 104, 133, 156,
345/168, 169, 173; 720/605, 669, 600,
720/655; 369/99, 197; 455/344-347;
349/1, 2, 11, 62; 108/59, 91, 92, 96;

(Continued)

(56) **References Cited**

U.S. PATENT DOCUMENTS

7,290,777 B2 * 11/2007 Preston B62B 3/10
211/187

D615,072 S * 5/2010 Saitou D14/239

(Continued)

Primary Examiner — Randall H Gholson

(74) *Attorney, Agent, or Firm* — Miller & Martin PLLC

(57) **CLAIM**

The ornamental design for the adjustable mobile lift with tray, as shown and described.

DESCRIPTION

FIG. 1 is an elevated front left perspective view of the adjustable mobile lift with tray;

FIG. 2 is a rear right perspective view of the adjustable mobile lift with tray;

FIG. 3 is a bottom plan view of the adjustable mobile lift with tray;

FIG. 4 is a top plan view of the adjustable mobile lift with tray;

FIG. 5 is a left side elevation view of the adjustable mobile lift with tray, the right side elevation view being a mirror image thereof;

FIG. 6 is a rear elevation view of the adjustable mobile lift with tray;

FIG. 7 is a front elevation view of the adjustable mobile lift with tray;

FIG. 8 is an elevated front left perspective view of the adjustable mobile lift with tray;

FIG. 9 is a bottom plan view of the adjustable mobile lift with tray;

FIG. 10 is a top plan view of the adjustable mobile lift with tray;

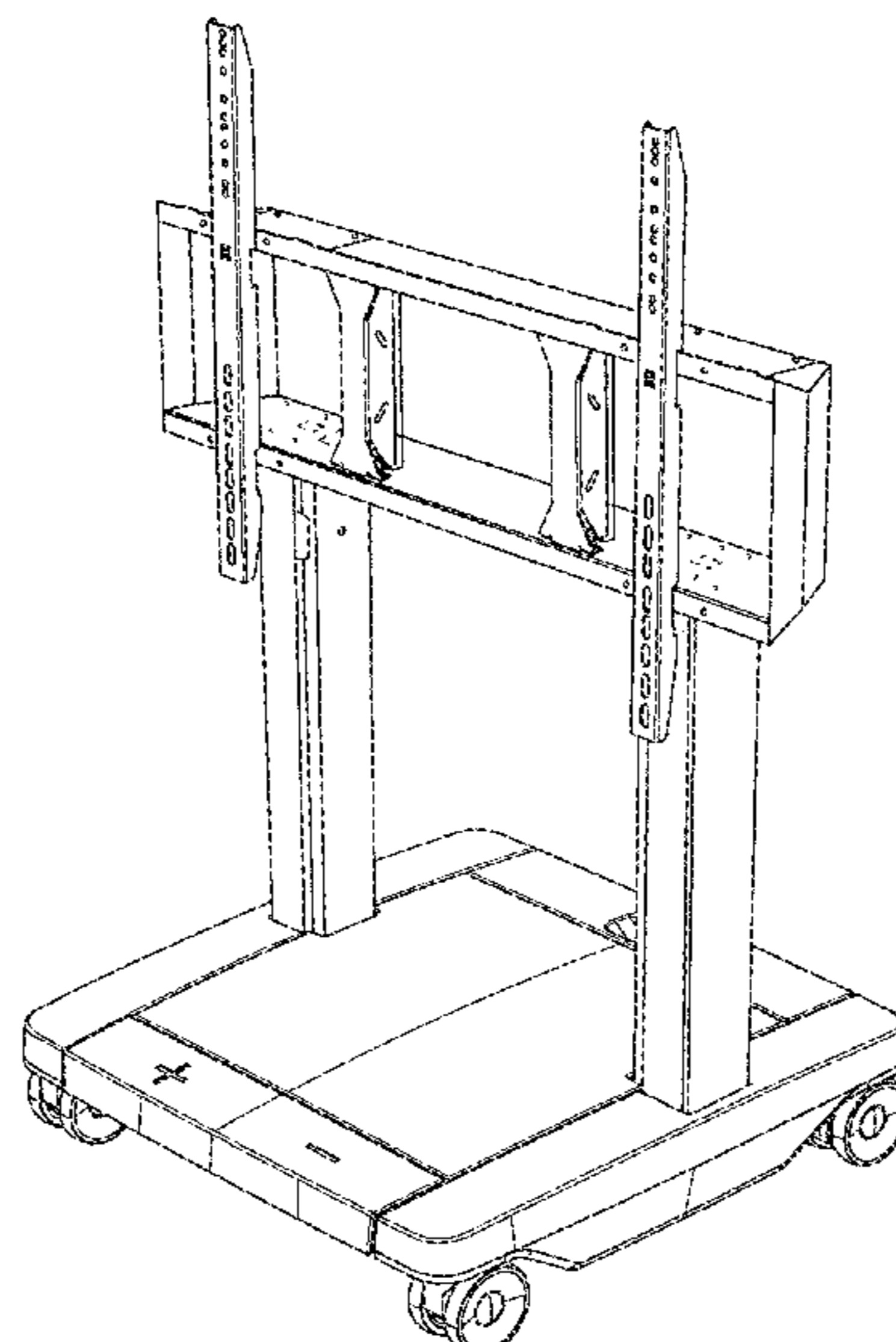
FIG. 11 is a left side elevation view of the adjustable mobile lift with tray, the right side elevation view being a mirror image thereof;

FIG. 12 is a rear elevation view of the adjustable mobile lift with tray; and,

FIG. 13 is a front elevation view of the adjustable mobile lift with tray.

The adjustable mobile lift with tray is shown without the tray in FIGS. 1-7 for clarity.

1 Claim, 13 Drawing Sheets



(58) **Field of Classification Search**

USPC 211/40, 41.12, 42, 49.1, 50, 85.2, 90.04,
211/187, 190, 119.003, 134.1, 53, 87.01,
211/71.01

CPC A47B 43/00; G03B 1/00

See application file for complete search history.

(56) **References Cited**

U.S. PATENT DOCUMENTS

D700,706 S *	3/2014	Molter	D24/185
D708,341 S *	7/2014	Ikegame	D24/185
D721,159 S *	1/2015	Reneau	D22/108
D739,947 S *	9/2015	Maier	D24/186
D764,669 S *	8/2016	Birath	D24/164
D788,087 S *	5/2017	Lee	D14/239

* cited by examiner

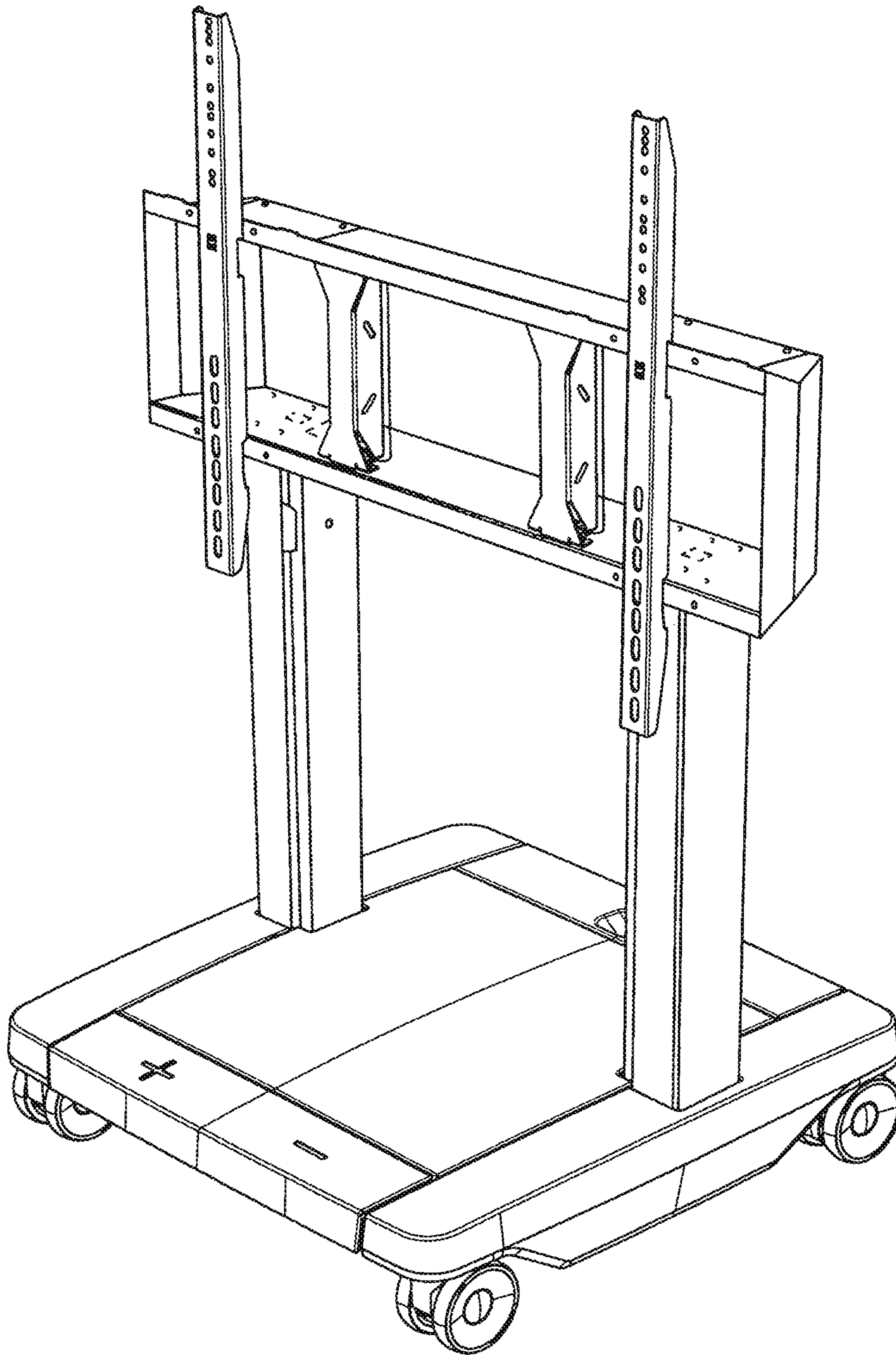


FIG. 1

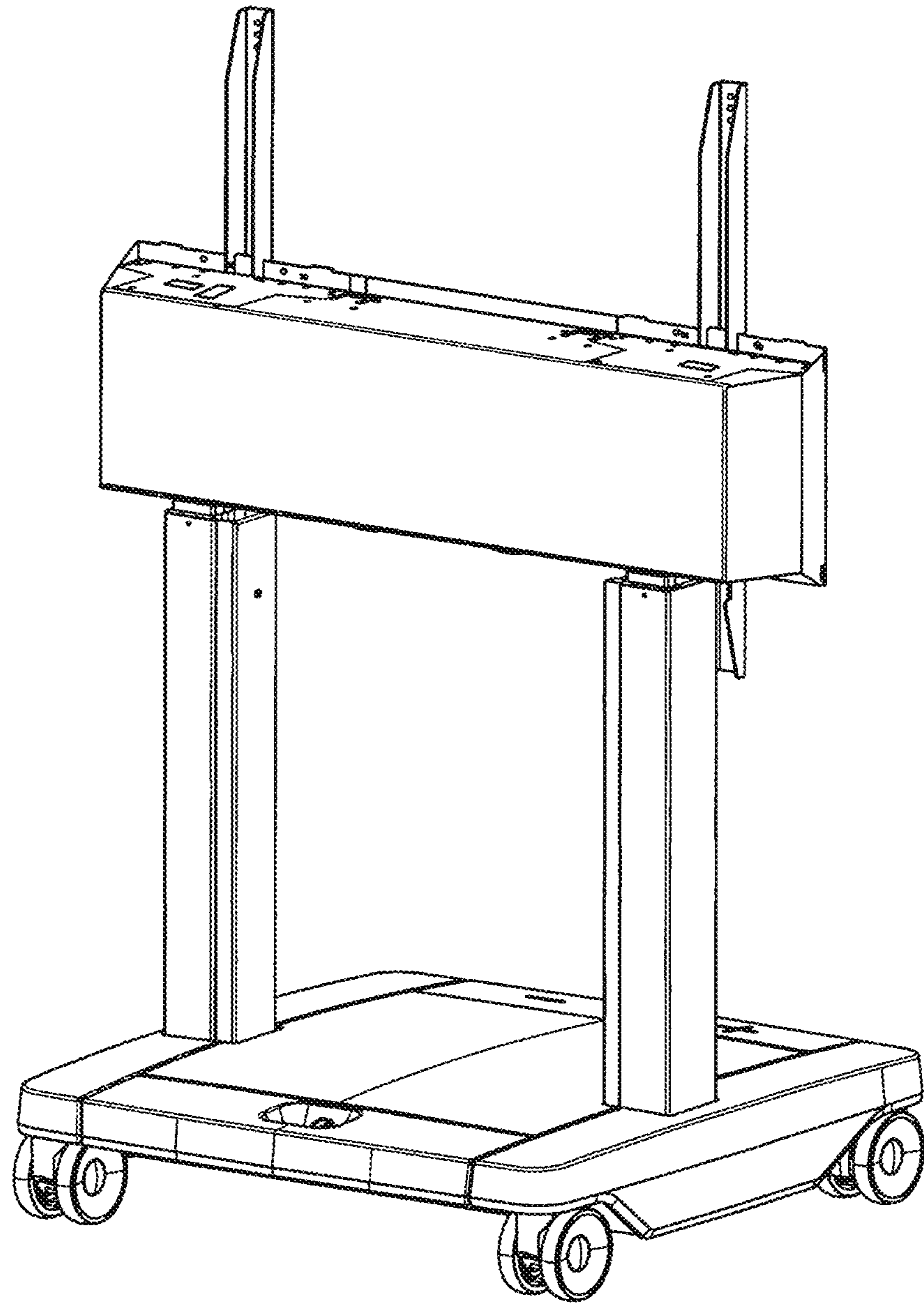


FIG. 2

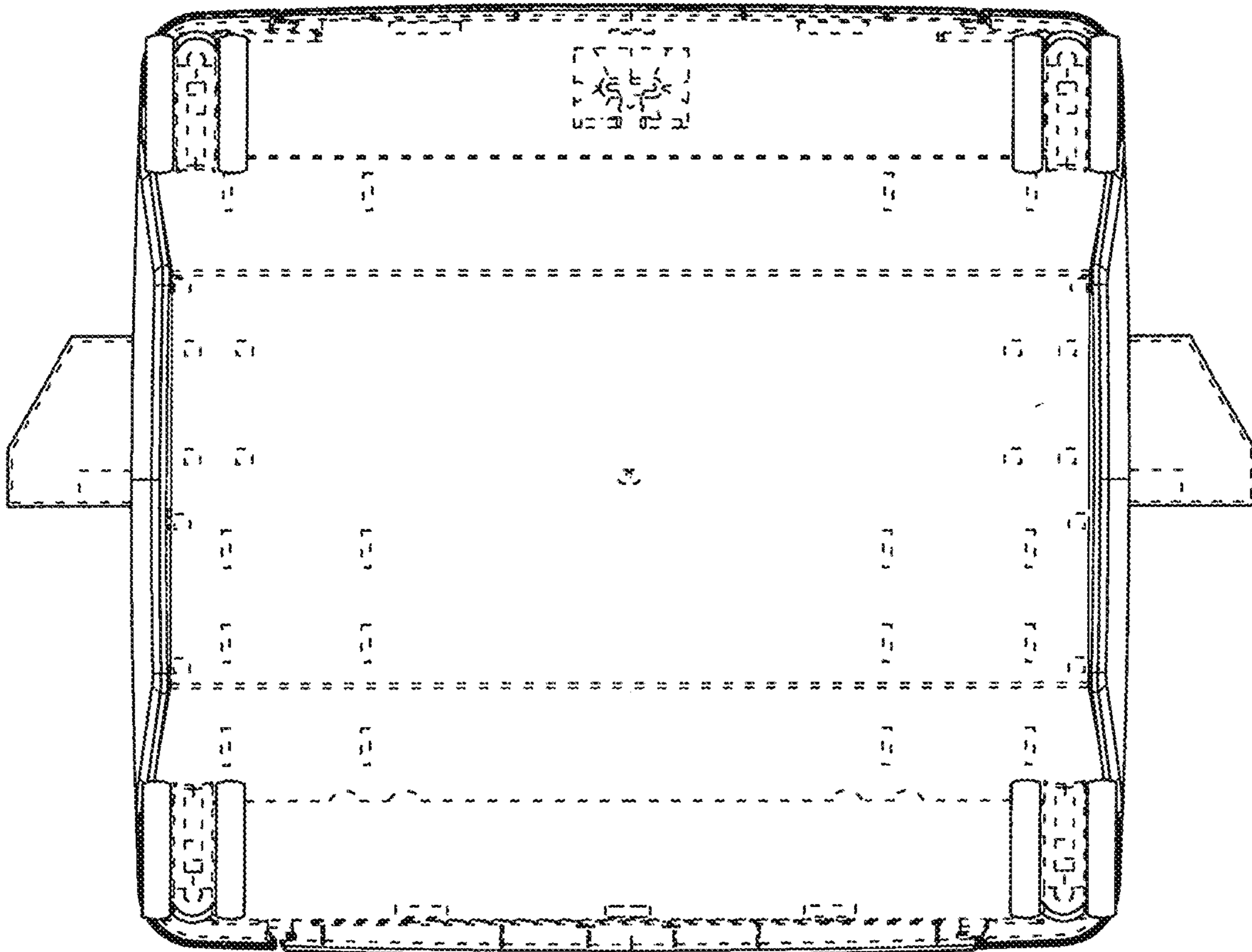


FIG. 3

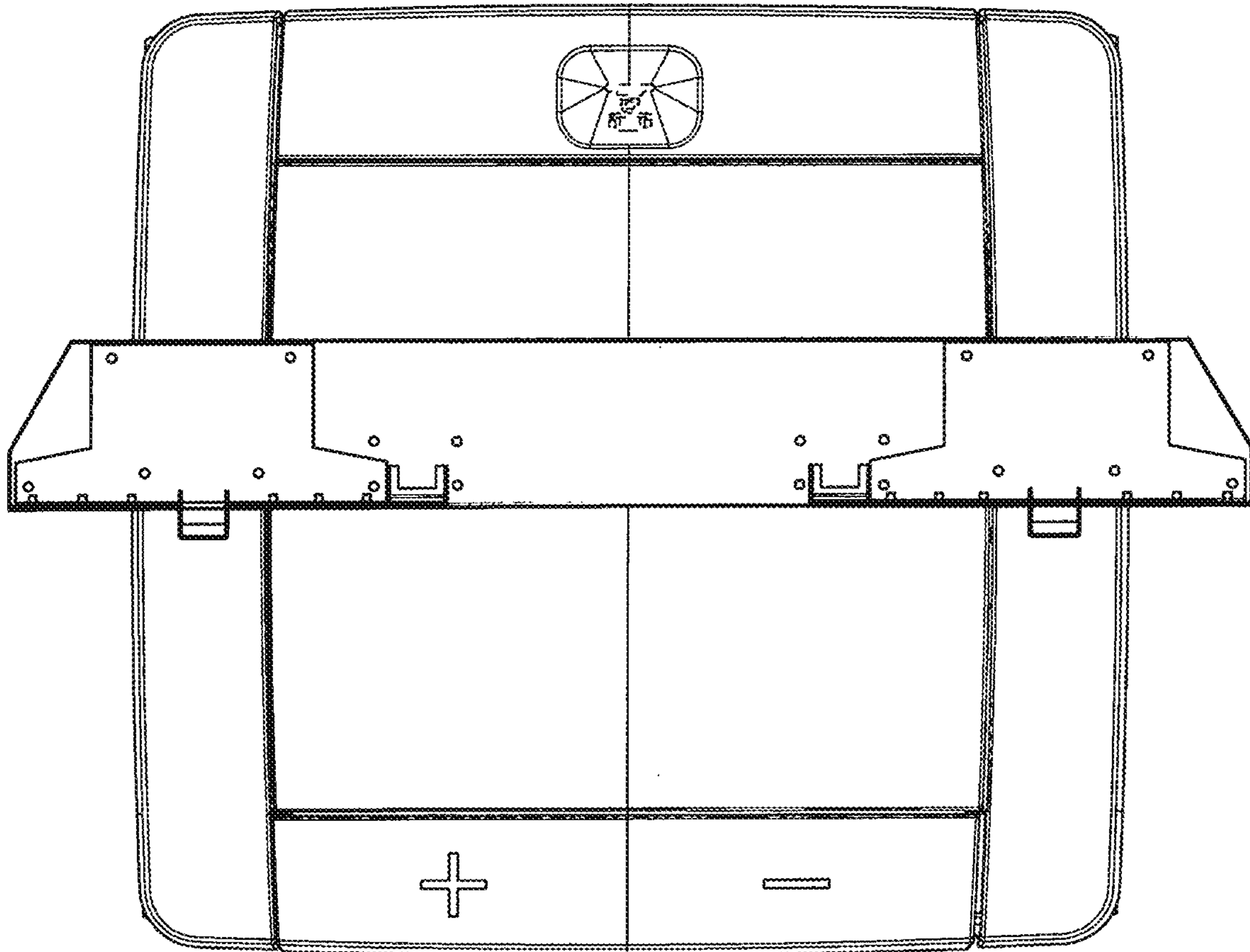


FIG. 4

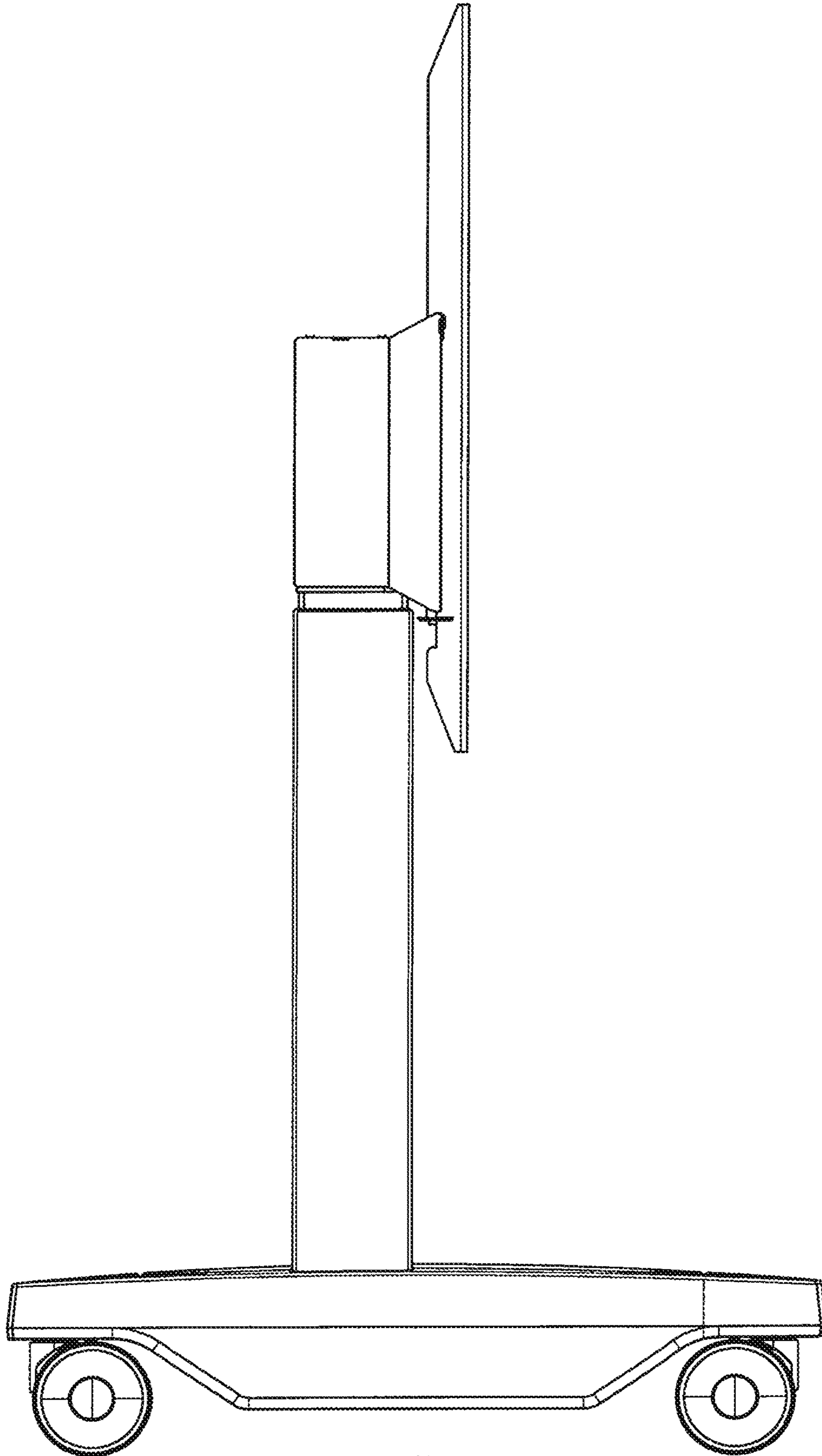


FIG. 5

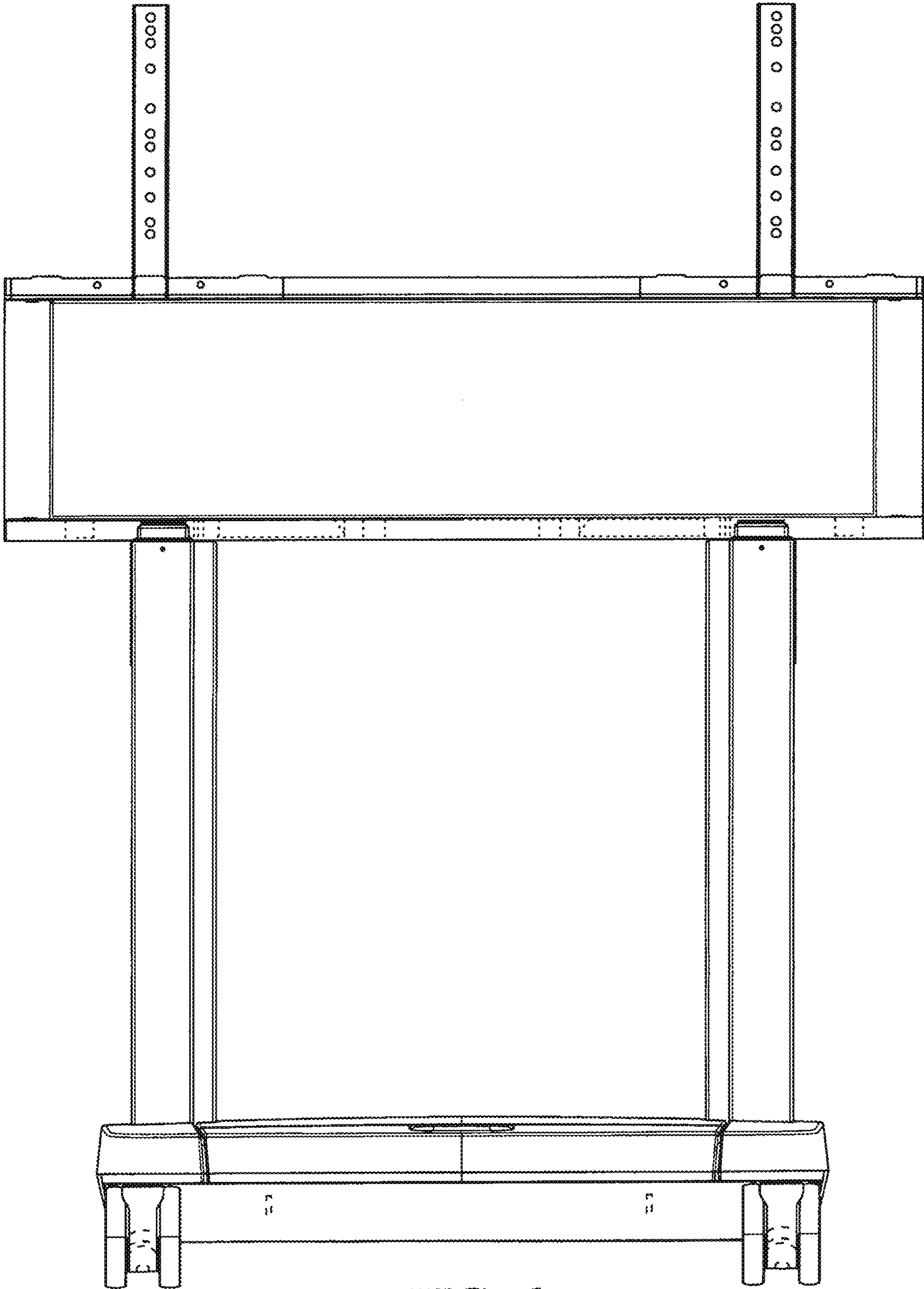


FIG. 6

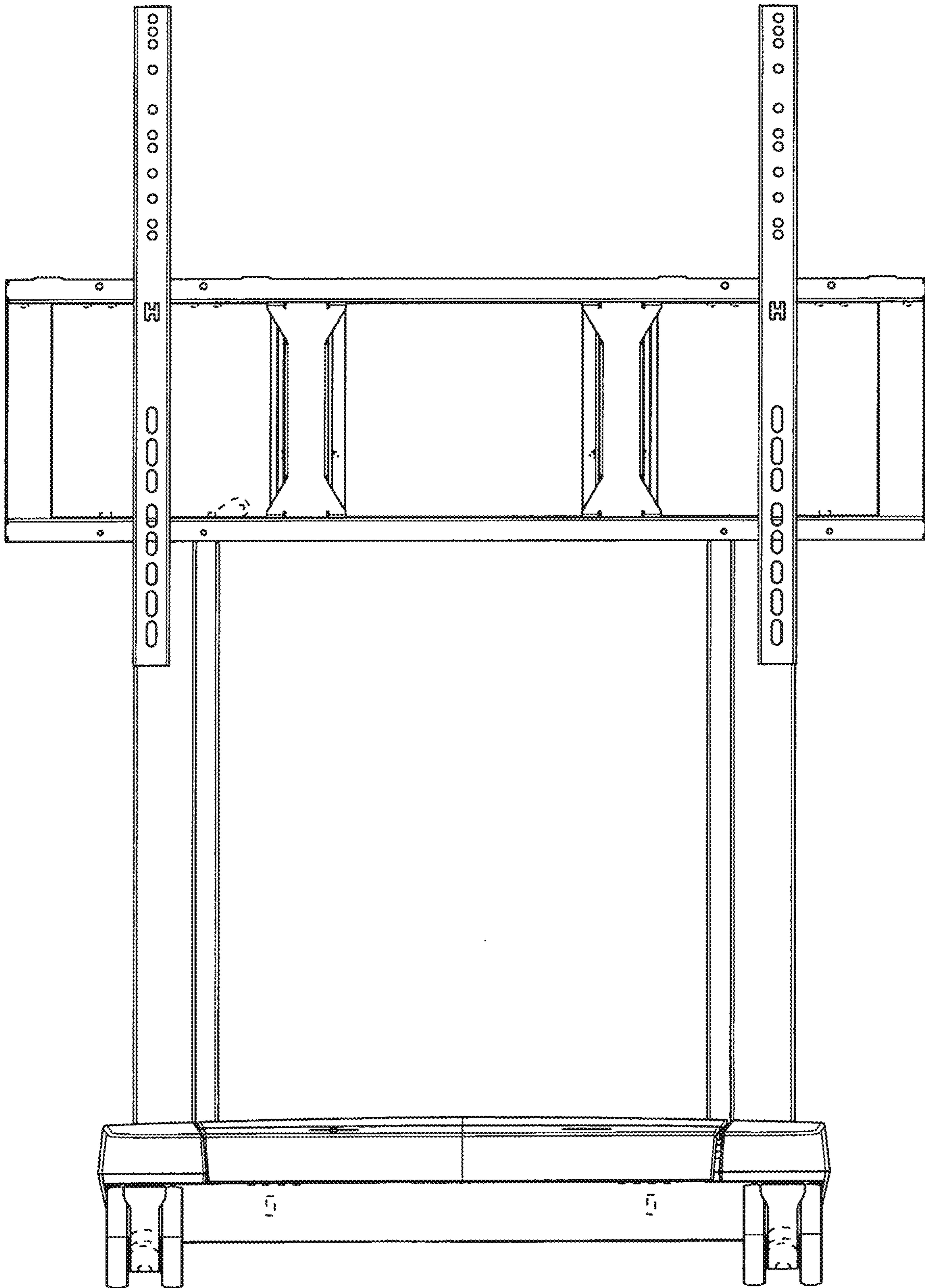


FIG. 7

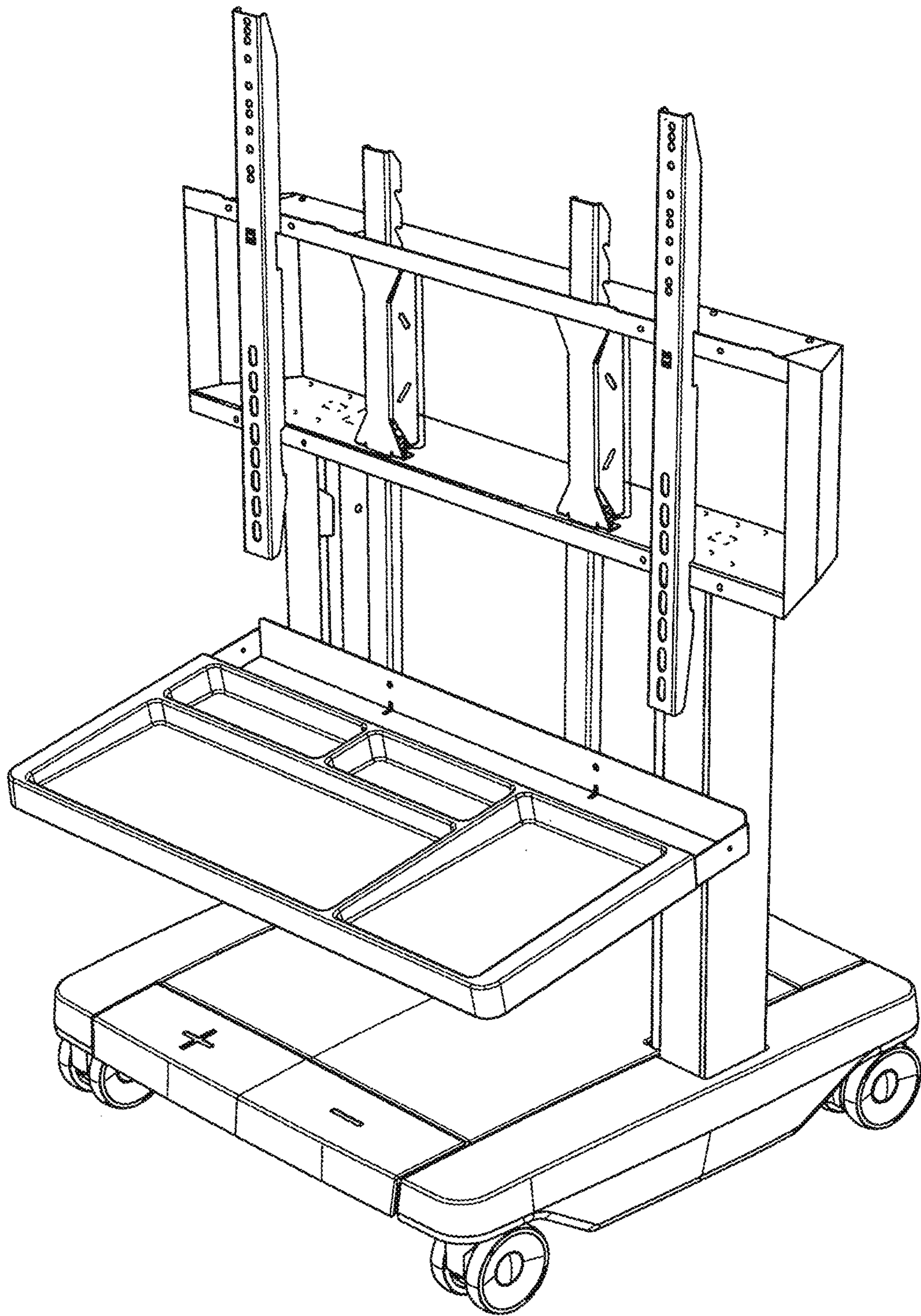


FIG. 8

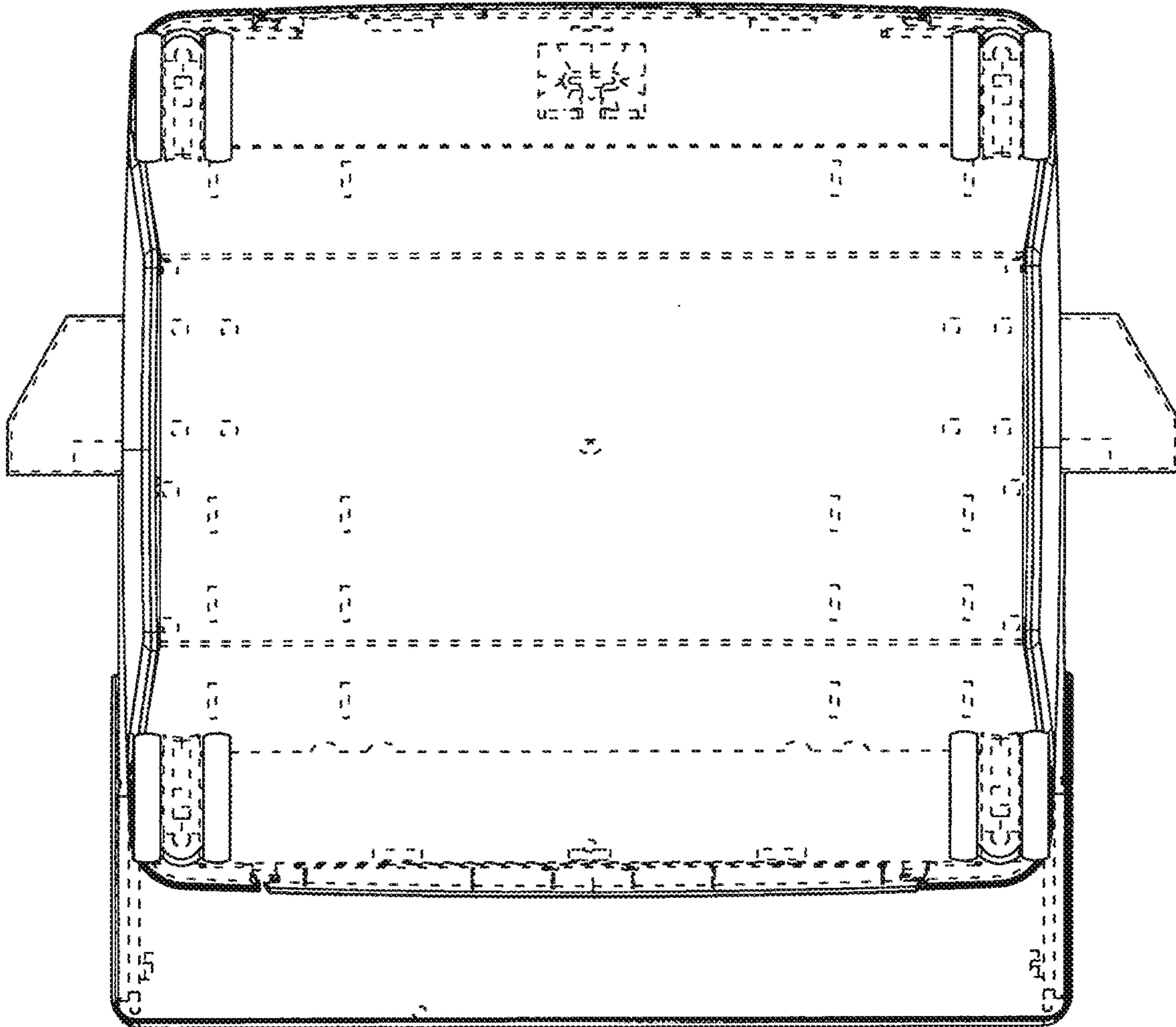


FIG. 9

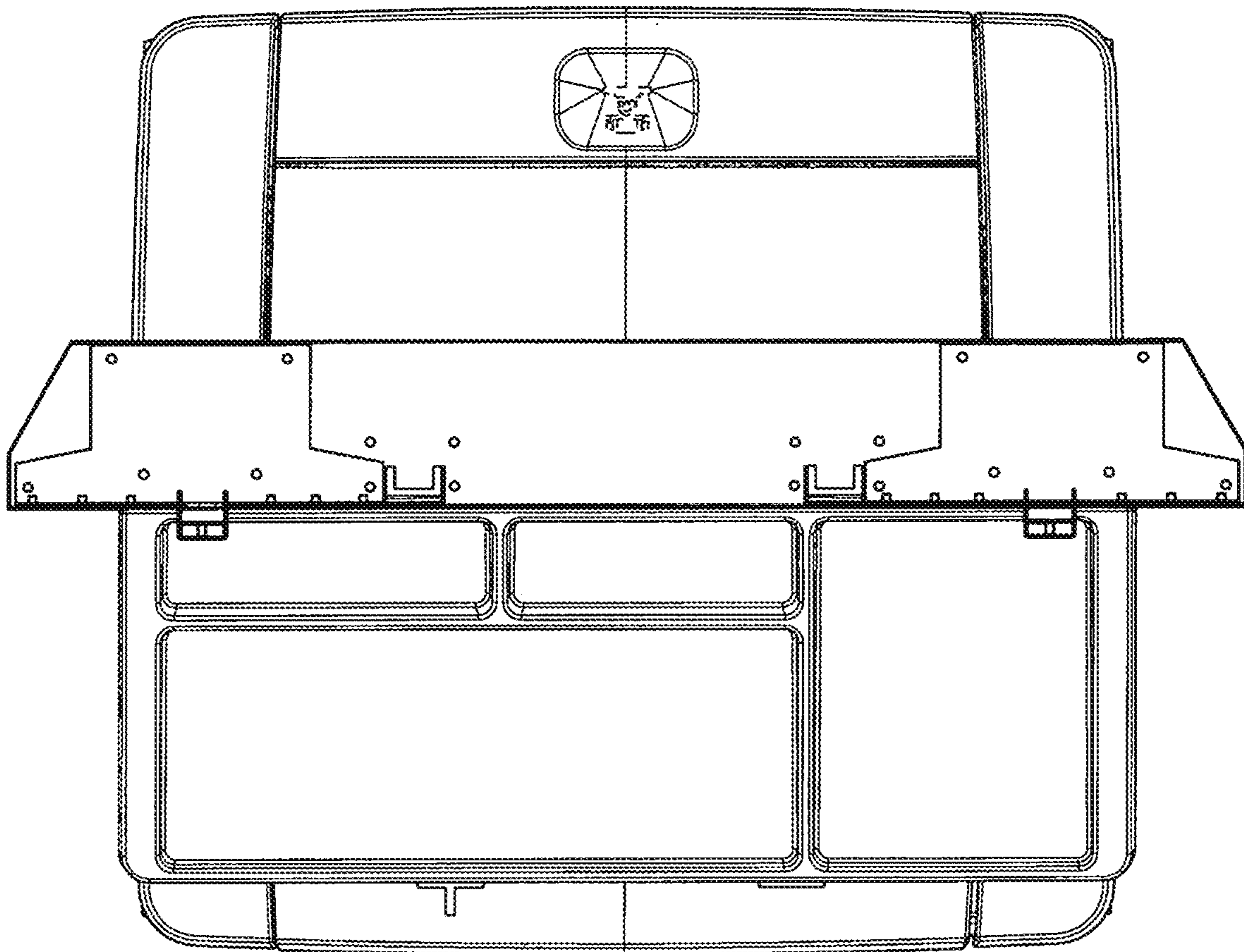


FIG. 10

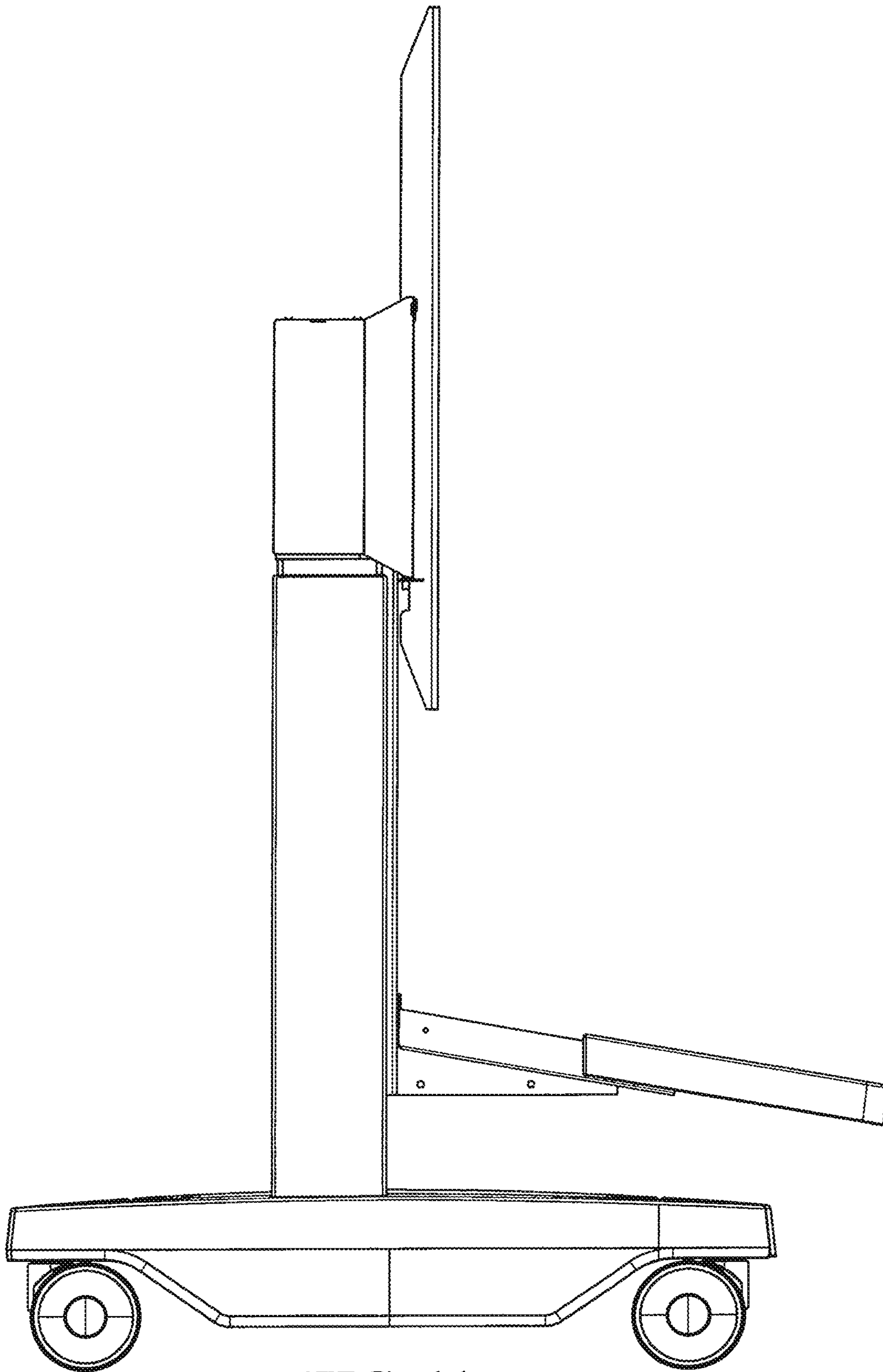


FIG. 11

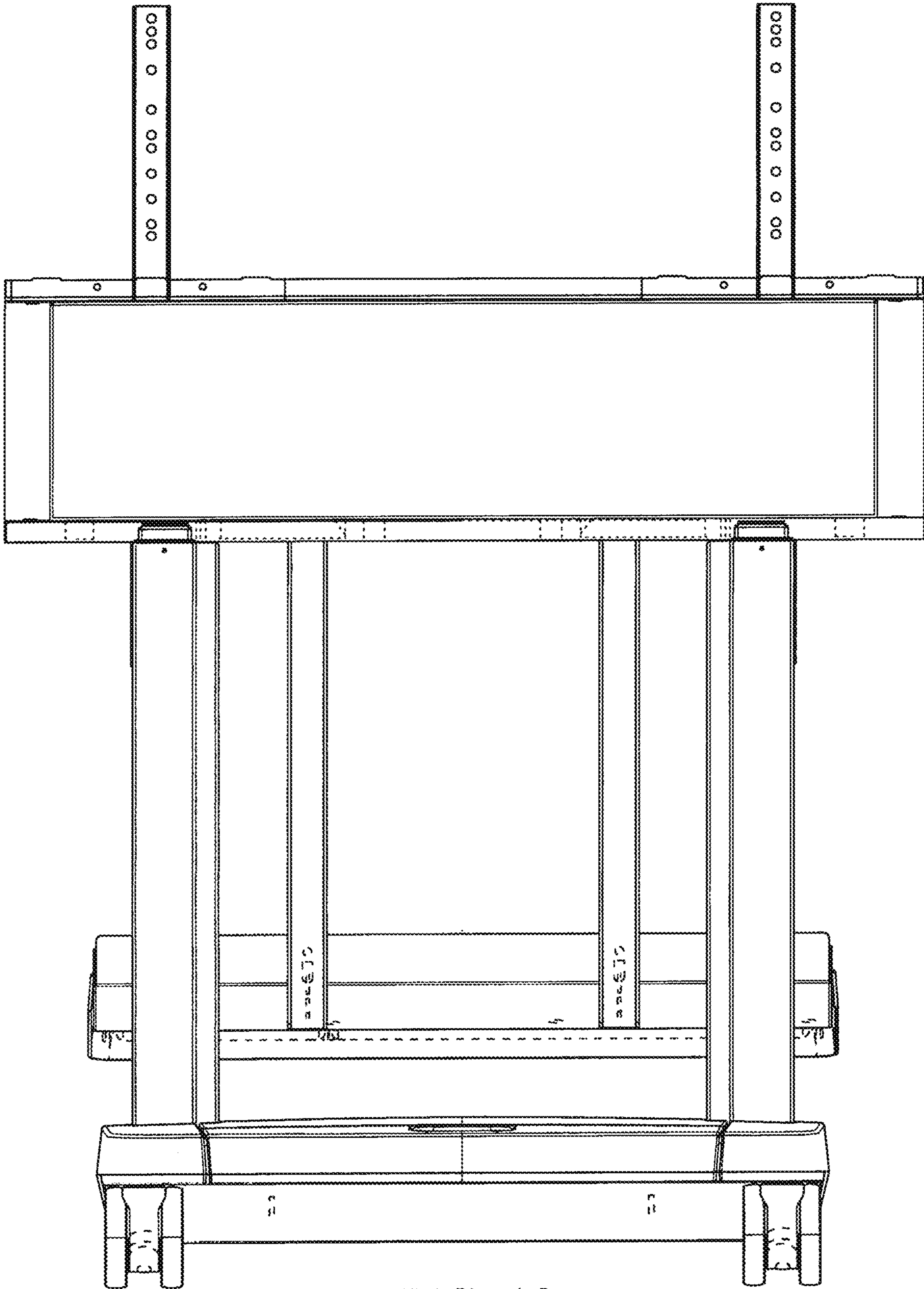


FIG. 12

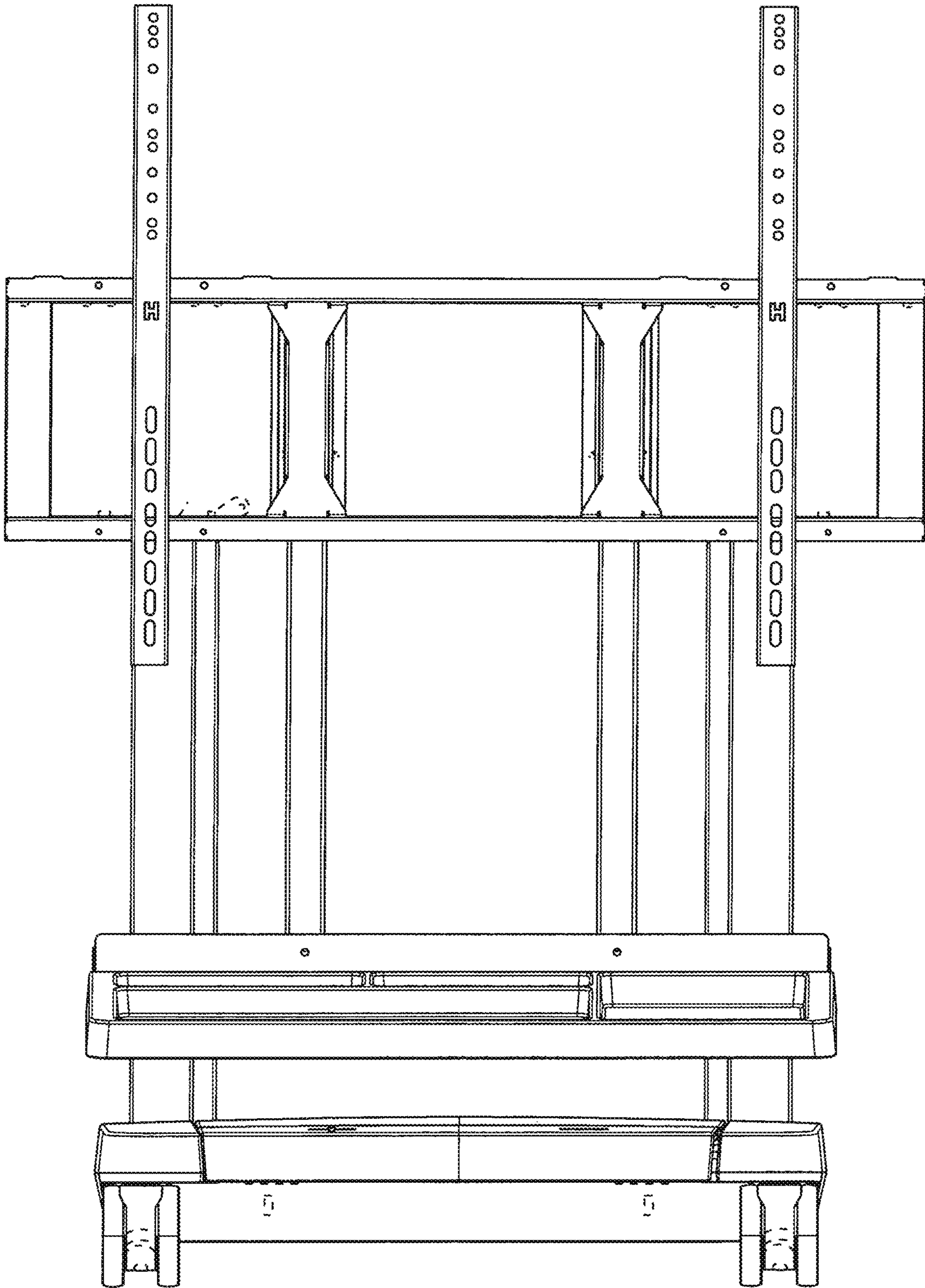


FIG. 13