



US00D874447S

(12) **United States Design Patent**
Howard

(10) **Patent No.:** **US D874,447 S**

(45) **Date of Patent:** **** Feb. 4, 2020**

(54) **ANTENNA**

(71) Applicant: **AVERY DENNISON RETAIL
INFORMATION SERVICES, LLC,**
Mentor, OH (US)

(72) Inventor: **Norman A. Howard,** Ilford (GB)

(73) Assignee: **AVERY DENNISON RETAIL
INFORMATION SERVICES LLC,**
Mentor, OH (US)

(**) Term: **15 Years**

(21) Appl. No.: **29/670,226**

(22) Filed: **Nov. 14, 2018**

(51) **LOC (12) Cl.** **14-03**

(52) **U.S. Cl.**
USPC **D14/230**

(58) **Field of Classification Search**
USPC D14/230-238, 203.6, 204, 216, 221,
D14/238.1, 240, 242, 299, 343, 358, 509;
D13/182

CPC H01Q 7/00; H01Q 13/10; H01Q 9/285;
H01Q 19/30; H01Q 19/12; H01Q 1/36;
H01Q 1/38; H01Q 1/0475; H01Q 1/034;
H05K 11/00; G05D 1/0234; G06K
19/07749

See application file for complete search history.

(56) **References Cited**

U.S. PATENT DOCUMENTS

D535,647 S * 1/2007 Hall D14/230
D708,601 S * 7/2014 Forster D14/230

D709,052 S * 7/2014 Forster D14/230
D710,338 S * 8/2014 Forster D14/230
D773,442 S * 12/2016 Man D14/230
D775,611 S * 1/2017 Forster D14/230
D776,093 S * 1/2017 Forster D14/230
D787,484 S * 5/2017 Forster D14/230
D800,098 S * 10/2017 Lai D14/230
D800,099 S * 10/2017 Lai D14/230
D800,704 S * 10/2017 Lai D14/230
D812,045 S * 3/2018 Howard D14/230
D816,642 S * 5/2018 Pars Benli D14/230
D830,350 S * 10/2018 Forster D14/230
D836,616 S * 12/2018 Escaro D14/230
D858,492 S * 9/2019 Man D14/230
2016/0111791 A1 * 4/2016 Asakawa H01Q 9/42
343/700 MS

* cited by examiner

Primary Examiner — John Windmuller

(74) *Attorney, Agent, or Firm* — Avery Dennison Retail
Information Services LLC

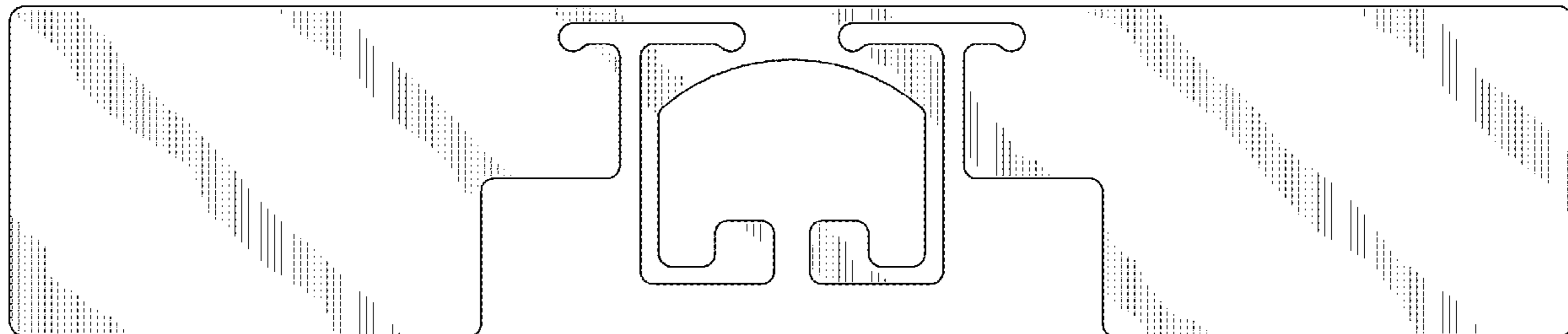
(57) **CLAIM**

The ornamental design for an antenna, as shown and
described.

DESCRIPTION

FIG. 1 is an isometric view of an antenna, showing my new
design; and,
FIG. 2 is a front view thereof.

1 Claim, 2 Drawing Sheets



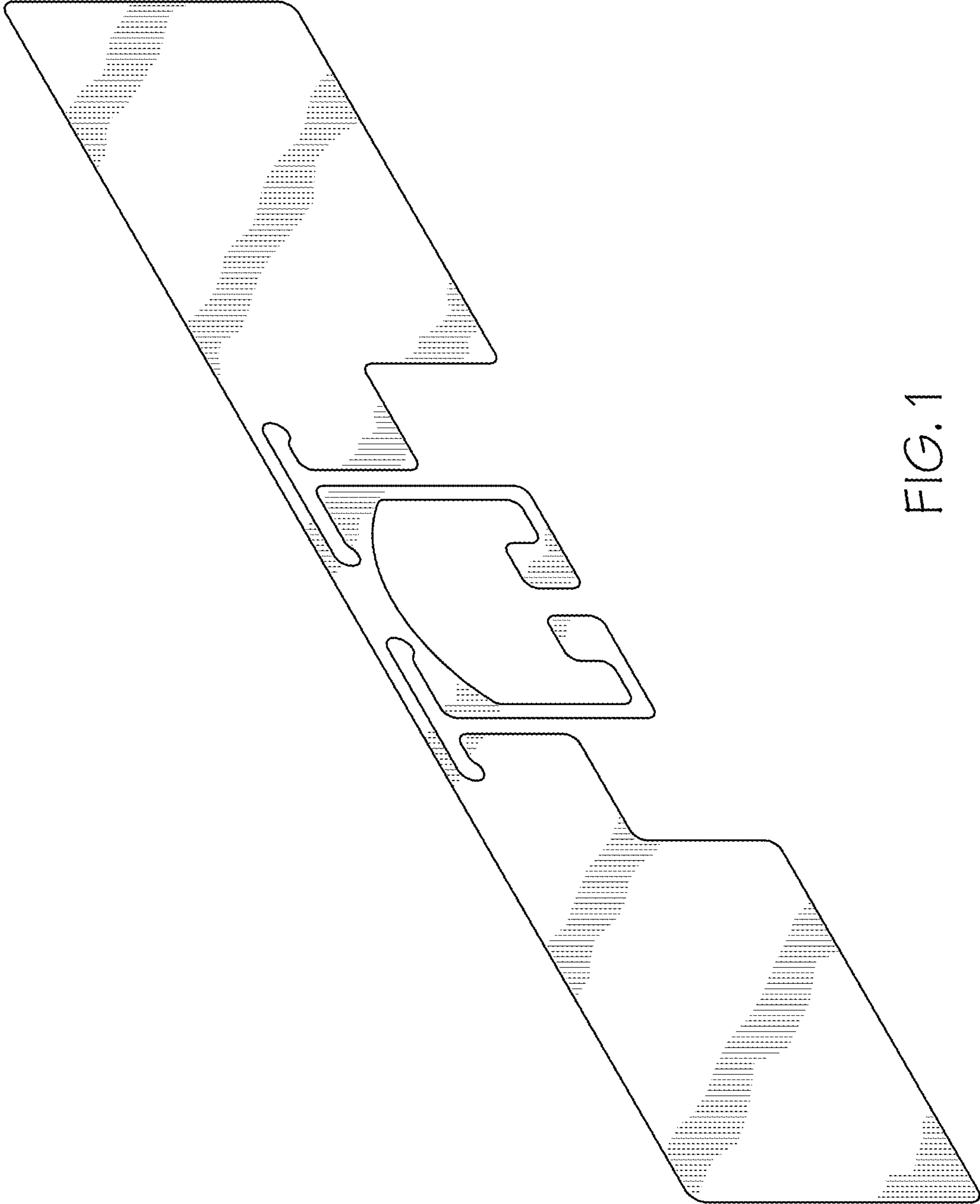


FIG. 1

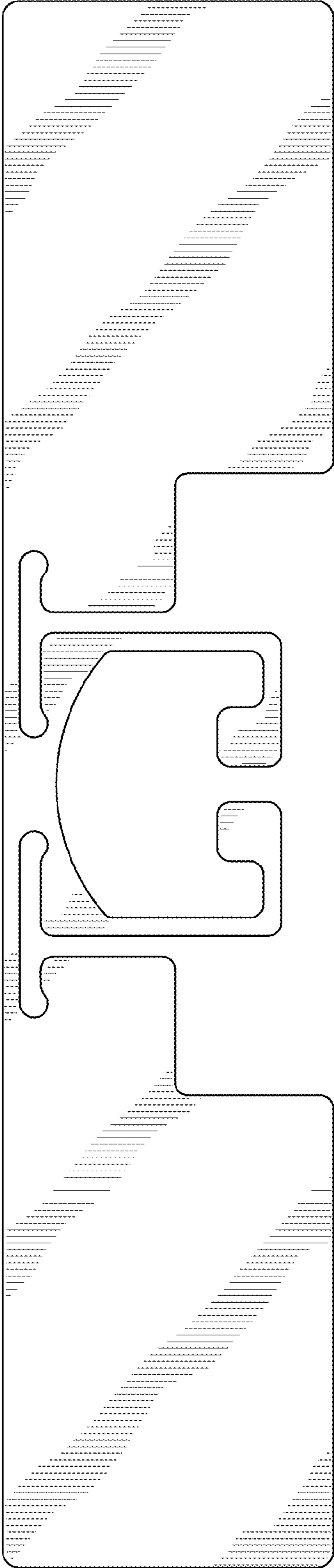


FIG. 2