



US00D874445S

(12) **United States Design Patent** (10) **Patent No.:** **US D874,445 S**
Petros (45) **Date of Patent:** **** Feb. 4, 2020**

(54) **VEHICLE ANTENNA MODULE**
(71) Applicant: **Argy Petros**, Parkland, FL (US)
(72) Inventor: **Argy Petros**, Parkland, FL (US)
(73) Assignee: **TAOGLAS GROUP HOLDINGS LIMITED**, Enniscorthy, County Wexford (IE)
(**) Term: **15 Years**
(21) Appl. No.: **29/641,391**
(22) Filed: **Mar. 21, 2018**
(51) **LOC (12) Cl.** **14-03**
(52) **U.S. Cl.**
USPC **D14/230**
(58) **Field of Classification Search**
USPC D14/138, 230-238, 299, 358; D12/42, D12/43
CPC H01Q 7/00; H01Q 13/10; H01Q 9/285; H01Q 19/30; H01Q 19/12; H01Q 1/38; H01Q 1/36; H04B 1/0475; H04B 1/034; H05K 11/00
See application file for complete search history.

(56) **References Cited**
U.S. PATENT DOCUMENTS
D118,160 S * 12/1939 Kopanski D14/234
2,473,141 A * 6/1949 Friedberg H01Q 1/1214
174/153 A
D320,602 S * 10/1991 Wells D14/238
D367,481 S * 2/1996 Bacnik D14/230
5,565,877 A * 10/1996 Du H01Q 1/1285
333/24 C
D443,263 S * 6/2001 Strand D14/230
6,366,249 B1 * 4/2002 Jones H01Q 1/3275
343/703

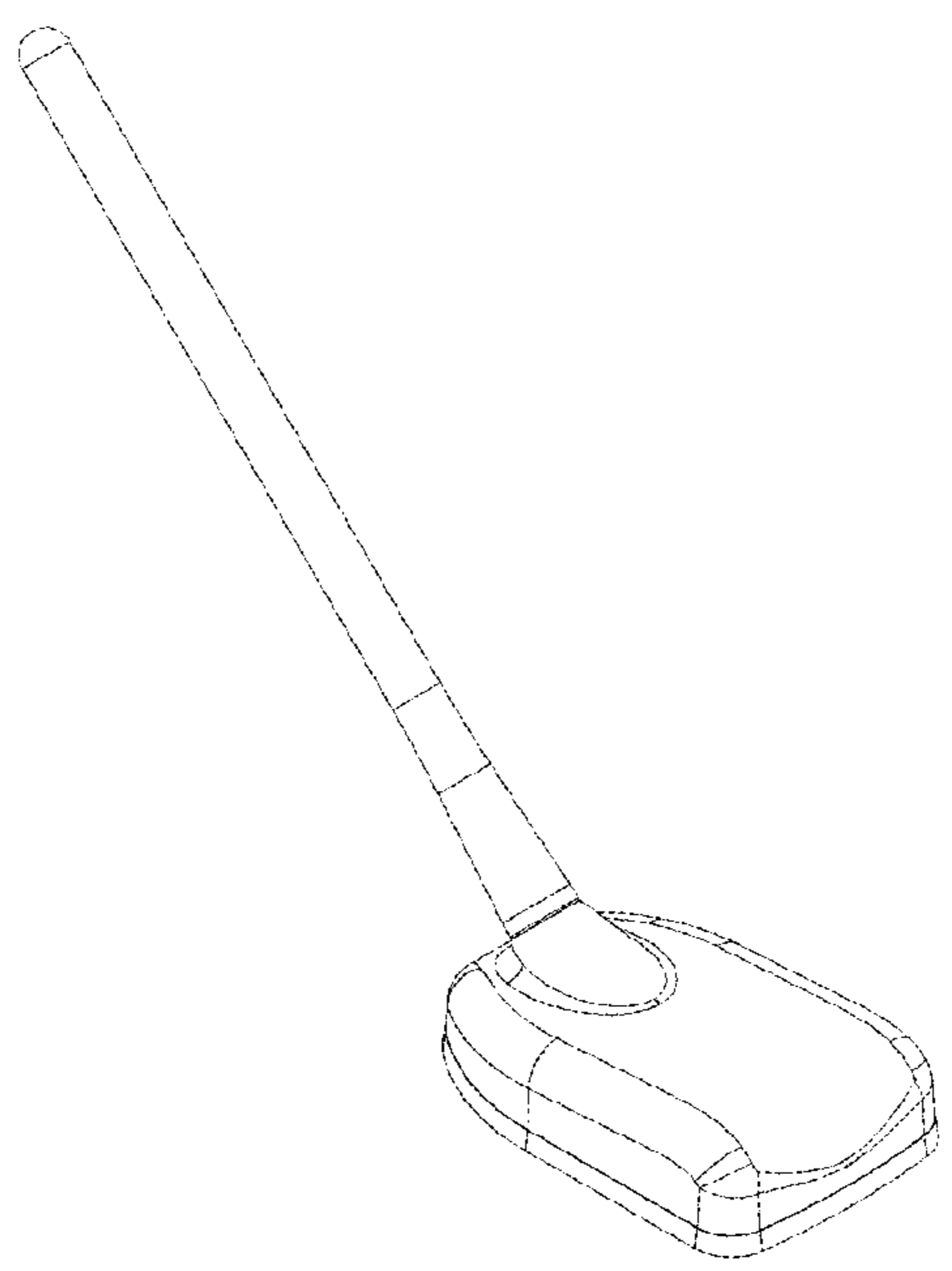
6,486,843 B2 * 11/2002 Wang H01Q 1/084
343/715
D472,892 S * 4/2003 Tourres D14/230
D481,028 S * 10/2003 Wu D14/230
6,680,706 B2 * 1/2004 Loftus, Jr. H01Q 1/005
343/715
6,791,501 B2 * 9/2004 Maeda H01Q 1/084
343/715
D519,991 S * 5/2006 Chapman D14/230
D581,908 S * 12/2008 Jeong D14/230
D623,174 S * 9/2010 Hakamata D14/230
D691,599 S * 10/2013 Mukaide D14/230
D808,938 S * 1/2018 Gomez D14/230
D813,209 S * 3/2018 Johnson D14/230
2017/0133764 A1 * 5/2017 Tinaphong H01Q 1/2291

* cited by examiner
Primary Examiner — John Windmuller
(74) *Attorney, Agent, or Firm* — Knobbe, Martens, Olson & Bear, LLP; Kevin J. Everett

(57) **CLAIM**
The ornamental design for a vehicle antenna module, as shown and described.

DESCRIPTION
FIG. 1 is a perspective top left view of a vehicle antenna module according to the present invention; FIG. 2 is a front elevational view thereof; FIG. 3 is a rear elevational view thereof; FIG. 4 is a left side elevational view thereof; FIG. 5 is a right elevational view thereof; FIG. 6 is a top plan view thereof; and, FIG. 7 is a left side elevational view showing the vehicle antenna module in use, mounted on a roof of a vehicle. The broken lines shown in FIG. 7 illustrate environmental subject matter only, such as a roof of a vehicle, and form no part of the claimed design.

1 Claim, 3 Drawing Sheets



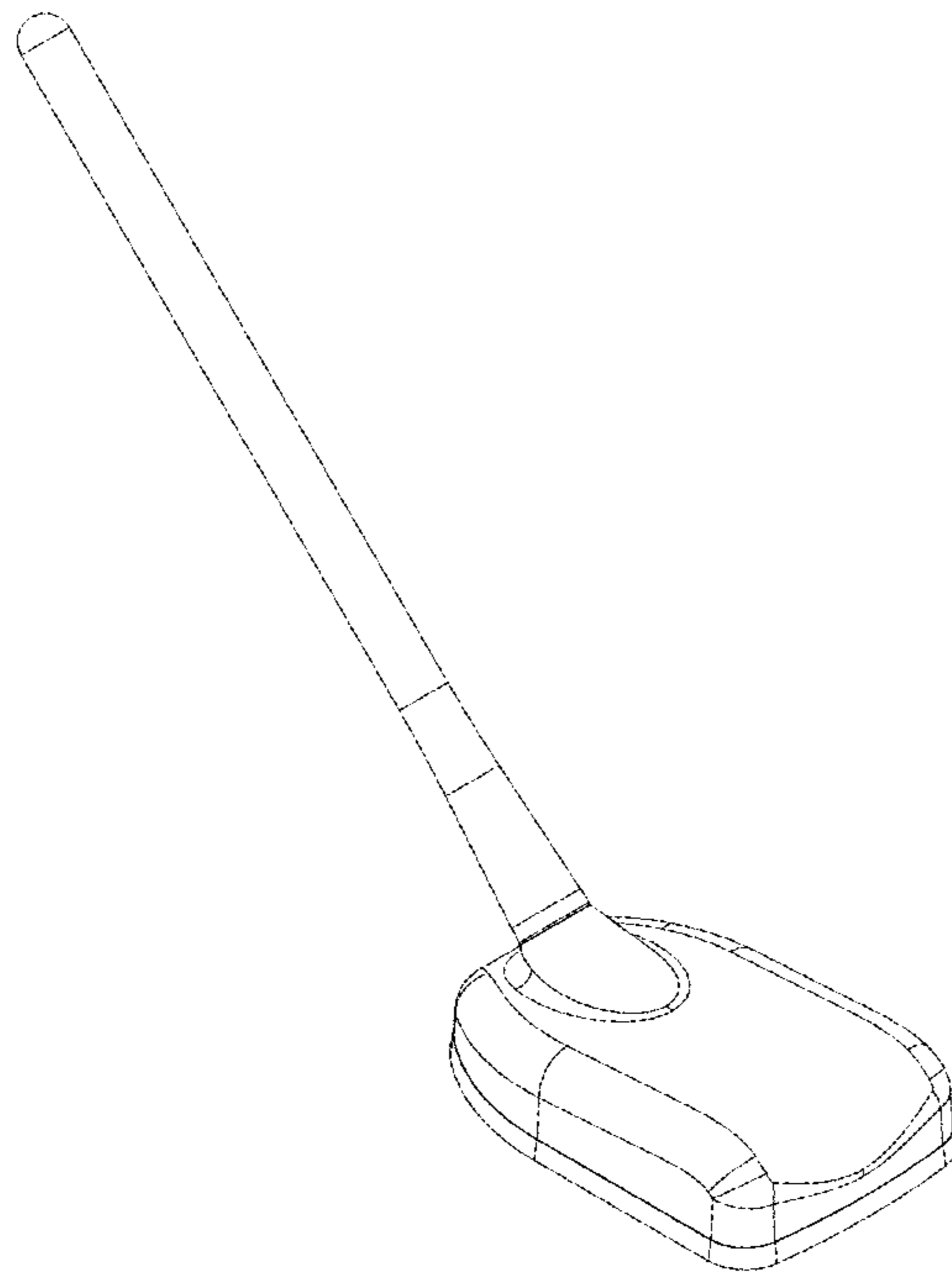


FIG. 1

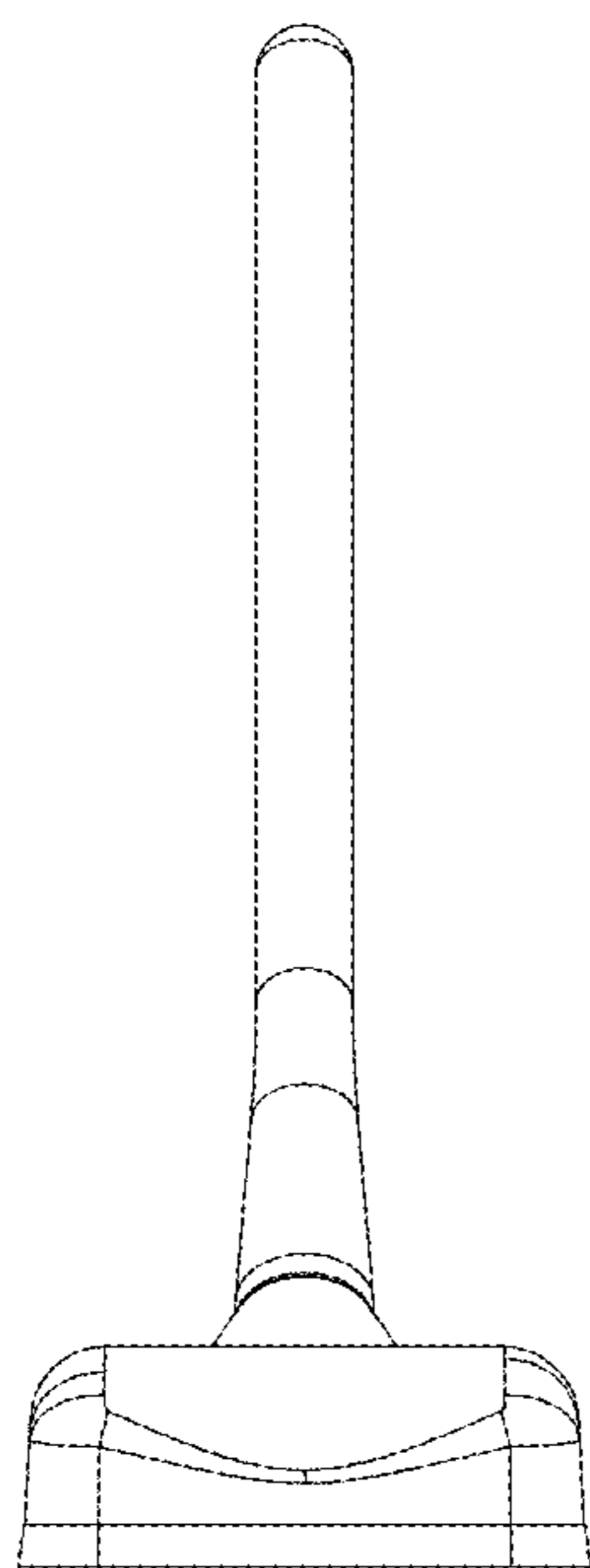


FIG. 2

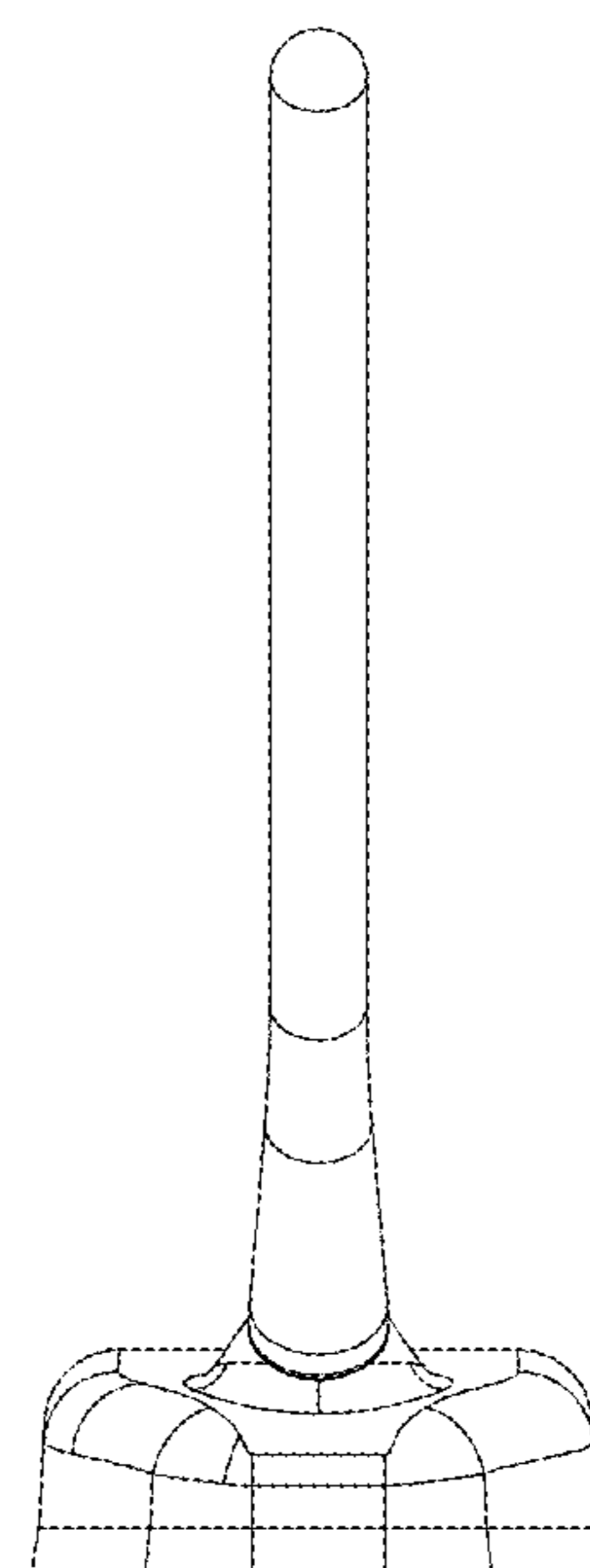


FIG. 3

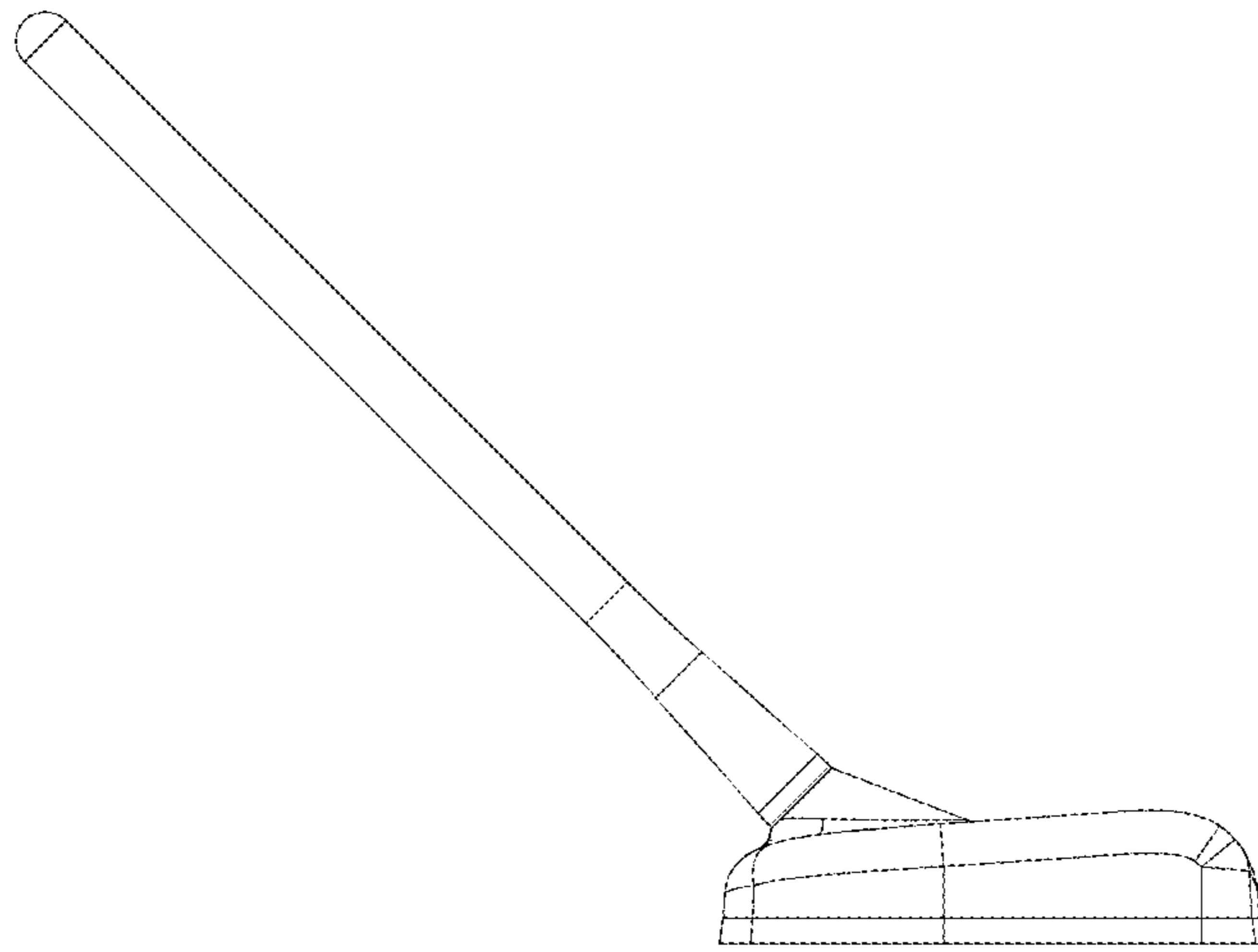


FIG. 4

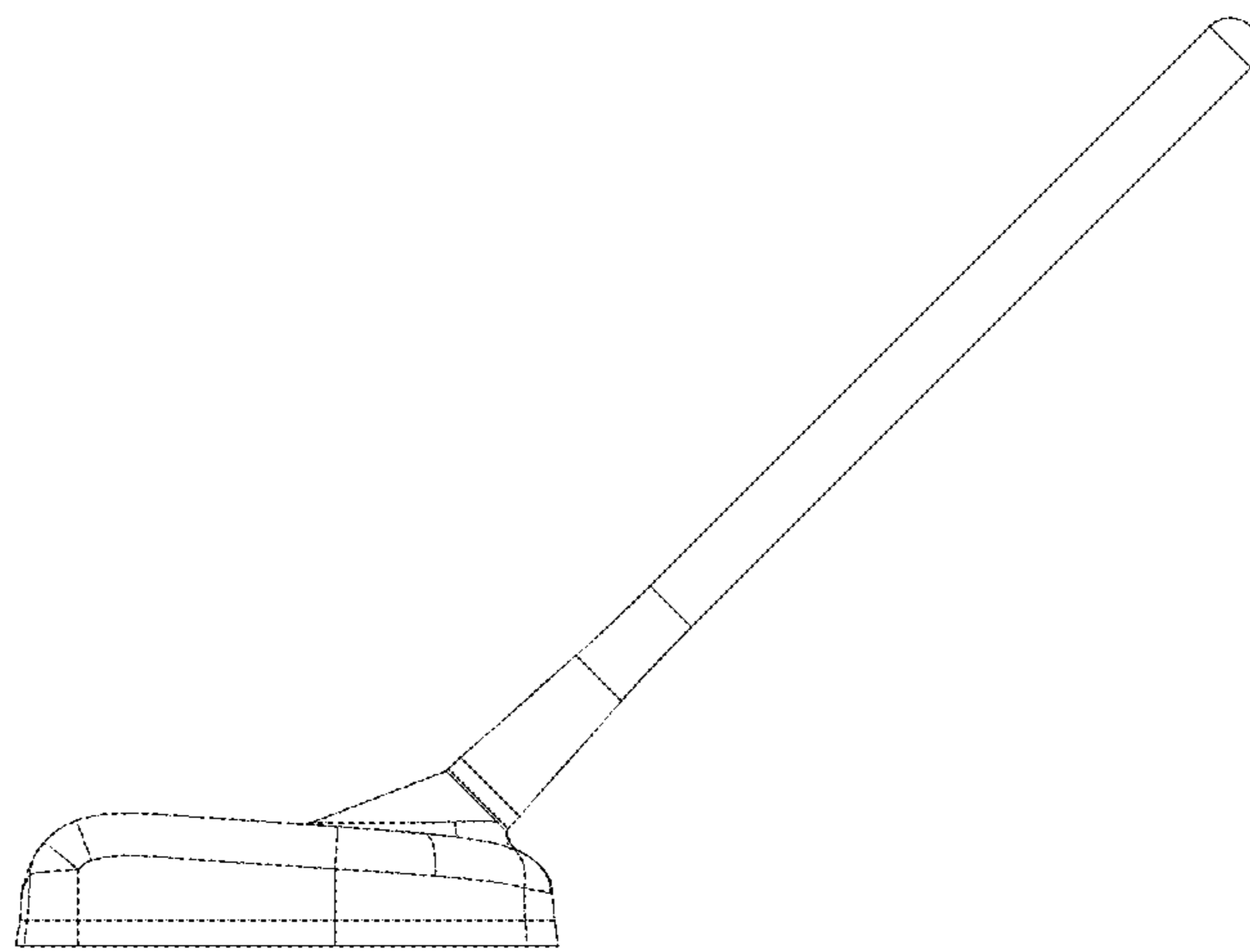


FIG. 5

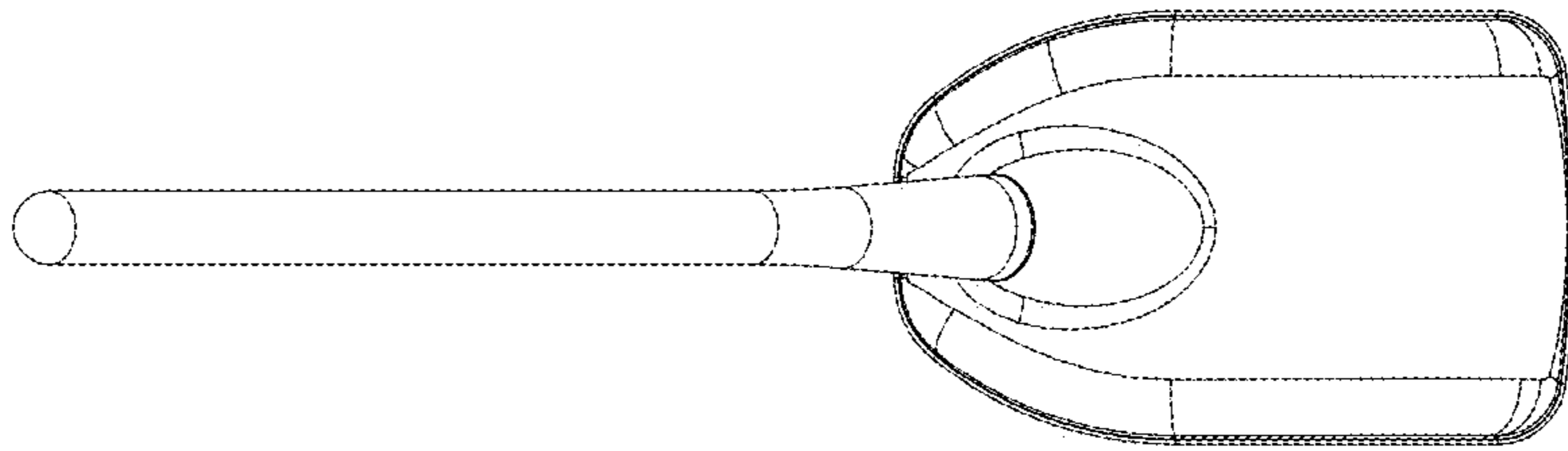


FIG. 6

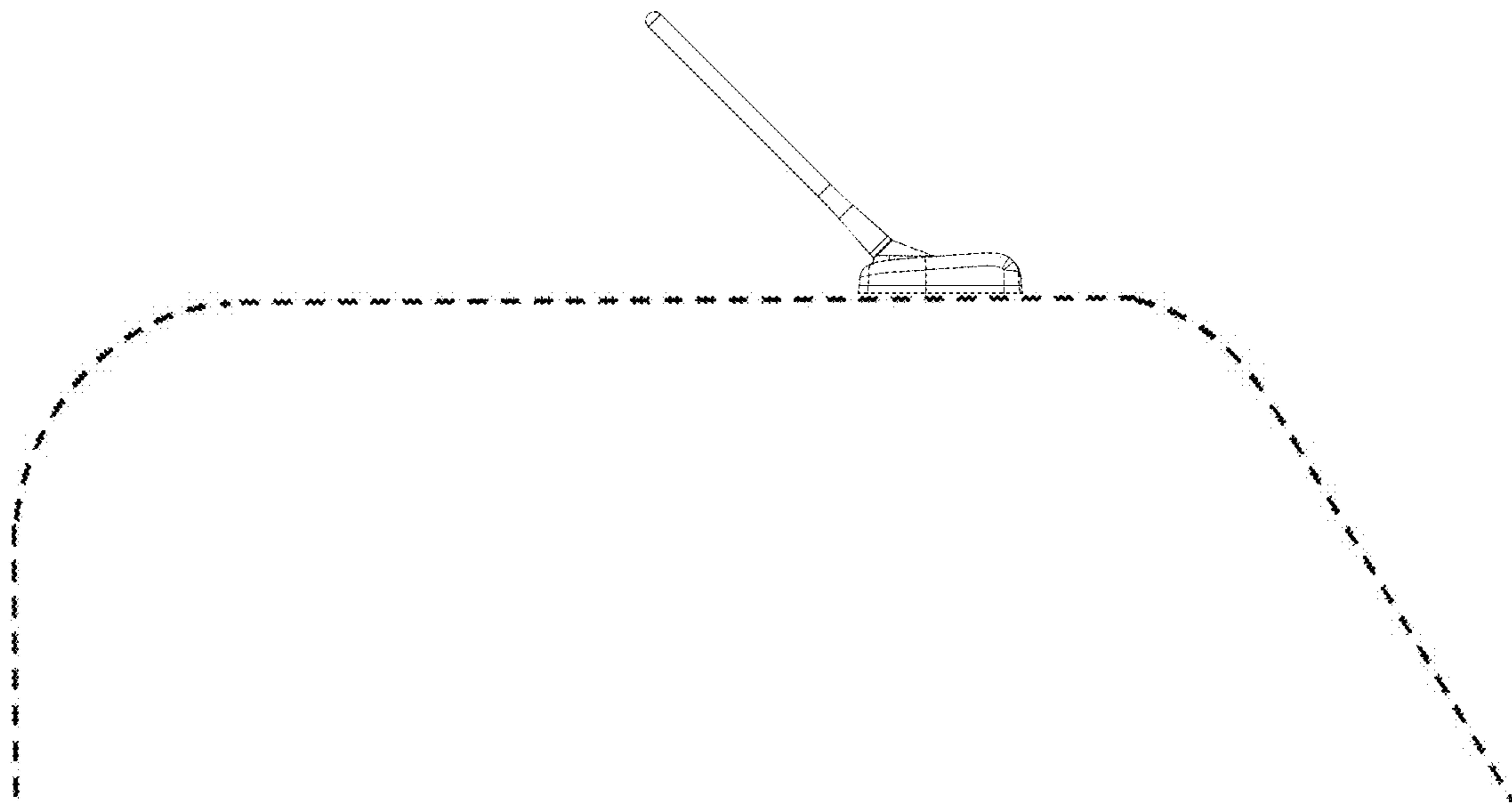


FIG. 7