



US00D874444S

(12) **United States Design Patent**
Chang et al.

(10) **Patent No.:** **US D874,444 S**

(45) **Date of Patent:** **** Feb. 4, 2020**

- (54) **HEADSET**
- (71) Applicant: **Quanta Computer Inc.**, Taoyuan (TW)
- (72) Inventors: **Jung-Wen Chang**, Taoyuan (TW);
Kao-Yu Hsu, Taoyuan (TW)
- (73) Assignee: **QUANTA COMPUTER INC.**,
Guishan Dist., Taoyuan (TW)
- (**) Term: **15 Years**
- (21) Appl. No.: **29/660,083**
- (22) Filed: **Aug. 17, 2018**
- (30) **Foreign Application Priority Data**

Jul. 5, 2018 (TW) 107303831

- (51) **LOC (12) Cl.** **14-01**
- (52) **U.S. Cl.**
USPC **D14/223**
- (58) **Field of Classification Search**
USPC D14/223, 205, 225, 206, 226; D24/174;
128/864, 865, 866; 181/129, 130, 135;
379/430, 431; 381/380, 381; 455/90.3,
455/575.1, 569.1
CPC H04R 1/10; H04R 25/00; H04R 1/1066;
H04R 1/1016; H04R 5/033; H04R
5/0335; H04R 1/105; H04R 1/1058
See application file for complete search history.

(56) **References Cited**

U.S. PATENT DOCUMENTS

- D374,874 S * 10/1996 Lindeman D14/219
- D444,143 S * 6/2001 Andreini D14/228
- D532,110 S * 11/2006 Bailey D24/174
- D582,397 S * 12/2008 Christopher D14/205
- D584,294 S * 1/2009 Nam D14/223
- D585,429 S * 1/2009 Dean D14/223

- 7,539,525 B2 * 5/2009 Kim H04M 1/05
379/433.13
- D603,378 S * 11/2009 Paradise D14/223
- D604,722 S * 11/2009 Mistry D14/223
- D621,817 S * 8/2010 Brickstad D14/223
- D622,265 S * 8/2010 Rye D14/223
- D622,704 S * 8/2010 Fahrendorff D14/223
- 7,778,410 B2 * 8/2010 Liu H04M 1/05
379/430
- D623,629 S * 9/2010 Lau D14/223
- D628,188 S * 11/2010 Koch D14/205
- D630,181 S * 1/2011 Xiao D14/138 AA
- D645,457 S * 9/2011 Carr D14/223
- D655,693 S * 3/2012 Silvestri D14/223
- D656,490 S * 3/2012 Birger D14/223
- D657,781 S * 4/2012 Yang D14/223
- 8,311,253 B2 * 11/2012 Silvestri H04R 1/1075
181/129
- D693,796 S * 11/2013 Birger D14/223
- D716,770 S * 11/2014 Bonahoom D14/223
- D746,267 S * 12/2015 Birger D14/223

(Continued)

Primary Examiner — Paula Allen Greene

(74) *Attorney, Agent, or Firm* — McClure, Qualey & Rodack, LLP

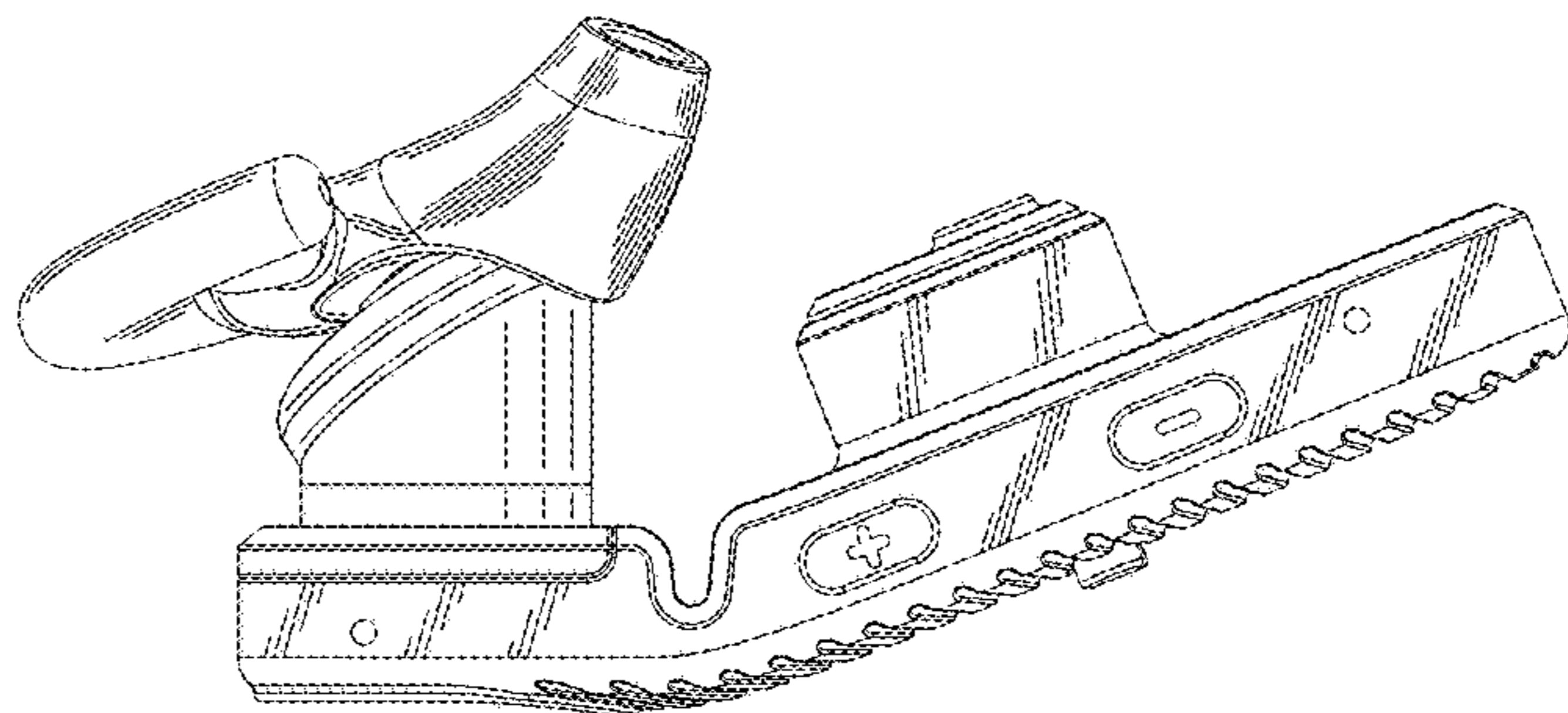
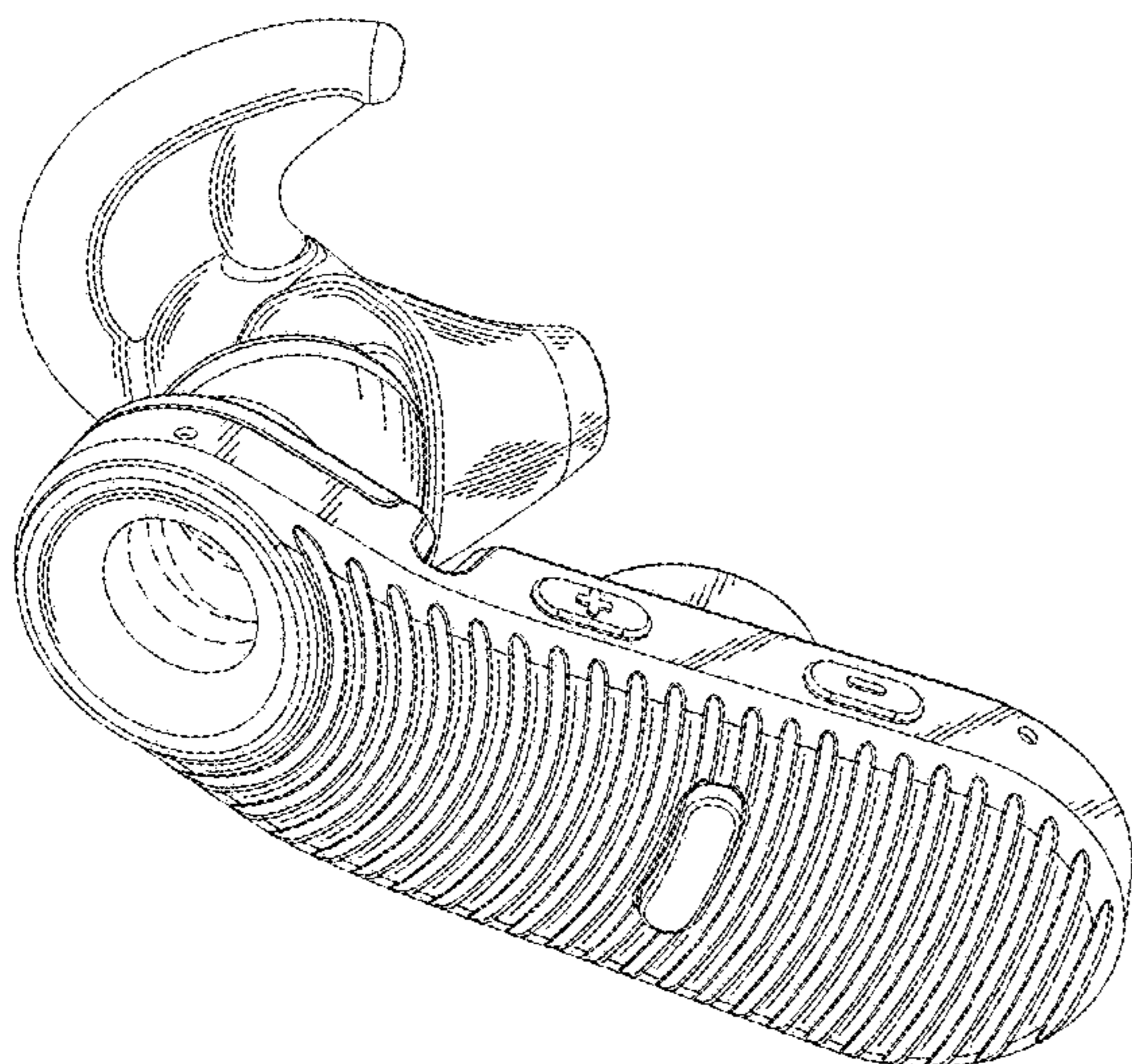
(57) **CLAIM**

The ornamental design for a headset, as shown and described.

DESCRIPTION

FIG. 1 is a perspective view of a headset, showing our new and ornamental design;
 FIG. 2 is a front view thereof;
 FIG. 3 is a rear view thereof;
 FIG. 4 is a left side view thereof;
 FIG. 5 is a right side view thereof;
 FIG. 6 is a top plan view thereof; and,
 FIG. 7 is a bottom plan view thereof.
 The broken lines in the drawings depict environment that form no part of the claimed design.

1 Claim, 7 Drawing Sheets



(56)

References Cited

U.S. PATENT DOCUMENTS

D779,461	S	*	2/2017	Smith	D14/223
D792,380	S	*	7/2017	Harper	D14/223
D795,223	S	*	8/2017	Carr	D14/223
D808,360	S	*	1/2018	Arimoto	D14/205
D828,327	S	*	9/2018	Birger	D14/206
D845,281	S	*	4/2019	Lee	D14/223
D847,116	S	*	4/2019	Silva	D14/205
D860,975	S	*	9/2019	Briggs	D14/223
D862,424	S	*	10/2019	You	D14/223
D863,264	S	*	10/2019	Zhang	D14/223
2011/0261988	A1	*	10/2011	Kromann	H04R 1/1016 381/380
2014/0119589	A1	*	5/2014	Wyzisk	H04R 1/105 381/380
2016/0073186	A1	*	3/2016	Searl	H04R 1/1016 381/380

* cited by examiner

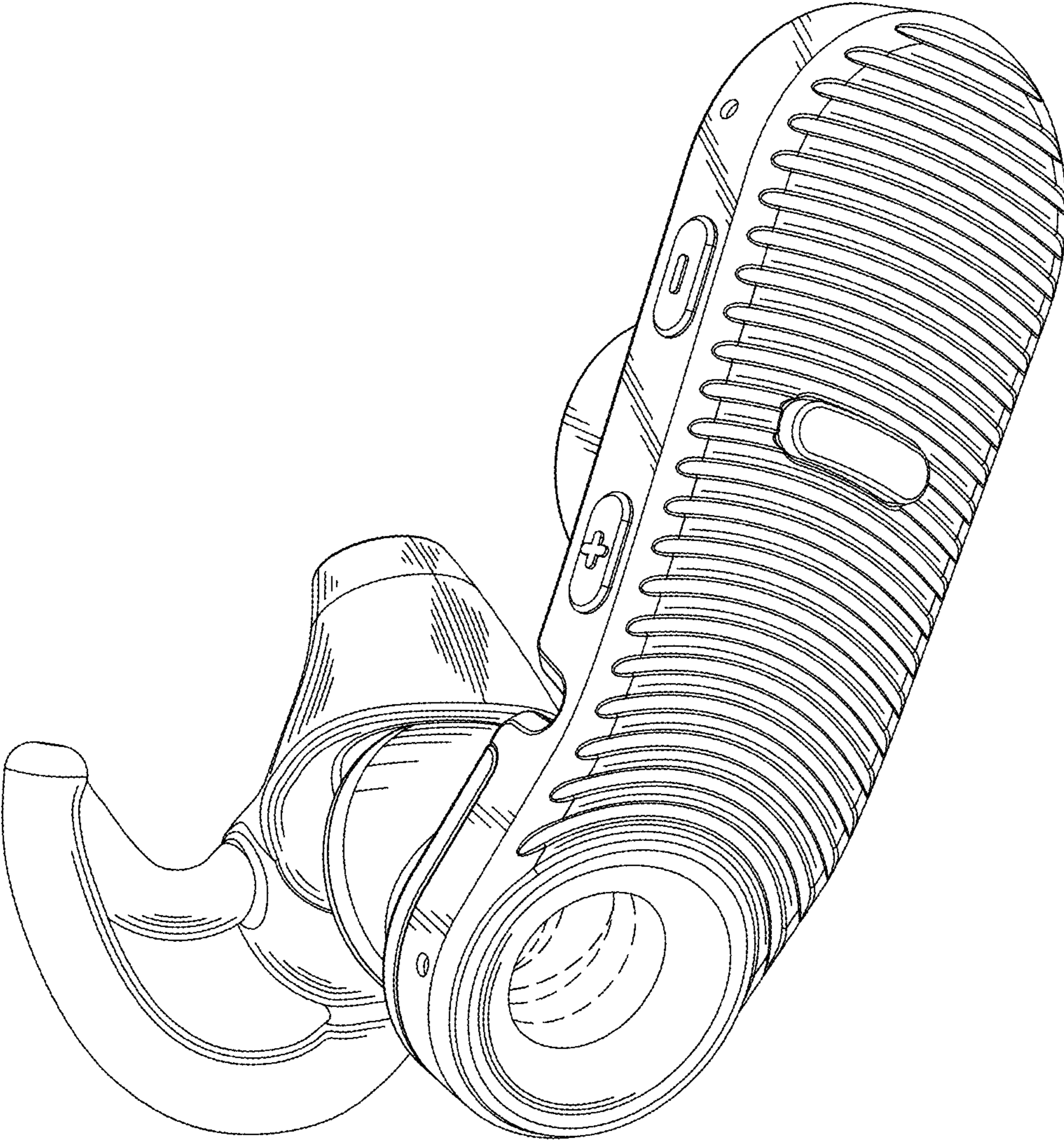


FIG. 1

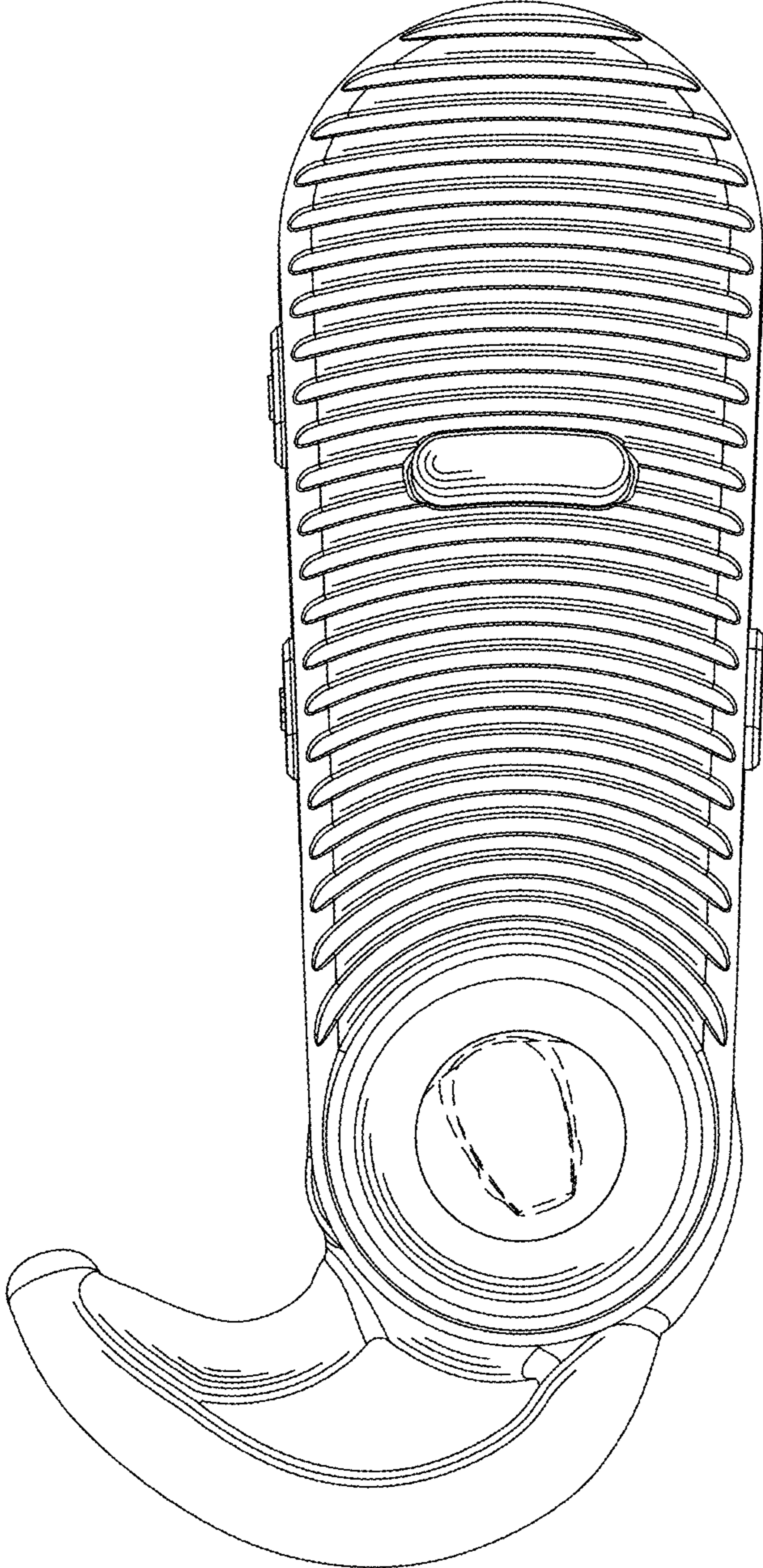


FIG. 2

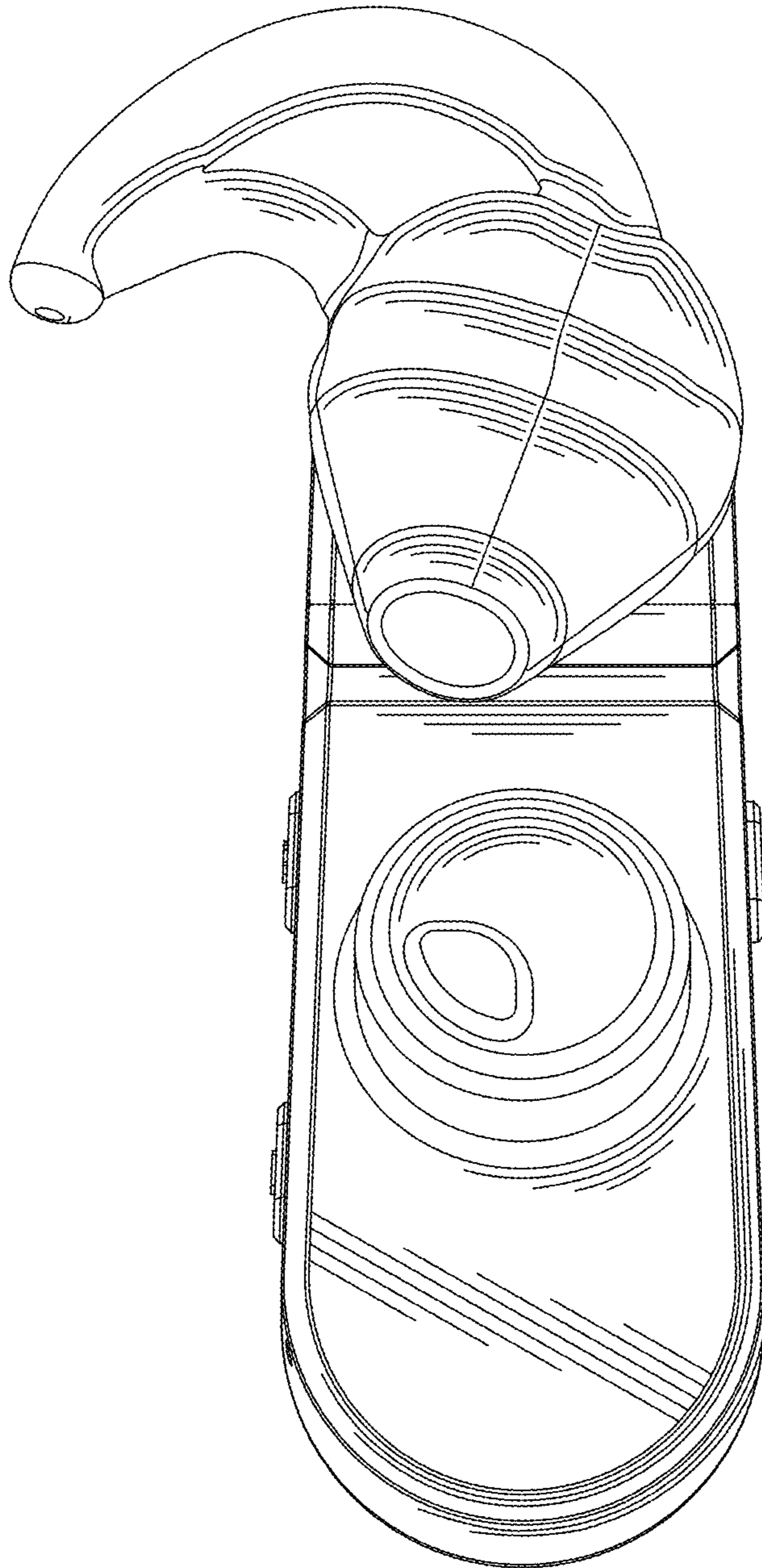


FIG. 3

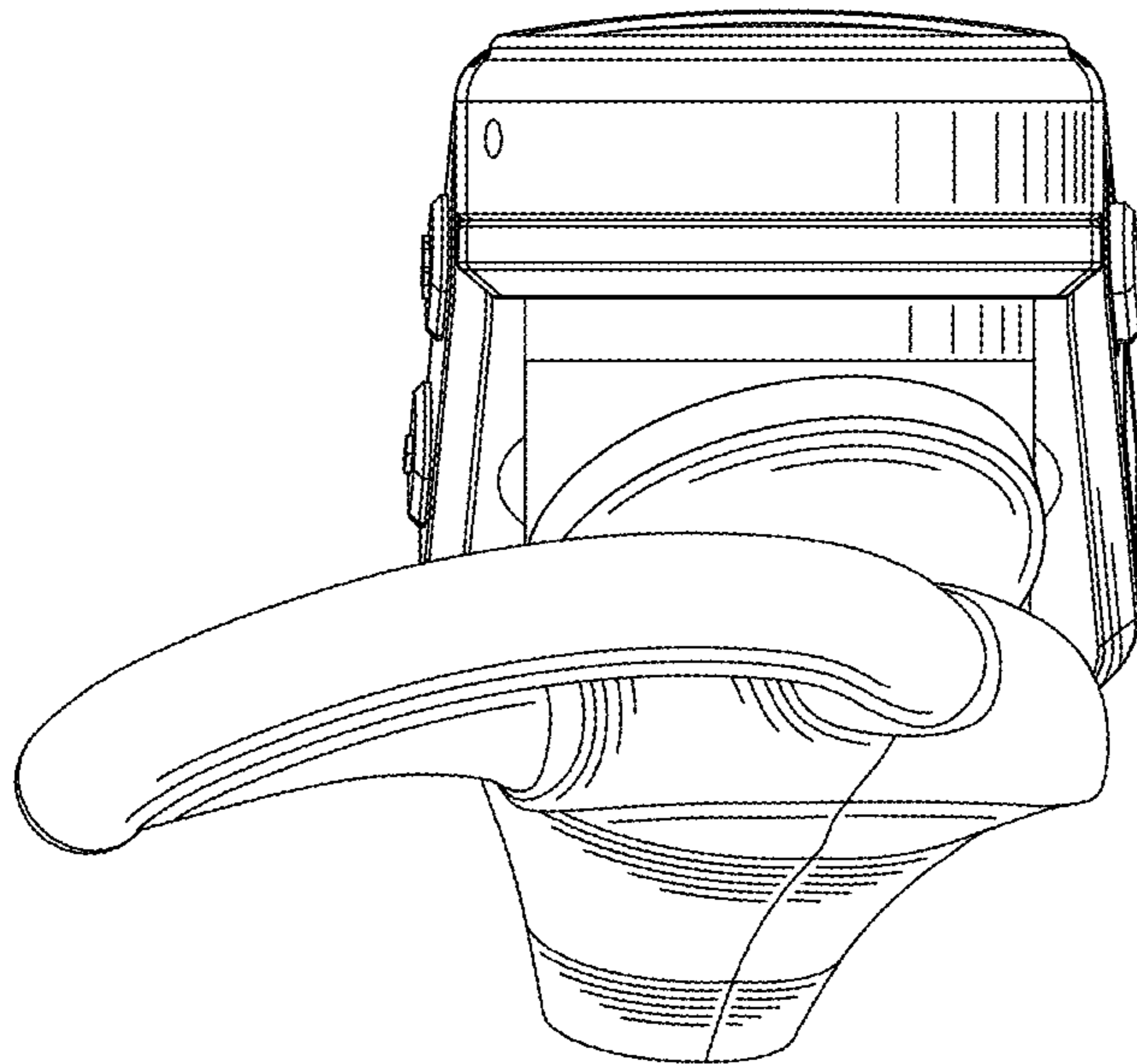


FIG. 4

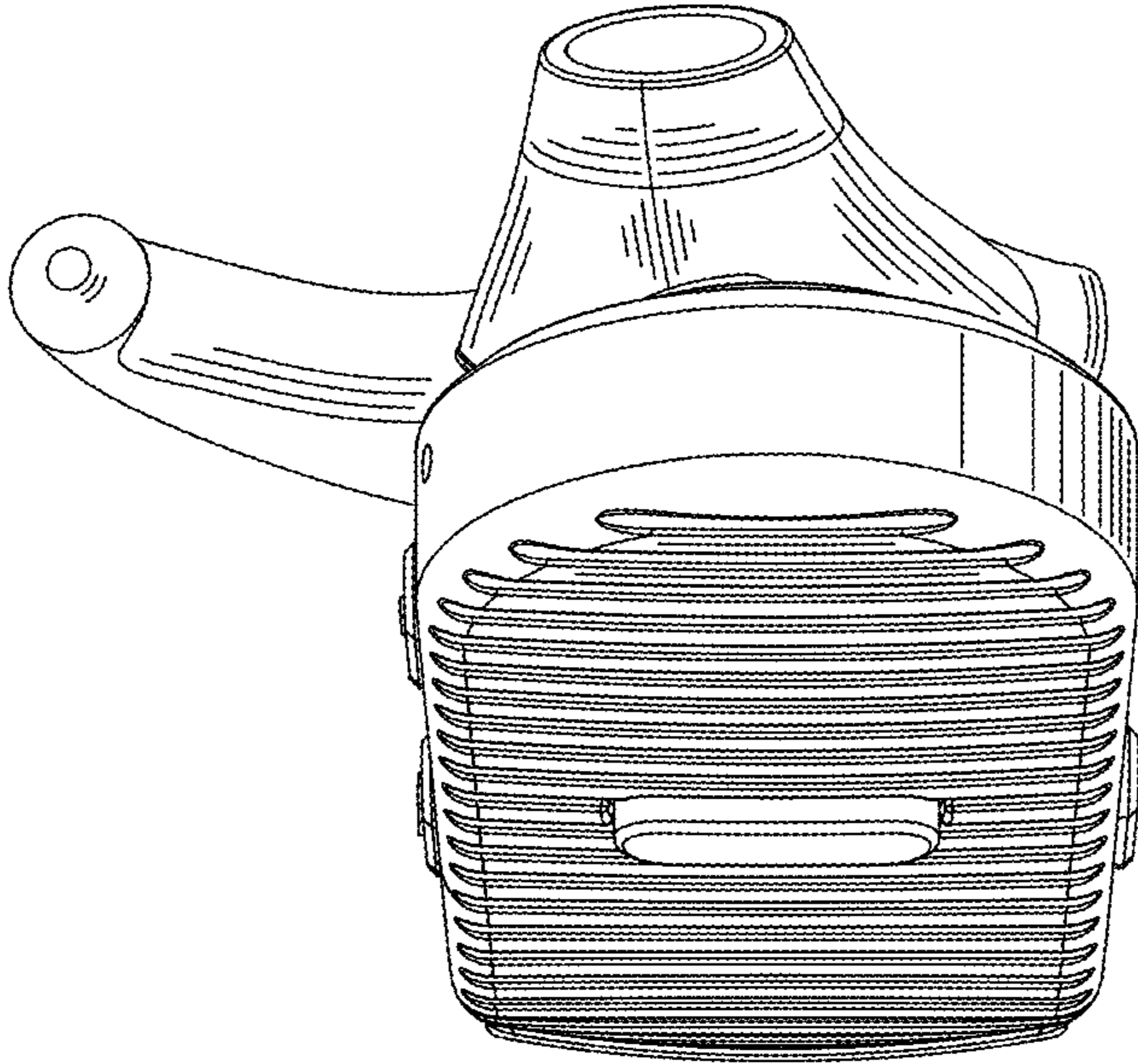


FIG. 5

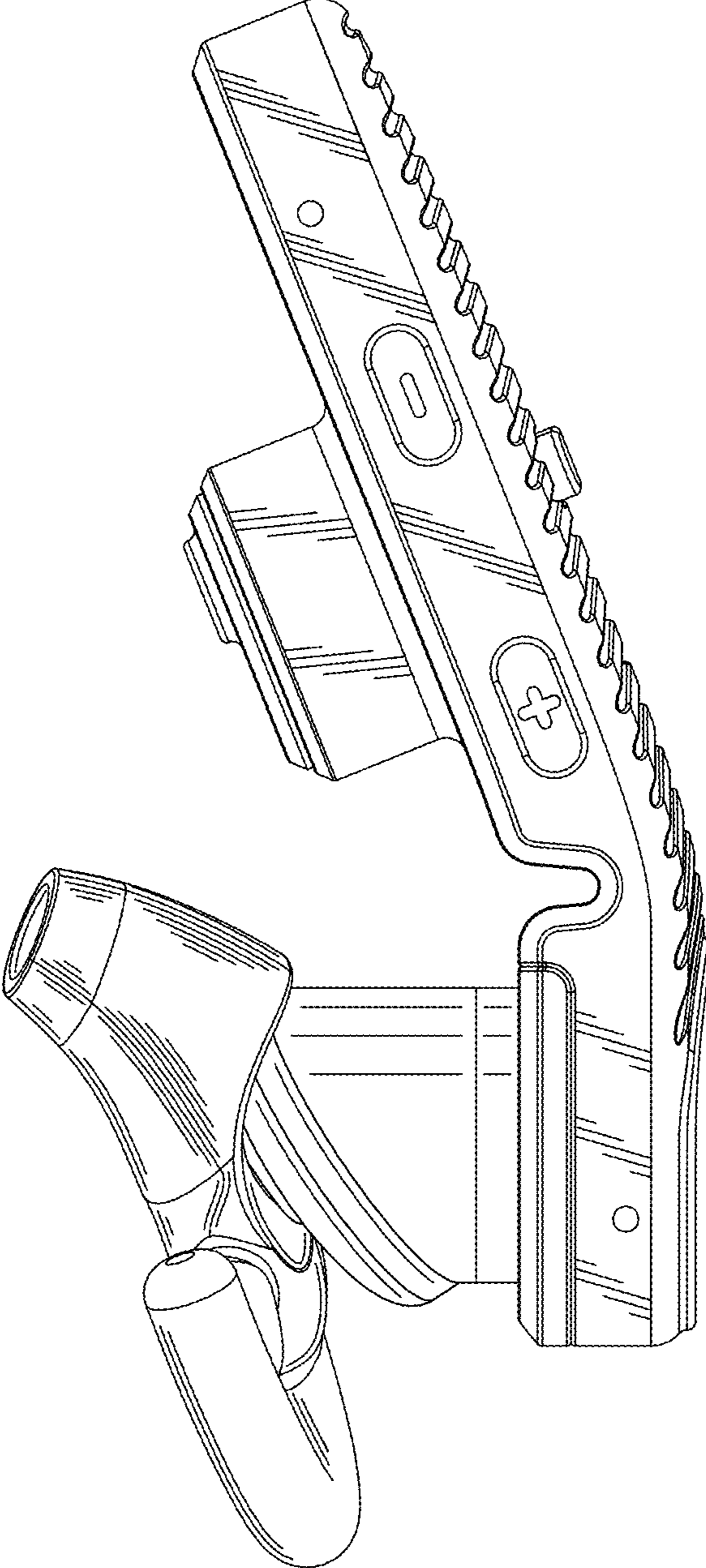


FIG. 6

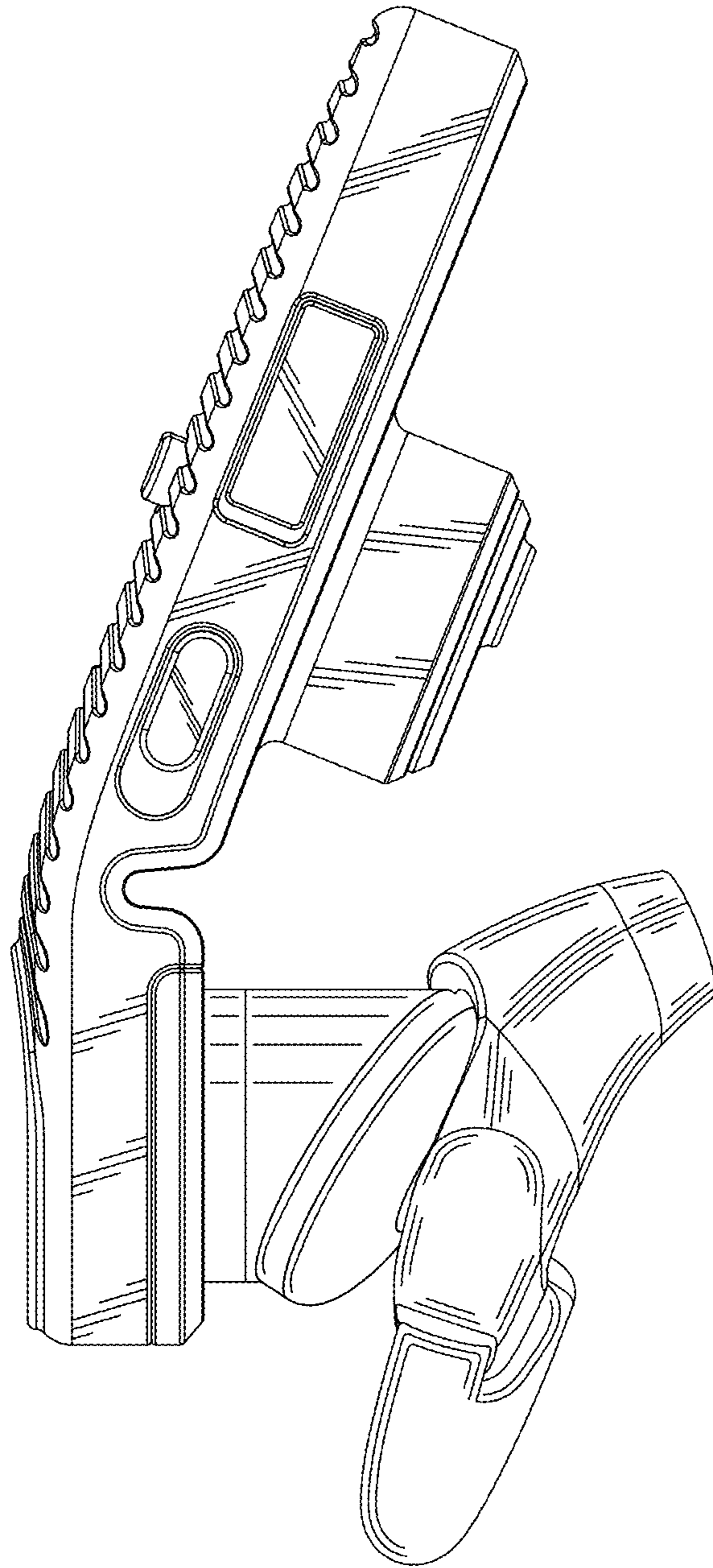


FIG. 7