



US00D874443S

(12) **United States Design Patent**
Yan

(10) **Patent No.:** **US D874,443 S**

(45) **Date of Patent:** **** Feb. 4, 2020**

(54) **WIRELESS HEADSET**

(71) Applicant: **SHENZHEN FUSHIKE ELECTRONIC CO., LTD.**, Shenzhen (CN)

(72) Inventor: **Xiaohuang Yan**, Fuzhou (CN)

(73) Assignee: **SHENZHEN FUSHIKE ELECTRONIC CO., LTD.**, Fuzhou, Jiangxi (CN)

(**) Term: **15 Years**

(21) Appl. No.: **29/658,439**

(22) Filed: **Jul. 31, 2018**

(51) **LOC (12) Cl.** **14-01**

(52) **U.S. Cl.**
USPC **D14/223**

(58) **Field of Classification Search**
USPC D14/223, 205; D24/174; 128/864, 865, 128/866; 181/129, 130, 135; 379/430, 379/431; 381/380, 381, 374; 455/90.3, 455/575.1, 569.1

CPC H04R 1/10; H04R 25/00; H04R 1/1016; H04R 1/1066; H04R 5/033; H04R 5/0335; H04R 1/105

See application file for complete search history.

(56) **References Cited**

U.S. PATENT DOCUMENTS

D395,312 S *	6/1998	Parsadayan	D14/218
D471,889 S *	3/2003	Rath	D14/205
D471,898 S *	3/2003	Bae	D14/205
6,760,459 B2 *	7/2004	Bae	H04R 1/1025 379/430
D494,569 S *	8/2004	Ma	D14/223
D494,570 S *	8/2004	Ma	D14/223
D498,750 S *	11/2004	Ma	D14/223
D502,171 S *	2/2005	Tang	D14/205

D504,884 S *	5/2005	Hering	D14/206
D509,210 S *	9/2005	Skulley	D14/205
D515,068 S *	2/2006	White	D14/188
D517,054 S *	3/2006	Yang	D14/205
D520,497 S *	5/2006	Yang	D14/223
D538,271 S *	3/2007	Kim	D14/223
D550,658 S *	9/2007	Wang	D14/223
D562,310 S *	2/2008	Moon	D14/223
D566,105 S *	4/2008	Yang	D14/223
D566,108 S *	4/2008	Kan	D14/223
D566,694 S *	4/2008	Kim	D14/223
D569,842 S *	5/2008	Yang	D14/205
D574,366 S *	8/2008	Sade	D14/223
D575,277 S *	8/2008	Gaarde	D14/205
D582,397 S *	12/2008	Christopher	D14/205
D589,945 S *	4/2009	Esses	D14/223
D590,813 S *	4/2009	Bradford	D14/205
D600,682 S *	9/2009	Wai	D14/223
D602,476 S *	10/2009	Lee	D14/223

(Continued)

FOREIGN PATENT DOCUMENTS

EM 001247076-0009 * 11/2010

Primary Examiner — Paula Allen Greene

(74) *Attorney, Agent, or Firm* — Juan Carlos A. Marquez; Marquez IP Law Office, PLLC

(57) **CLAIM**

The ornamental design for wireless headset, as shown and described.

DESCRIPTION

FIG. 1 is a perspective view of a wireless headset, showing my new design;

FIG. 2 is a front view thereof;

FIG. 3 is a rear view thereof;

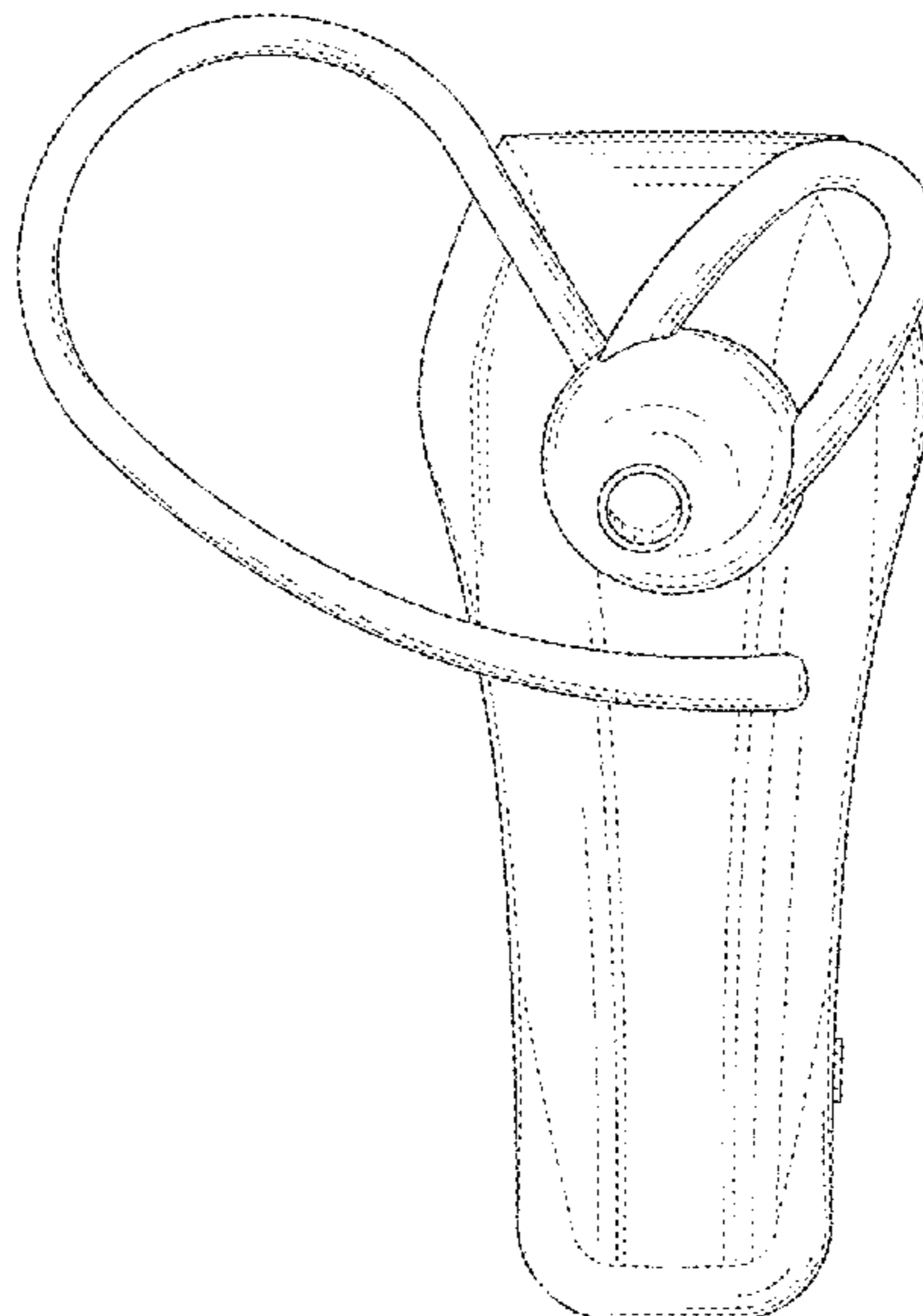
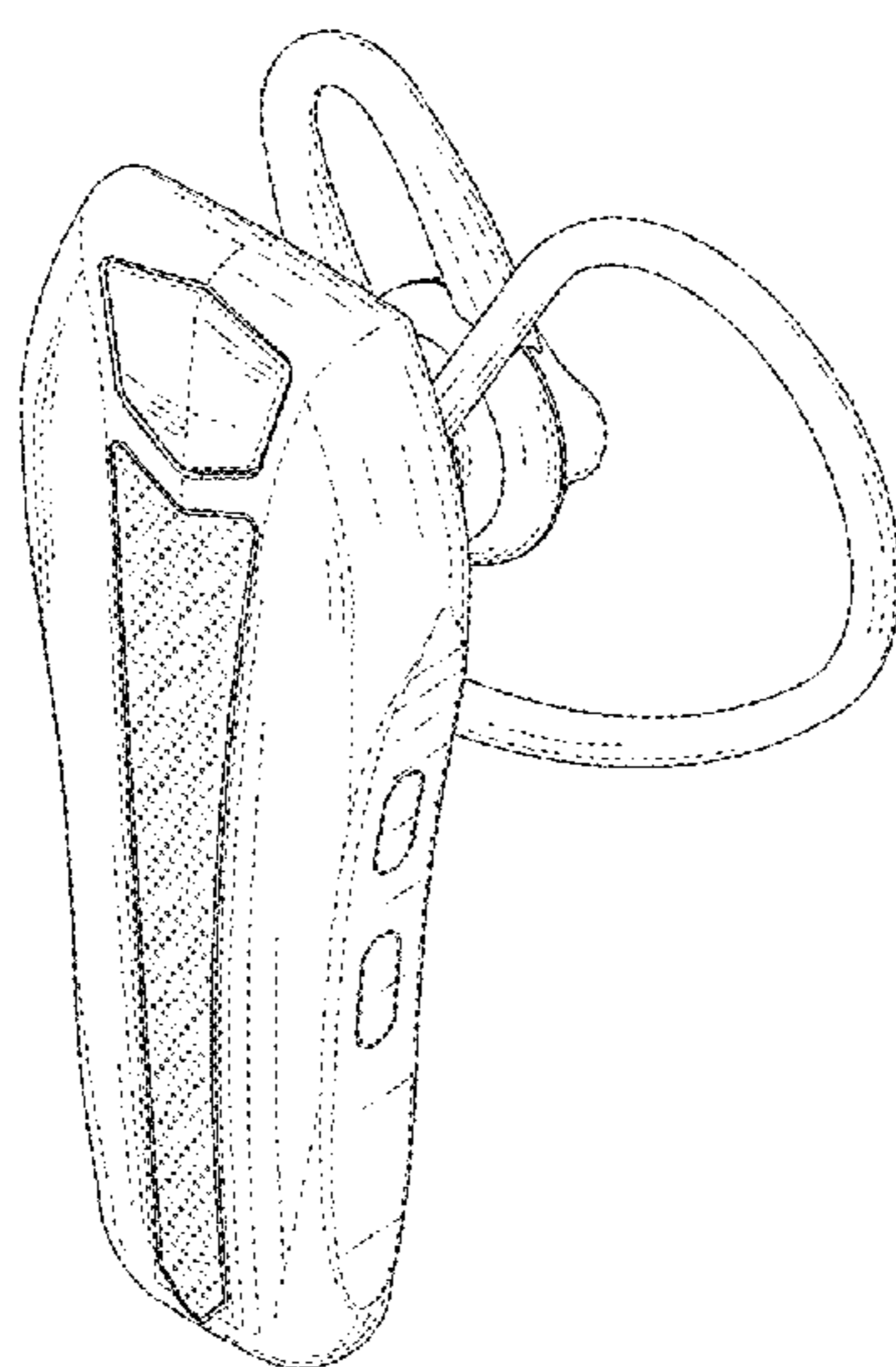
FIG. 4 is a left-side view thereof;

FIG. 5 is a right-side view thereof;

FIG. 6 is a top view thereof; and,

FIG. 7 is a bottom view thereof.

1 Claim, 6 Drawing Sheets



(56)

References Cited

U.S. PATENT DOCUMENTS

D604,722 S * 11/2009 Mistry D14/223
D619,998 S * 7/2010 Birger D14/223
D622,266 S * 8/2010 Tzeng D14/223
D622,855 S * 8/2010 Cano, Jr. D24/174
7,778,410 B2 * 8/2010 Liu H04M 1/05
379/430
D628,194 S * 11/2010 Koch D14/223
D630,622 S * 1/2011 Lee D14/223
D634,305 S * 3/2011 Hoggarth D14/223
D648,710 S * 11/2011 Ha D14/223
D656,128 S * 3/2012 Park D14/223
D664,522 S * 7/2012 Chen D14/223
D680,101 S * 4/2013 Koch D14/223
8,611,578 B2 * 12/2013 Kim H02J 7/0044
379/420.01
9,301,037 B1 * 3/2016 Kalyvas H04R 1/1066
D779,462 S * 2/2017 Birger D14/223
D817,931 S * 5/2018 Yao D14/223
2009/0304220 A1 * 12/2009 Fujikura H04R 1/1091
381/380
2013/0259286 A1 * 10/2013 Chung H04R 1/1016
381/380
2016/0261942 A1 * 9/2016 Hayden H04R 1/105
2017/0026738 A1 * 1/2017 Tang H04R 1/1091

* cited by examiner

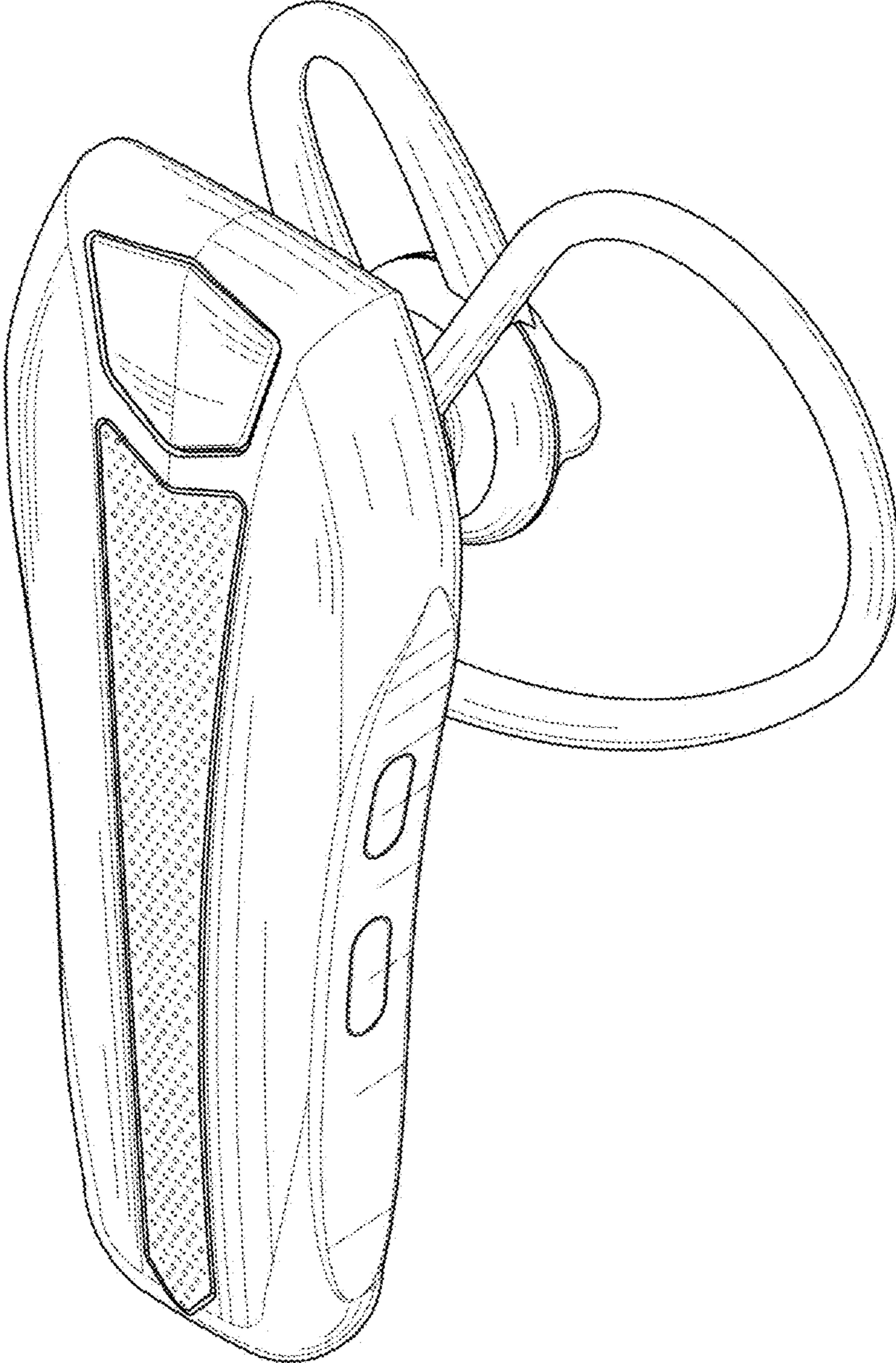


FIG. 1

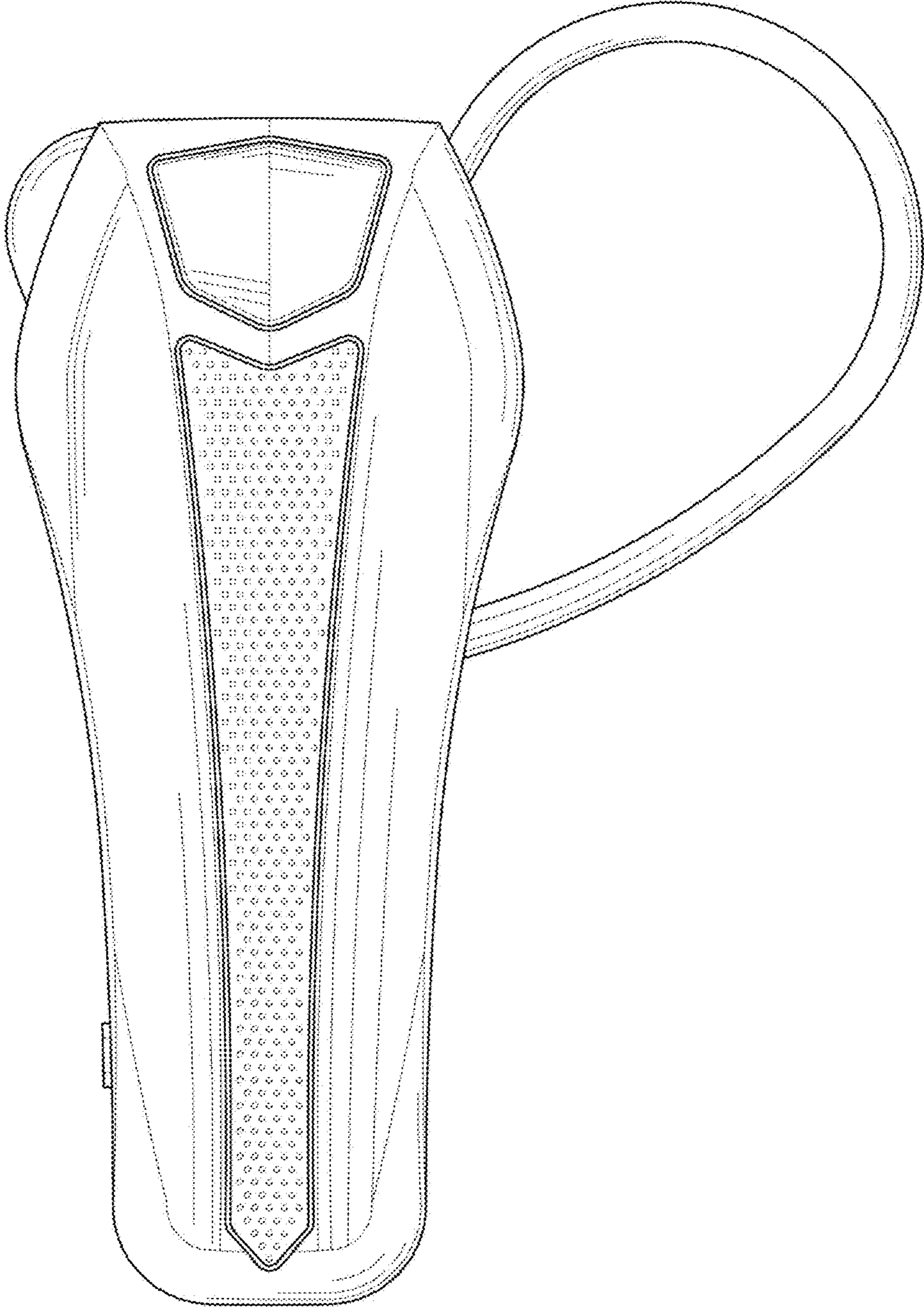


FIG. 2

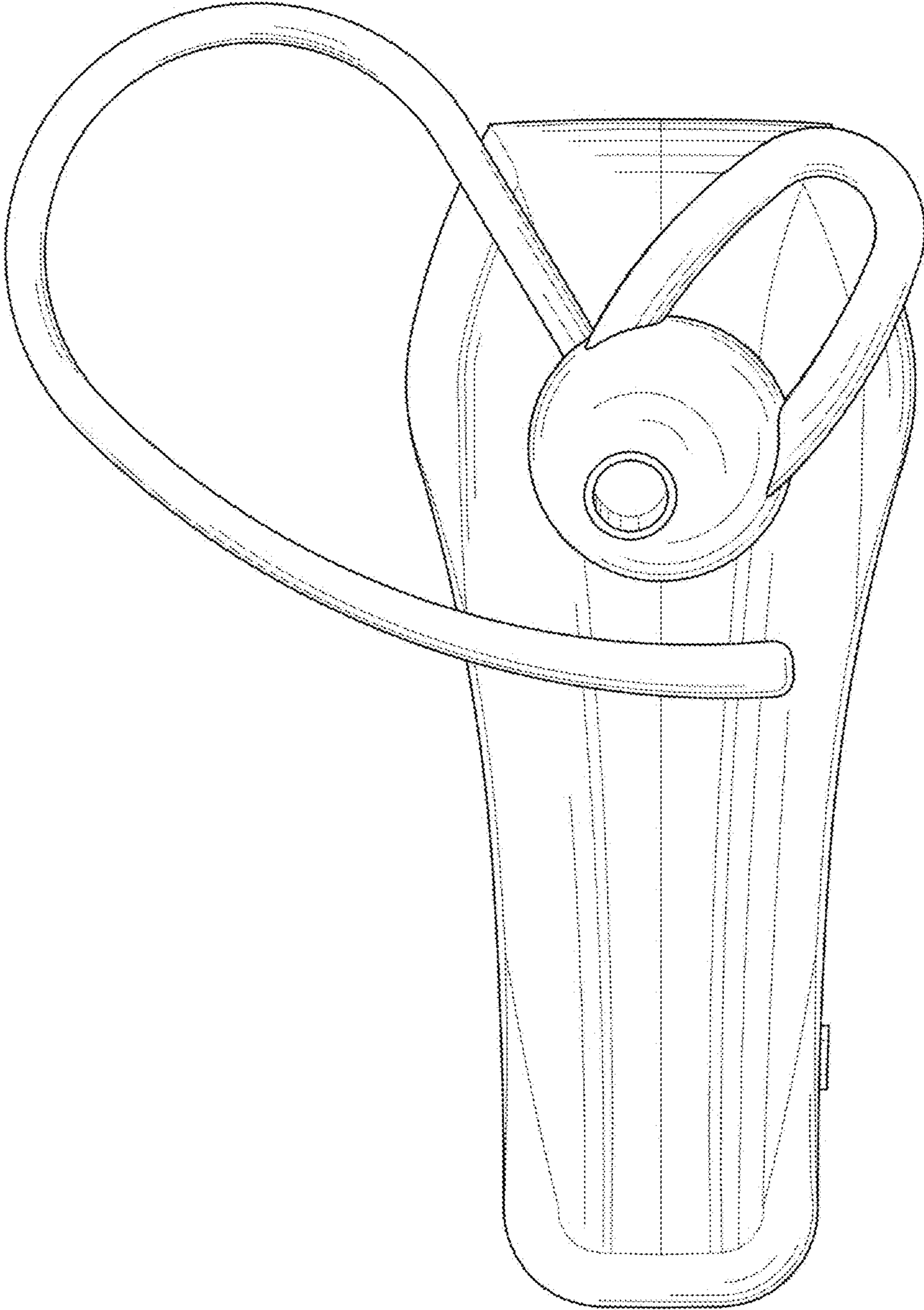


FIG. 3

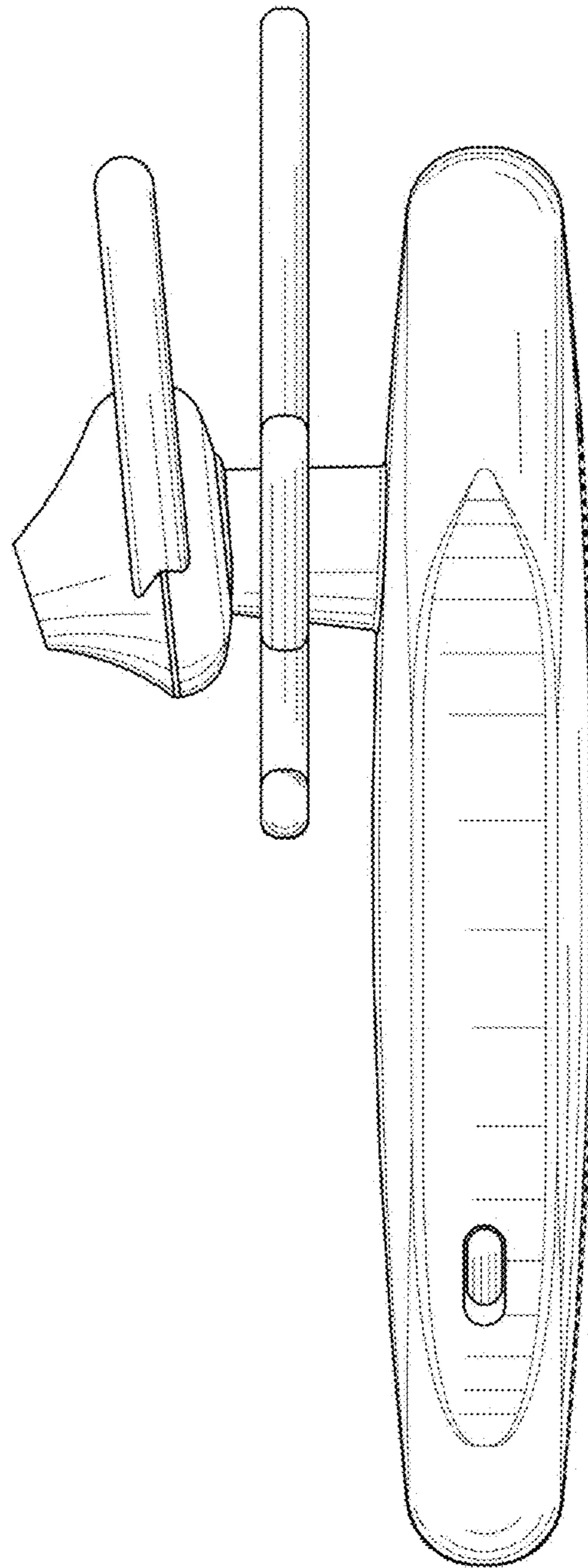


FIG. 4

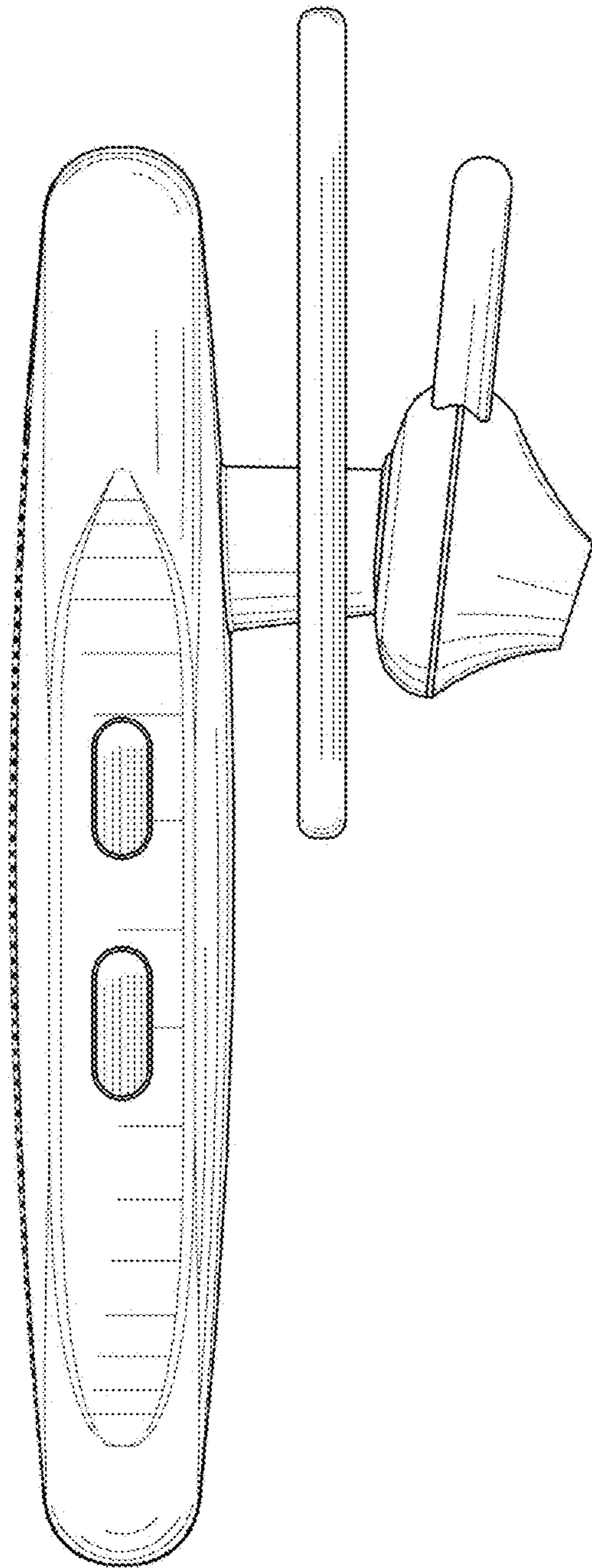


FIG. 5

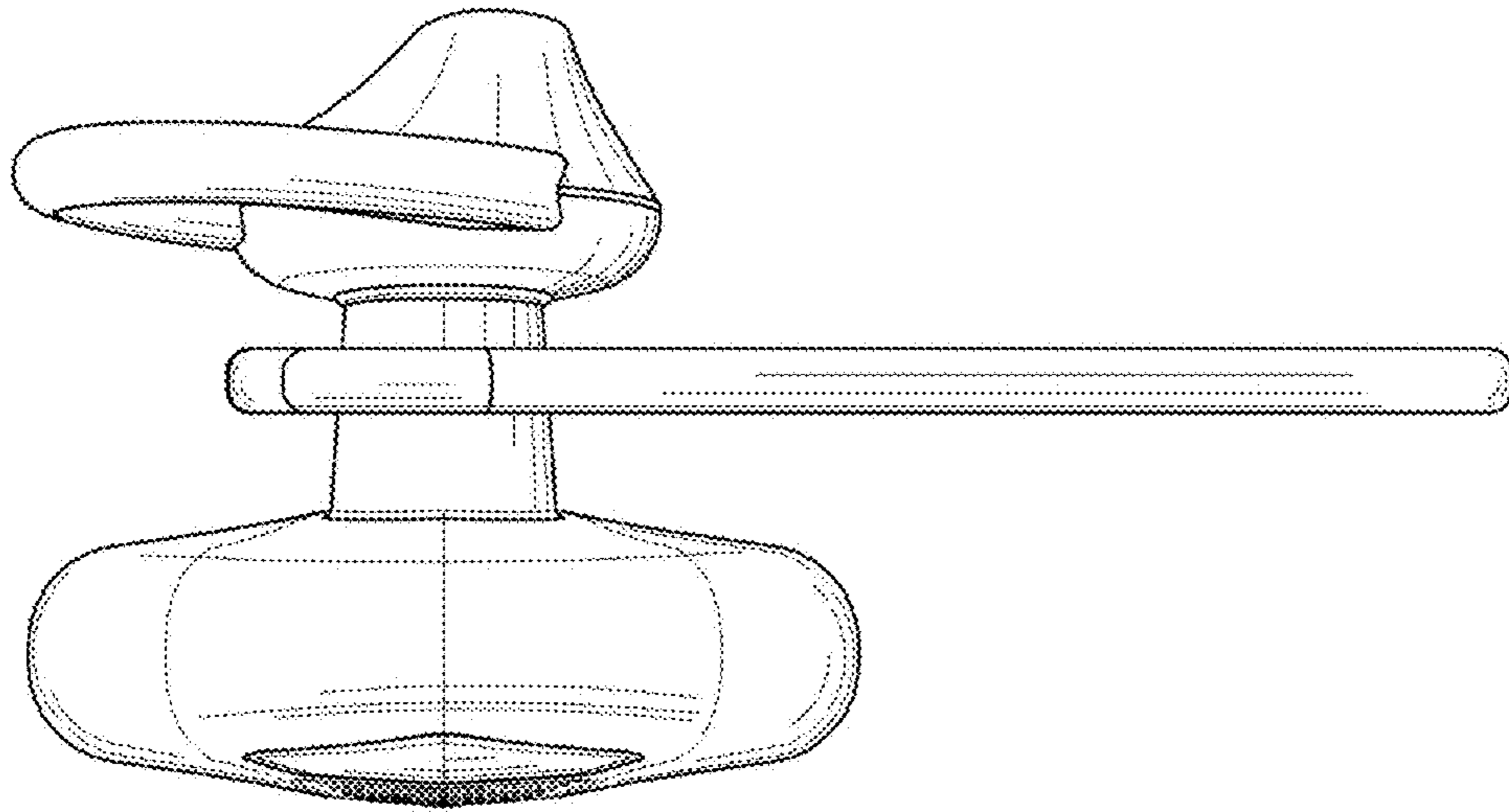


FIG. 6

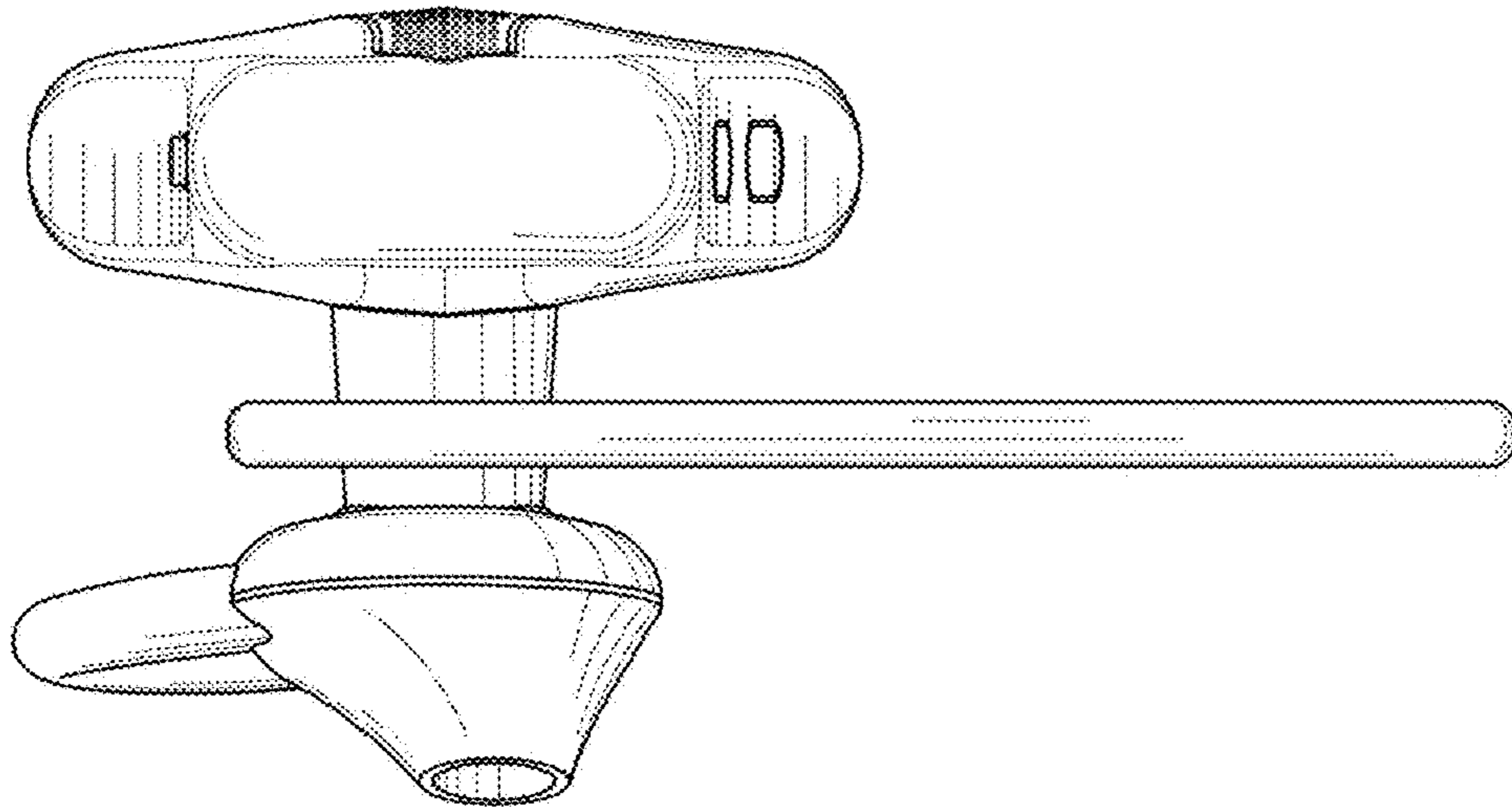


FIG. 7