



US00D874442S

(12) **United States Design Patent**  
**Evans**

(10) **Patent No.:** **US D874,442 S**

(45) **Date of Patent:** **\*\* Feb. 4, 2020**

- (54) **PAIR OF SHAREABLE EARBUDS**
- (71) Applicant: **Brittany Tamar Evans**, Fontana, CA (US)
- (72) Inventor: **Brittany Tamar Evans**, Fontana, CA (US)
- (\*\*) Term: **15 Years**
- (21) Appl. No.: **29/644,434**
- (22) Filed: **Apr. 17, 2018**
- (51) **LOC (12) Cl.** ..... **14-01**
- (52) **U.S. Cl.**  
USPC ..... **D14/223**
- (58) **Field of Classification Search**  
USPC ..... D14/223, 205; D24/174, 106; 128/864, 128/865, 866; 181/129, 130, 135; 379/430, 431; 381/380, 381, 372, 322, 381/328, 327; 455/90.3, 575.1, 569.1  
CPC ..... H04R 1/10; H04R 25/00; H04R 1/1016; H04R 1/1066; H04R 5/033; H04R 5/0335; H04R 1/1091; H04R 1/1033; H04R 1/1058  
See application file for complete search history.

- 4,443,668 A \* 4/1984 Warren ..... A61F 11/08 181/135
- 5,008,984 A \* 4/1991 Levy ..... A44C 5/2042 24/303
- 5,345,509 A \* 9/1994 Hofer ..... H04R 25/556 381/151
- 5,654,530 A \* 8/1997 Sauer ..... H04R 25/652 181/130
- D514,552 S \* 2/2006 Lee ..... D14/205
- D575,268 S \* 8/2008 Christopher ..... D14/205
- D604,717 S \* 11/2009 Choe ..... D14/205
- D614,168 S \* 4/2010 Rogers ..... D14/206
- D637,999 S \* 5/2011 Brunner ..... D14/205
- D652,817 S \* 1/2012 Lee ..... D14/205
- 8,139,809 B2 \* 3/2012 Jubelirer ..... H04R 1/08 381/370
- D660,290 S \* 5/2012 Weedon ..... D14/223
- 8,345,913 B2 \* 1/2013 Pang ..... H04R 1/1033 381/384
- D678,251 S \* 3/2013 Cantoni ..... D14/223
- D680,102 S \* 4/2013 Chen ..... D14/223

(Continued)

*Primary Examiner* — Paula Allen Greene

(57) **CLAIM**

The ornamental design for a pair of shareable earbuds, as shown and described.

**DESCRIPTION**

FIG. 1 is a disassembled top perspective view of a pair of shareable earbuds showing my new design; FIG. 2 is a disassembled bottom perspective view thereof; FIG. 3 is a disassembled front elevational view thereof; and, FIG. 4 is a disassembled cross sectional view, taken along line 4-of FIG. 3 thereof.

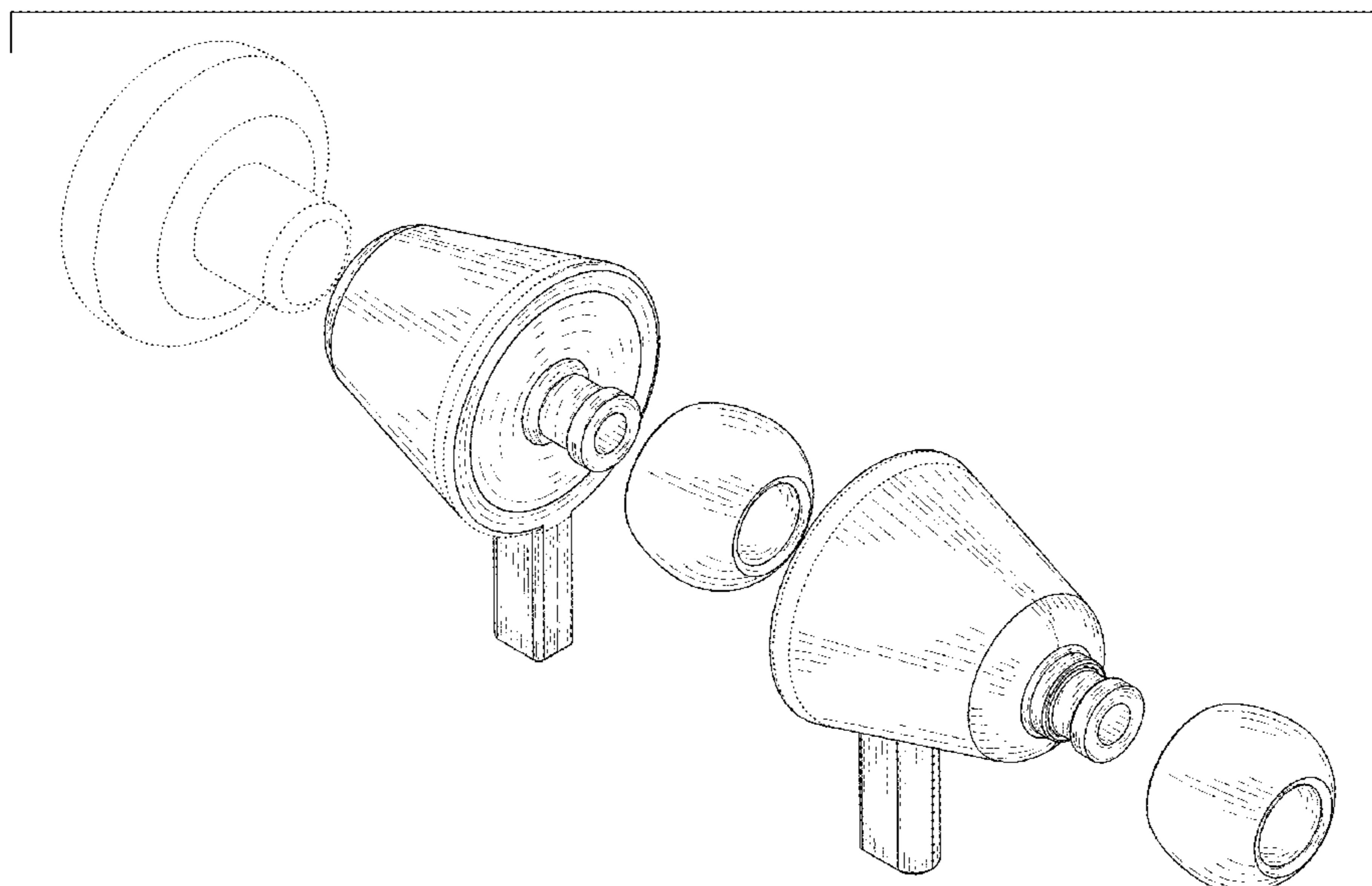
The broken line showing of the accessory attachment and magnetic ring shown in FIGS. 1-4 is included for the purpose of showing environmental structure and form no part of the claimed design.

**1 Claim, 4 Drawing Sheets**

(56) **References Cited**

U.S. PATENT DOCUMENTS

- 2,501,107 A \* 3/1950 Volkmann ..... H04R 5/0335 381/374
- 2,538,339 A \* 1/1951 Thomas ..... A61F 11/08 128/864
- 2,545,731 A \* 3/1951 French ..... H04R 25/604 181/135
- 2,623,256 A \* 12/1952 Feibelman ..... A44C 5/2076 24/303
- 3,129,477 A \* 4/1964 Mizuno ..... A44C 5/2076 24/303
- 3,197,576 A \* 7/1965 Martin ..... H04R 25/65 381/322



(56)

**References Cited**

U.S. PATENT DOCUMENTS

D681,001	S *	4/2013	Murchison .....	D14/205
D685,764	S *	7/2013	Coulter .....	D14/205
D711,356	S *	8/2014	Yang .....	D14/223
D719,551	S *	12/2014	Yang .....	D14/223
D726,145	S *	4/2015	Hsieh .....	D14/205
D736,178	S *	8/2015	Tsou .....	D14/206
D742,861	S *	11/2015	Miyake .....	D14/223
D764,445	S *	8/2016	Czaniecki .....	D14/223
D767,532	S *	9/2016	Jen .....	D14/205
D774,490	S *	12/2016	Lin .....	D14/205
D775,108	S *	12/2016	Hsieh .....	D14/223
D775,609	S *	1/2017	Lee .....	D14/223
D781,269	S *	3/2017	Choe .....	D14/223
D786,217	S *	5/2017	Stoch .....	D14/205
D813,206	S *	3/2018	Tang .....	D14/223
D842,269	S *	3/2019	Shin .....	D14/205
D842,843	S *	3/2019	Paschke .....	D14/223
2011/0044487	A1 *	2/2011	Nault .....	H04R 1/1033 381/380
2013/0058516	A1 *	3/2013	Sullivan .....	H04R 1/1033 381/380
2014/0140561	A1 *	5/2014	Lee .....	H04R 1/1016 381/370

\* cited by examiner

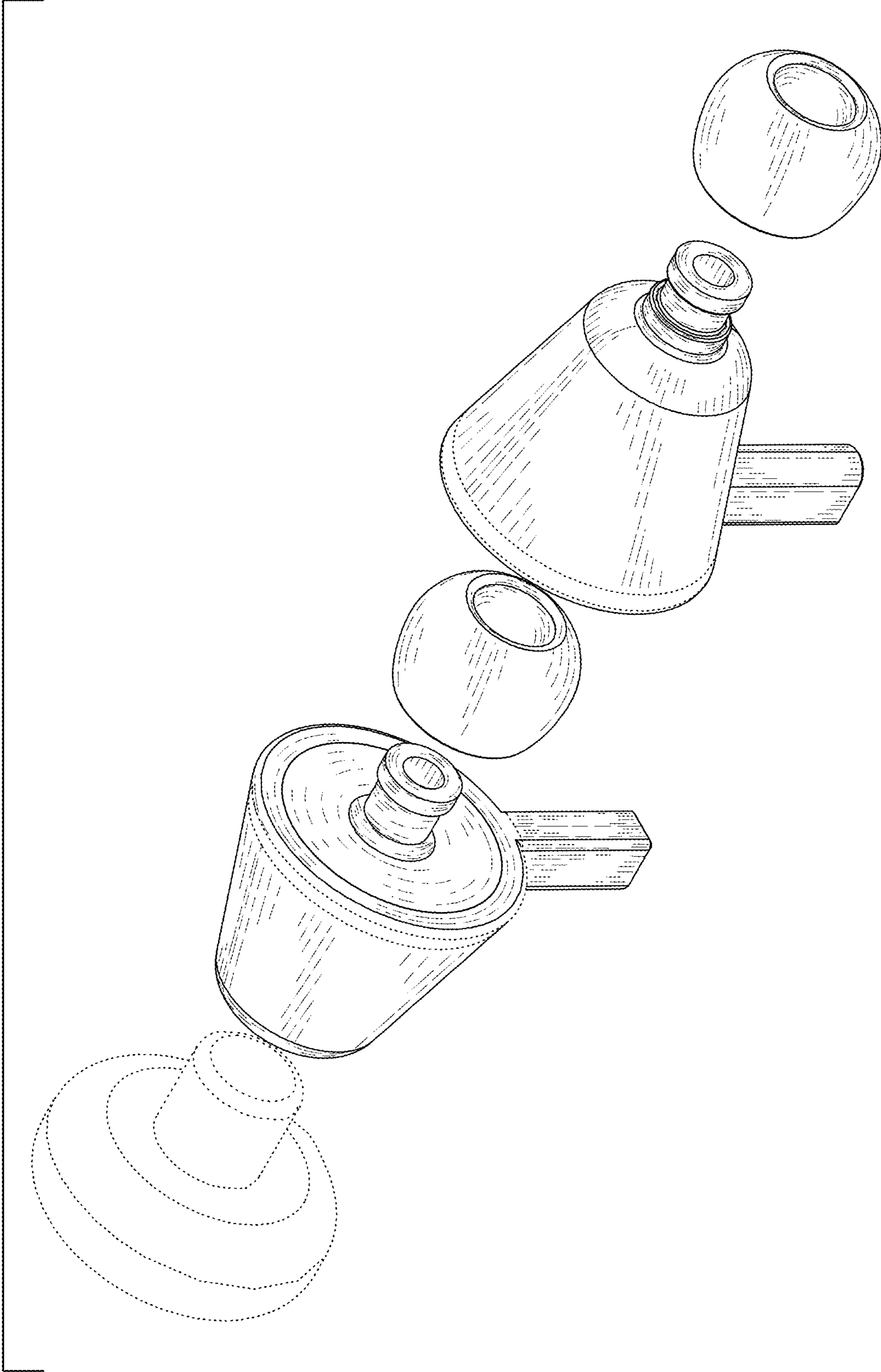


FIG. 1

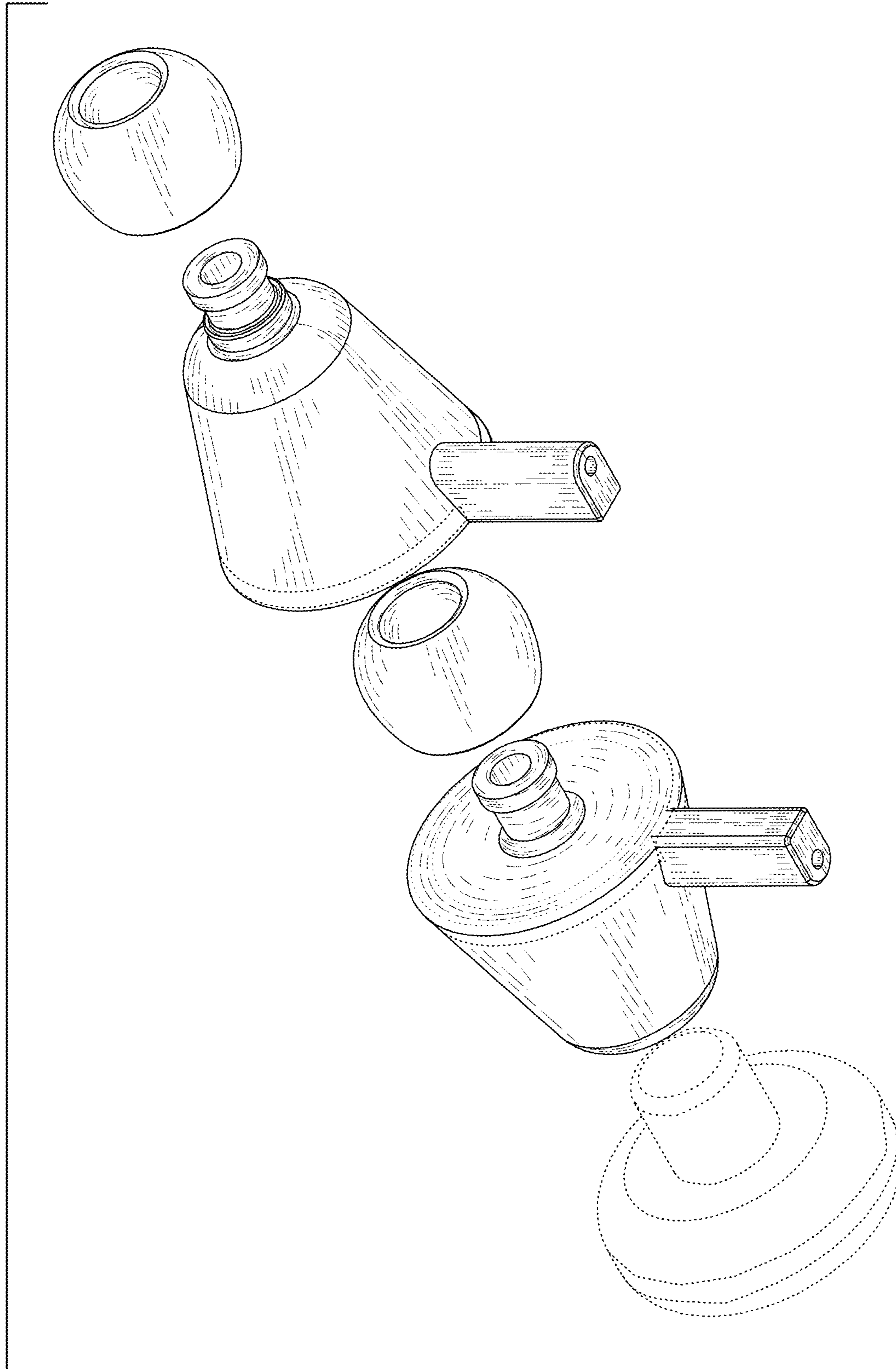


FIG. 2

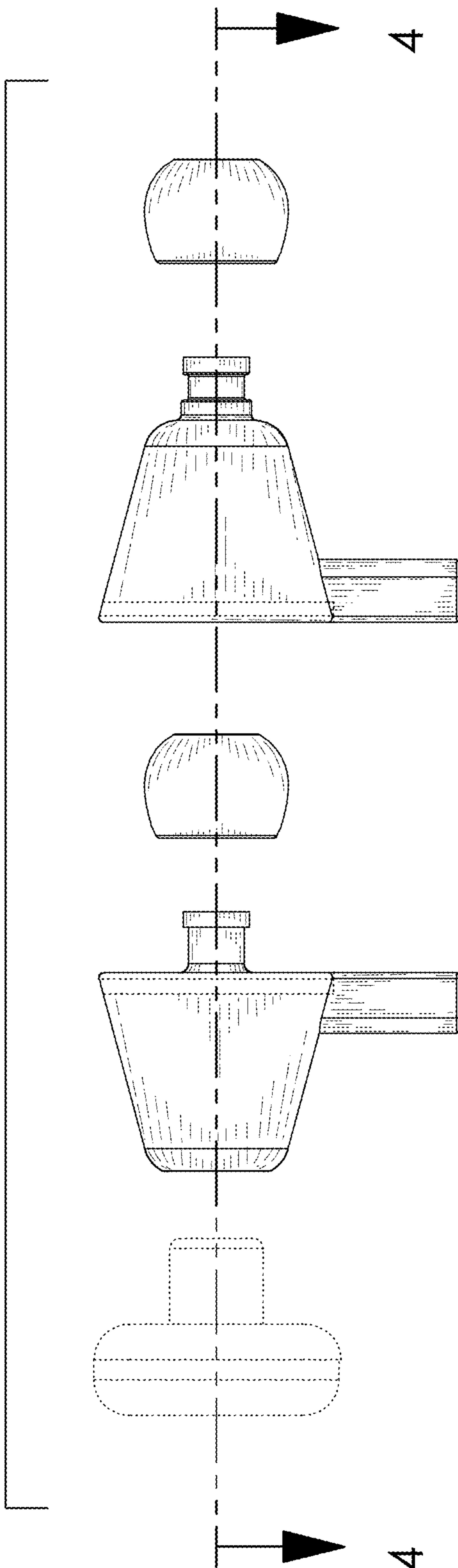


FIG. 3

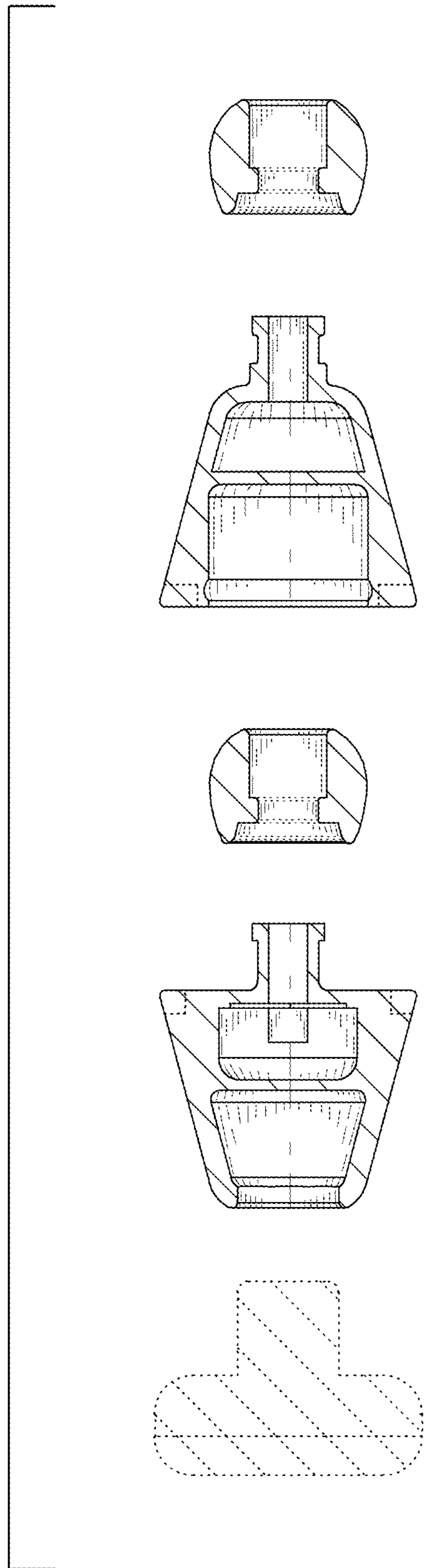


FIG. 4