



US00D874439S

(12) **United States Design Patent** (10) **Patent No.:** **US D874,439 S**
Gong et al. (45) **Date of Patent:** **** Feb. 4, 2020**

(54) **REMOTE CONTROL**

(56) **References Cited**

(71) Applicant: **SHENZHEN ROYOLE TECHNOLOGIES CO. LTD.**,
Shenzhen, Guangdong (CN)

(72) Inventors: **Hanxiang Gong**, Guangdong (CN);
Xinyuan Xia, Guangdong (CN)

(73) Assignee: **SHENZHEN ROYOLE TECHNOLOGIES CO., LTD.**,
Shenzhen (CN)

(**) Term: **15 Years**

(21) Appl. No.: **29/654,353**

(22) Filed: **Jun. 22, 2018**

(30) **Foreign Application Priority Data**

Dec. 28, 2017 (CN) 2017 3 0679391

(51) **LOC (12) Cl.** **14-03**

(52) **U.S. Cl.**
USPC **D14/218**

(58) **Field of Classification Search**
USPC D14/356-358, 388, 389, 400, 402, 405,
D14/408, 411, 432, 454, 460, 496, 217,
D14/218, 299, 147, 148; D21/324-333,
D21/566; D13/123, 162, 162.1, 168,
D13/171-174; D24/184-186; D10/46,
D10/104.1, 106.1, 106.95

CPC . G06F 3/00; G06F 3/002; G06F 3/014; G06F
3/0308; G06F 3/0321; G06F 3/033; G06F
3/0338; G06F 3/03543; G06F 3/03545;
G06F 3/03547; G06F 3/038; G06F 3/039;
G06F 3/041; G06F 3/0414; G06F 3/044;
H04N 5/232

See application file for complete search history.

U.S. PATENT DOCUMENTS

D496,031	S	*	9/2004	Ma	D10/104.1
D520,988	S	*	5/2006	Miller	D14/218
D551,215	S	*	9/2007	Lee, Jr.	D14/218
D568,827	S	*	5/2008	Ikeda	D13/168
D620,456	S	*	7/2010	Akana	D13/168
D628,987	S	*	12/2010	VanDuyn	D14/218
D642,161	S	*	7/2011	Akana	D13/168
D646,280	S	*	10/2011	Yano	D14/188
D647,510	S	*	10/2011	Maier	D14/218
D664,946	S	*	8/2012	Morris	D14/218
D669,452	S	*	10/2012	Akana	D14/218
D679,680	S	*	4/2013	Wood	D14/218
D687,815	S	*	8/2013	Hwangho	D14/218
D695,272	S	*	12/2013	Hansen	D14/218
D703,186	S	*	4/2014	Zaslaysky	D14/218
D704,167	S	*	5/2014	Akana	D14/218

(Continued)

OTHER PUBLICATIONS

Remote controls. (Design—© Questel) orbit.com. [online PDF] 41 pgs. Print Dates Range Jan. 18, 2012 through Nov. 16, 2018. [Retrieved on Sep. 9, 2019] <https://sobjprd.questel.fr/export/QPTUJ214/pdf2/999dfd78-a0e2-4df9-b763-9fd7d5350b4c-213255.pdf>.*

Primary Examiner — Marie D. Fast Horse

(74) *Attorney, Agent, or Firm* — Hauptman Ham, LLP

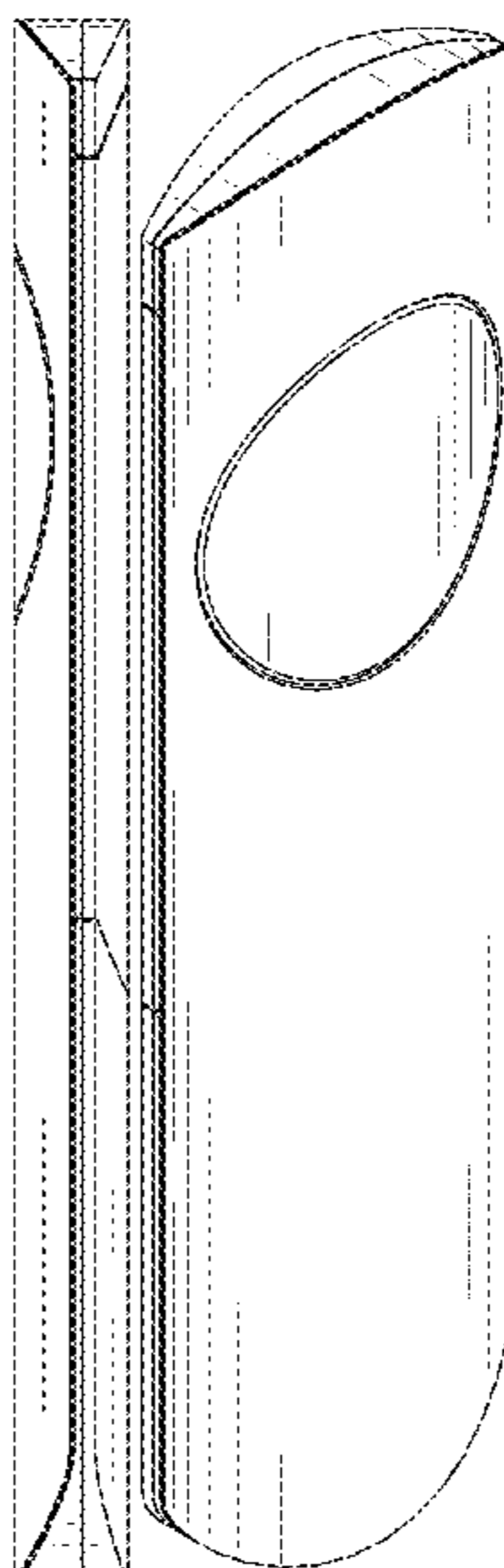
(57) **CLAIM**

The ornamental design for a remote control, as shown.

DESCRIPTION

FIG. 1 is a front view of a remote control bearing the design;
FIG. 2 is a back view thereof;
FIG. 3 is a left side view thereof;
FIG. 4 is a right side view thereof;
FIG. 5 is a top view thereof;
FIG. 6 is a bottom view thereof; and,
FIG. 7 is a front-left-top perspective view thereof.

1 Claim, 5 Drawing Sheets



(56)

References Cited

U.S. PATENT DOCUMENTS

D714,762	S	*	10/2014	O'Neil	D14/218
D722,046	S	*	2/2015	Kuh	D14/218
D723,478	S	*	3/2015	Turksu	D13/168
D733,100	S	*	6/2015	Kim	D14/218
D742,857	S	*	11/2015	Andresen	D14/218
D752,025	S	*	3/2016	Akana	D14/218
D752,555	S	*	3/2016	Langhammer	D14/218
D756,969	S	*	5/2016	Kim	D14/218
D768,605	S	*	10/2016	Wong	D14/218
D777,144	S	*	1/2017	McManigal	D14/218
D778,266	S	*	2/2017	Maier	D14/218
D787,474	S	*	5/2017	Yap	D14/218
D788,743	S	*	6/2017	Cha	D14/218
D793,366	S	*	8/2017	Kato	D14/218
D793,367	S	*	8/2017	Kato	D14/218
D801,311	S	*	10/2017	Akana	D14/218
D816,638	S	*	5/2018	Kim	D14/218
D828,336	S	*	9/2018	Matvienko	D14/218
D836,567	S	*	12/2018	Lee	D13/168
D836,612	S	*	12/2018	Akana	D14/218
D837,747	S	*	1/2019	Lee	D13/168
D858,486	S	*	9/2019	Biddle	D14/218
2017/0213448	A1	*	7/2017	Matvienko	G08C 17/02
2018/0115735	A1	*	4/2018	Hyun	G08C 23/04
2018/0324962	A1	*	11/2018	Sugimoto	H05K 5/0069

* cited by examiner

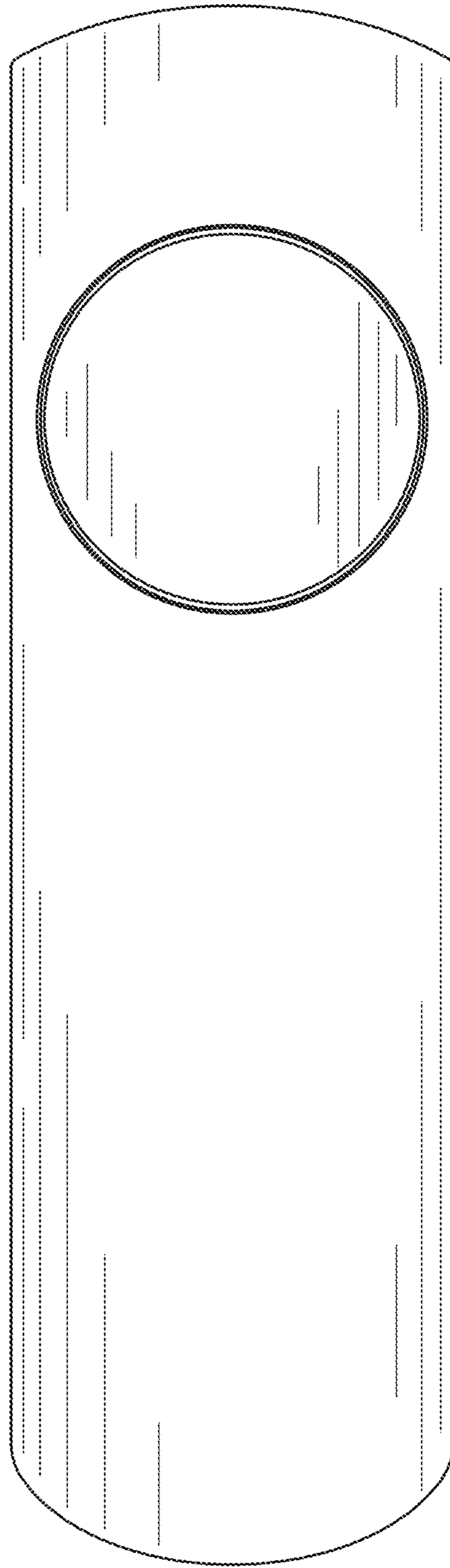


FIG. 1

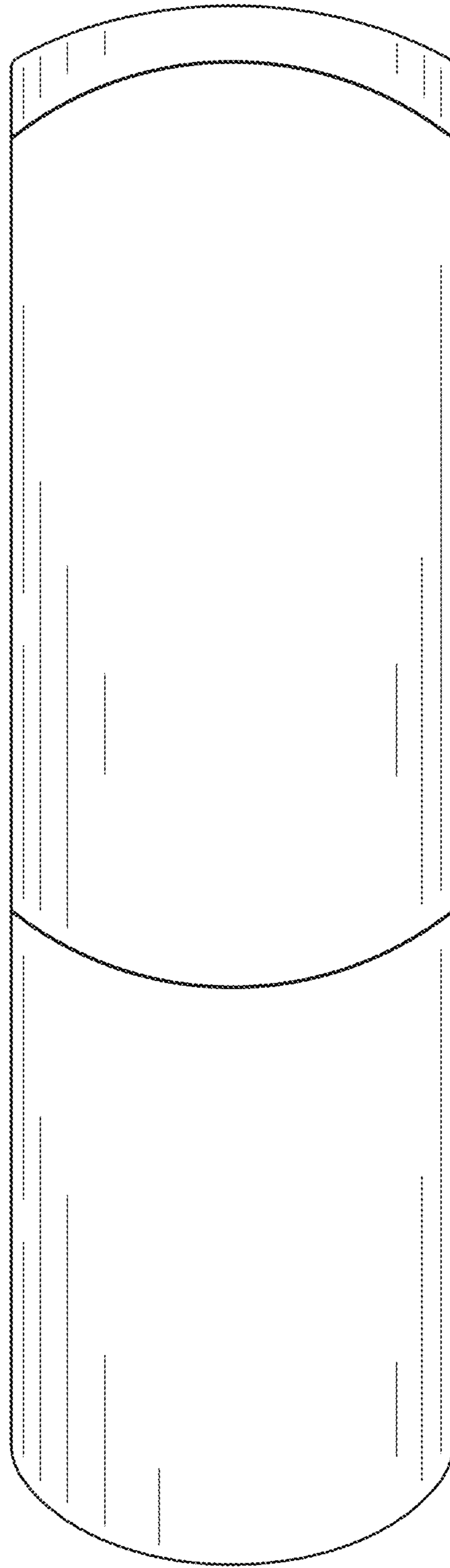


FIG. 2

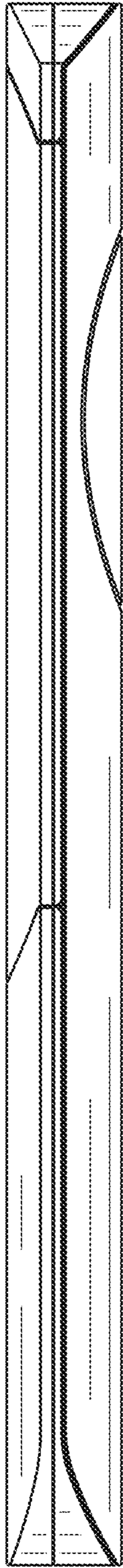


FIG. 3

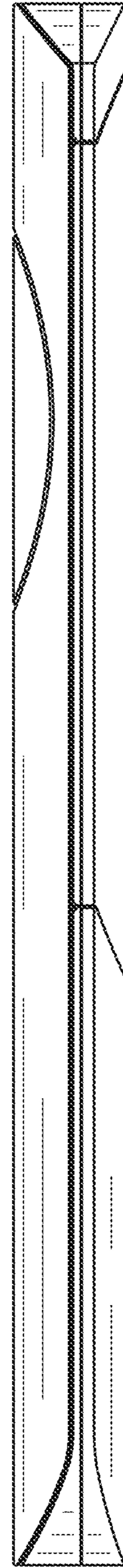


FIG. 4

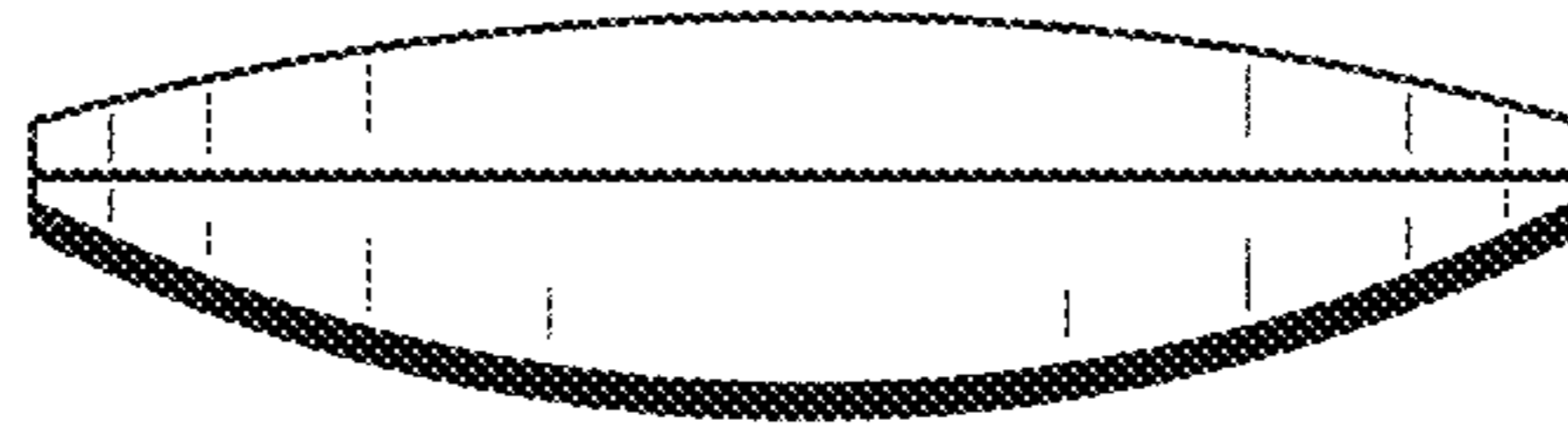


FIG. 5

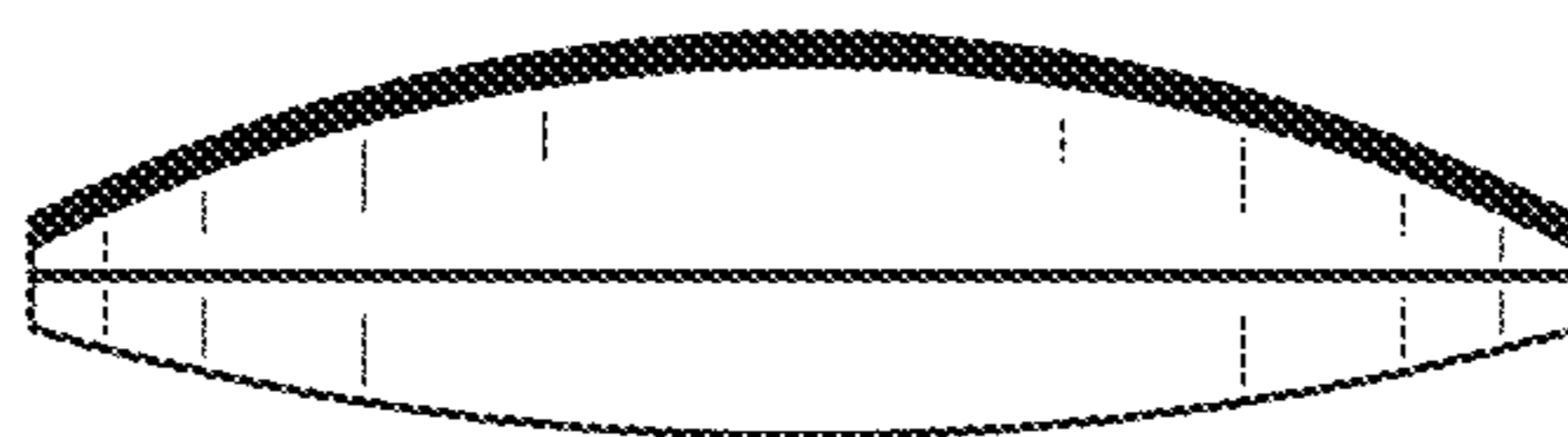


FIG. 6

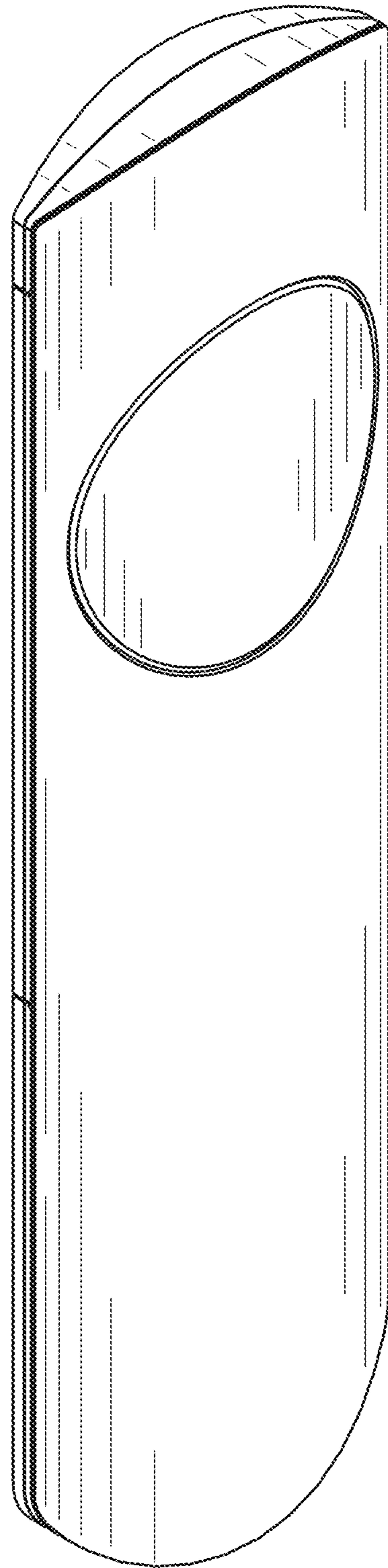


FIG. 7