



US00D874436S

(12) **United States Design Patent**  
**Goltche**

(10) **Patent No.:** **US D874,436 S**

(45) **Date of Patent:** **\*\* Feb. 4, 2020**

(54) **SIREN SPEAKER**

(71) Applicant: **Yehuda Goltche**, Great Neck, NY (US)

(72) Inventor: **Yehuda Goltche**, Great Neck, NY (US)

(\*\*) Term: **15 Years**

(21) Appl. No.: **29/668,505**

(22) Filed: **Oct. 31, 2018**

(51) **LOC (12) Cl.** ..... **14-01**

(52) **U.S. Cl.**  
USPC ..... **D14/215**; D10/120

(58) **Field of Classification Search**

USPC ..... D14/167, 168, 170–172, 188, 194–196,  
D14/204, 209.1, 210–216, 219, 221, 222,  
D14/224, 239, 496; D10/116.1, 120  
CPC ..... B60R 11/0217; G06F 1/1688; G10K 9/22;  
G10K 11/004; H03F 1/327; H04M 1/03;  
H04M 1/035; H04N 5/642; H04N  
21/4852; H04R 1/02; H04R 1/06; H04R  
1/021; H04R 1/025; H04R 1/026; H04R  
1/028; H04R 1/105; H04R 1/323; H04R  
1/403; H04R 1/2803; H04R 5/02; H04R  
7/20; H04R 9/06; H04R 5/025; H04R  
2201/021; H04R 2400/00; H04R 2400/07;  
H04R 2499/11; H04R 2499/13; H04R  
2499/15; H04S 3/00; H04S 7/30

See application file for complete search history.

(56) **References Cited**

**U.S. PATENT DOCUMENTS**

D234,222 S \* 1/1975 Oakley ..... D26/41  
D397,635 S \* 9/1998 Chu ..... D10/120

D516,448 S \* 3/2006 Lai ..... D10/120  
D569,847 S \* 5/2008 Miyawaki ..... D14/211  
D626,938 S \* 11/2010 Moore ..... D14/214  
D639,688 S \* 6/2011 Neufeglise ..... D10/116.1  
D711,853 S \* 8/2014 Miyata ..... H04R 1/02  
D14/204  
D744,977 S \* 12/2015 Wagner ..... D14/204  
D748,600 S \* 2/2016 Deyaf ..... D14/204  
D796,367 S \* 9/2017 Neufeglise ..... D10/120  
D813,198 S \* 3/2018 Lin ..... D14/214

\* cited by examiner

*Primary Examiner* — Keli L Hill

(74) *Attorney, Agent, or Firm* — Dunlap Bennett &  
Ludwig PLLC

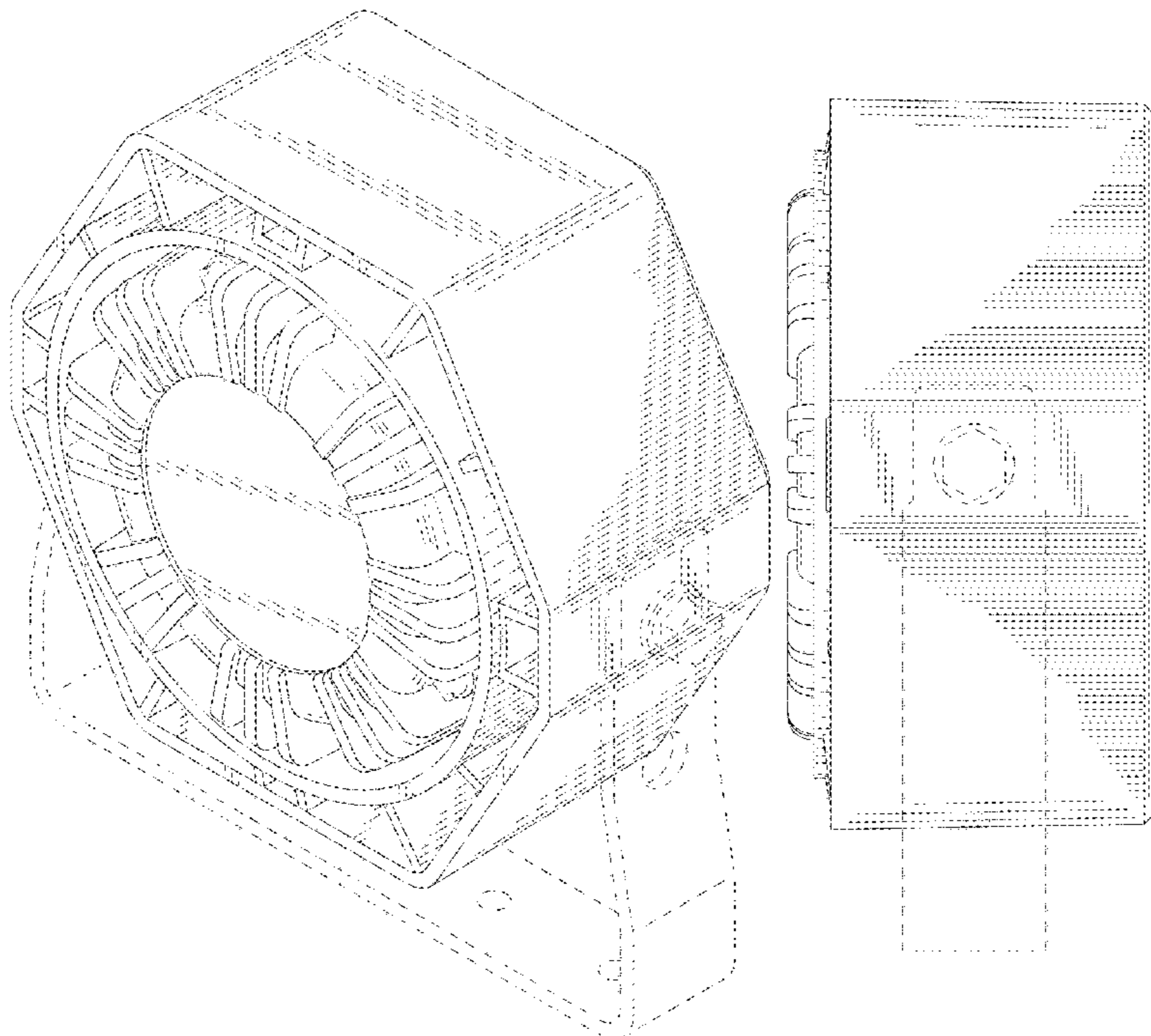
(57) **CLAIM**

The ornamental design for a siren speaker, as shown and described.

**DESCRIPTION**

FIG. 1 is a top front perspective view of a siren speaker, showing my new design;  
FIG. 2 is a front elevation view thereof;  
FIG. 3 is a rear elevation view thereof;  
FIG. 4 is a right elevation view thereof, the left elevation view being a mirror image thereof;  
FIG. 5 is a top plan view thereof; and,  
FIG. 6 is a bottom plan view thereof.  
The broken lines shown in the drawings depict portions of the siren speaker that form no part of the claimed design.

**1 Claim, 5 Drawing Sheets**



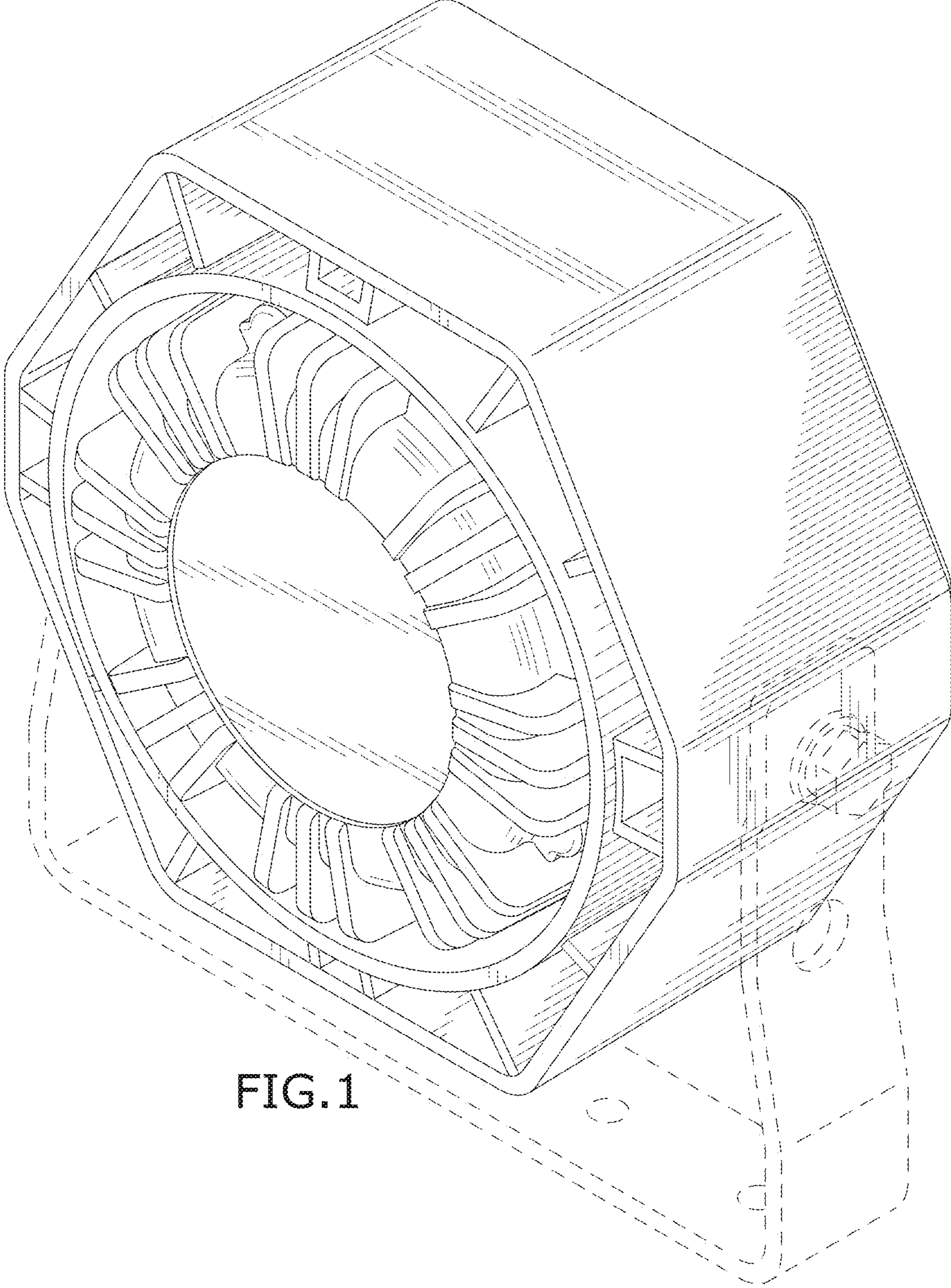


FIG. 1

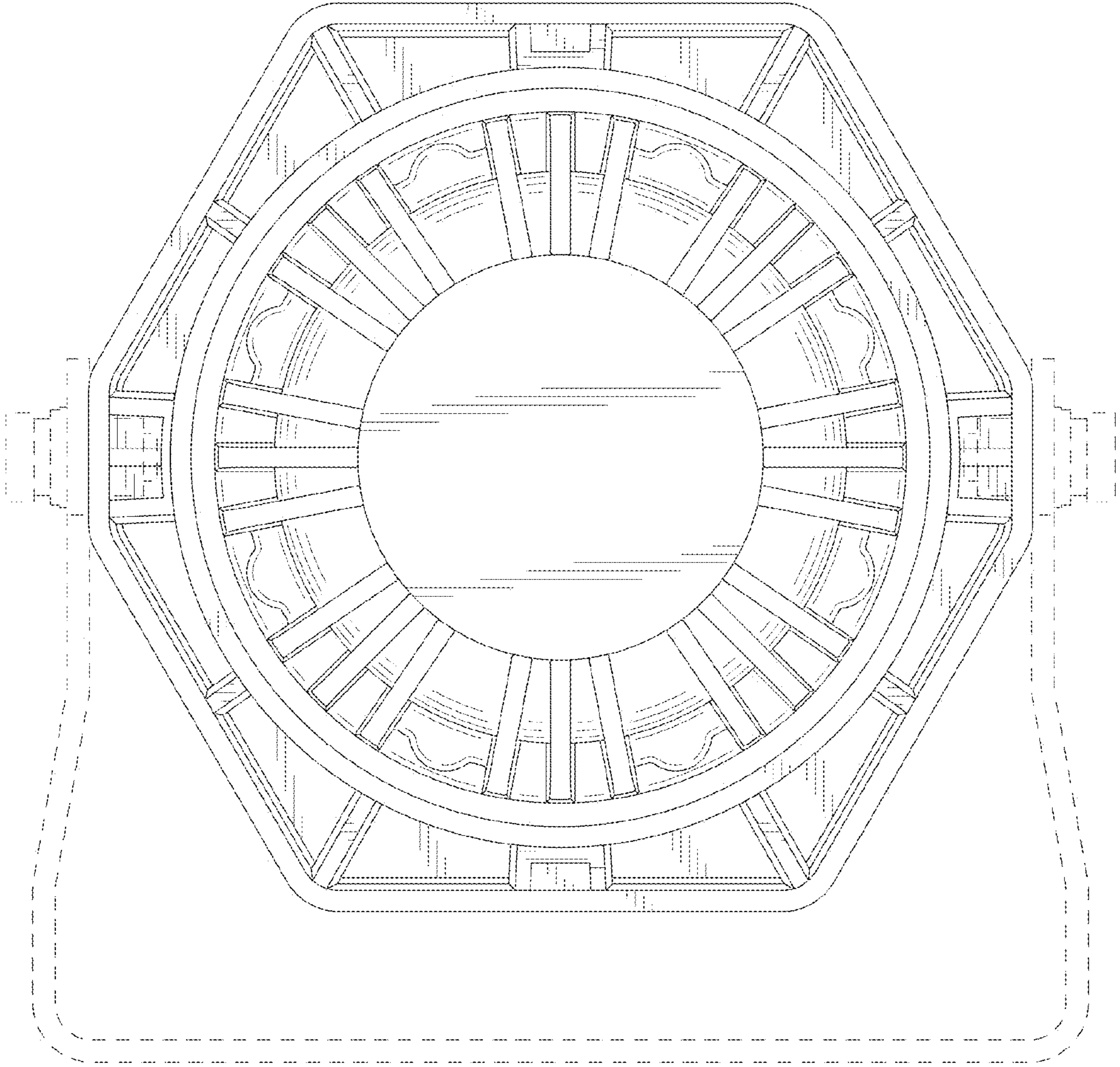


FIG.2

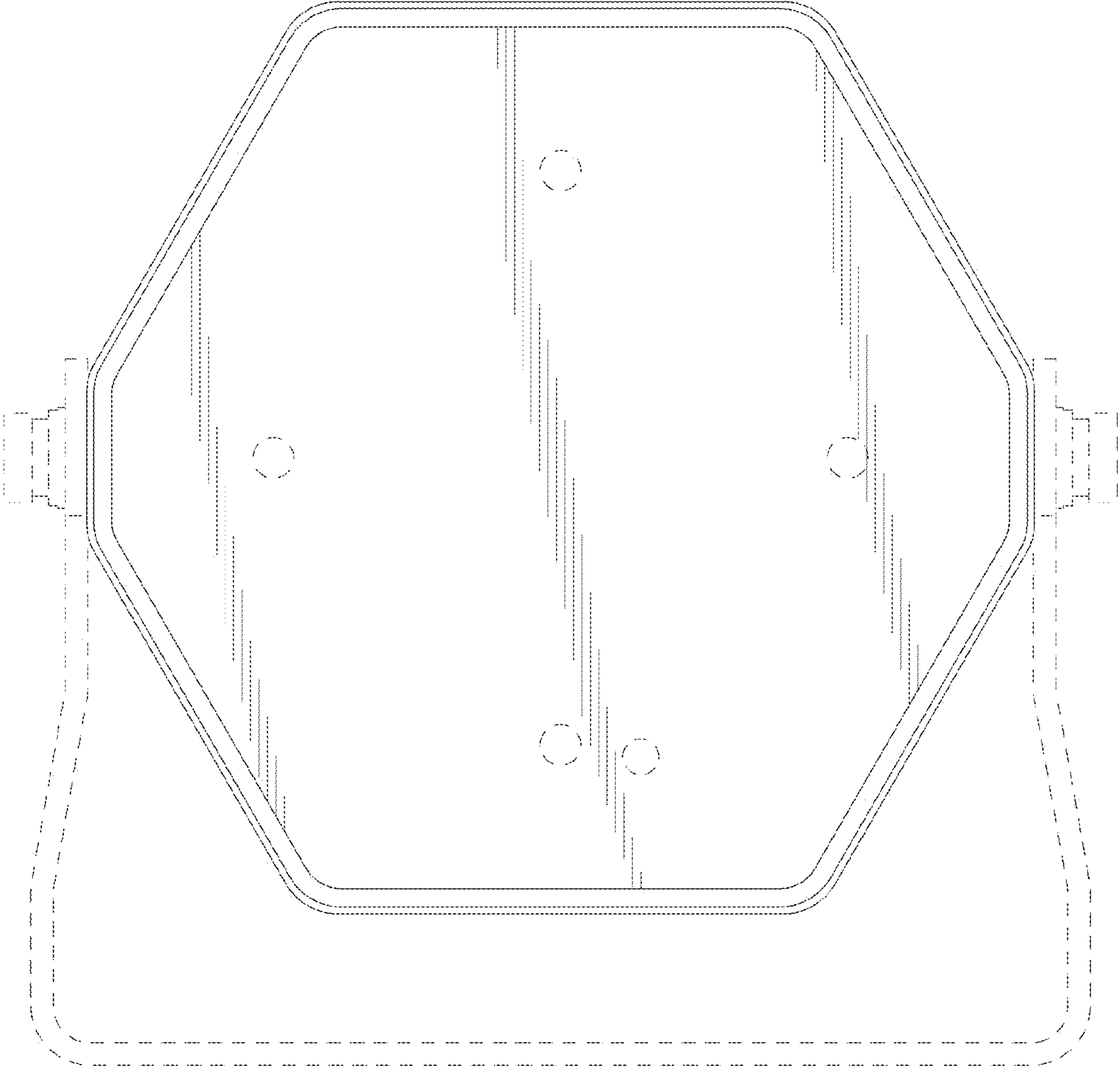


FIG.3

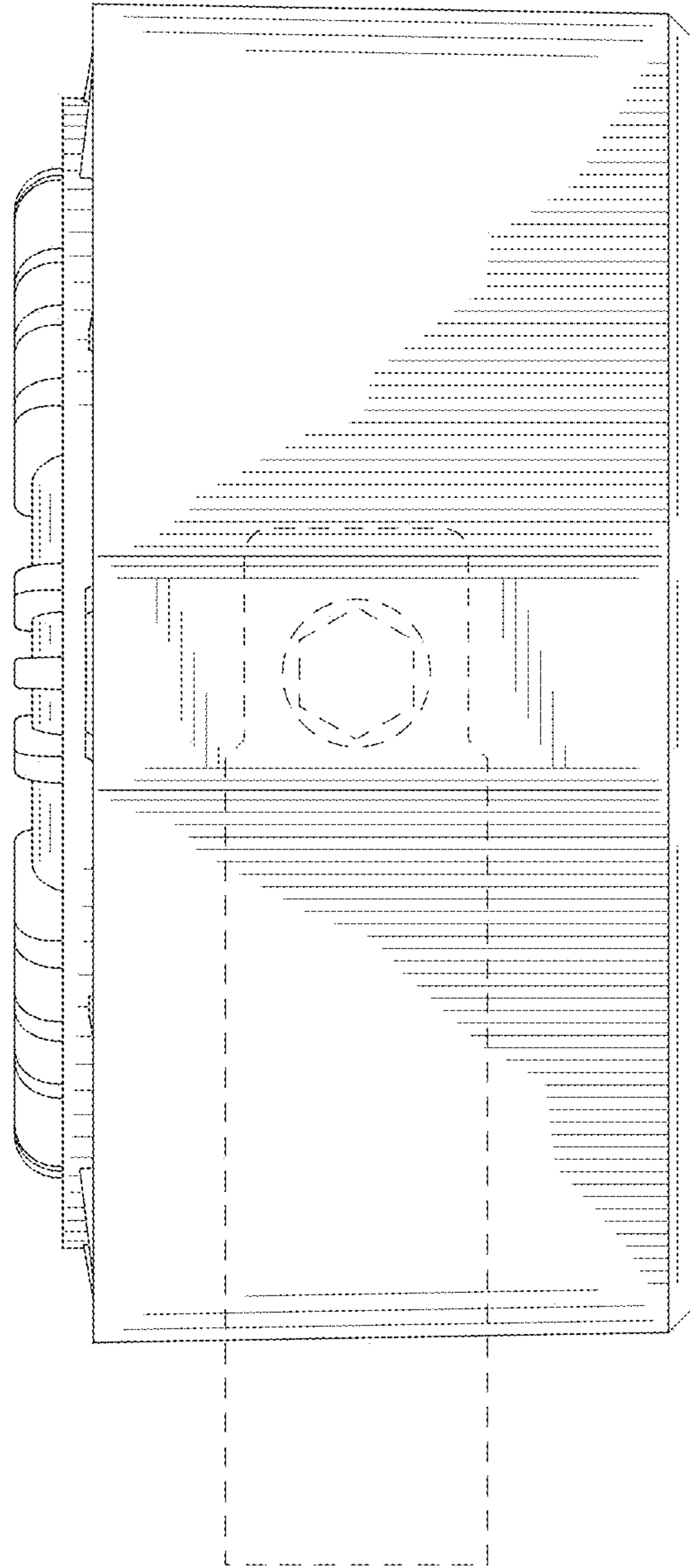


FIG.4

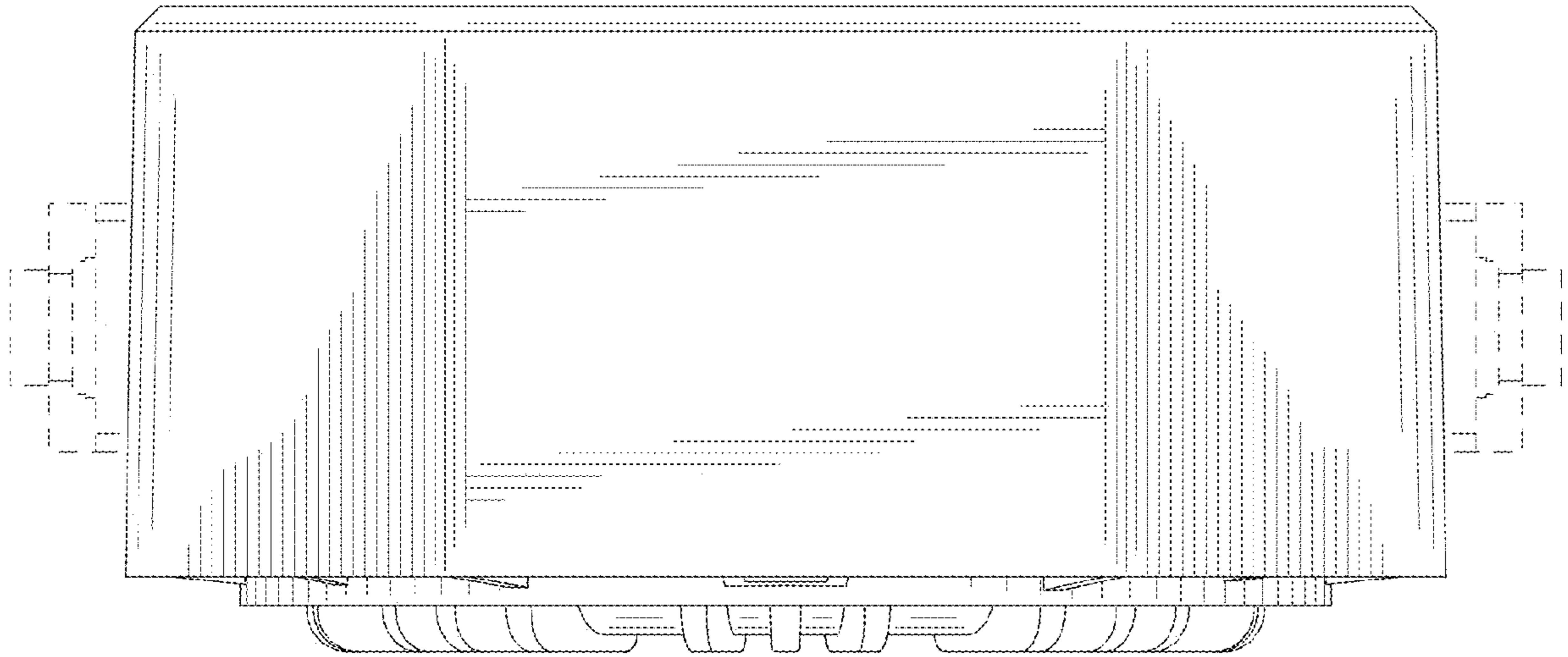


FIG. 5

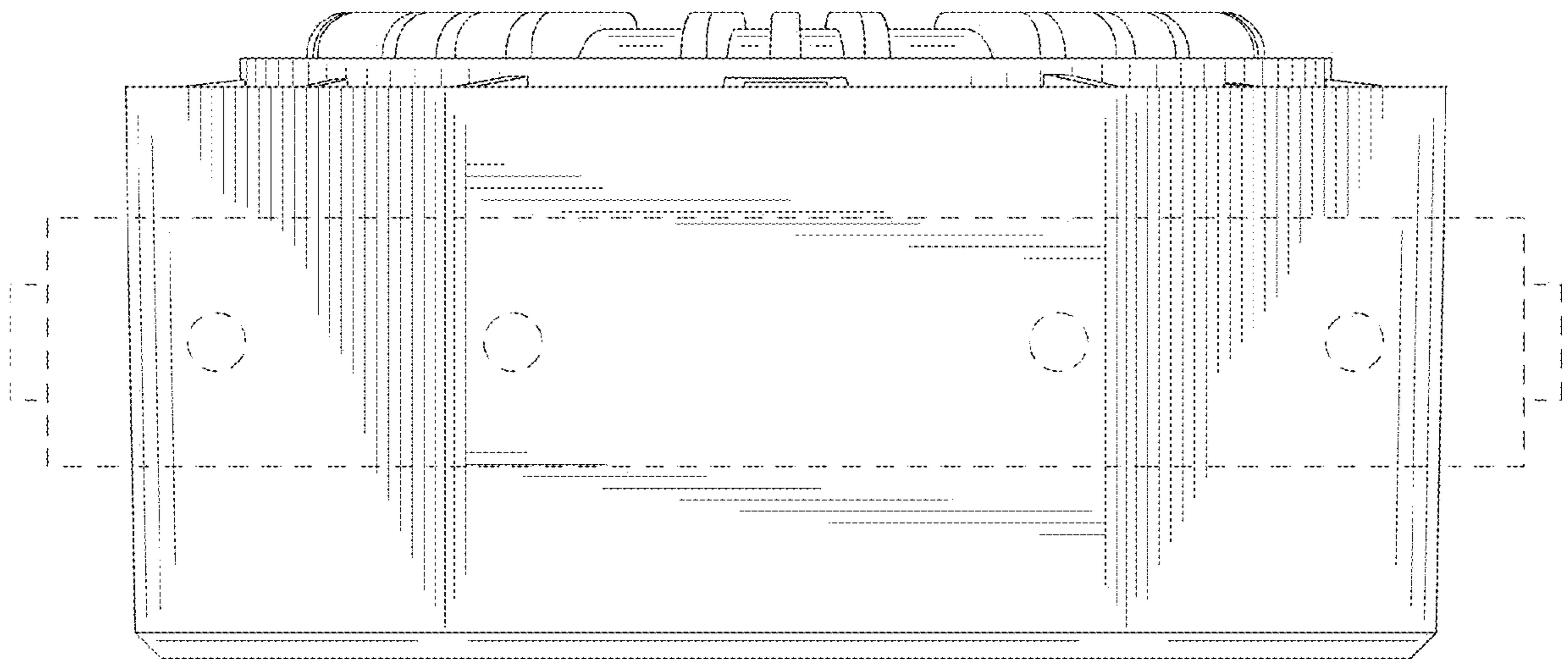


FIG. 6