



US00D874434S

(12) **United States Design Patent** (10) **Patent No.:** **US D874,434 S**
Maruoka (45) **Date of Patent:** **** Feb. 4, 2020**

(54) **SPEAKER**
(71) Applicant: **YAMAHA CORPORATION**,
Hamamatsu-shi, Shizuoka (JP)
(72) Inventor: **Moe Maruoka**, Hamamatsu (JP)
(73) Assignee: **YAMAHA CORPORATION**,
Hamamatsu-shi, Shizuoka (JP)
(**) Term: **15 Years**
(21) Appl. No.: **29/654,477**
(22) Filed: **Jun. 25, 2018**
(30) **Foreign Application Priority Data**

Dec. 26, 2017 (JP) 2017-029144

(51) **LOC (12) Cl.** **14-01**
(52) **U.S. Cl.**
USPC **D14/214**

(58) **Field of Classification Search**
USPC D14/204, 496, 214, 172, 216
CPC H45K 5/0086; H04R 1/02; H04R 1/021;
H04R 1/026; H04R 1/028; H04R 1/403;
H04R 1/2803; H04R 5/02; H04R 9/06;
H04R 9/13; H04R 2201/021; H04R
2400/00; H04R 2499/11
See application file for complete search history.

(56) **References Cited**

U.S. PATENT DOCUMENTS

7,653,208 B2 * 1/2010 Guenther H04R 1/2834
381/386
D669,500 S * 10/2012 Dangerfield D14/203.1
D707,202 S * 6/2014 McManigal D14/214
D722,053 S * 2/2015 Wang D14/358
D724,563 S * 3/2015 Kim D14/214
D725,624 S * 3/2015 Carney D14/140

D754,101 S * 4/2016 McManigal D14/214
D778,986 S * 2/2017 Kacin D19/77
D785,365 S * 5/2017 Newlin D6/526
D790,508 S * 6/2017 Lewis D14/204
D791,214 S * 7/2017 Park D16/230
D804,460 S * 12/2017 Li D14/242
D807,879 S * 1/2018 Kacin D14/356
D820,197 S * 6/2018 Luke D13/103
D826,296 S * 8/2018 Noorazar D15/122
D830,989 S * 10/2018 McManigal D14/204
D836,087 S * 12/2018 DePasquale D14/214
D838,252 S * 1/2019 Shin D14/125
D855,028 S * 7/2019 Green D14/125
D855,078 S * 7/2019 Johnson D14/496
D856,975 S * 8/2019 Bang D14/215
D856,976 S * 8/2019 Kang D14/215
D859,361 S * 9/2019 Bang D14/215
D859,362 S * 9/2019 Bang D14/215
2012/0300962 A1 * 11/2012 Devoto H04R 5/02
381/300

(Continued)

Primary Examiner — Cynthia R Underwood

(74) *Attorney, Agent, or Firm* — Sughrue Mion, PLLC

(57) **CLAIM**

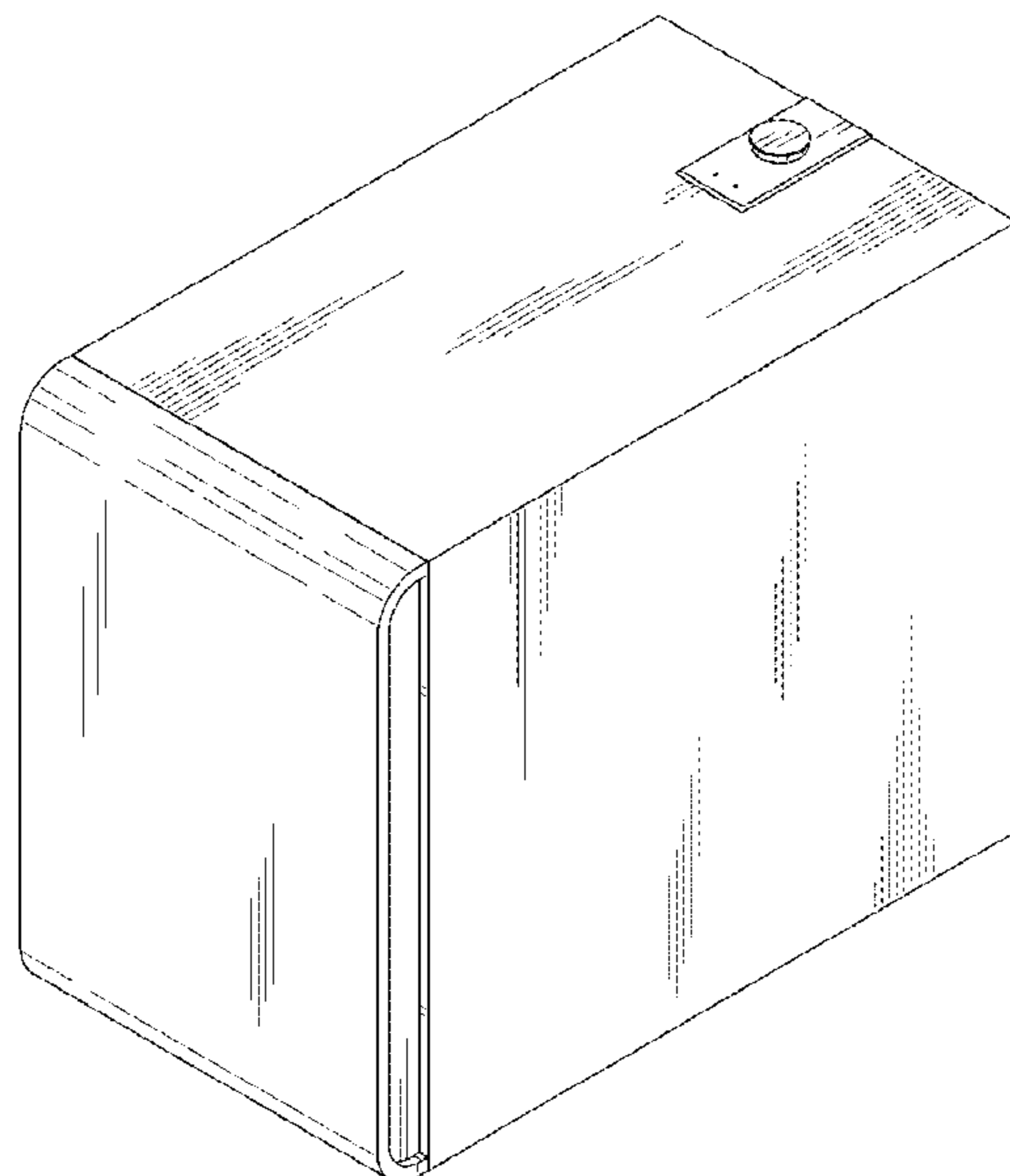
The ornamental design for a speaker, as shown and described.

DESCRIPTION

FIG. 1 is a perspective view of the front, top and right side of a speaker showing my new design;
FIG. 2 is a front view thereof;
FIG. 3 is a rear view thereof;
FIG. 4 is a right side view thereof, the left side being a mirror image;
FIG. 5 is a top view thereof; and,
FIG. 6 is a bottom view thereof.

The broken line showing of the speaker is included for the purpose of illustrating portions of the speaker and forms no part of the claimed design.

1 Claim, 4 Drawing Sheets



(56)

References Cited

U.S. PATENT DOCUMENTS

2015/0271937 A1* 9/2015 Zheng G06F 1/181
312/293.2

* cited by examiner

FIG. 1

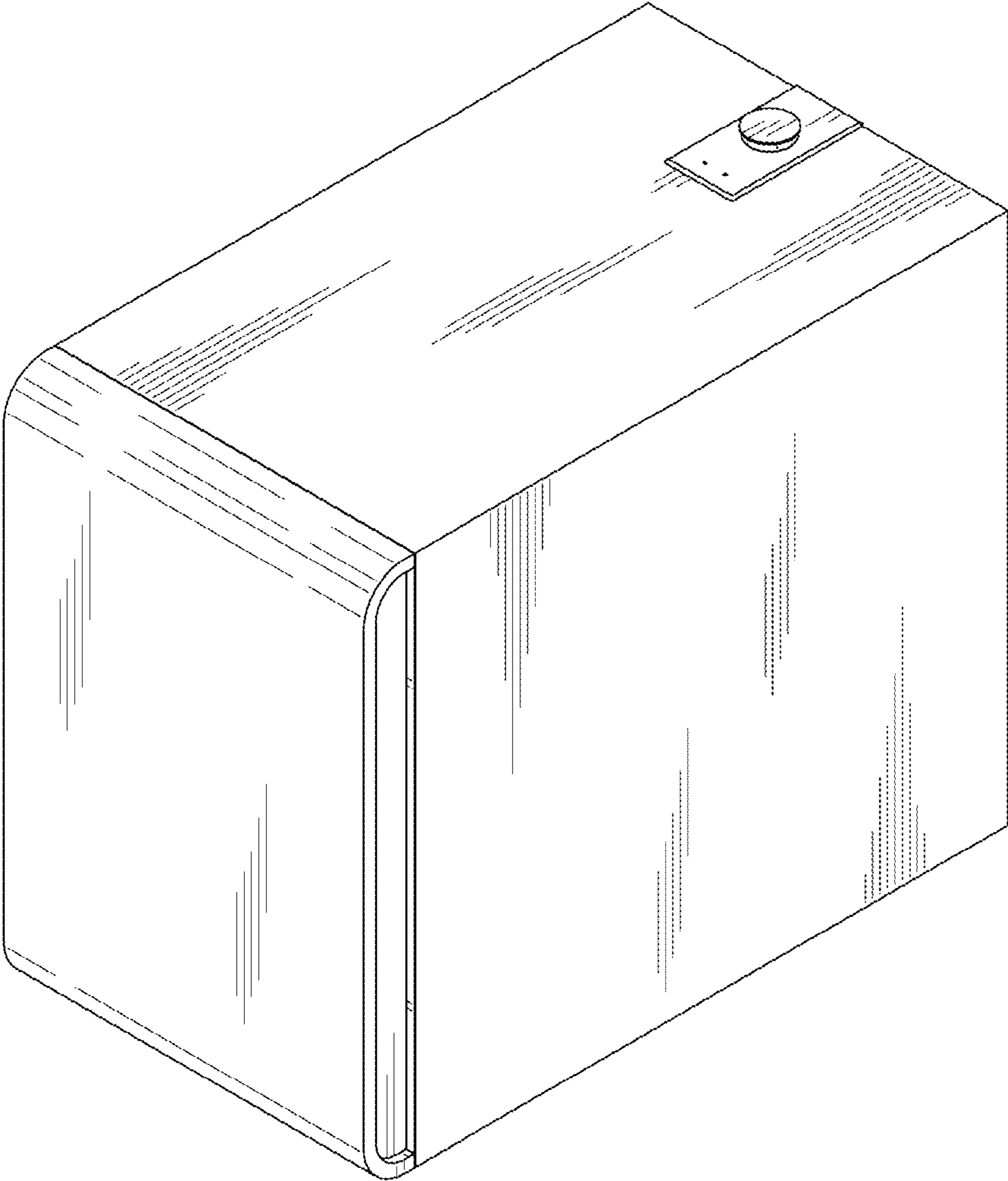


FIG. 2

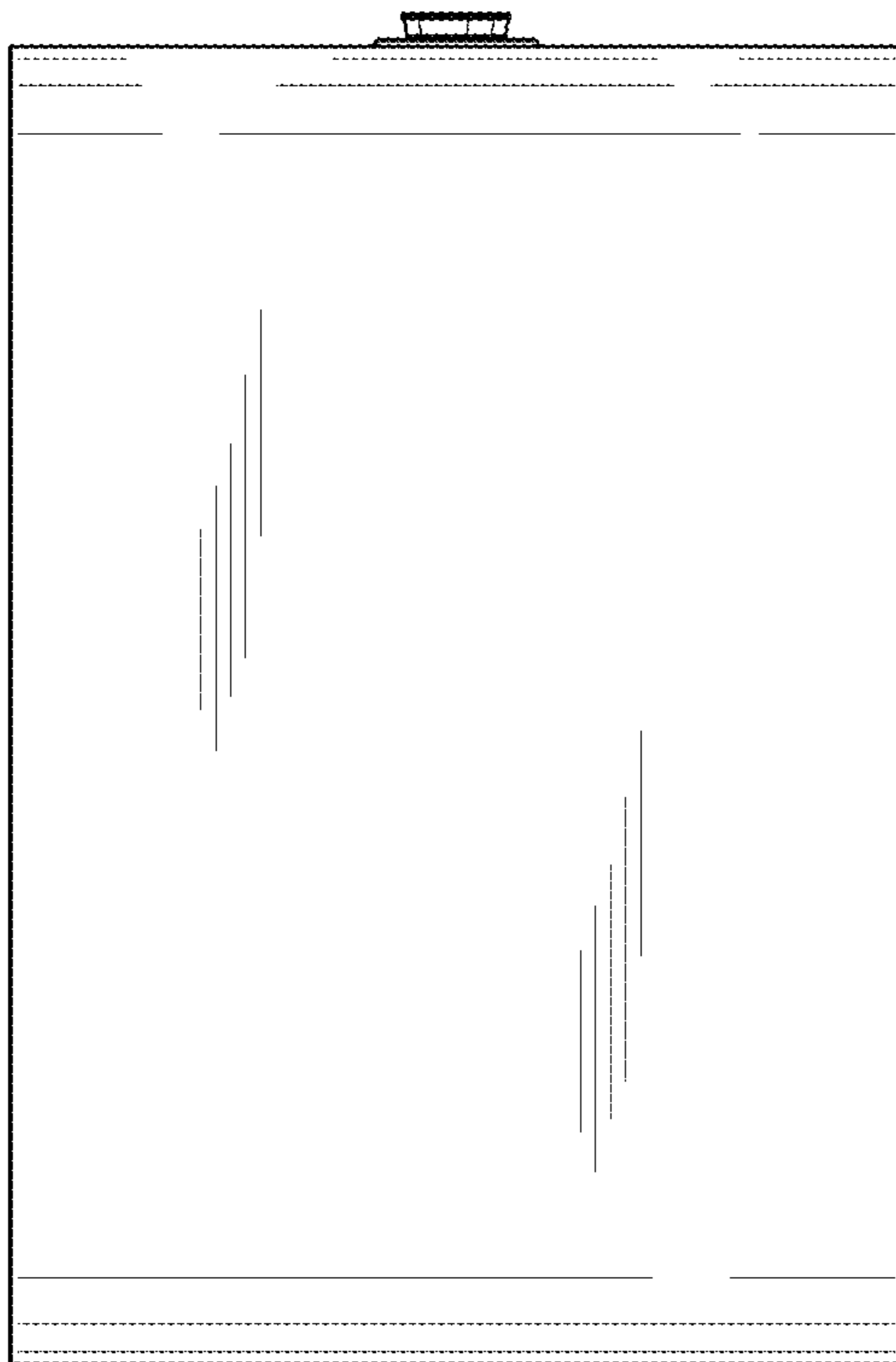


FIG. 3

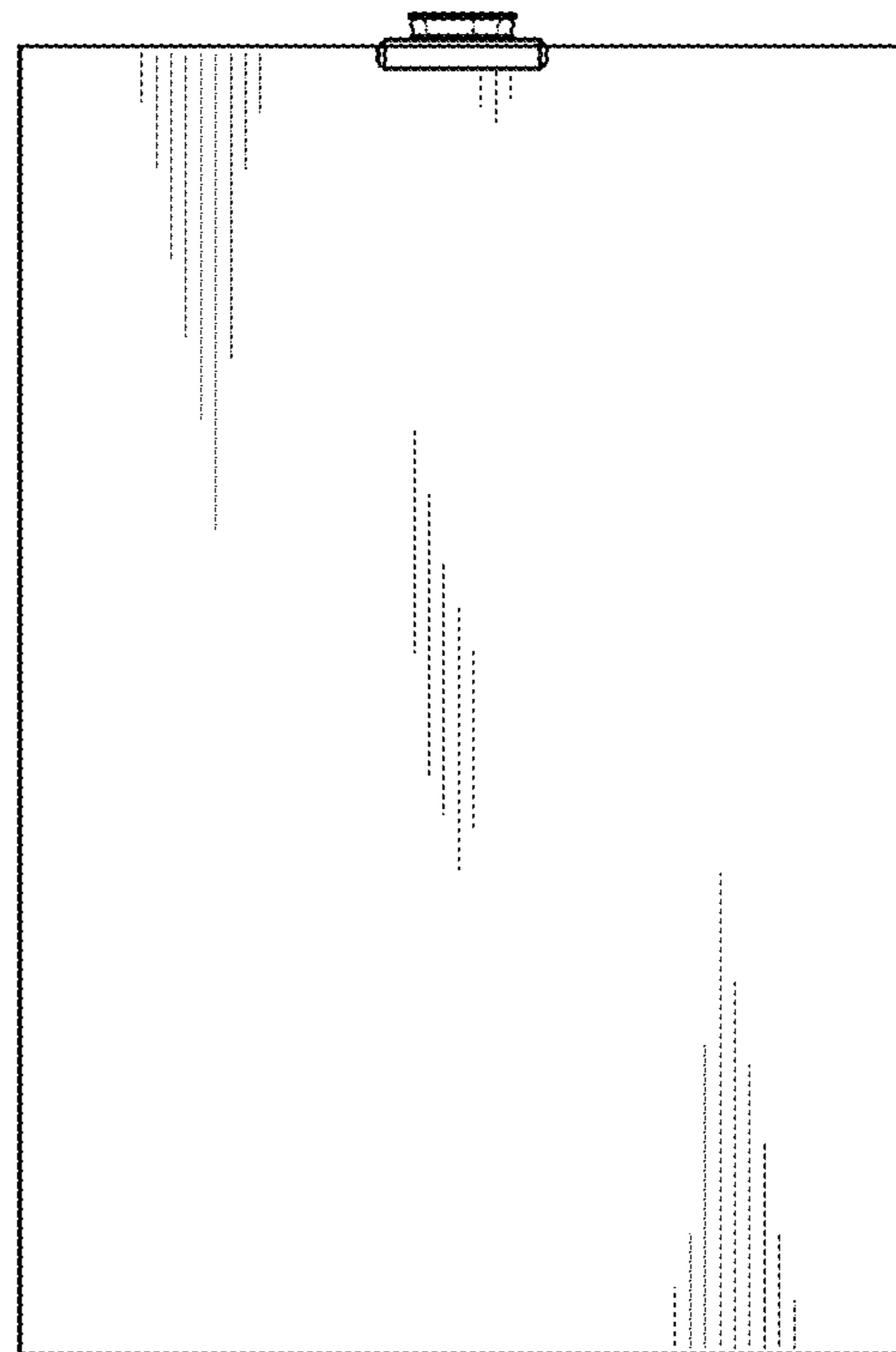


FIG. 4

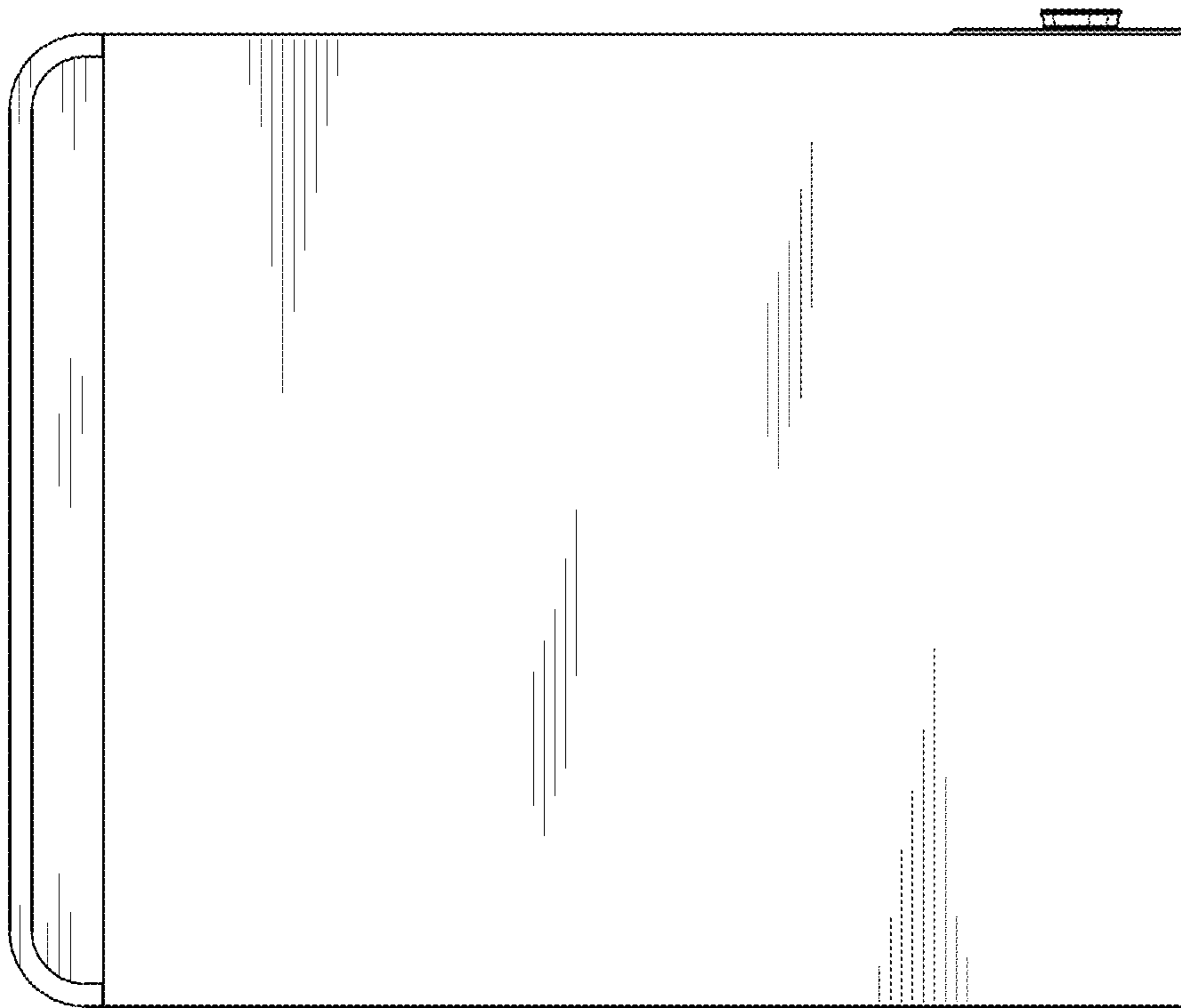


FIG. 5

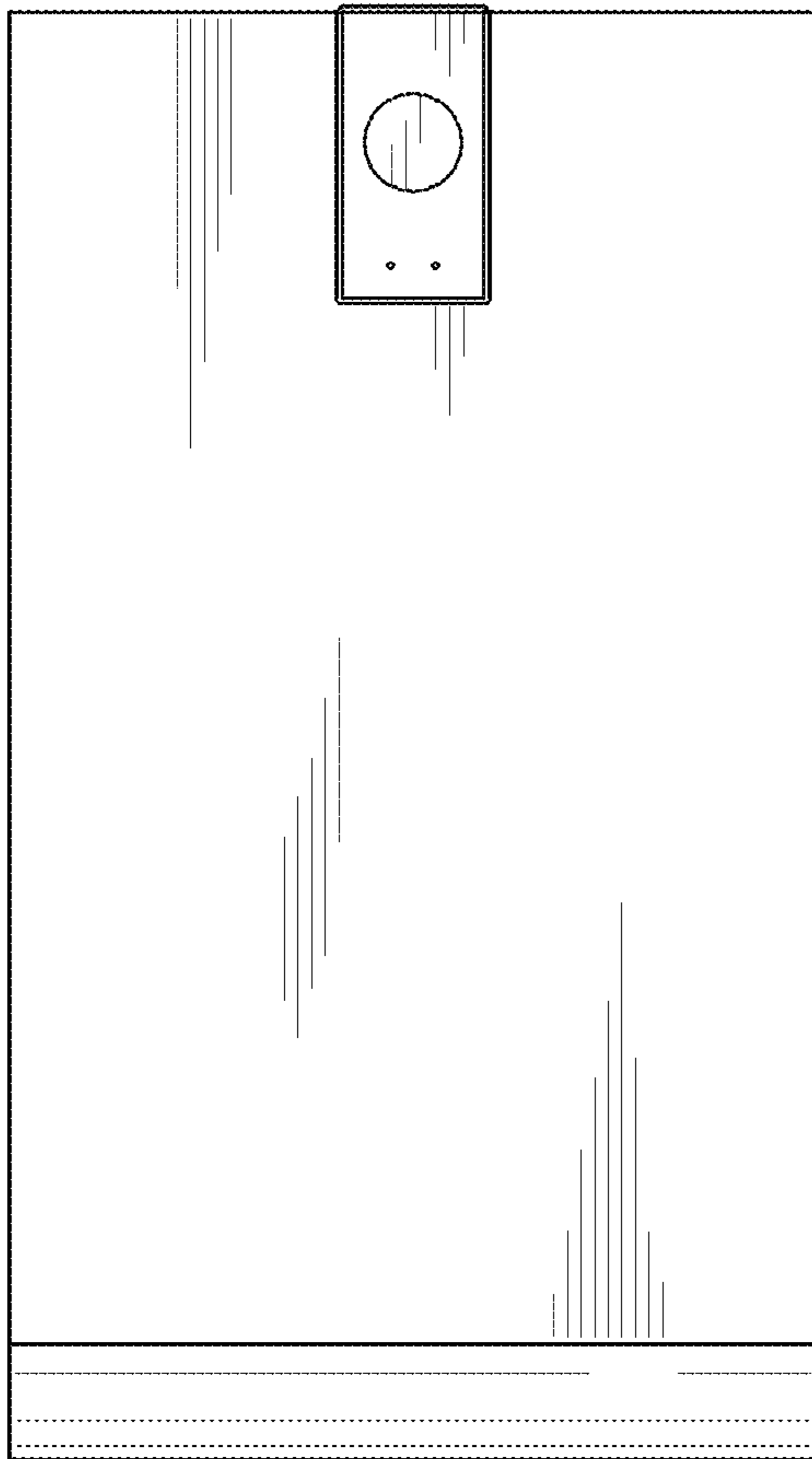


FIG. 6

